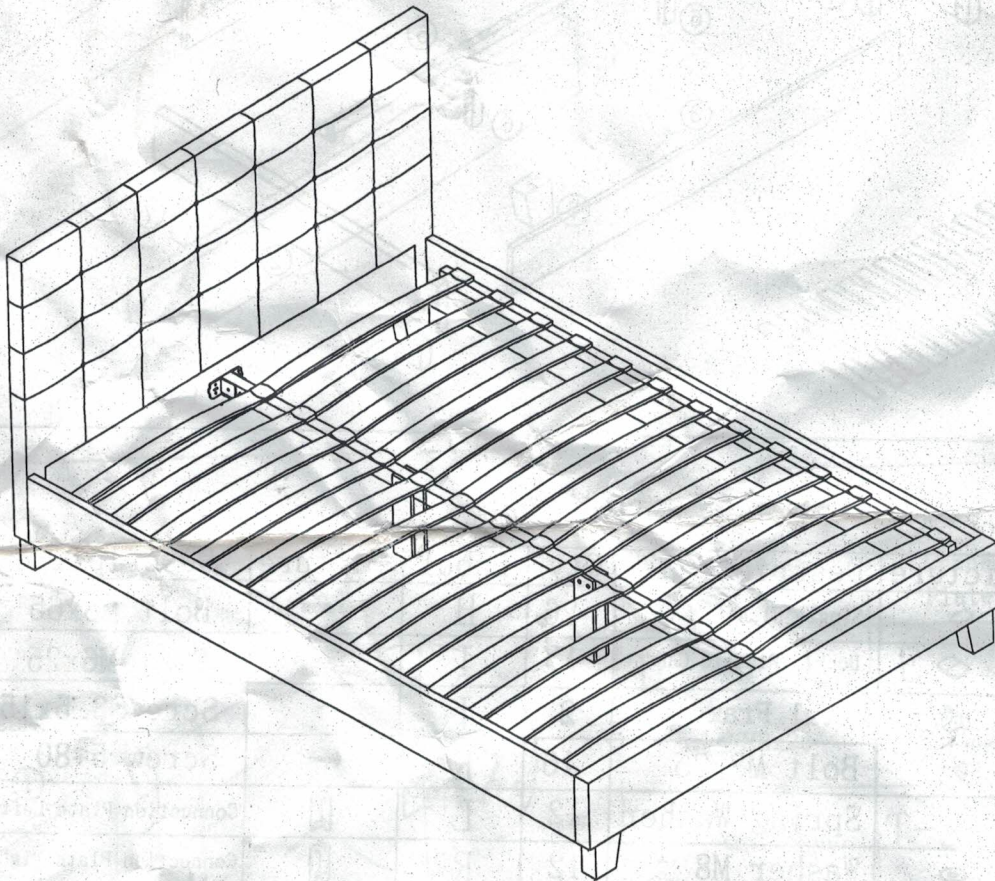
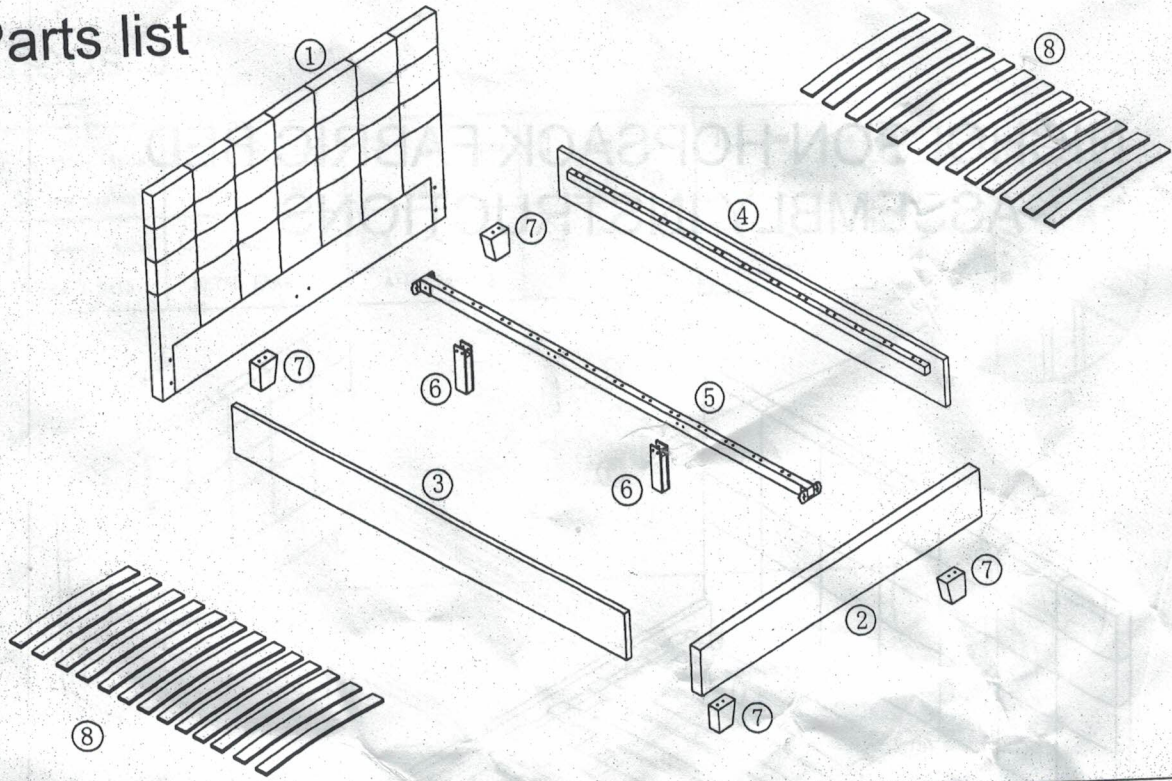


NICHOLSON HOPSACK FABRIC BED ASSEMBLY INSTRUCTIONS



NICHOLSON BED IS FOR DOMESTIC USE
AND STRICTLY NOT FOR CONTRACT USE.

Parts list



Hardware list

| Label | Picture | Description | Qty | Label | Picture | Description | Qty |
|-------|---------|--------------------|-----|-------|---------|------------------------|-----|
| A | | Single Plastic CAP | 26 | H | | Bolt M8x65 | 4 |
| B | | Double Plastic CAP | 13 | I | | Bolt M6x25 | 4 |
| C | | Metal Frame "U" | 2 | J | | Screw 3.5x15 | 4 |
| D | | Bolt M8x25 | 16 | K | | Screw 5*80 | 8 |
| E | | Spring Washer | 12 | L | | Connection Plate Left | 2 |
| F | | Washer M8 | 12 | R | | Connection Plate Right | 2 |
| G | | NUT | 4 | | | | |

TOOL list

| Label | Picture | Description | Qty |
|-------|---------|-----------------------------|-----|
| T-1 | | Screw driver (not provided) | 1 |
| T-2 | | Allen key M5 | 1 |
| T-3 | | Allen key M4 | 1 |
| T-4 | | SPANNER | 1 |

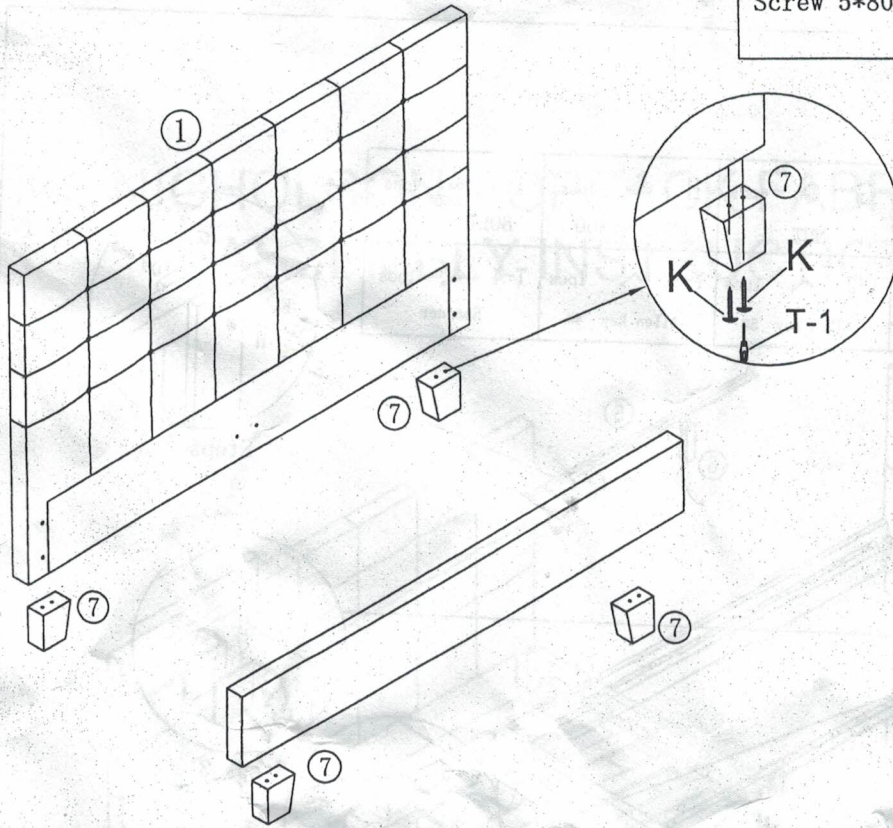
Steps 1

K ← 8 pcs

T-1 ← 1 pcs

Screw 5*80

Screw driver
(not provided)



Steps 2

L ← 2 pcs
Connection Plate Left

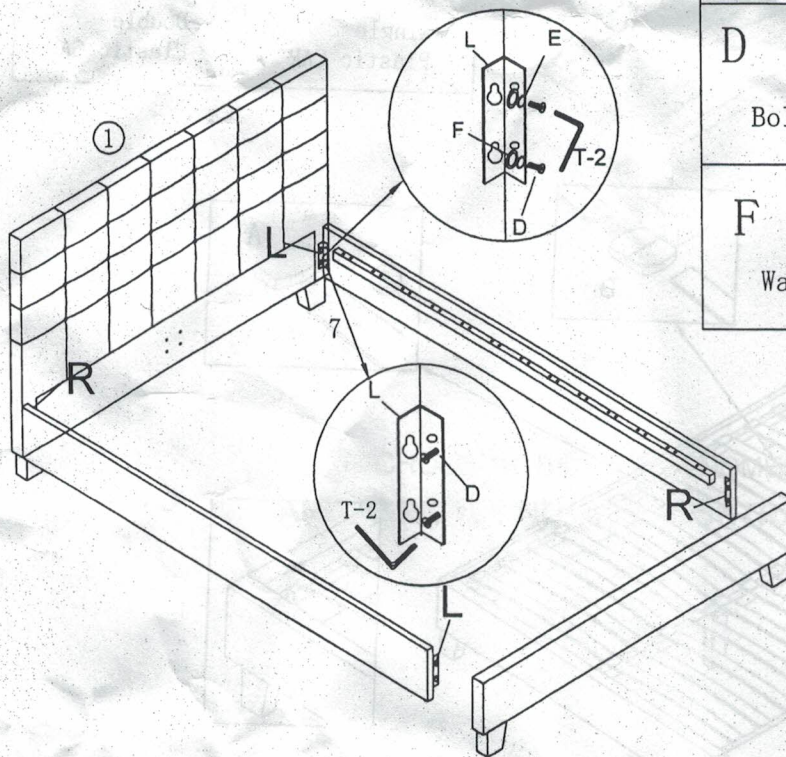
R ← 2 pcs
Connection Plate Right

D ← 16 pcs
Bolt M8x25

E ← 8 pcs
Spring Washer

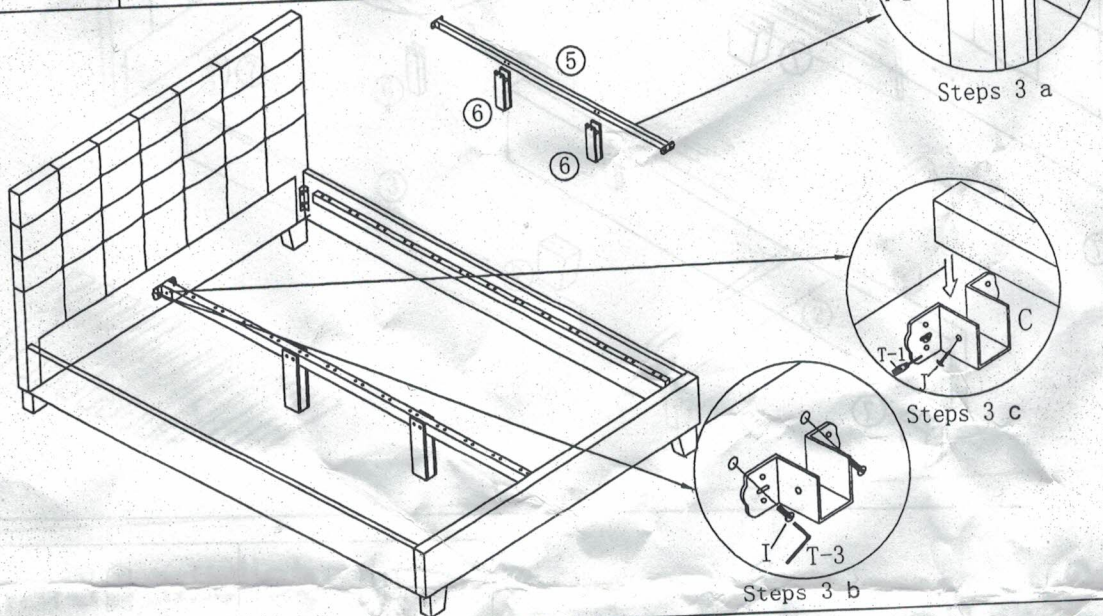
F ← 8 pcs
Washer M8

T-2 ← 1 pcs
Allen key 5#



Steps 3

| | | | | |
|-------------------------|---------------------------|--------------------------|--------------------------|----------------------|
| E 4pcs Spring Washer | F 4pcs Washer M8 | G 4pcs NUT | H 4pcs BOLT M8x60 | I 4pcs BOLT M6x25 |
| J 4pcs Screw 3.5x15 | C 2pcs METAL FRAME "U" | T-2 1pcs Allen key 5# | T-3 1pcs Allen key 4# | T-4 1pcs Spanner |



Steps 4

| | |
|-------------------------------|-------------------------------|
| A 26pcs Single Plastic CAP | B 13pcs Double Plastic CAP |
|-------------------------------|-------------------------------|

