

# ASSEMBLY INSTRUCTIONS

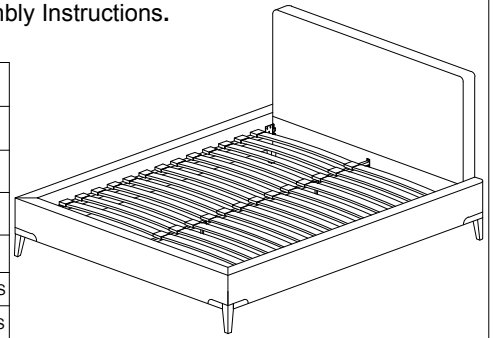
MODEL : ANDROMEDA (ARIZONA)

Thank you for purchasing this quality product. Be sure to lay all components on a soft and clean surface before assembly in order to avoid components from being scratched.

## CAUTIONS :

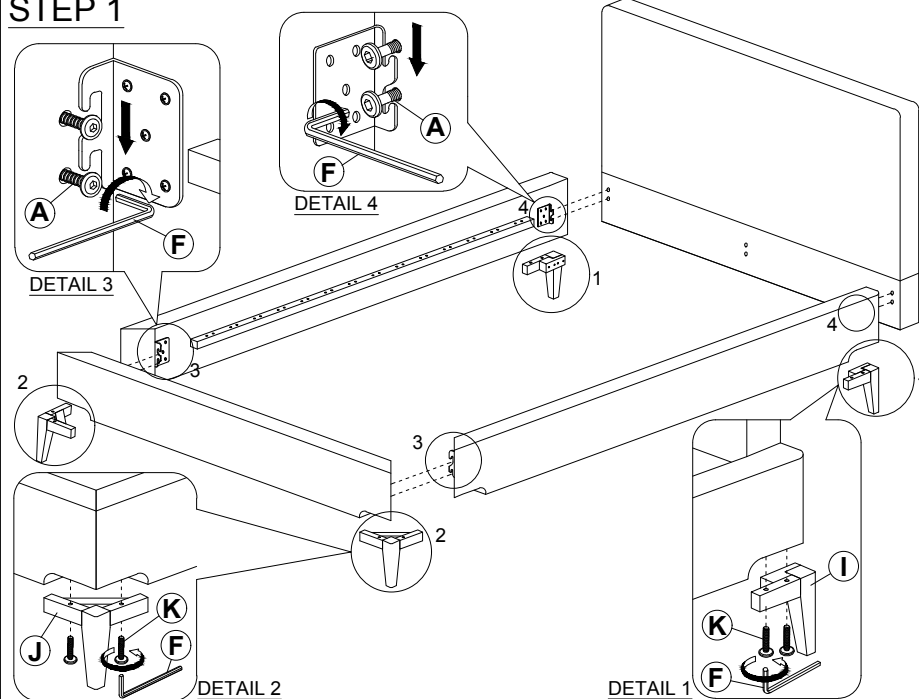
1. Check contents against hardware list for correct quantity.
2. Familiarize yourself with the components and hardware by reviewing the Assembly Instructions.
3. Do not over tightened the screws and bolts as it may damage the threads.
4. Keep all hardware parts out of the reach of children.

HARDWARE LIST			*COME ATTACHED IN FOOTBOARD -2PCS		I LEG L			
NO.	DESCRIPTION	QTY	C	M6 X 40MM JCBB SCREW	4 PCS	J	LEG M	2 PCS
A	M8 X 35MM JCBB SCREW *COME ATTACHED IN HEADBOARD -4PCS *COME ATTACHED IN FOOTBOARD -4PCS		D	MIDDLE RAIL	1PC	K	M8 X 50MM JCBB SCREW	8 PCS
B	M8 X 25MM JCBB SCREW *COME ATTACHED IN HEADBOARD -2PCS		E	M4 ALLEN KEY	1 PC	L	M8 X 45MM JCBB SCREW	2 PCS
			F	M5 ALLEN KEY	1 PC	M	FLAT WASHER	2 PCS
			G	SUPPORT MIDDLE RAIL	2 PCS	N	END CAP	26 PCS
			H	M6 NUT	4 PCS	O	MIDDLE CAP	13 PCS
						P	SLAT	26 PCS

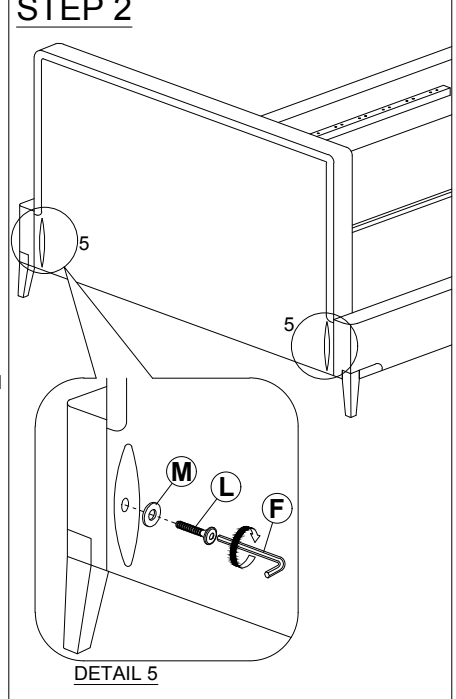


COMPLETED ASSEMBLY

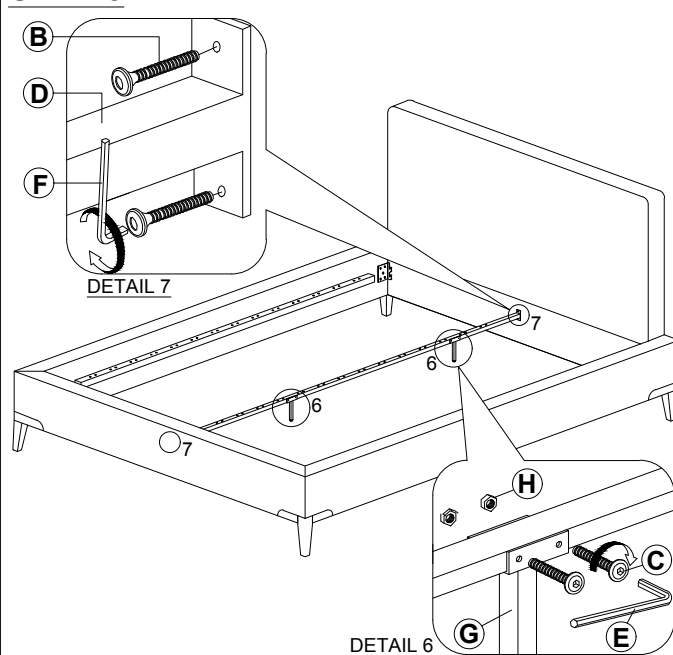
## STEP 1



## STEP 2



## STEP 3



## STEP 4

