



Birlea

Suppliers of inspiration

Vendor: S000053



ASSEMBLY INSTRUCTIONS

FARO 5' BED

IMPORTANT: READ THESE INSTRUCTIONS CAREFULLY BEFORE ASSEMBLING OR USING YOUR FARO 5' BED FRAME.

PLEASE KEEP THESE INSTRUCTIONS FOR FUTURE REFERENCE.

HEALTH & SAFETY:

DO NOT jump on this bed frame.

DO NOT use this bed frame if any parts are missing, damaged or worn.

DO NOT use this bed frame unless all fixings are secured.

Please keep small parts out of reach of children.

Always use on a level, even surface.

WARNING: If this bed is placed on a non-carpeted floor you must place some protection under all legs to stop the bed frame from moving. If this is not adhered to there is no guarantee if the bed frame collapses.

CARE & MAINTENANCE:

Assemble in the room of use.

Periodically check all screws & fixings to ensure they are secure.

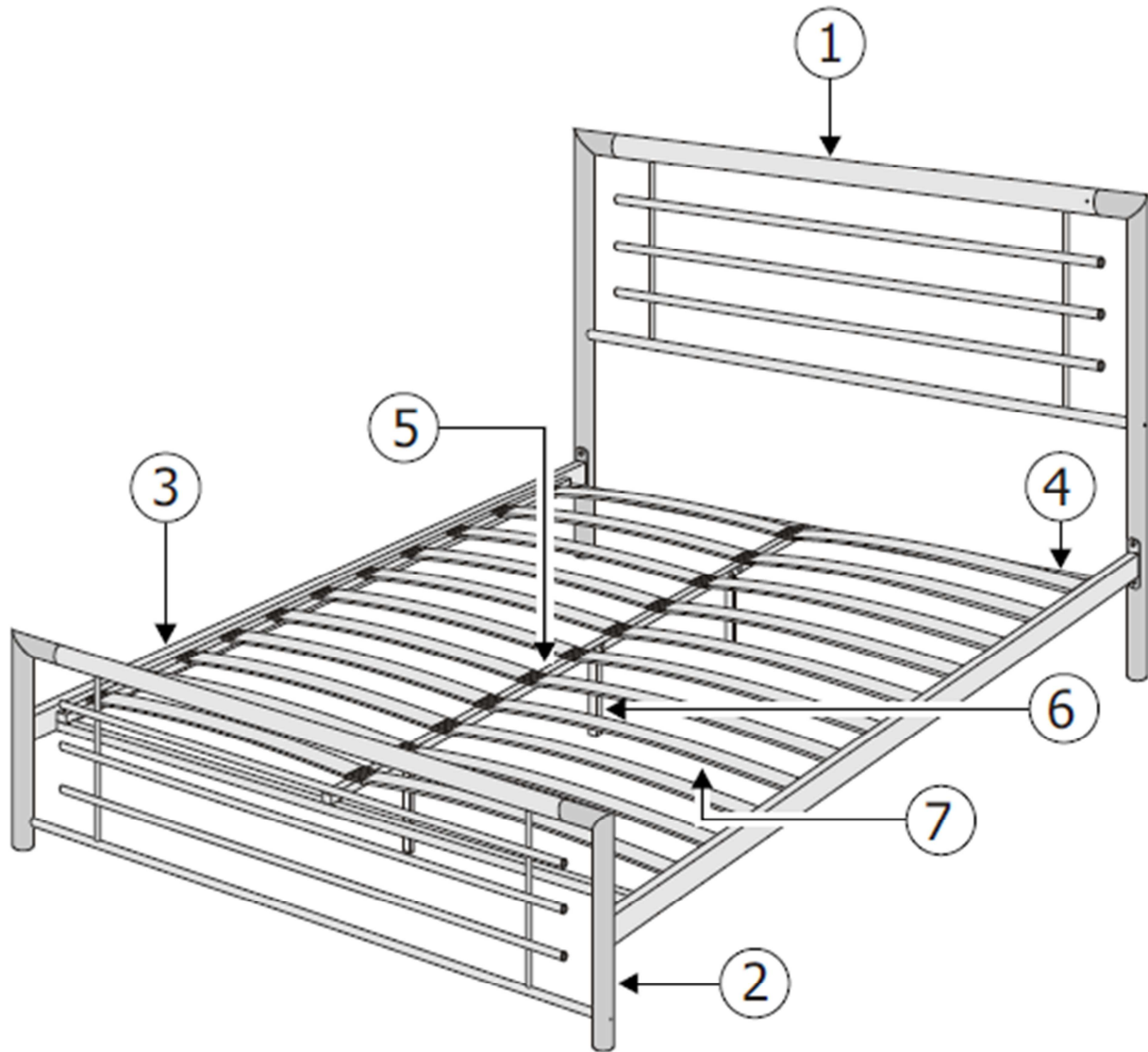
DO NOT push the bed frame as this will damage the legs.

Always lift the bed with two people to reposition.

Keep any sharp objects away from the frame.

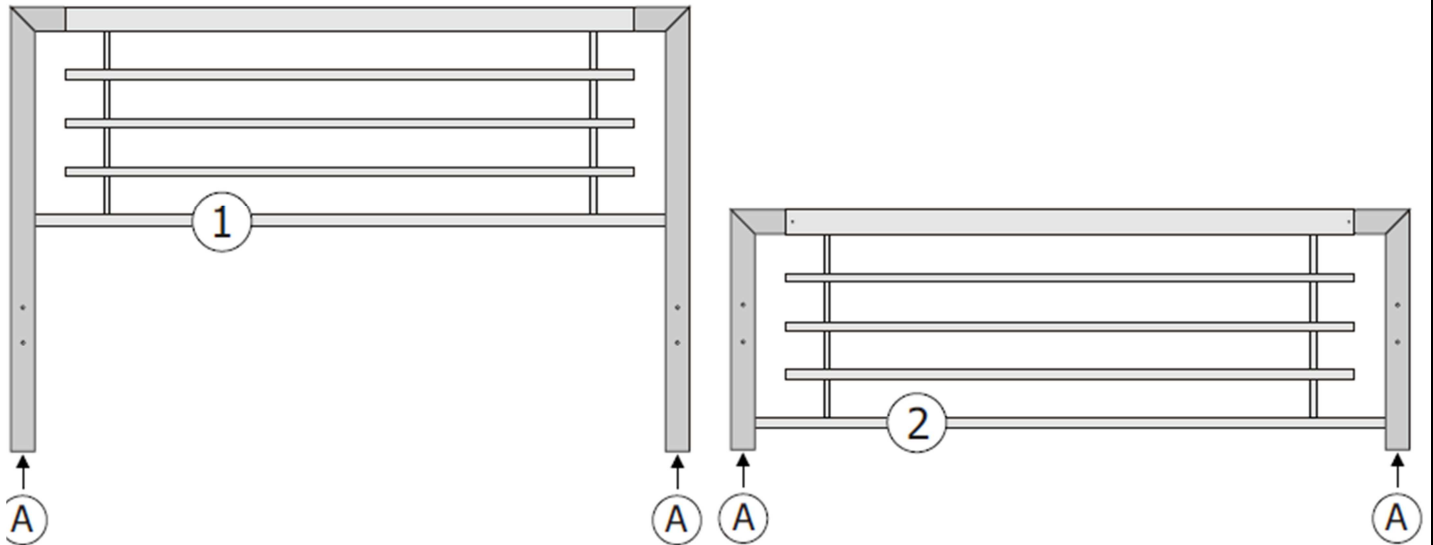


www.birlea.com

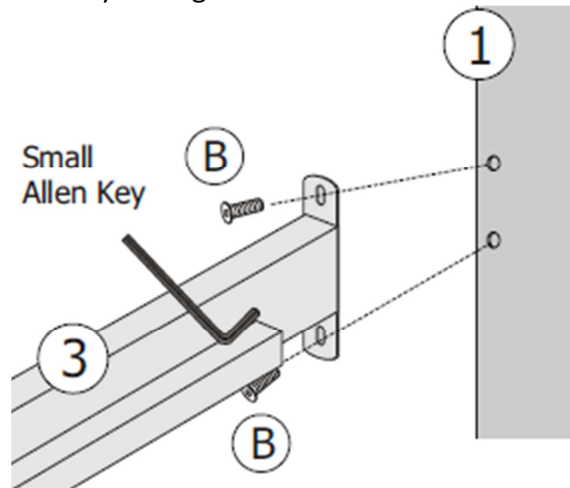


Parts List				Hardware List (found in box 1)		
Part	Description	Box	Qty	Part	Description	Qty
1	Headend	1	1	A	50 mm Black Round Stopper 	4
2	Footend	1	1	B	M6 x 16 mm JCBC Screw 	8
3	Side Support	2	2	C	M6 x 50 mm JCBC Screw 	4
4	Side Frame	2	2	D	M6 Nut 	10
5	Mid Support	2	1	E	M8 x 50 mm JCBC Screw 	2
6	Base Leg	1	3	F	M8 Nut 	2
7	Slat	3	26	G	M6 x 35 mm JCBC Screw 	6
** M4 Allen Key and M5 Allen Key provided				H	Double Slat Cap 	13
				I	Single Slat Cap 	26

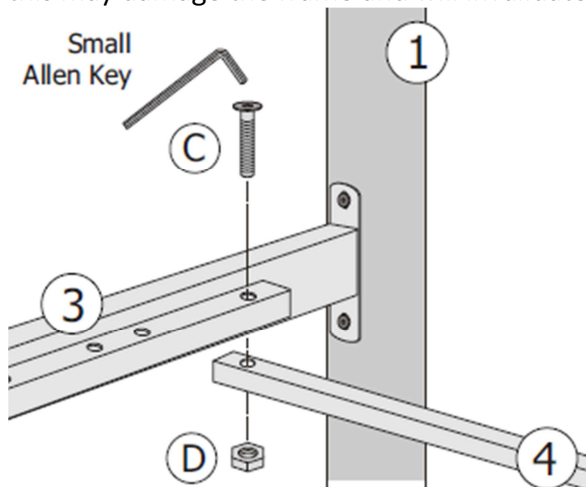
Step 1: Insert hardware part A to the headend (1) and footend (2).
DO NOT use any power tools as this may damage the frame and will invalidate any claim.



Step 2: Fix the side supports (3) to the headend (1) and footend (2) using hardware part A but do not fully tighten yet.
DO NOT use any power tools as this may damage the frame and will invalidate any claim.

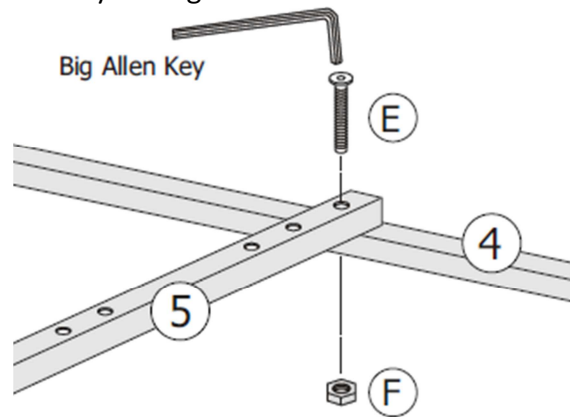


Step 3: Place the side frames (4) underneath the side supports (3) and tightly secure using hardware parts C and D.
DO NOT use any power tools as this may damage the frame and will invalidate any claim.



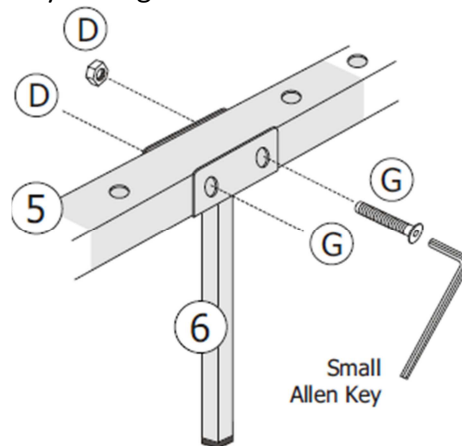
Step 4: Place the mid support (5) on top of the side frames (4) and tightly secure using hardware parts E and F.

DO NOT use any power tools as this may damage the frame and will invalidate any claim.



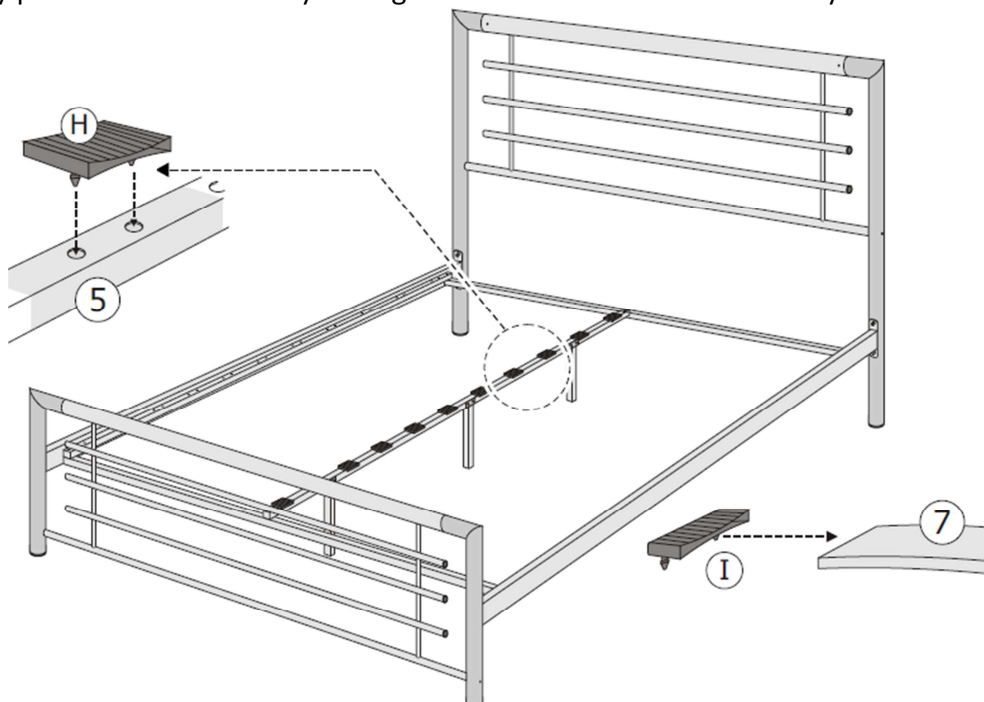
Step 5: Fit the base legs (6) to the mid support (5) according to the holes at the side, then tightly secure using hardware parts D and G.

DO NOT use any power tools as this may damage the frame and will invalidate any claim.



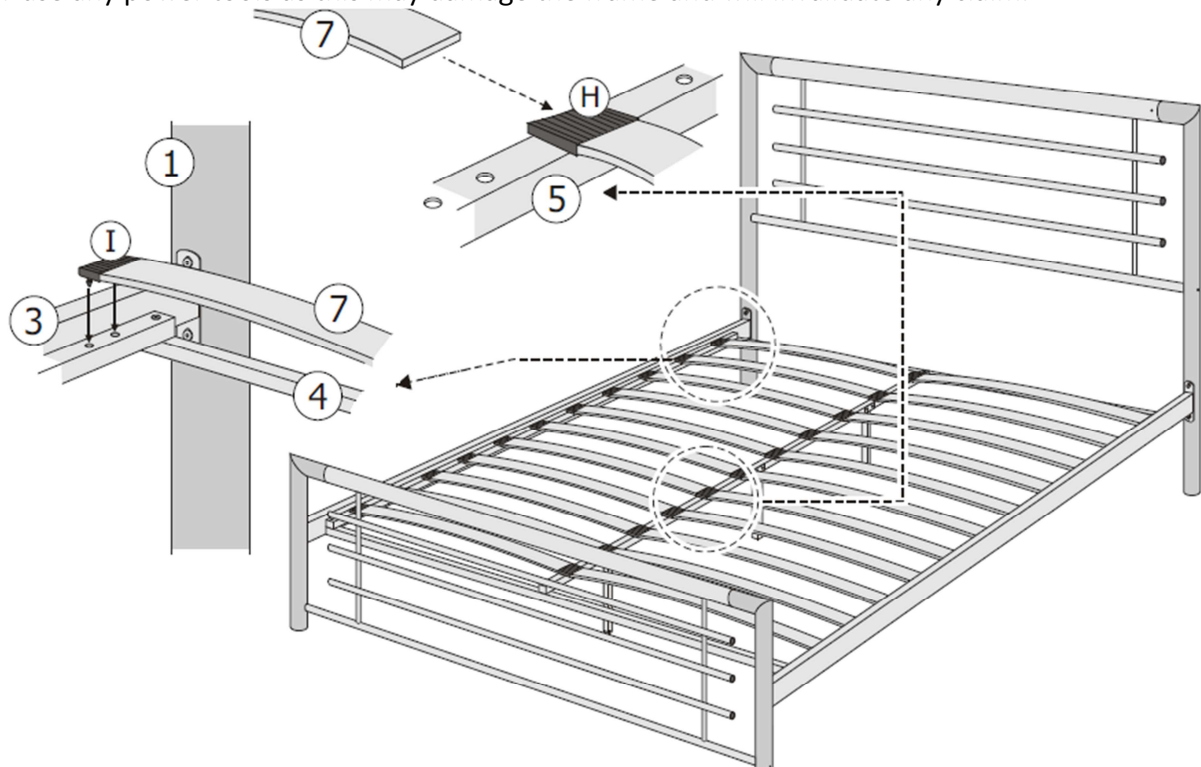
Step 6: Fit hardware part H to the mid support (5) then place hardware part I onto the end of each slat (7).

DO NOT use any power tools as this may damage the frame and will invalidate any claim.



Step 7: Slide the slats (7) into hardware part H on the mid support (5) then push the ends into the side supports (3) firmly.

DO NOT use any power tools as this may damage the frame and will invalidate any claim.



Additional Information:

- For complete product information, images and dimension diagrams please visit the website www.birlea.com
- If you have any issues with your item please contact the retailer directly you purchased it from who will be able to resolve any issues with Birlea.
- Why don't you send us photos of your assembled furniture to info@birlea.com to be shared in our #birleahome feature on Instagram.