

ASSEMBLY INSTRUCTIONS

SANTIAGO 3 DOOR WARDROBE

IMPORTANT: READ THESE INSTRUCTIONS CAREFULLY BEFORE ASSEMBLING OR USING YOUR SANTIAGO 3 DOOR WARDROBE.

PLEASE KEEP THESE INSTRUCTIONS FOR FUTURE REFERENCE.

HEALTH & SAFETY:

DO NOT use this item if any parts are missing, damaged or worn.

DO NOT use this item unless all fixings are secured.

Please keep small parts out of reach of children.

Always use on a level, even surface.

It is recommended that two people handle and assemble the item.

Birlea advise you use the wall straps provided to further enhance the safety of this product.

CARE & MAINTENANCE:

Assemble in the room of use.

To avoid damages assemble the item on a soft, clean surface

Periodically check all screws & fixings to ensure they are secure.

DO NOT push the item as this will damage the base.

Always lift the item with two people to reposition.

Keep any sharp objects away from the item.

This product is manufactured in pine which is a wood with natural characteristics including knots, grains, clusters or indentations.

On unpacking the item you may notice an odour due to production processes but this will disappear after a period of time.

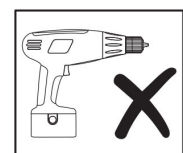
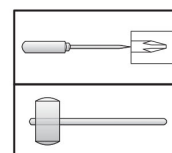
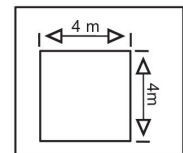
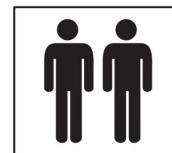
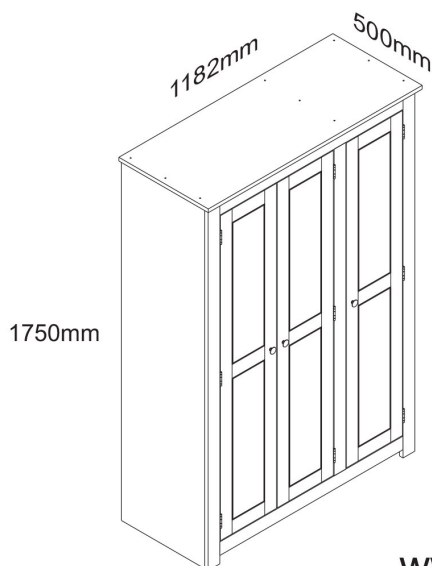
DO NOT place the item next to a radiator or direct sunlight – this item is susceptible to temperature change.

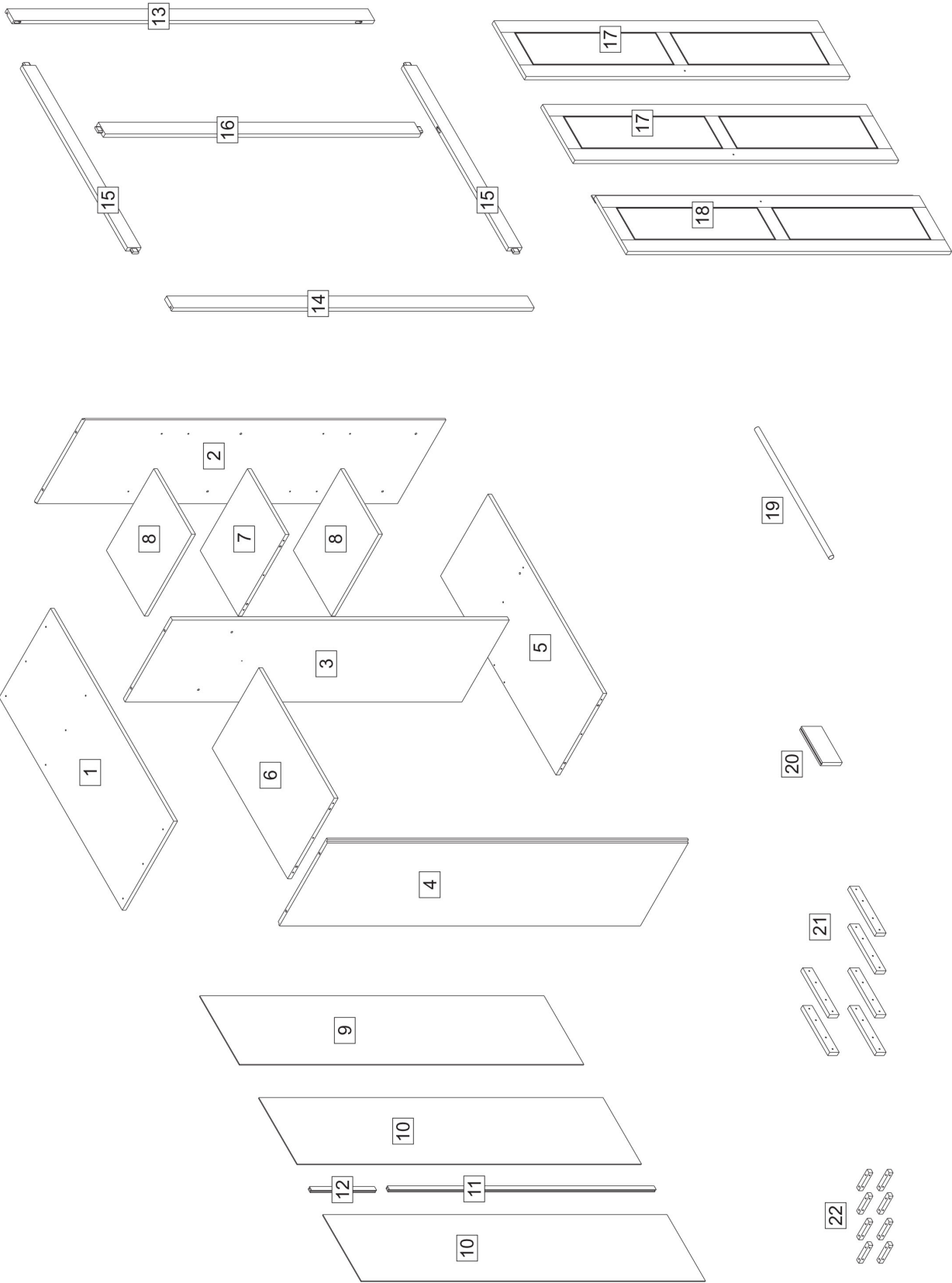
It is recommended an even room temperature be maintained with no sudden fluctuations.

DO NOT place hot or cold items directly onto the surface of the item as marking will occur

















For general cleaning use a duster or damp cloth (almost dry) not wet – do not use soap and water, detergents, aerosol sprays or any polish as use of these materials would invalidate any claims.

DO NOT place the item onto wet or damp flooring as staining may occur to the floor.

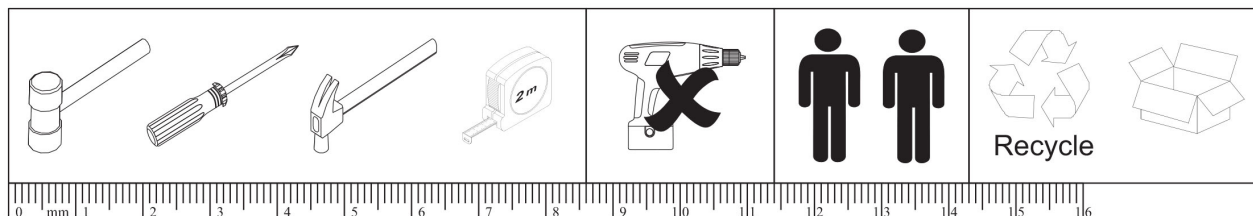




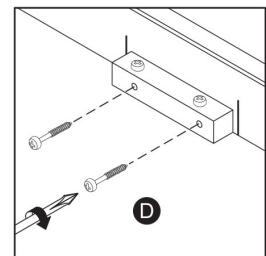
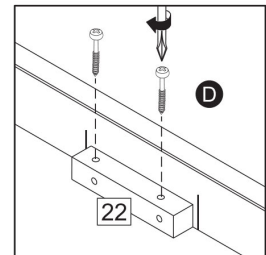
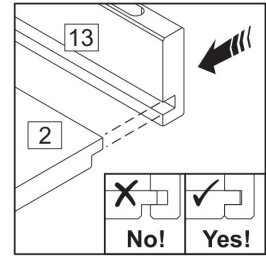
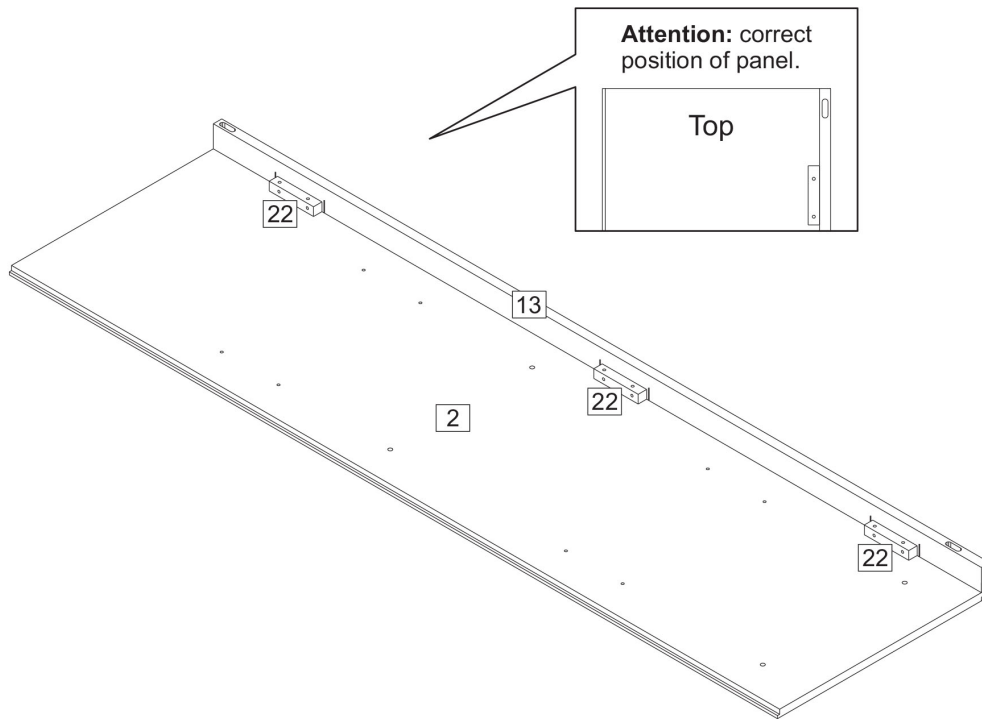
PARTS LIST			
Part	Item	Box	Qty
1	Top Panel	2	1
2	Right Panel	1	1
3	Centre Panel	1	1
4	Left Panel	1	1
5	Base Panel	2	1
6	Large shelf	2	1
7	Right fixed shelf	2	1
8	Right shelf	2	2
9	Right back panel	1	1
10	Left back panel	1	2
11	Large Spine	1	1
12	Small Spine	1	1
13	Right Front Frame	1	1
14	Left Front Frame	1	1
15	Front Frame	1	2
16	Centre Front Frame	1	1
17	Right Door	1	2
18	Left Door	1	1
19	Hanging Rail	1	1
20	Bottom Support	1	1
21	Cross rail	2	6
22	Cleat	1	8

HARDWARE LIST (found in Box 1)		
Part	Item	Qty
A	Wooden dowel 	20
B	14mm Screw 	69
C	30mm Screw 	24
D	35mm Screw 	50
E	40mm Screw 	14
F	19mm Bolt 	3
G	Handle 	3
H	Door hinge 	9
J	Clip 	6
K	Plug 	6
L	Corner bracket 	1
M	Rail support 	2
N	Shelf Support 	8
O	Tack 	60
P	Wall Strap 	1
Q	Washer 	2

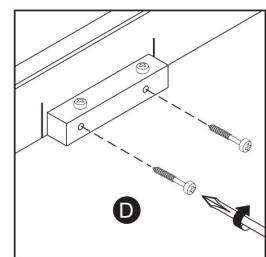
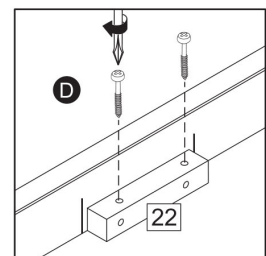
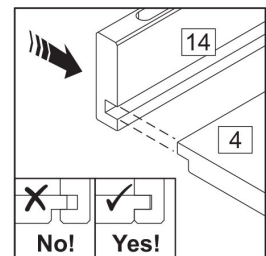
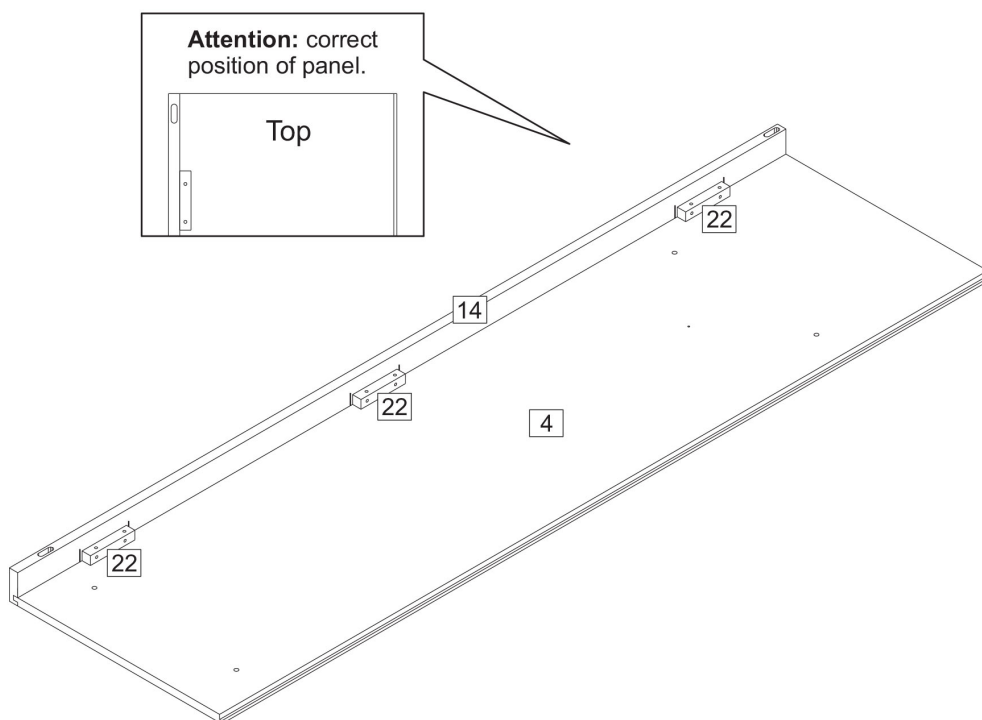
** You will need a small mallet and a screwdriver.



Step 1: Insert the right panel (2) to the right front frame (13) ensuring parts are fully pushed together and lined up. Place the cleats (22) between the marks shown, secure using hardware part D with a screwdriver (not provided).
DO NOT use any power tools as this may damage the frame and will invalidate any claim.

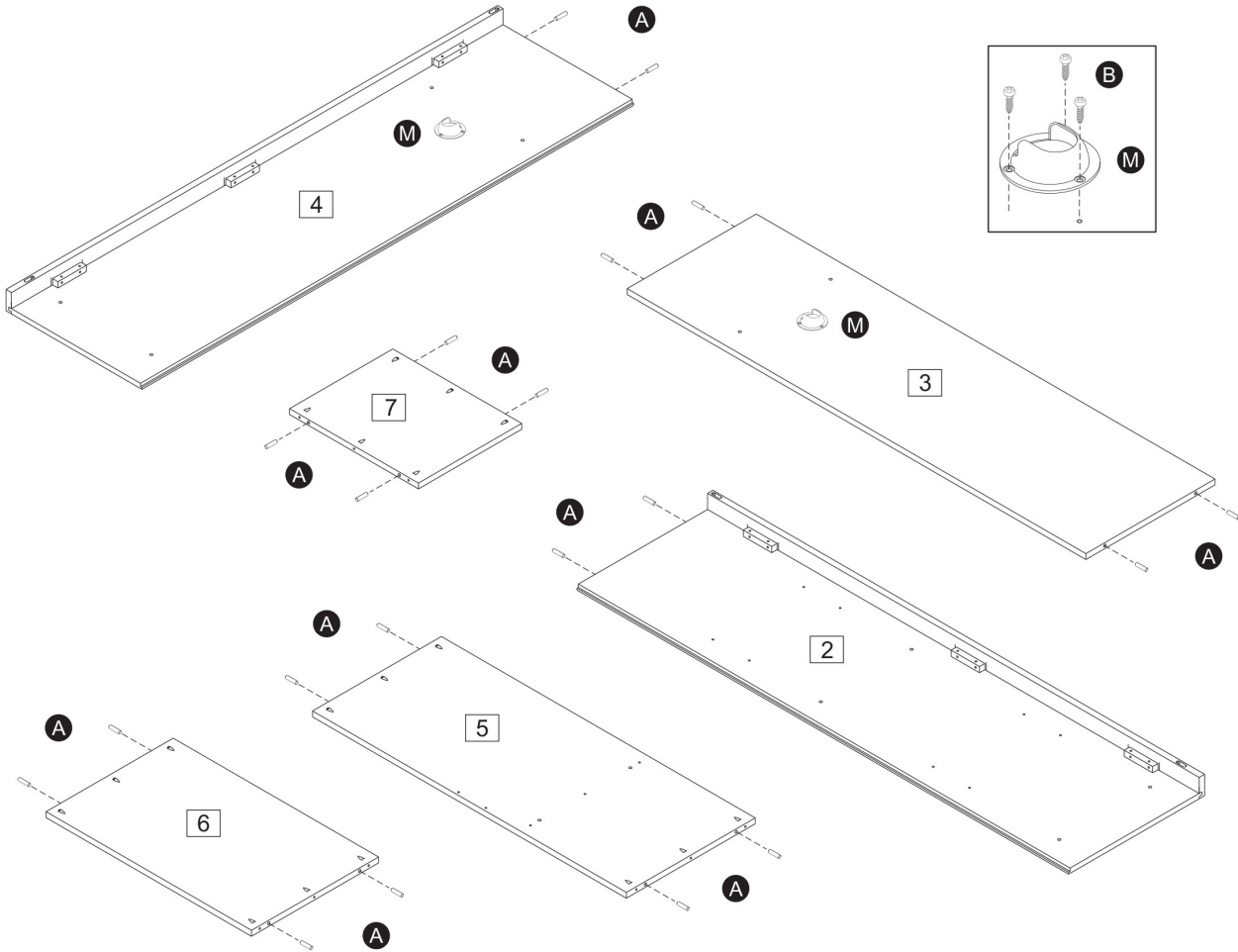


Step 2: Insert the left panel (4) to the left front frame (14) ensuring parts are fully pushed together and lined up. Place the cleats (22) between the marks shown, secure using hardware part D with a screwdriver (not provided).
DO NOT use any power tools as this may damage the frame and will invalidate any claim.

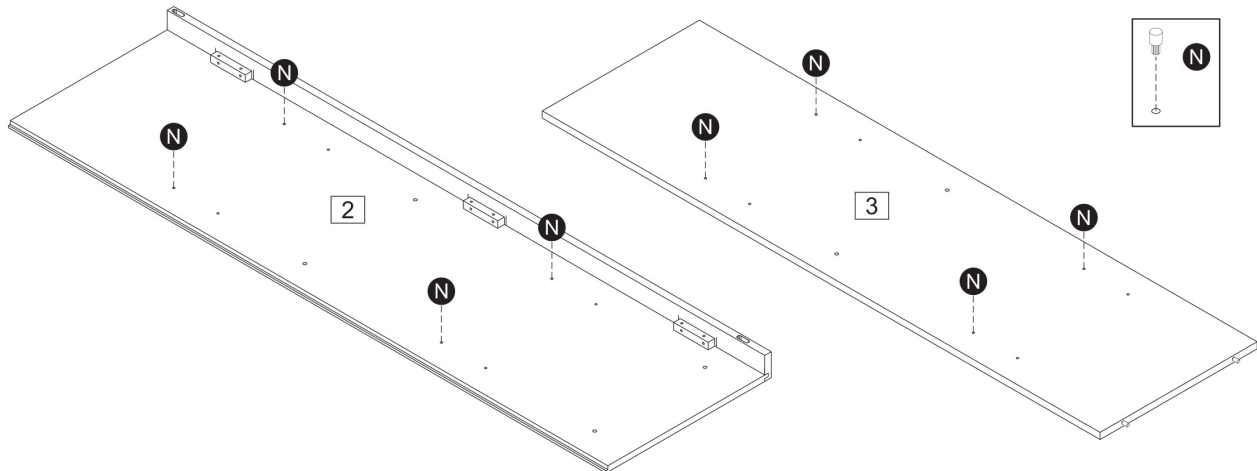


Step 3: Insert hardware part A using a small mallet (not provided). Attach hardware part M to the centre panel (3) and left panel (4) using hardware part B and a screwdriver (not provided). **DO NOT use any power tools as this may damage the frame and will invalidate any claim**

Vendor: S000238



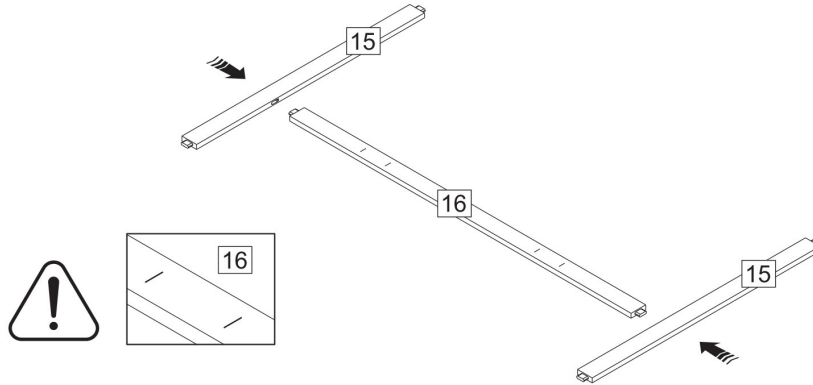
Step 4: Insert hardware part N to the right panel (2) and centre panel (3) using a small mallet (not provided). **DO NOT use any power tools as this may damage the frame and will invalidate any claim.**



Step 5: Connect the front frames (15) to the centre front frame (16).

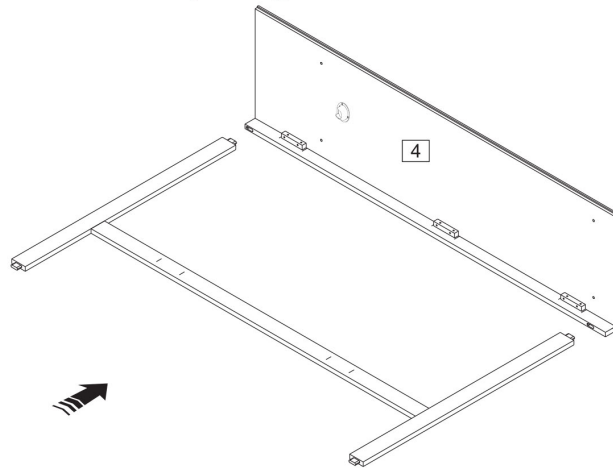
Vendor: S000238

DO NOT use any power tools as this may damage the frame and will invalidate any claim.



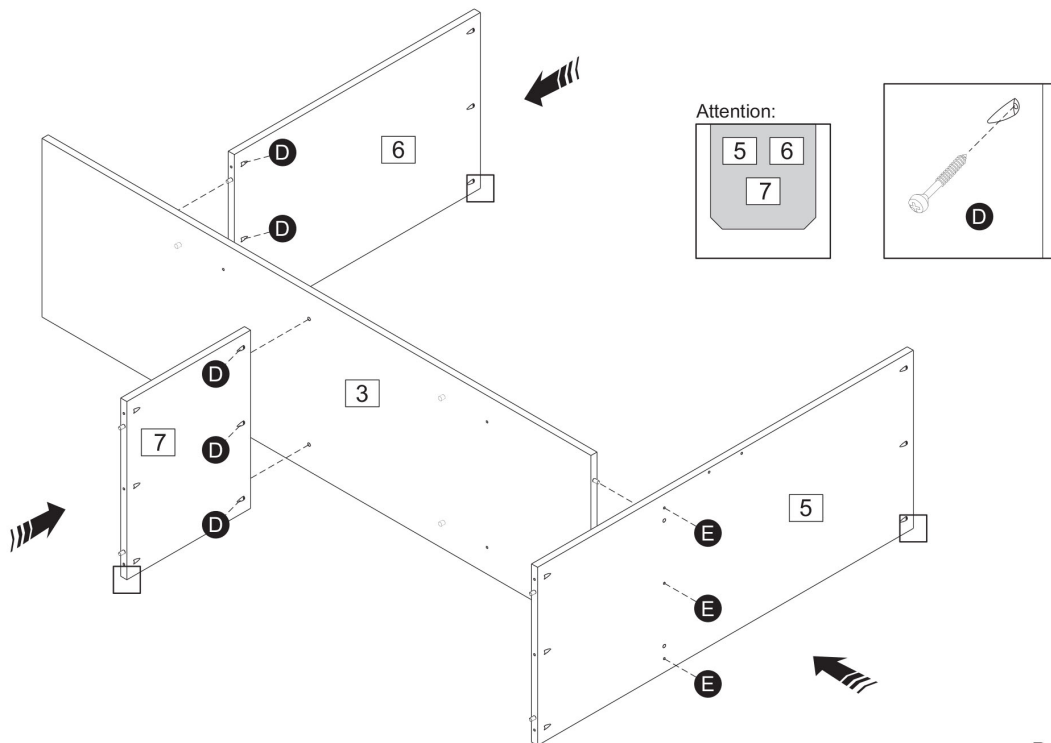
Step 6: Attach the frames to the left panel (4).

DO NOT use any power tools as this may damage the frame and will invalidate any claim.



Step 7: Attach the large shelf (6) and right fixed shelf (7) to the centre panel (3) using hardware part D. Attach the base panel (5) using hardware part E. You will need to use a screwdriver (not provided).

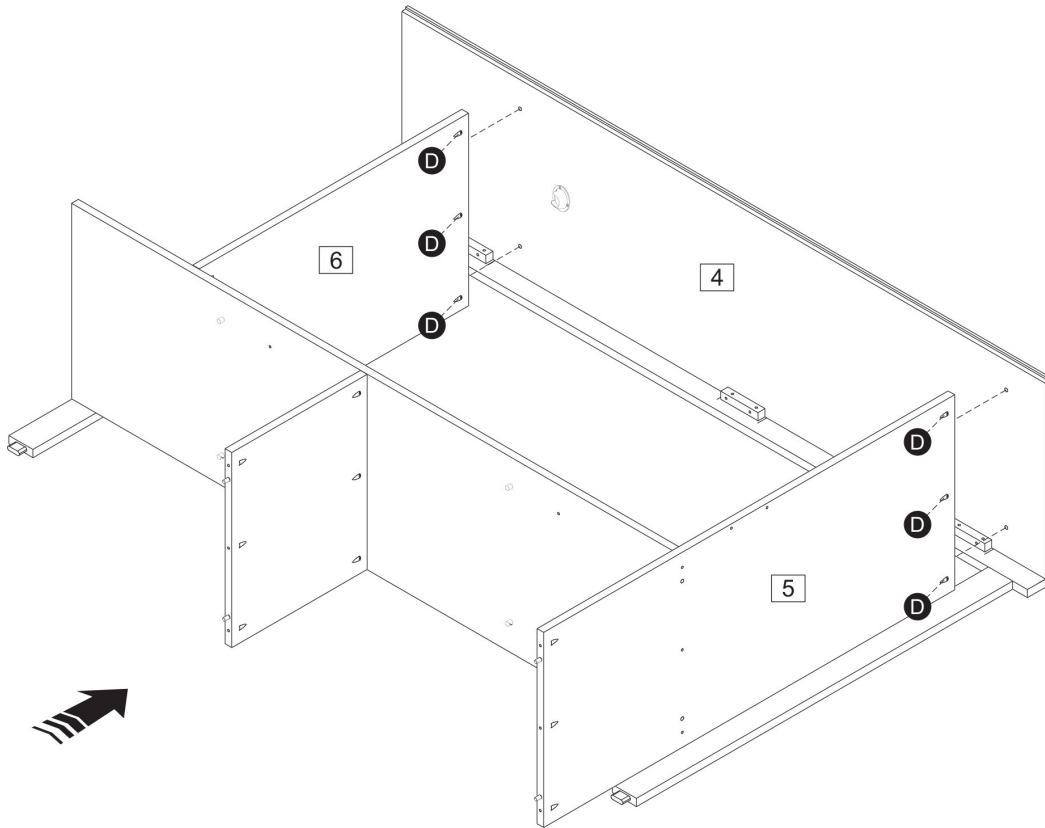
DO NOT use any power tools as this may damage the frame and will invalidate any claim.



Step 8: Join the two sections together and secure using hardware part D and a screwdriver (not provided).

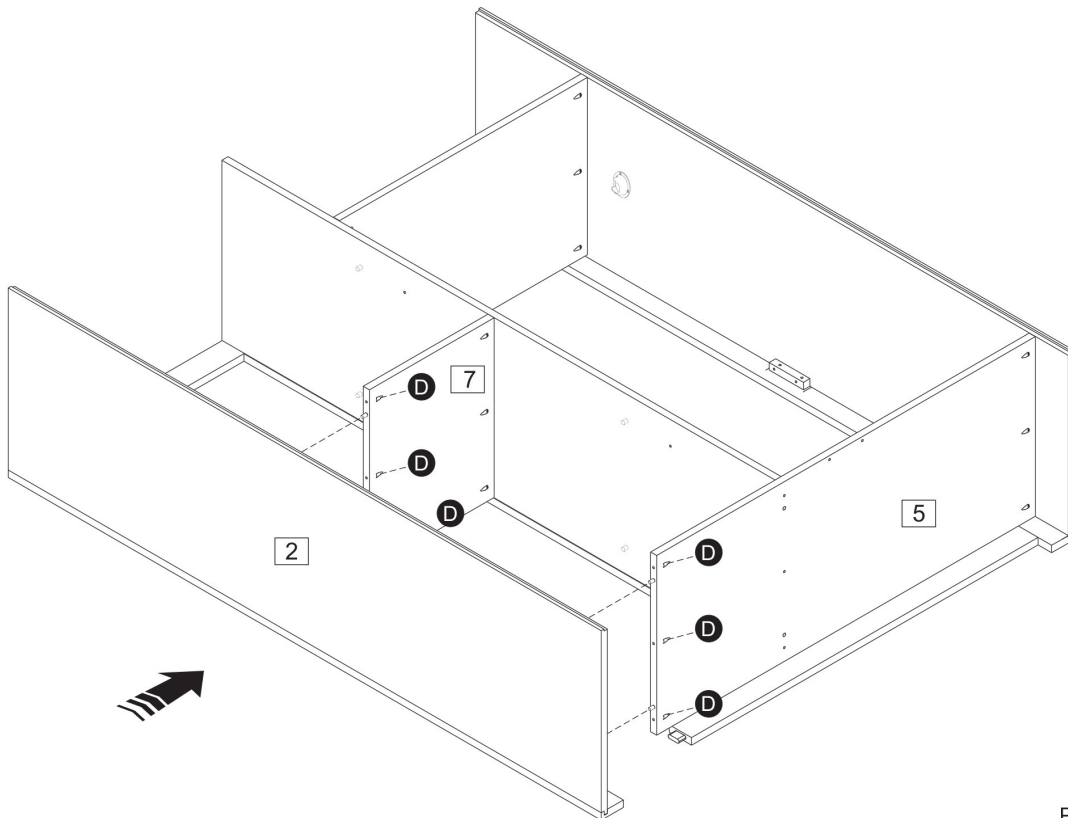
Vendor: S000238

DO NOT use any power tools as this may damage the frame and will invalidate any claim.



Step 9: Attach the right panel (2) using hardware part D and a screwdriver (not provided).

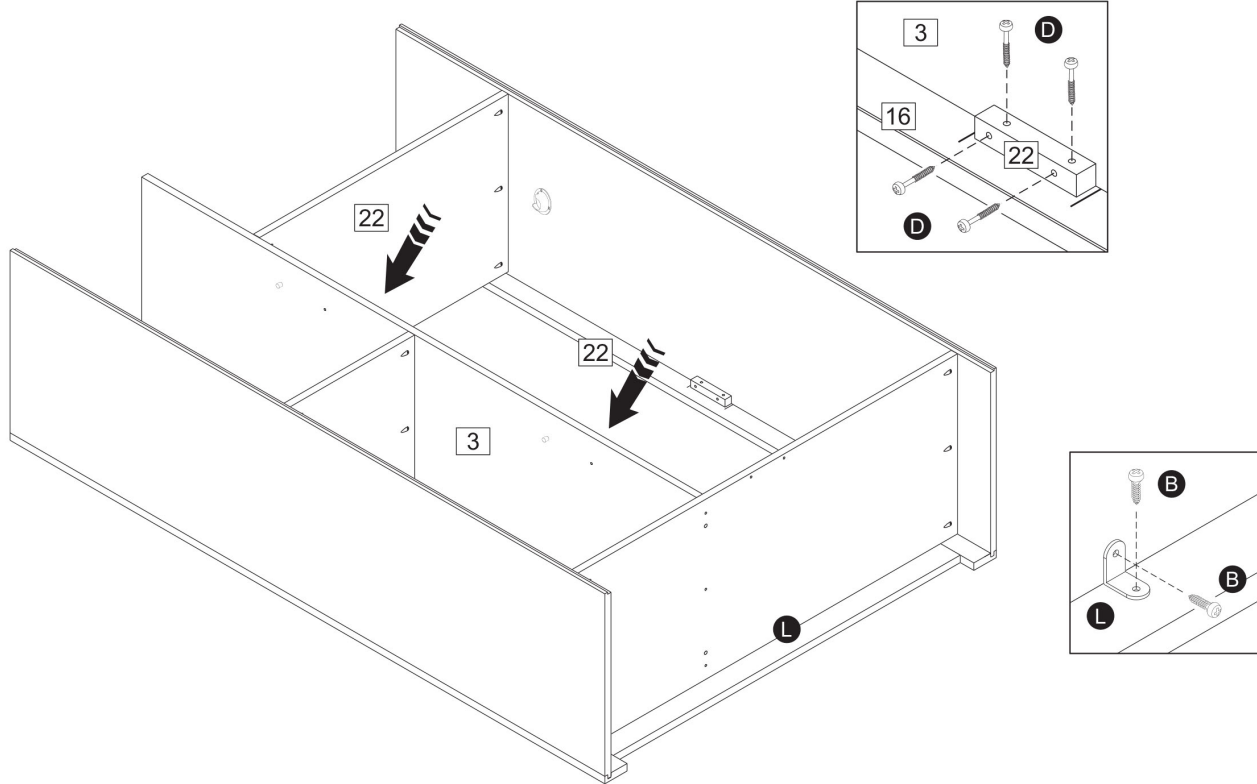
DO NOT use any power tools as this may damage the frame and will invalidate any claim.



Step 10: Attach the cleats (22) to the centre panel (3) and centre front frame (16) using hardware part D. Then attach hardware part L using hardware part B. You will need to use a screwdriver (not provided).

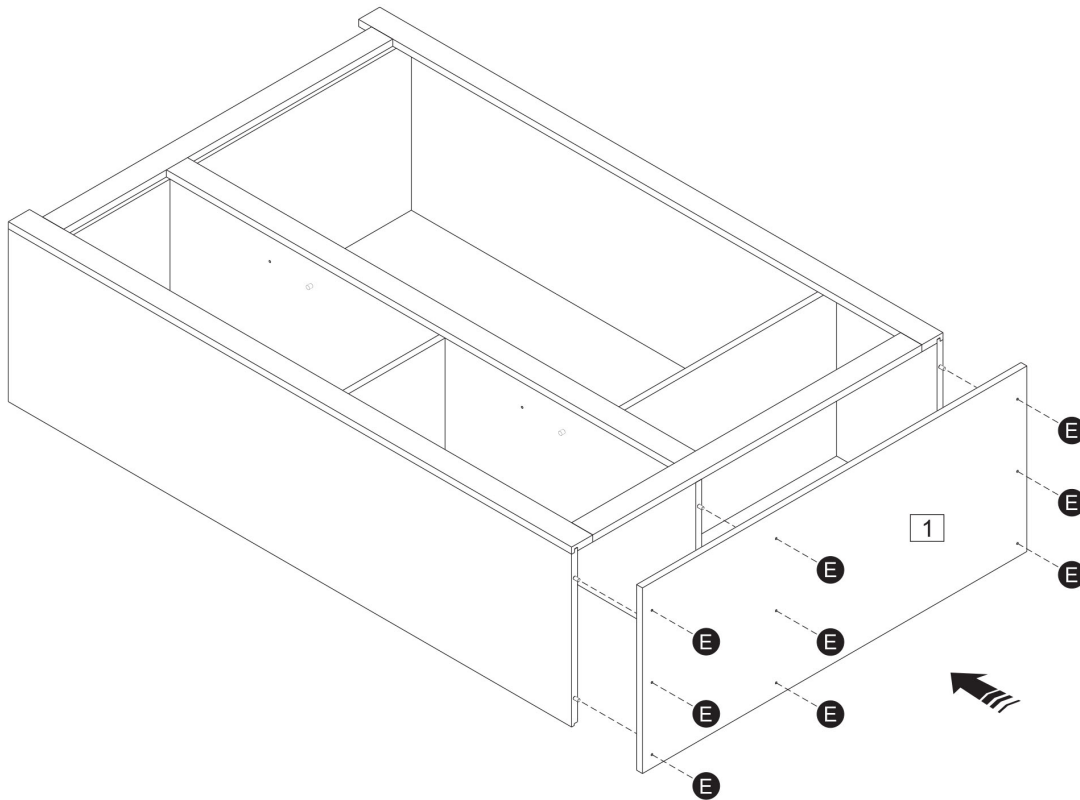
Vendor: S000238

DO NOT use any power tools as this may damage the frame and will invalidate any claim.



Step 11: Attach the top panel (1) using hardware part E and a screwdriver (not provided).

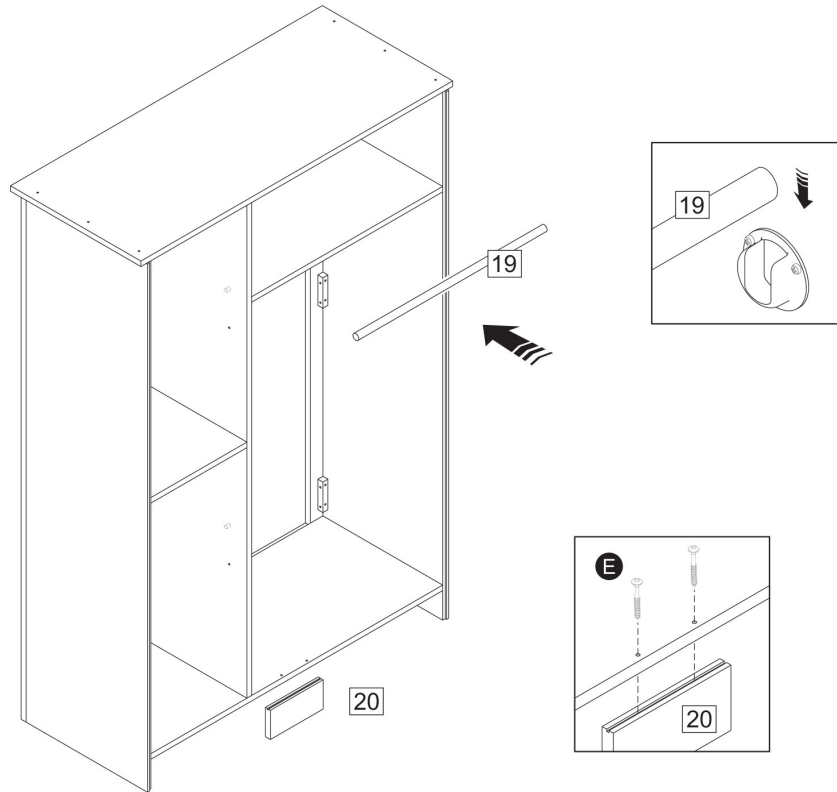
DO NOT use any power tools as this may damage the frame and will invalidate any claim.



Step 12: Insert the hanging rail (19) and secure the bottom support (20) using hardware part E and a screwdriver (not provided).

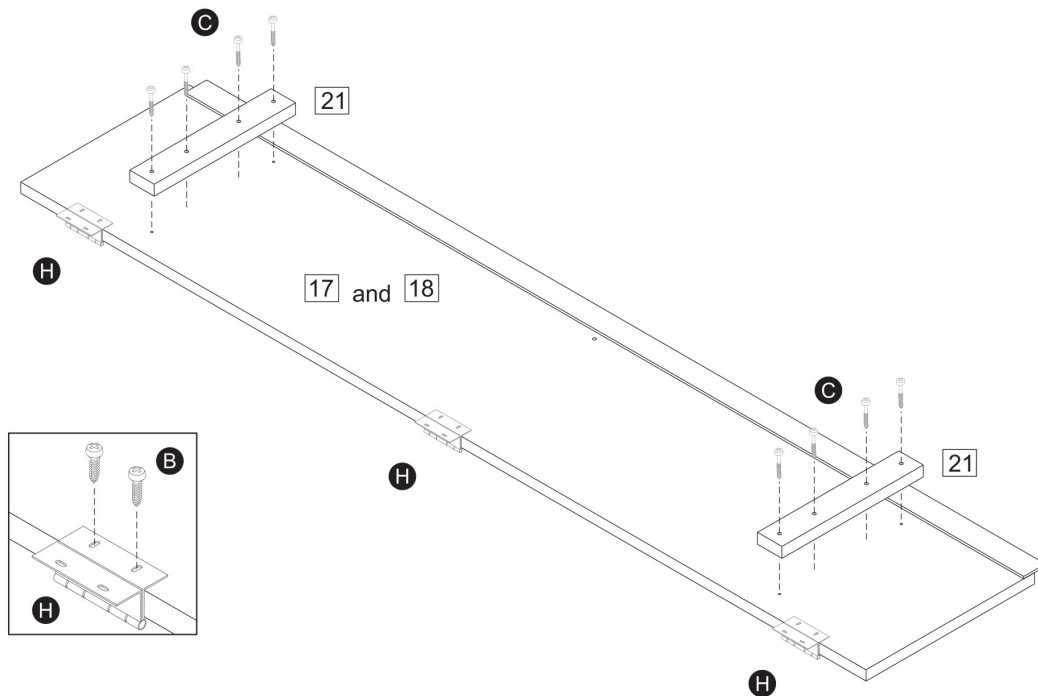
Vendor: S000238

DO NOT use any power tools as this may damage the frame and will invalidate any claim.



Step 13: Attach the cross rails (21) to the right doors (17) and left door (18) using hardware part C. Attach hardware part H to the doors using hardware part B. You will need to use a screwdriver (not provided).

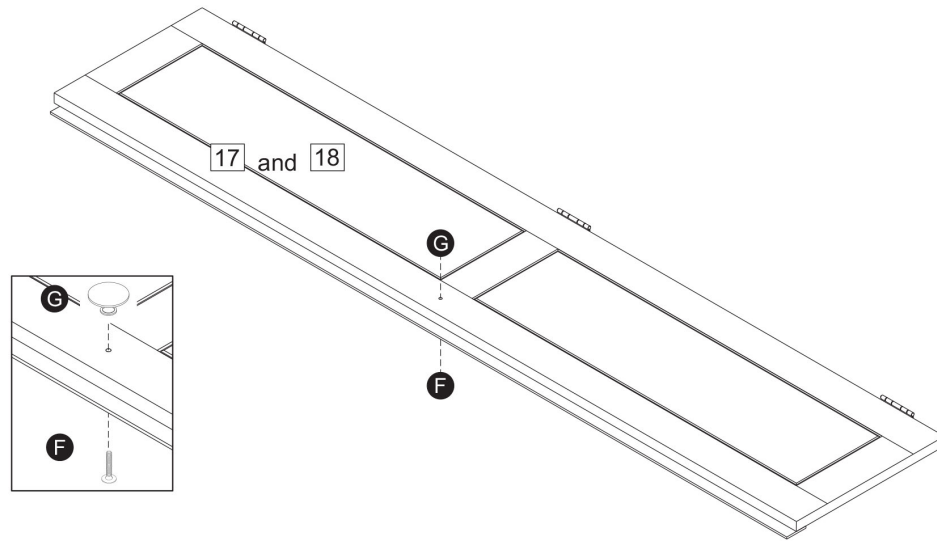
DO NOT use any power tools as this may damage the frame and will invalidate any claim.



Step 14: Attach hardware part G to the right doors (17) and left door (18) using hardware part F and a screwdriver (not provided).

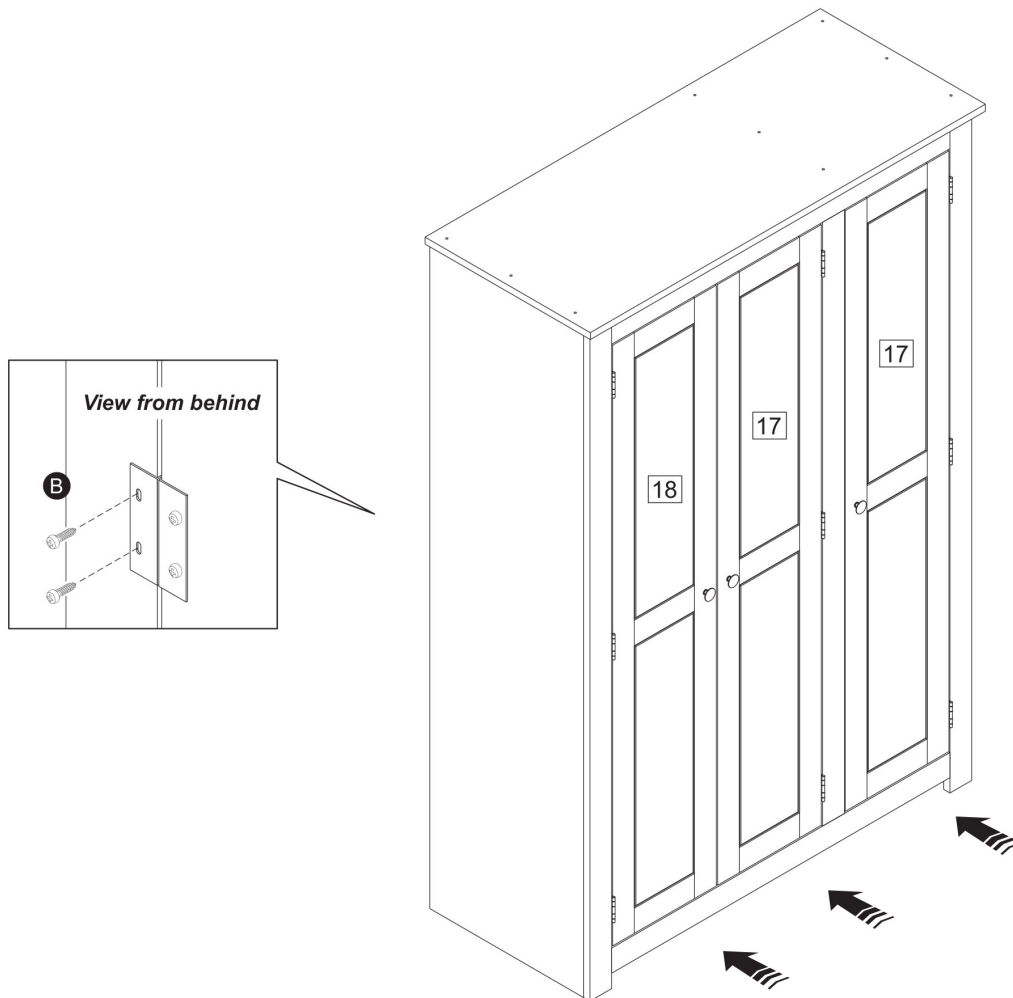
Vendor: S000238

DO NOT use any power tools as this may damage the frame and will invalidate any claim.



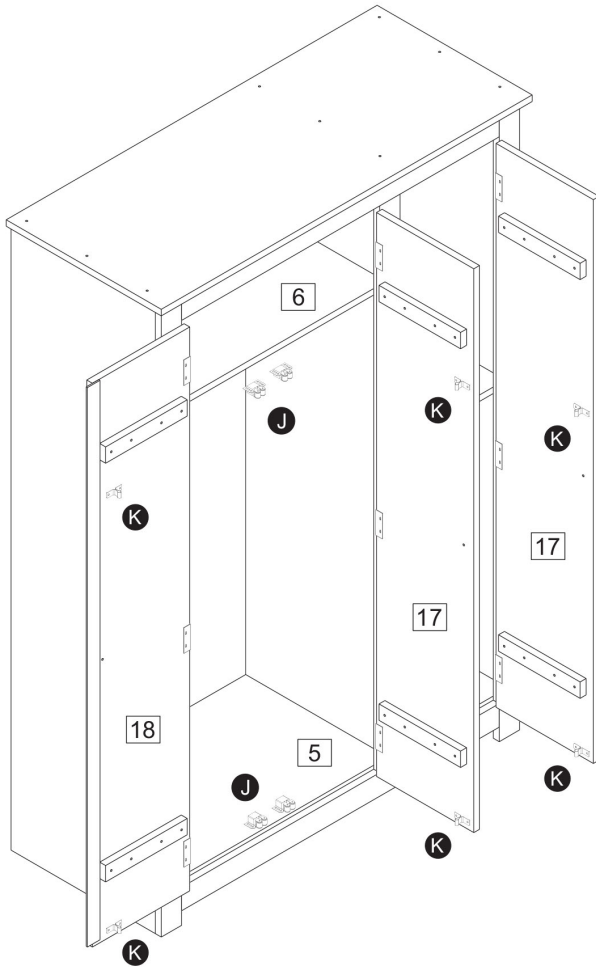
Step 15: Secure the doors to the frame using hardware part B and a screwdriver (not provided).

DO NOT use any power tools as this may damage the frame and will invalidate any claim.

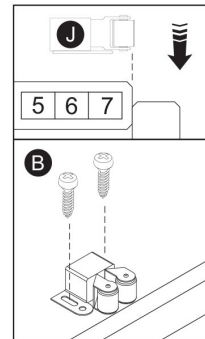


Step 16: Attach hardware part J to the base panel (5) and large shelf (6) using hardware part B. Insert hardware part K to hardware part J and push the doors shut against them to mark the wood. Attach hardware part K to the right doors (17) and left door (18) using hardware part B. You will need to use a screwdriver (not provided).
DO NOT use any power tools as this may damage the frame and will invalidate any claim.

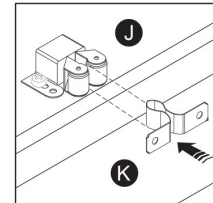
Vendor: S000238



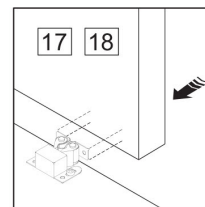
a:



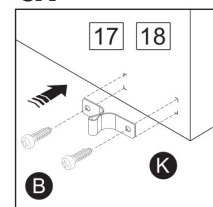
b:



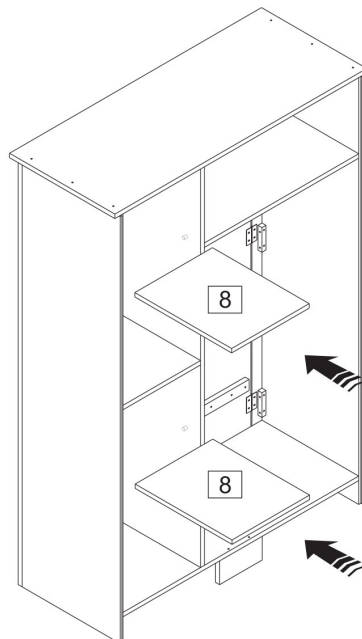
c:



d:



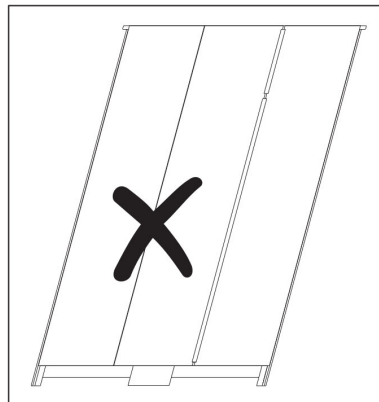
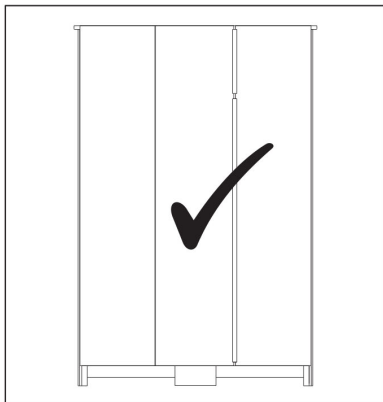
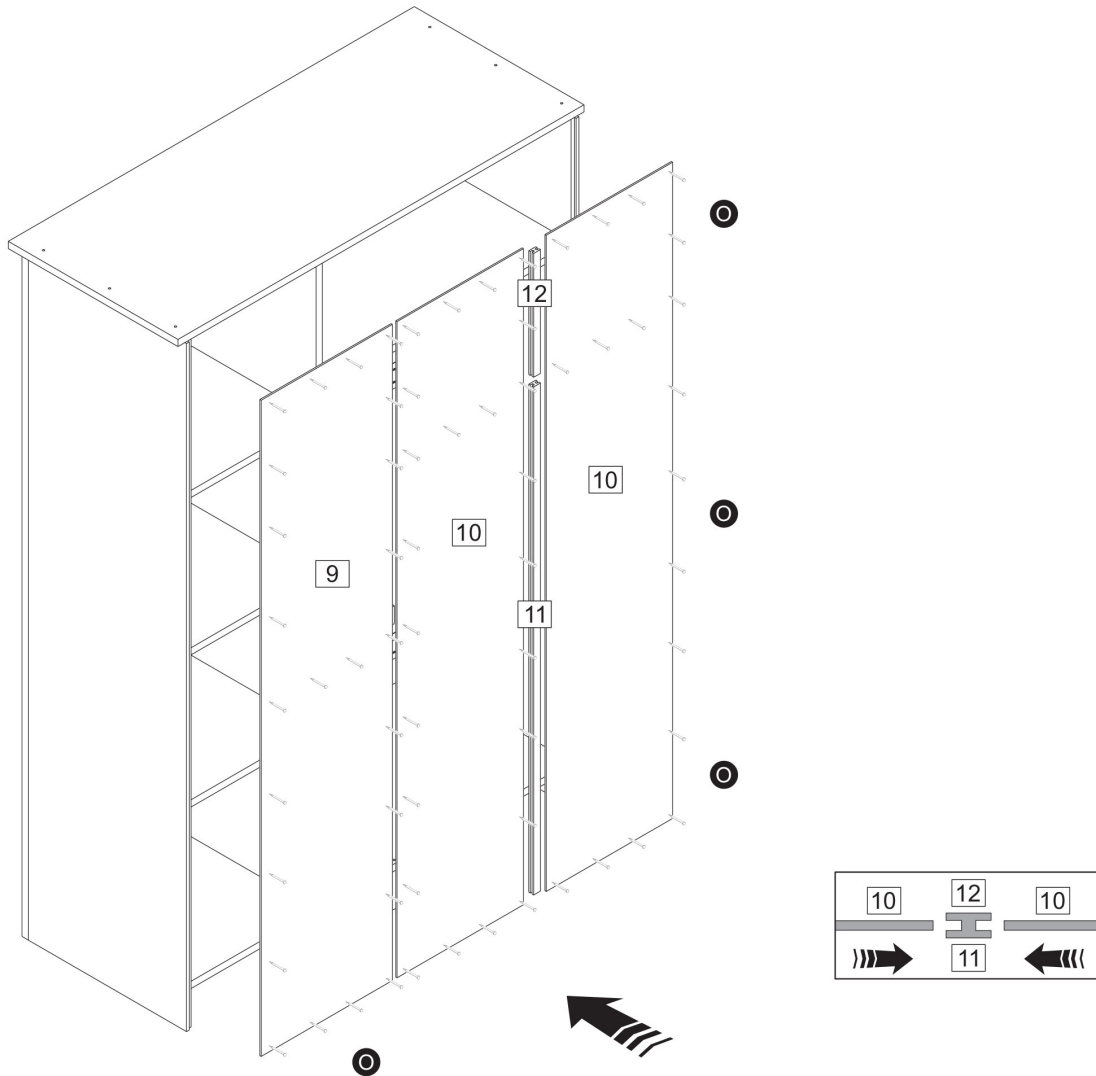
Step 17: Insert the right shelves (8).
DO NOT use any power tools as this may damage the frame and will invalidate any claim.



Step 18: Join together the left back panels (10) using the small spine (12) and large spine (11). Secure the left back panels (10) and right back panel (9) to the frame using hardware part O and a small mallet (not provided).

Vendor: S000238

DO NOT use any power tools as this may damage the frame and will invalidate any claim.



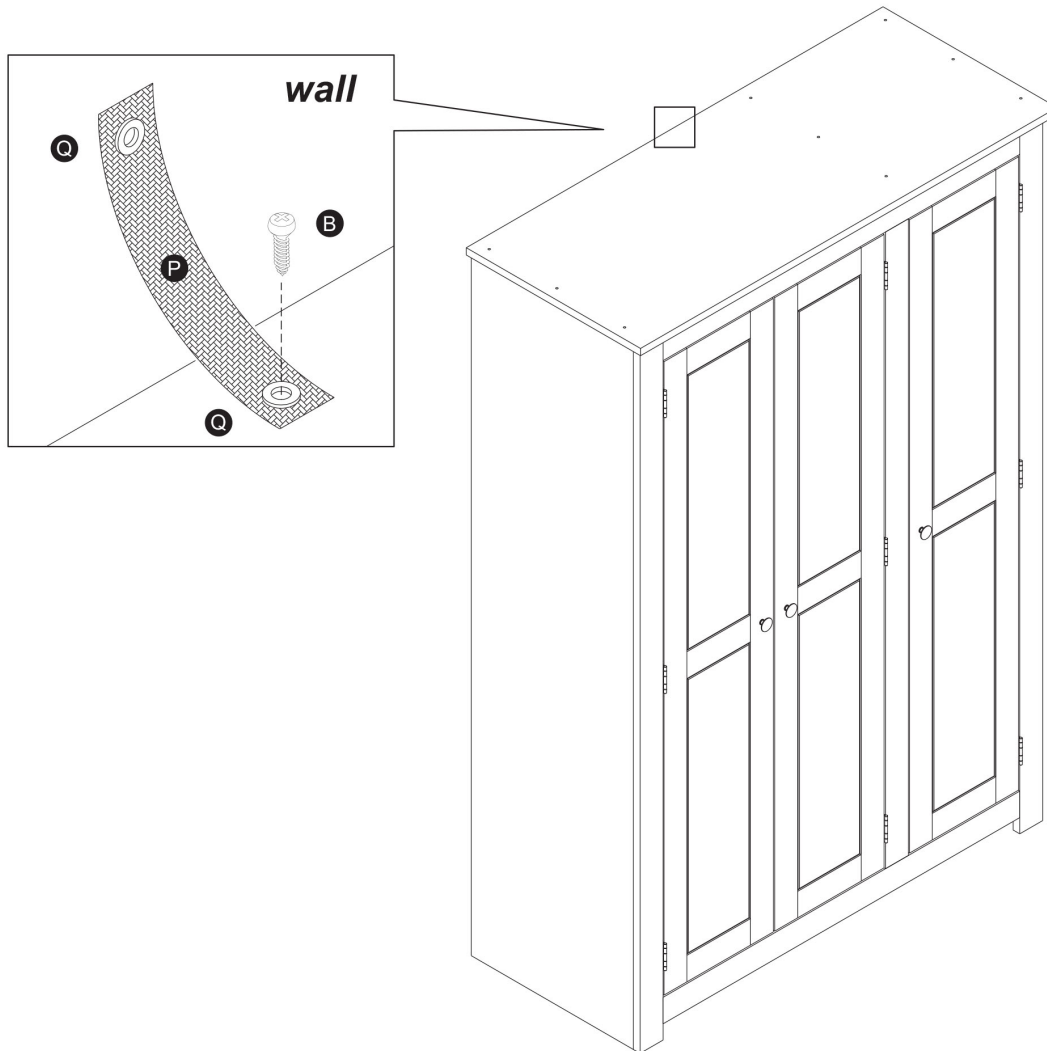
Step 19: Furniture must be fixed to a wall.

Vendor: S000238

Fix wall strap P to top of furniture using washer Q and screw B .

With help, move furniture into position.

Wall plugs not supplied. The correct type of fixing must be used for your wall, seek professional advice if in doubt.



Additional Information:

- For complete product information, images and dimension diagrams please visit the website www.birlea.com
- If you have any issues with your item please contact the retailer directly you purchased it from who will be able to resolve any issues with Birlea.
- Why don't you send us photos of your assembled furniture to info@birlea.com to be shared in our #birleahome feature on Instagram.