



Birlea

Suppliers of inspiration

Vendor: S000238



ASSEMBLY INSTRUCTIONS SALVADOR 3' BED

IMPORTANT: READ THESE INSTRUCTIONS CAREFULLY BEFORE ASSEMBLING OR USING YOUR SALVADOR 3' BED FRAME.

PLEASE KEEP THESE INSTRUCTIONS FOR FUTURE REFERENCE.

HEALTH & SAFETY:

DO NOT jump on this bed frame.

DO NOT use this bed frame if any parts are missing, damaged or worn.

DO NOT use this bed frame unless all fixings are secured.

Always use on a level, even surface.

WARNING: If this bed is placed on a non-carpeted floor you must place some protection under all legs to stop the bed frame from moving. If this is not adhered to there is no guarantee if the bed frame collapses.

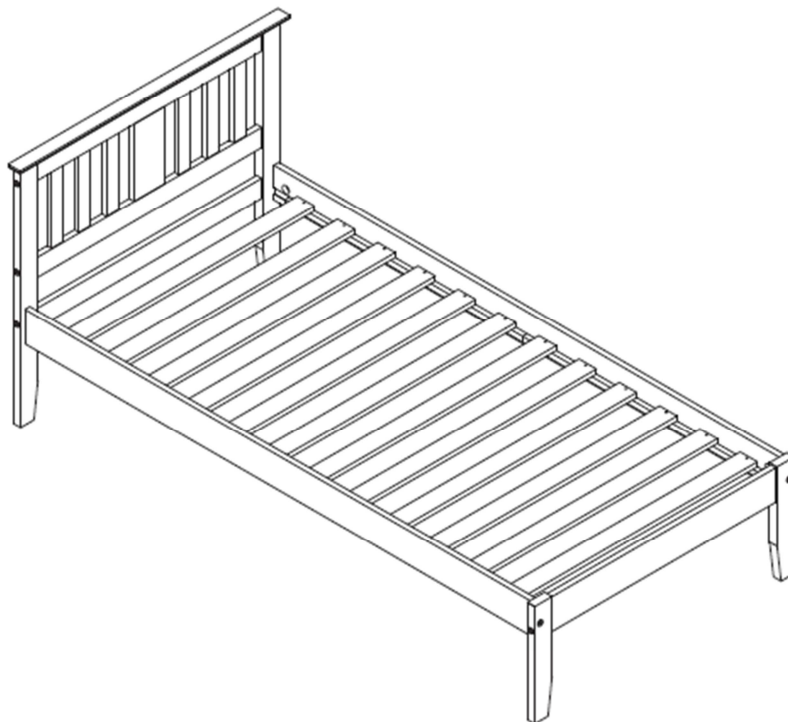
CARE & MAINTENANCE:

Periodically check all screws & fixings to ensure they are secure.

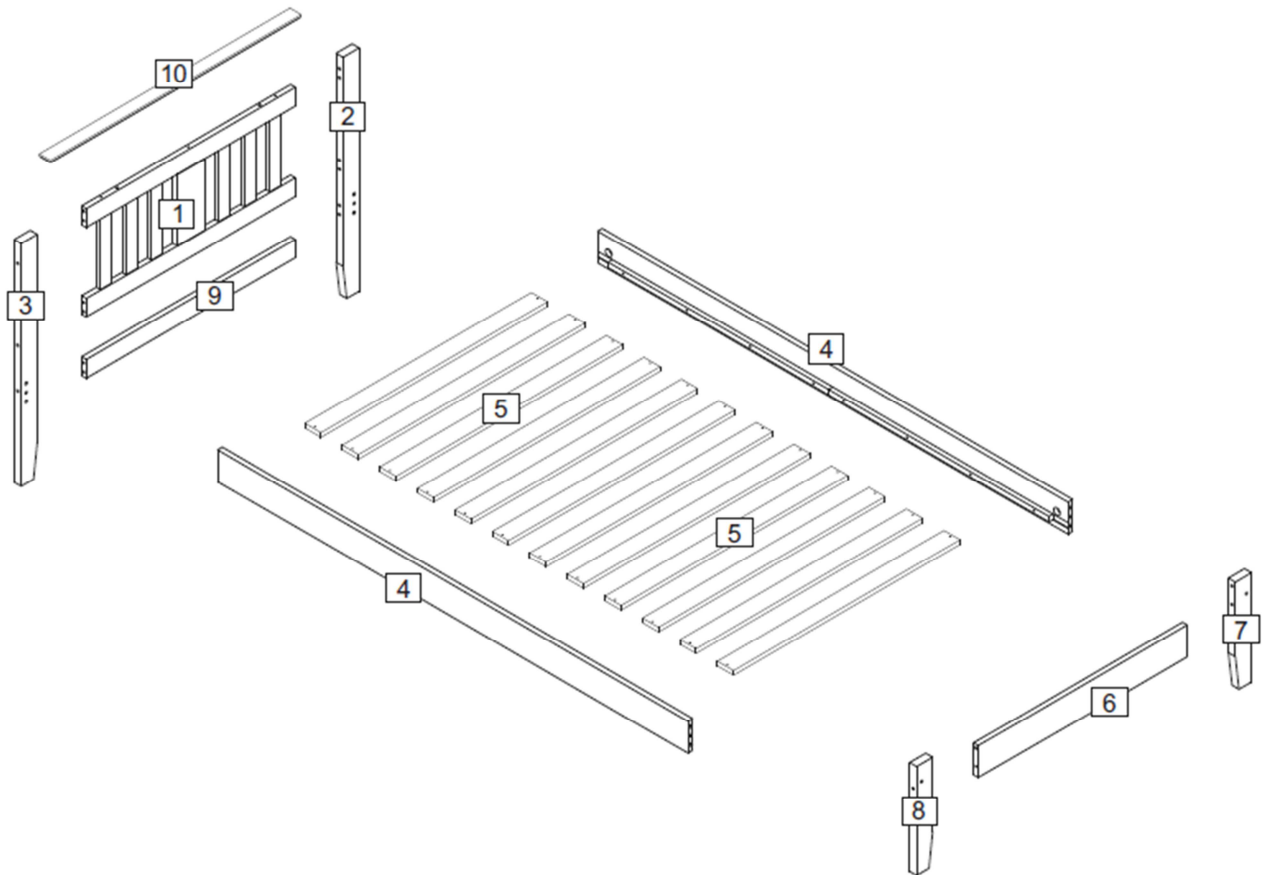
DO NOT push the bed frame as this will damage the legs.


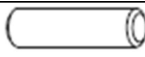


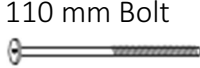


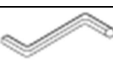
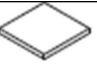
Always lift the bed with two people to reposition.

Keep any sharp objects away from the frame.

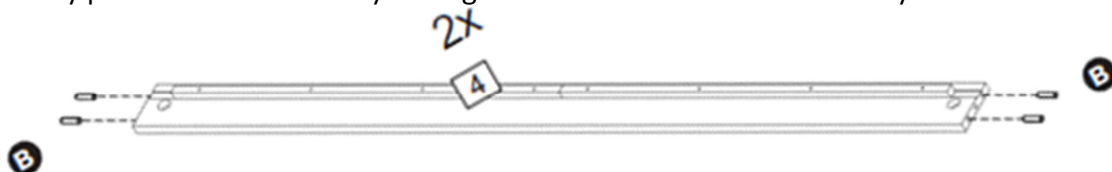


www.birlea.com



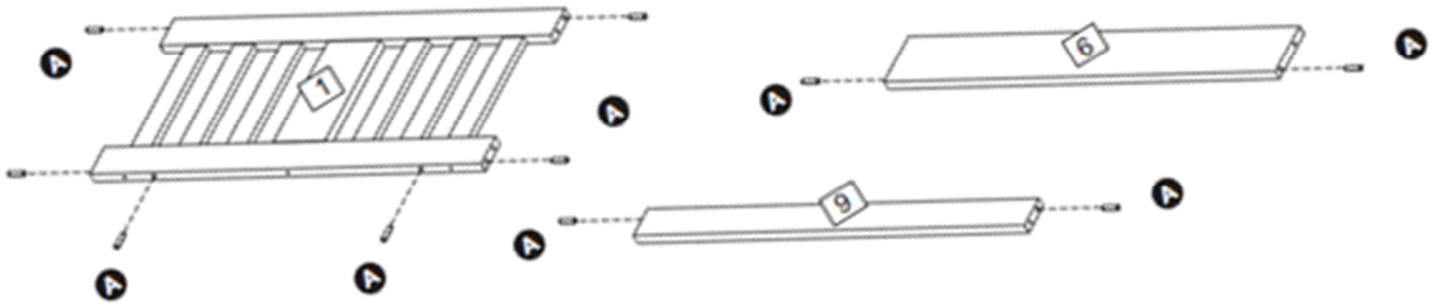
Parts List				Hardware List (found in Box 1)		
Part	Description	Box	Qty	Part	Description	Qty
1	Headend Panel	1	1	A	30 mm Wooden Dowel 	11
2	Right Headend Post	2	1	B	40 mm Wooden Dowel 	8
3	Left Headend Post	2	1	C	30 mm Screw 	
4	Side Rail	2	2	D	35 mm Screw 	48
5	Slat	1	12	E	110 mm Bolt 	8
6	Footend Panel	2	1	F	70 mm Bolt 	4
7	Right Footend Post	1	1	G	Elliptical Nut 	4
8	Left Footend Post	1	1	H	Allen Key 	1
9	Headend Rail	1	1	J	Spacer 	2
10	Headend Plinth	2	1	** You will need a screwdriver, small mallet and M11 spanner (not provided).		

Step 1: Insert hardware part B to the side rails (4) using a small mallet (not provided).
 DO NOT use any power tools as this may damage the frame and will invalidate any claim.



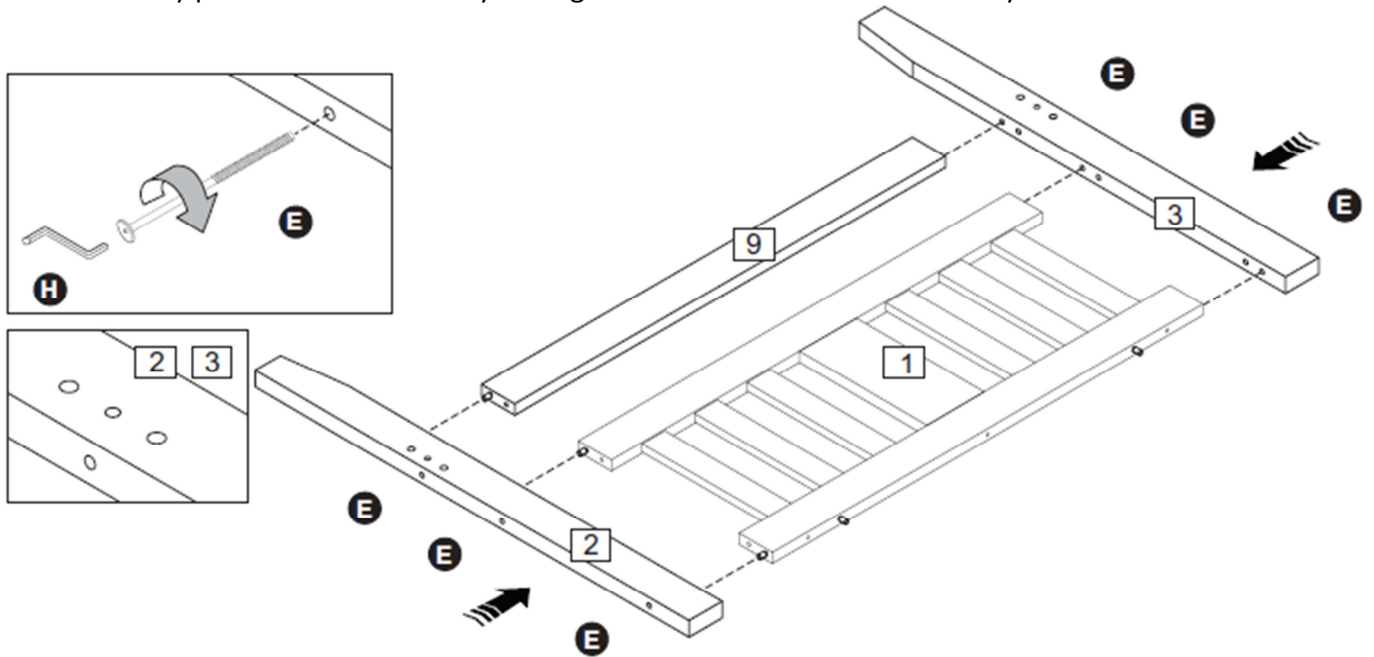
Step 2: Insert hardware part A to the headend panel (1), footend panel (6) and headend rail (9) using a small mallet (not provided).

DO NOT use any power tools as this may damage the frame and will invalidate any claim.



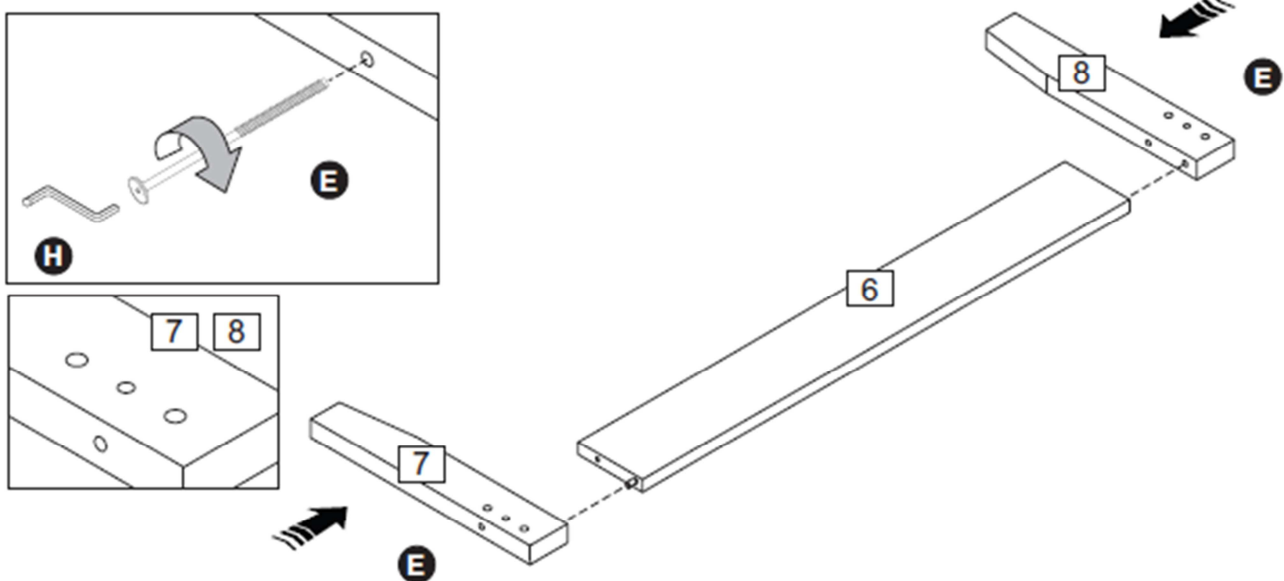
Step 3: Attach the right headend post (2) and left headend post (3) to the headend panel (1) and headend rail (9) using hardware parts E and H.

DO NOT use any power tools as this may damage the frame and will invalidate any claim.

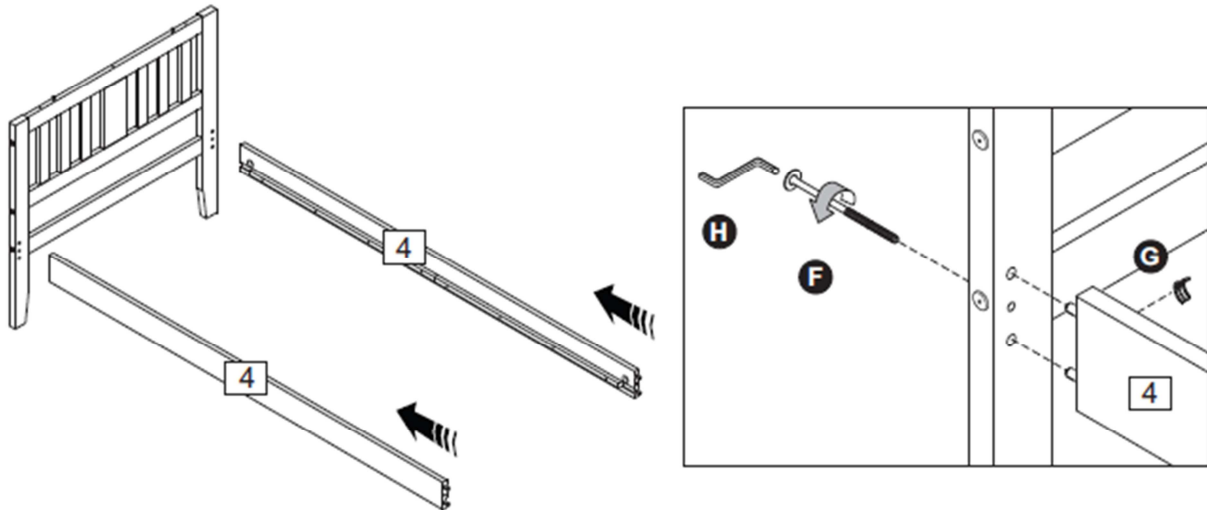


Step 4: Attach the right footend post (7) and left footend post (8) to the footend panel (6) using hardware parts E and H.

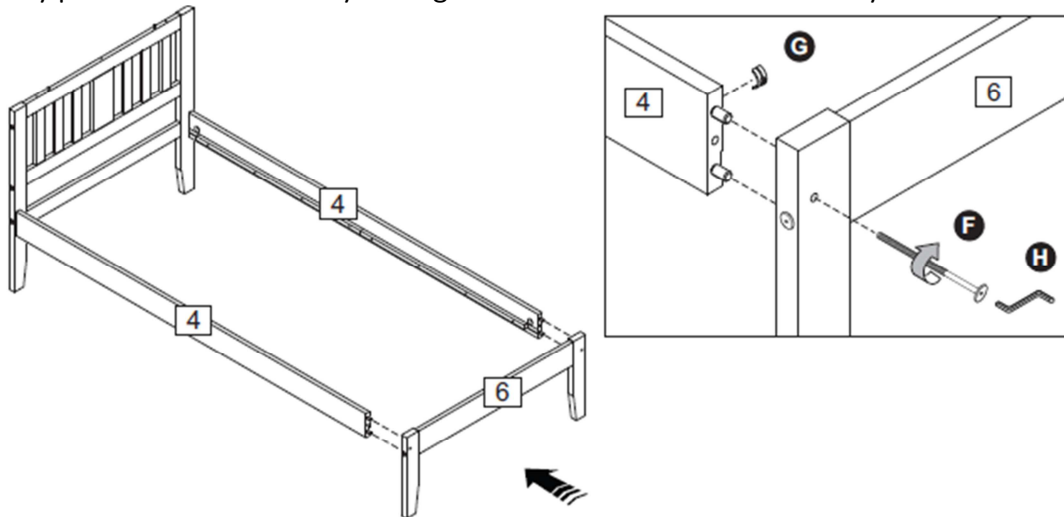
DO NOT use any power tools as this may damage the frame and will invalidate any claim.



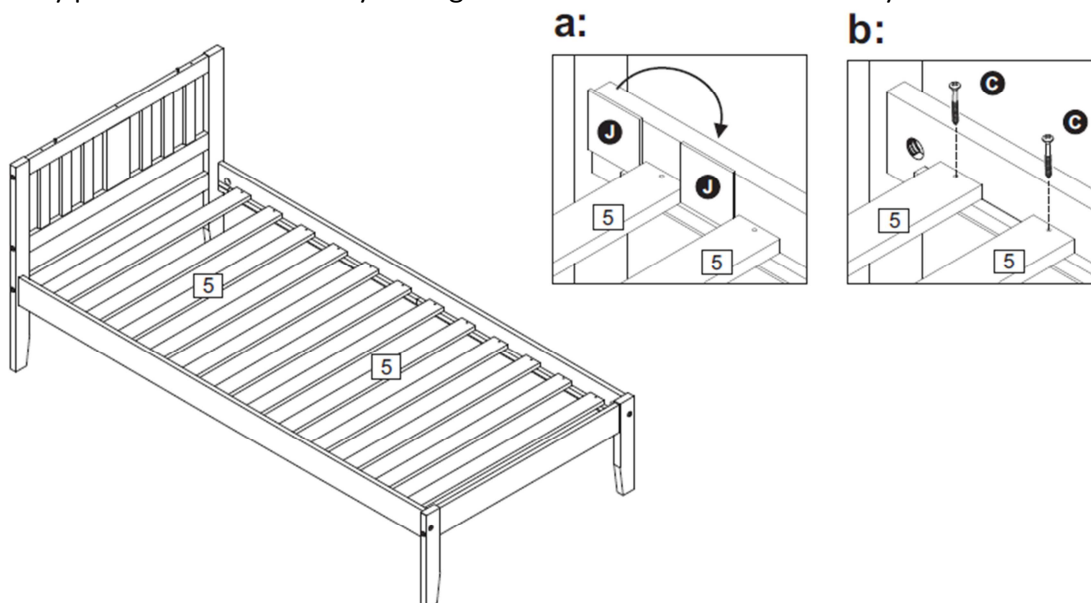
Step 5: Attach the side rails (4) using hardware parts F, G and H.
 DO NOT use any power tools as this may damage the frame and will invalidate any claim.



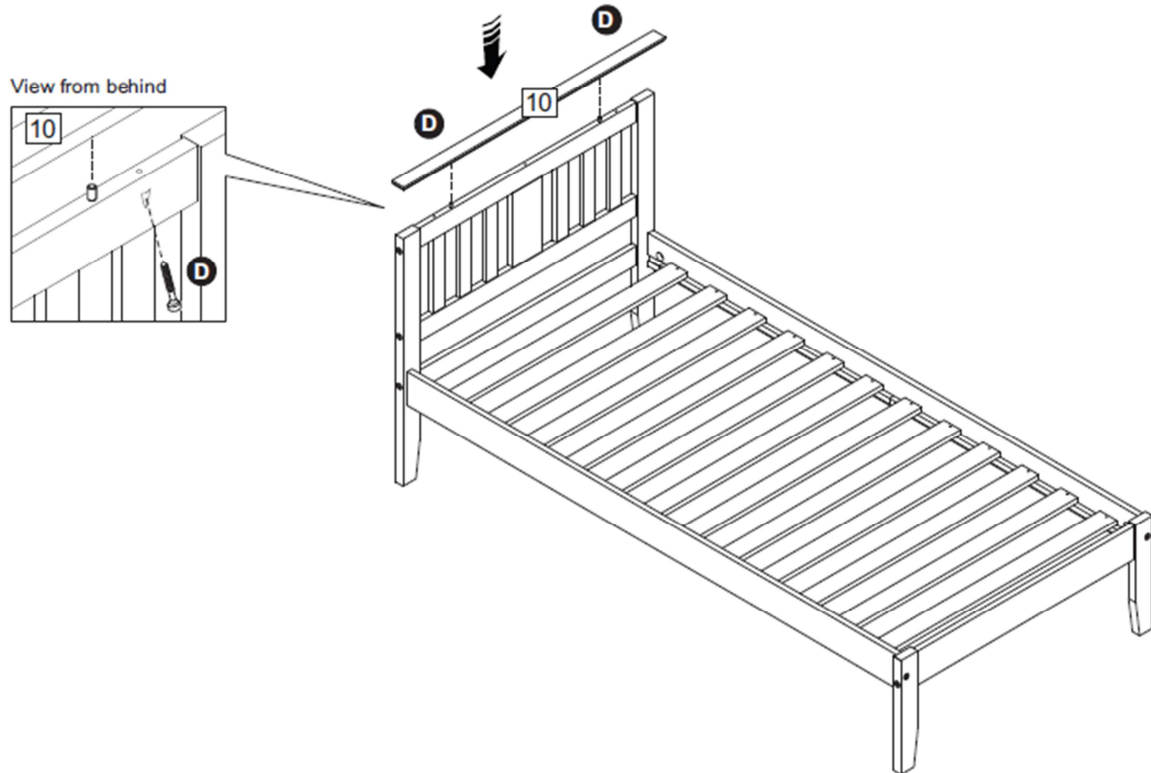
Step 6: Attach the footend using hardware parts F, G and H.
 DO NOT use any power tools as this may damage the frame and will invalidate any claim.



Step 7: Secure the slats (5) in position using hardware parts C and J with a screwdriver (not provided) making sure to start from the ends and work towards the middle.
 DO NOT use any power tools as this may damage the frame and will invalidate any claim.



Step 8: Attach the headend plinth (10) using hardware part D and a screwdriver (not provided).
DO NOT use any power tools as this may damage the frame and will invalidate any claim.



Additional Information:

- For complete product information, images and dimension diagrams please visit the website www.birlea.com
- If you have any issues with your item please contact the retailer directly you purchased it from who will be able to resolve any issues with Birlea.
- Why don't you send us photos of your assembled furniture to info@birlea.com to be shared in our #birleahome feature on Instagram.