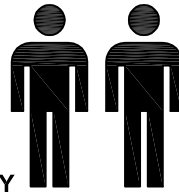


DESCRIPTION: MARIETTA QUILTED BED (4FT6)

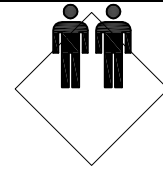
1 hrs

APPROXIMATE ASSEMBLY TIME

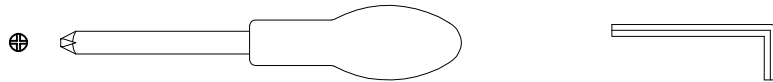
2 PERSON ASSEMBLY



FLOOR AREA
2.5M X 2.5M

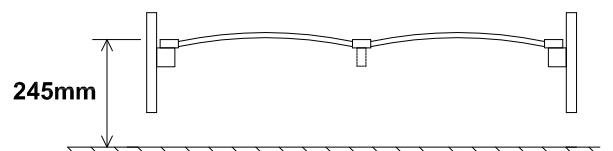
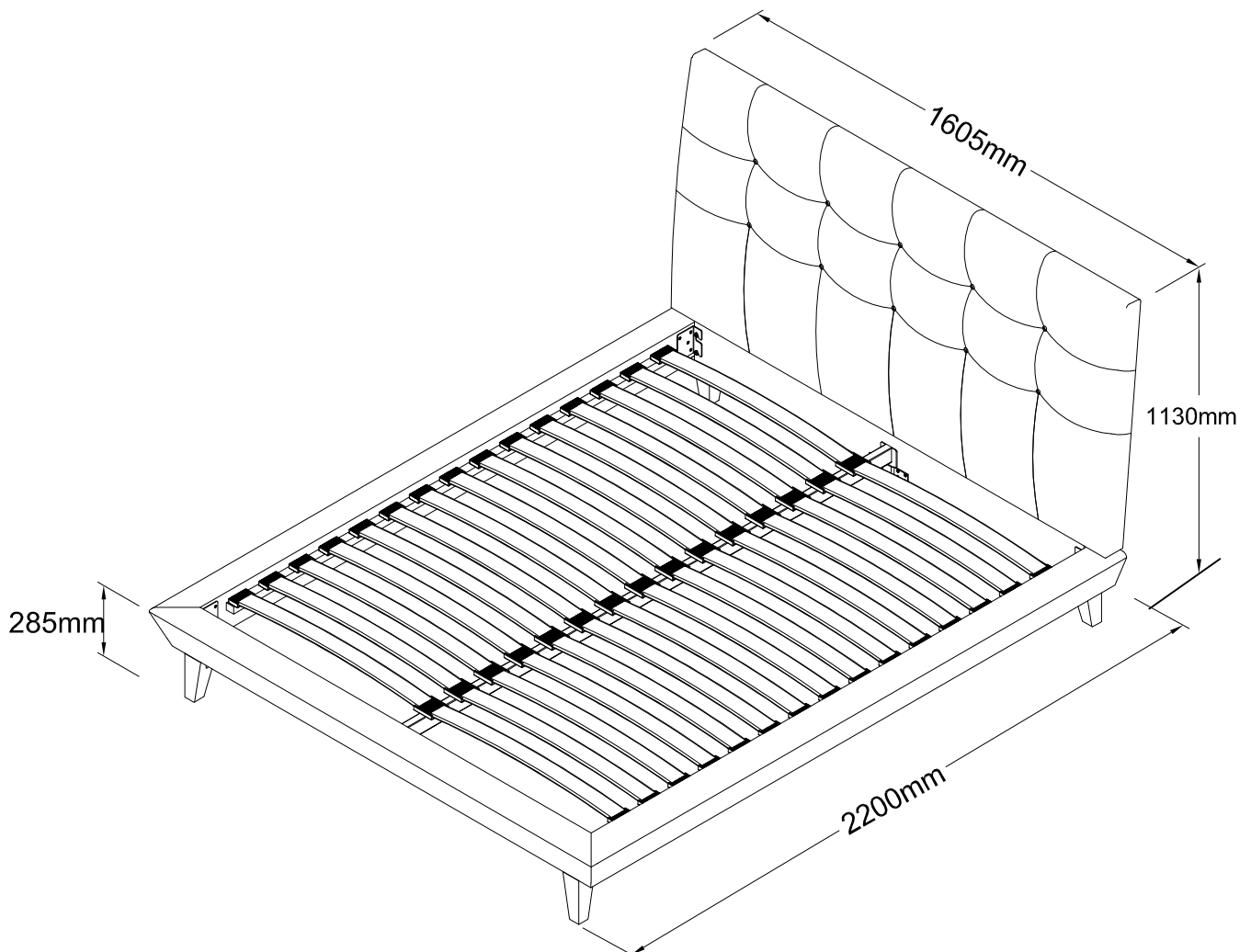


REQUIRED ASSEMBLY SPACE



INCLUDED ASSEMBLY TOOLS

ASSEMBLED DIMENSIONS



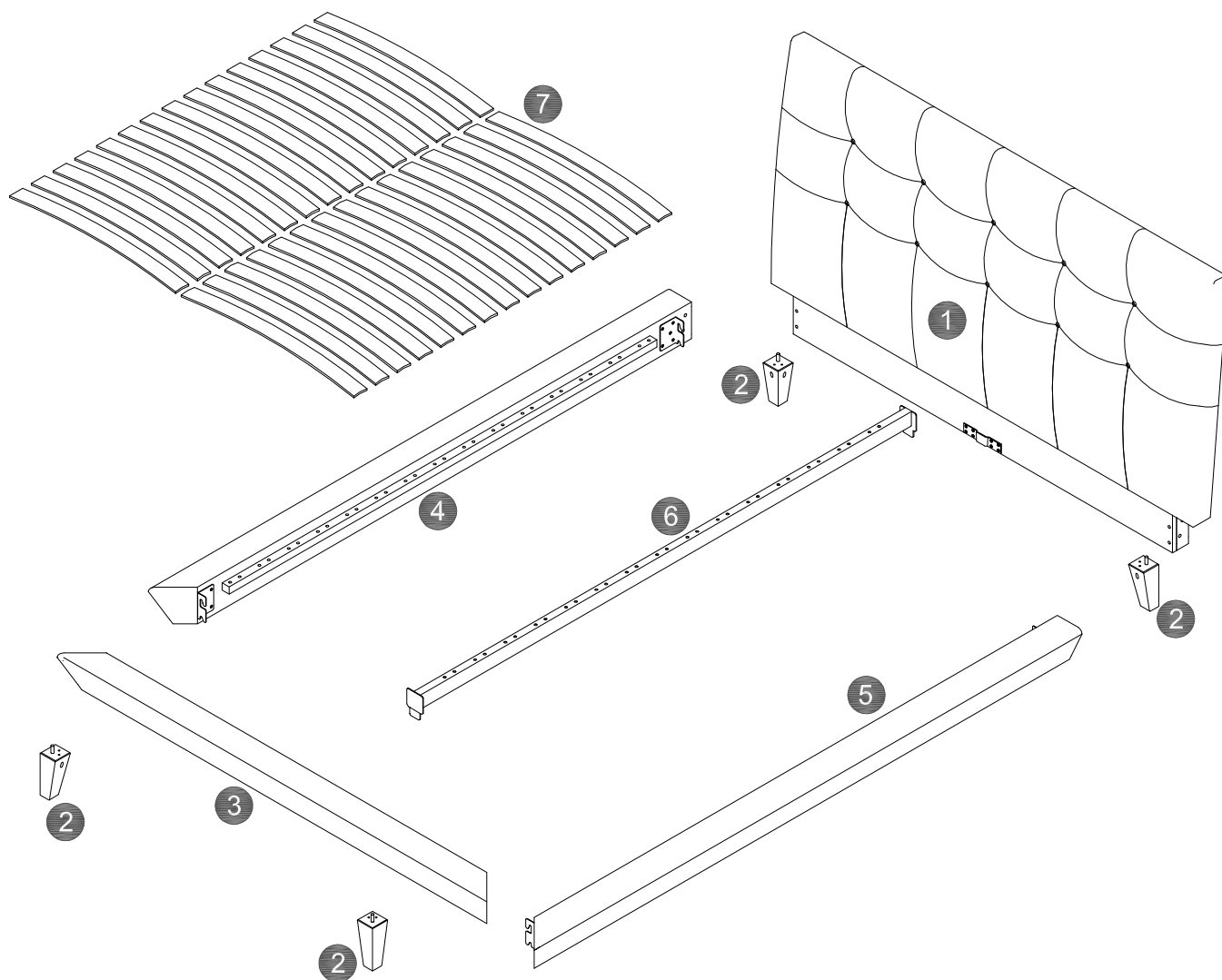
Internal size for mattress = 1390mm x 1950mm

'Original Instruction'

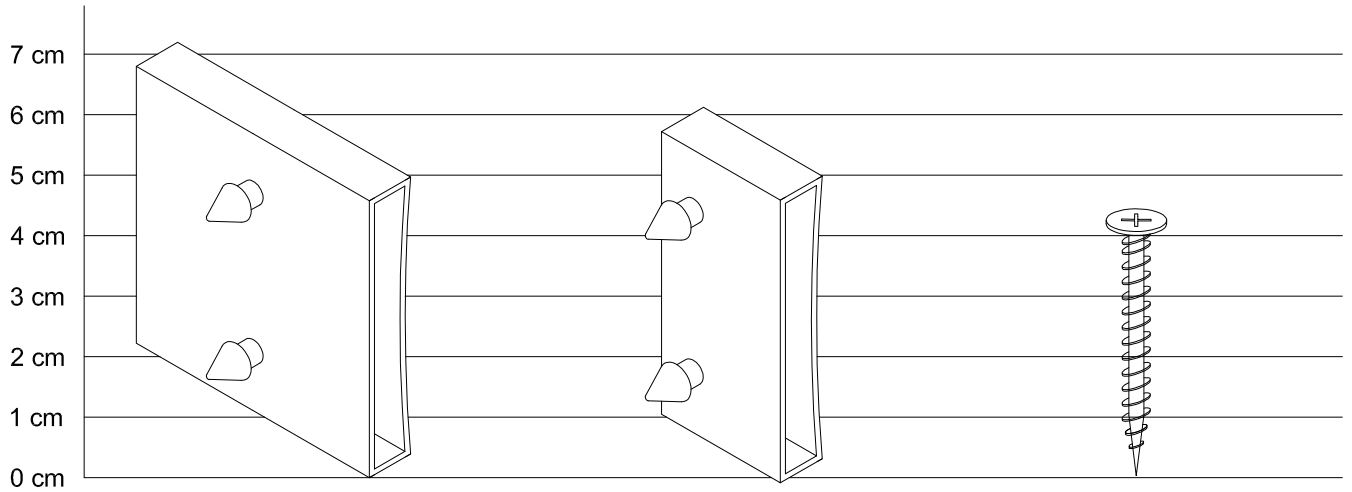
PARTS LIST

NO.	PART LISTS	QTY
1.	HEADBOARD	1
2.	LEGS	4
3.	FOOTBOARD	1
4.	SIDE RAIL LEFT	1
5.	SIDE RAIL RIGHT	1
6.	CENTER RAIL	1
7.	SLATS	30

CARTON 1 CONSISTS OF PART : 1, 2
 CARTON 2 CONSISTS OF PART : 3
 CARTON 3 CONSISTS OF PART : 4, 5, 6, A1, SCREW DRIVER
 CARTON 4 CONSISTS OF PART : 7 , SLATS CAPS



HARDWARE LIST



15x

A

CENTER CAP

30x

B

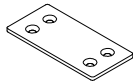
END CAP

8x

#8 X 1-1/2"

C

SCREW



2x

86 X 40mm

D

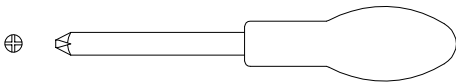
METAL
PLATE



1x

E

ALLEN KEY
(M5)



1x

F

SCREW DRIVER
(4" x 5mm)

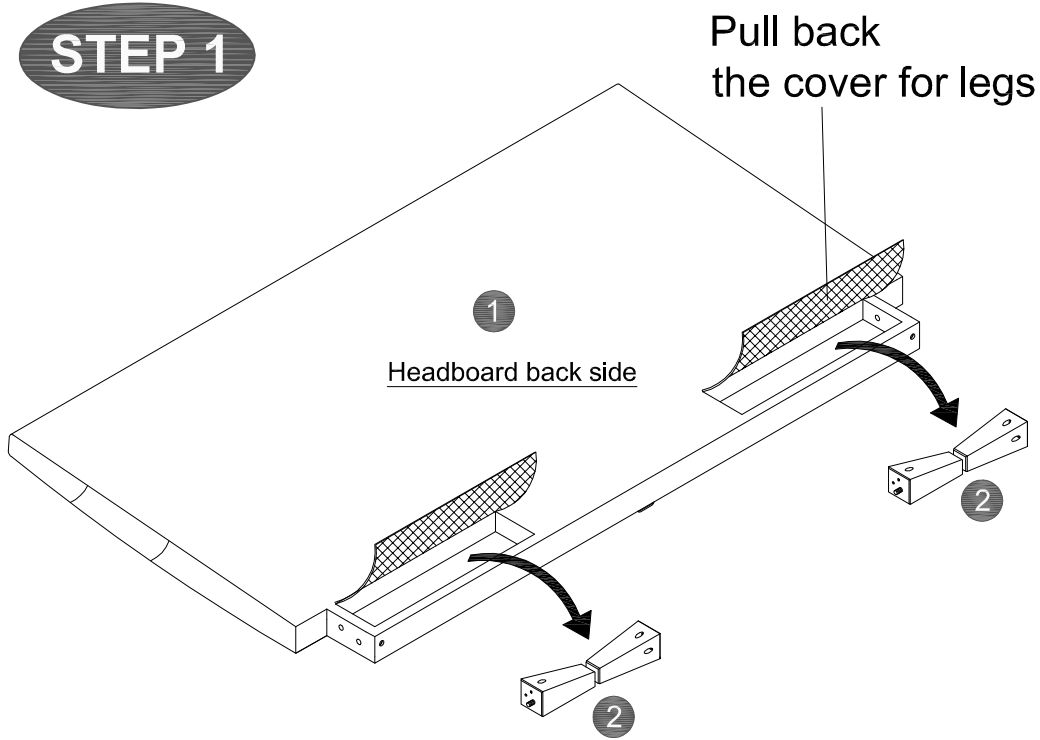
Top Tips before you start!

1. Please check that all parts are present before you start the assembly of your furniture.
2. For ease and speed of assembly, we recommend that before you commence each step of the assembly, that you identify all the parts required for that step.
3. For larger items, please ensure that you have sufficient space and people (as indicated on page 1) to assemble your product safely.
4. We recommend that, where possible, all items are assembled near to the area in which they will be placed in use, to avoid moving the product unnecessarily once assembled.
5. For the protection of your furniture, particularly items of high gloss finish, we recommend that the product is placed on a protected surface during assembly to prevent any damage.
6. During assembly please take care not to over-tighten any fittings, as this may damage the product.

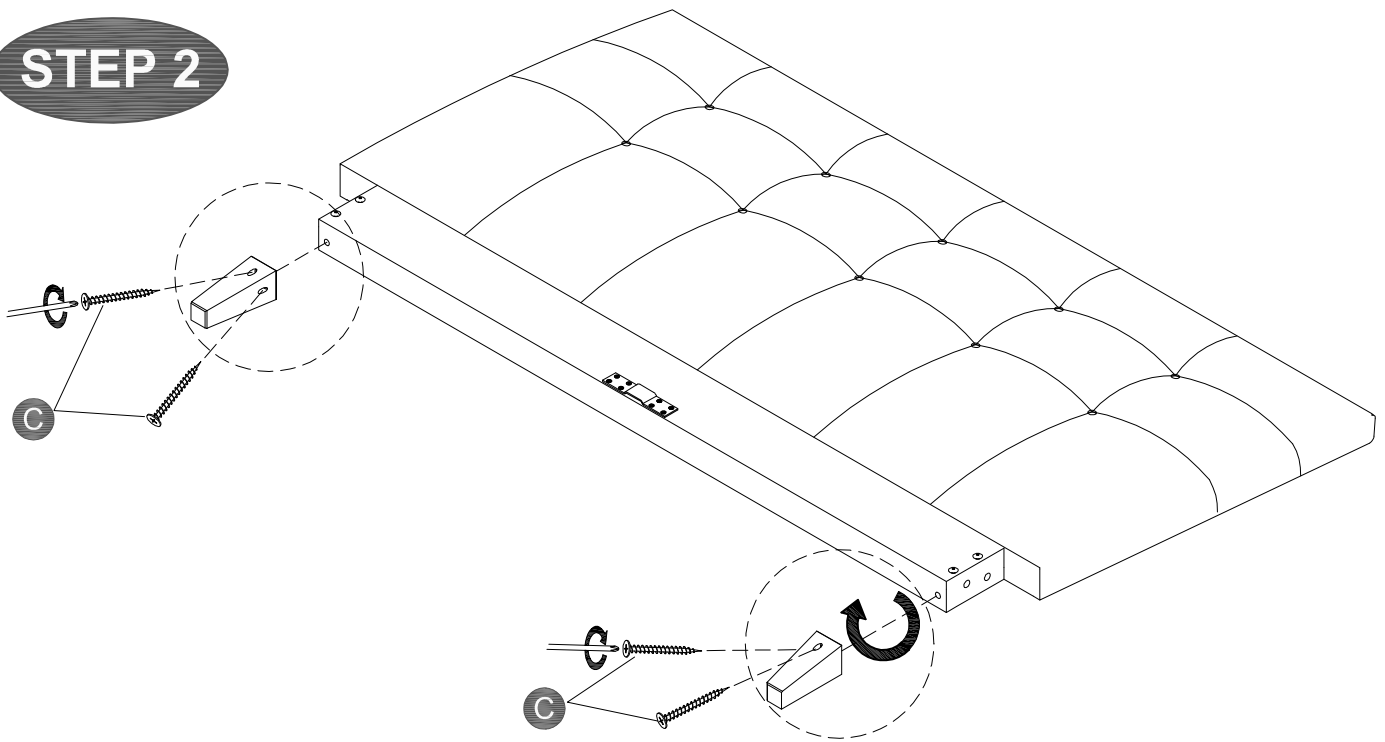
Care and Maintenance of your Furniture

- Please periodically check all fittings and re-tighten as necessary.
- To clean periodically dust lightly with a clean soft cloth.
- Periodically check the condition of your bed slats and plastic locating caps to ensure they are in good condition and have not become loose.
- Take care when moving the bed, it is best to lift the bed so remove mattress first. Never drag the bed across the floor as this will cause damage to the joints.
- Please kindly take account of your floor covering when assembling a new bed! If the floor offers little resistance (such as wood or laminate) then it is recommended to use rug or similar be placed under each leg.

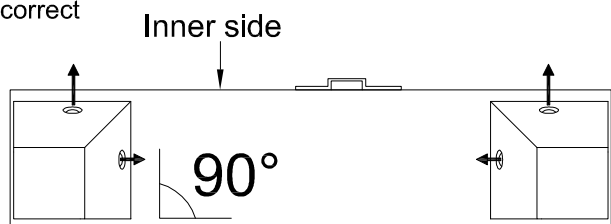
STEP 1



STEP 2



correct

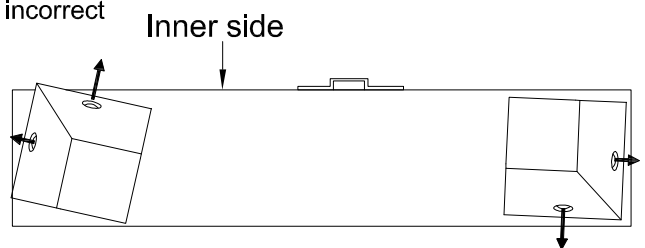


Fully tighten the legs.

Bottom view

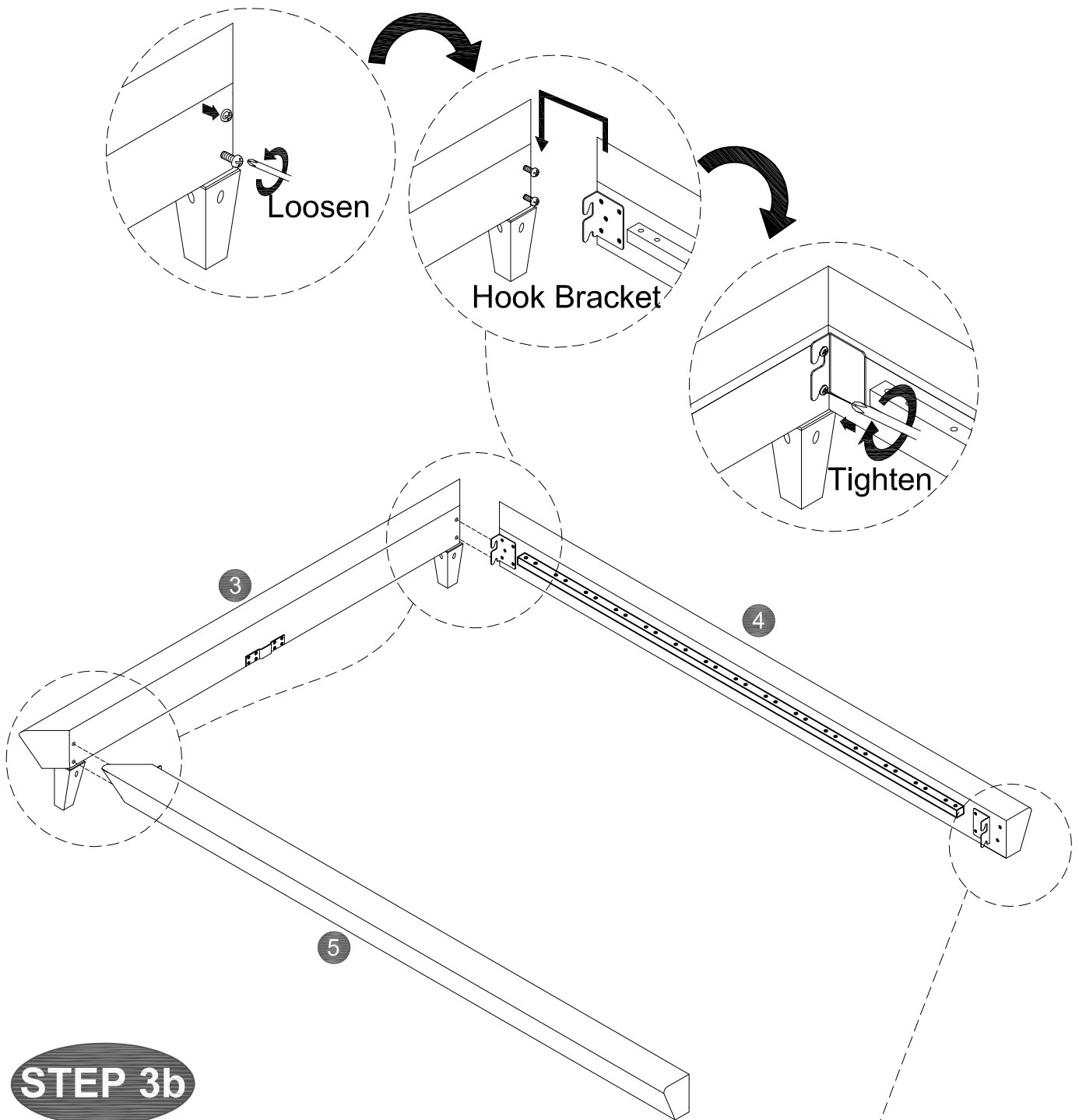


incorrect



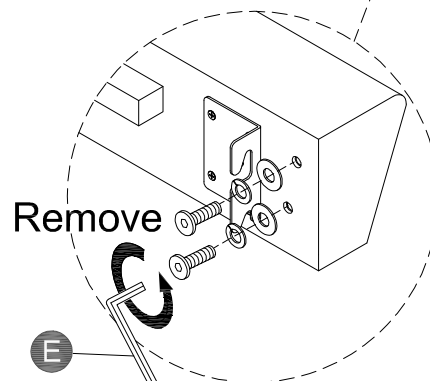
Bottom view

STEP 3a

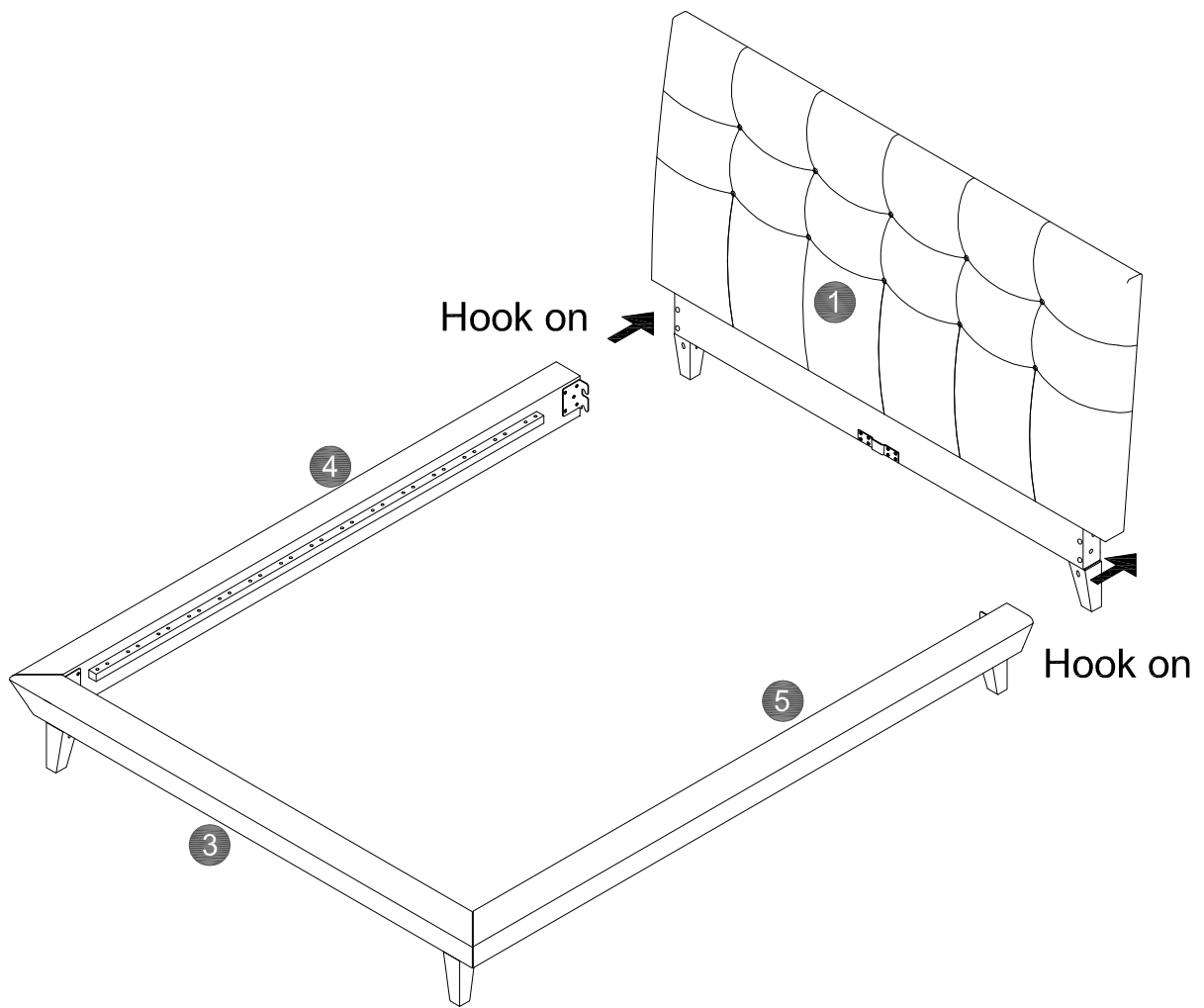
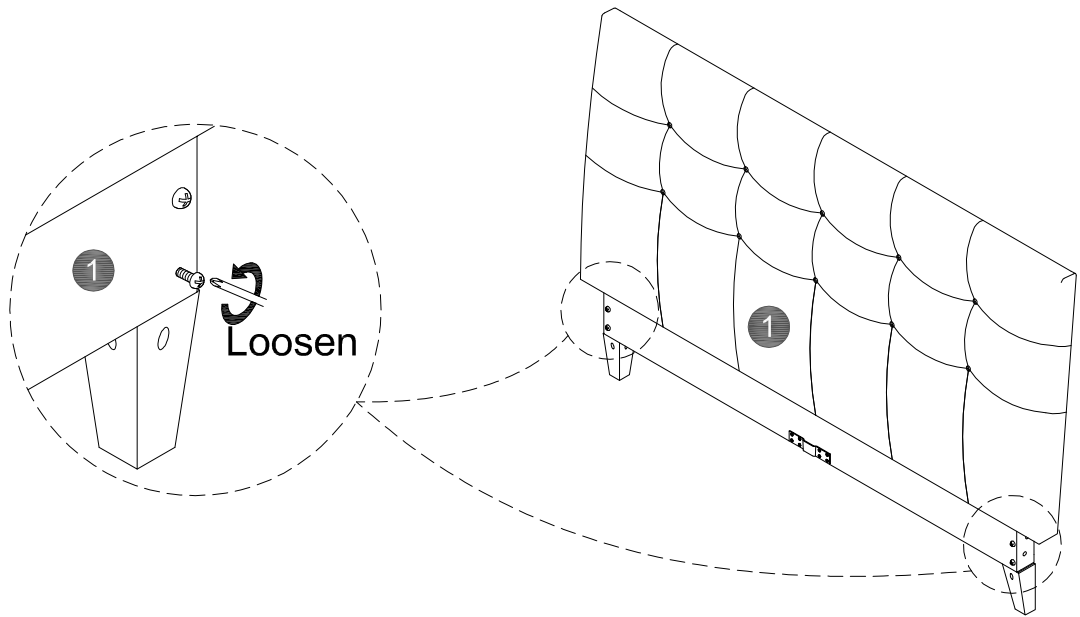


STEP 3b

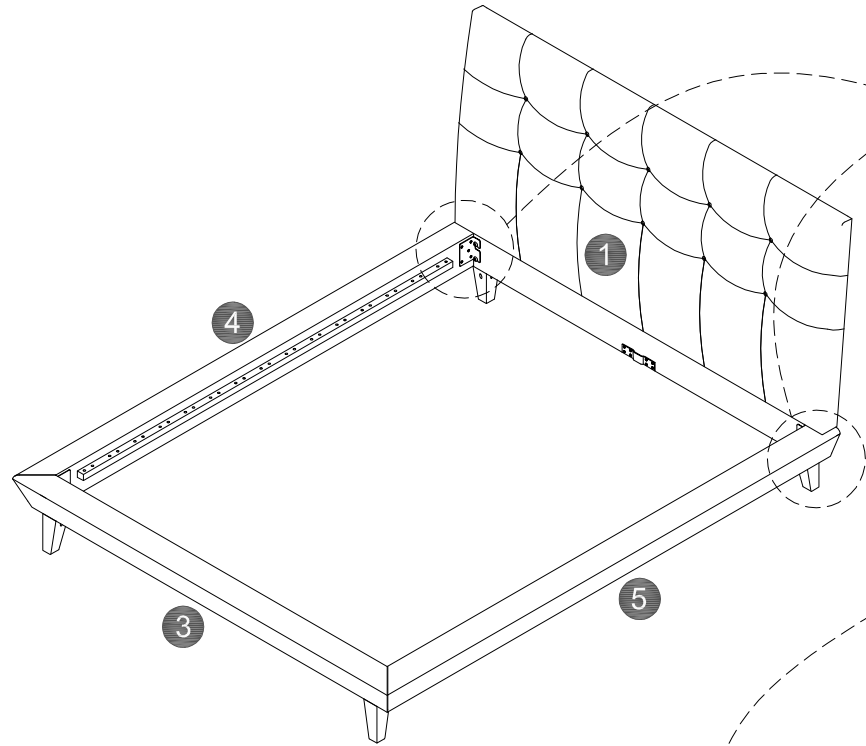
Remove bolts and set aside to use later



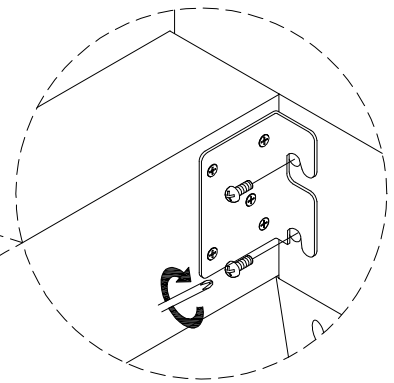
STEP 4



STEP 5

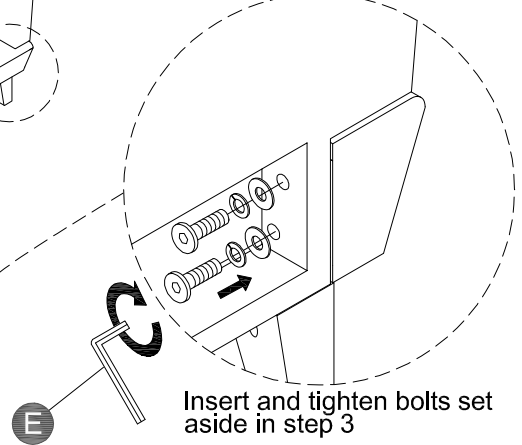


Step 5-1

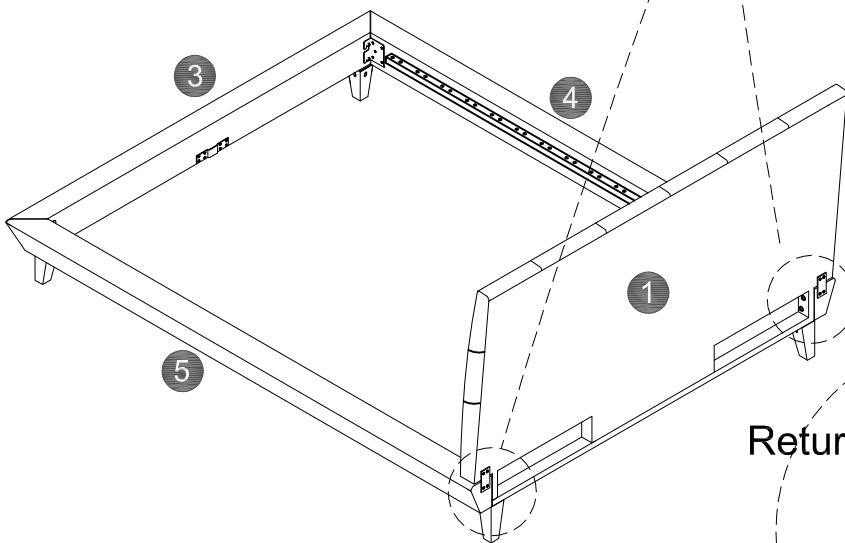


In this step, loosely assemble the screws, do not fully tighten until ALL the screws been locate.

Step 5-2

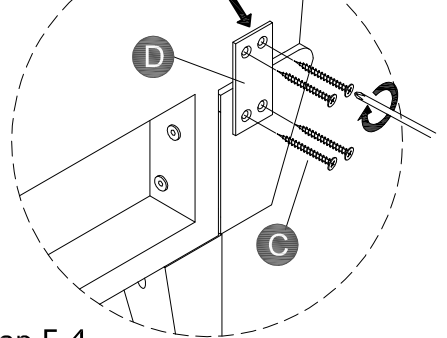


Insert and tighten bolts set aside in step 3

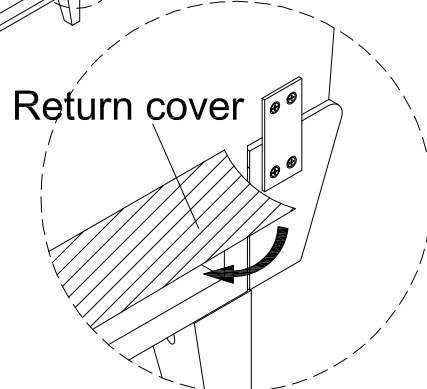


Step 5-3

Attach metal plate.



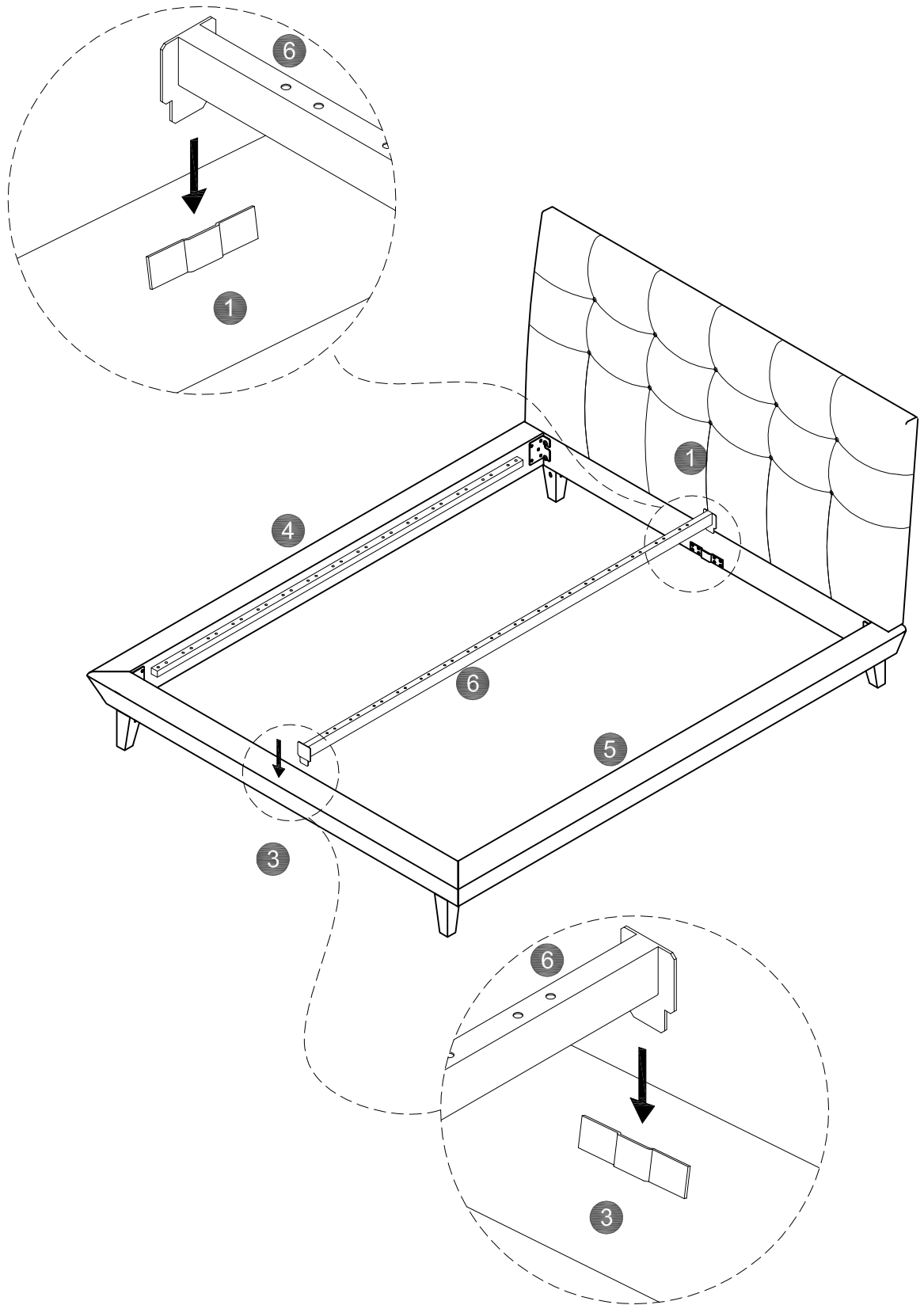
Step 5-4



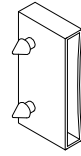
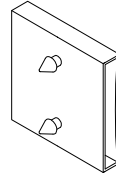
Return cover

STEP 6

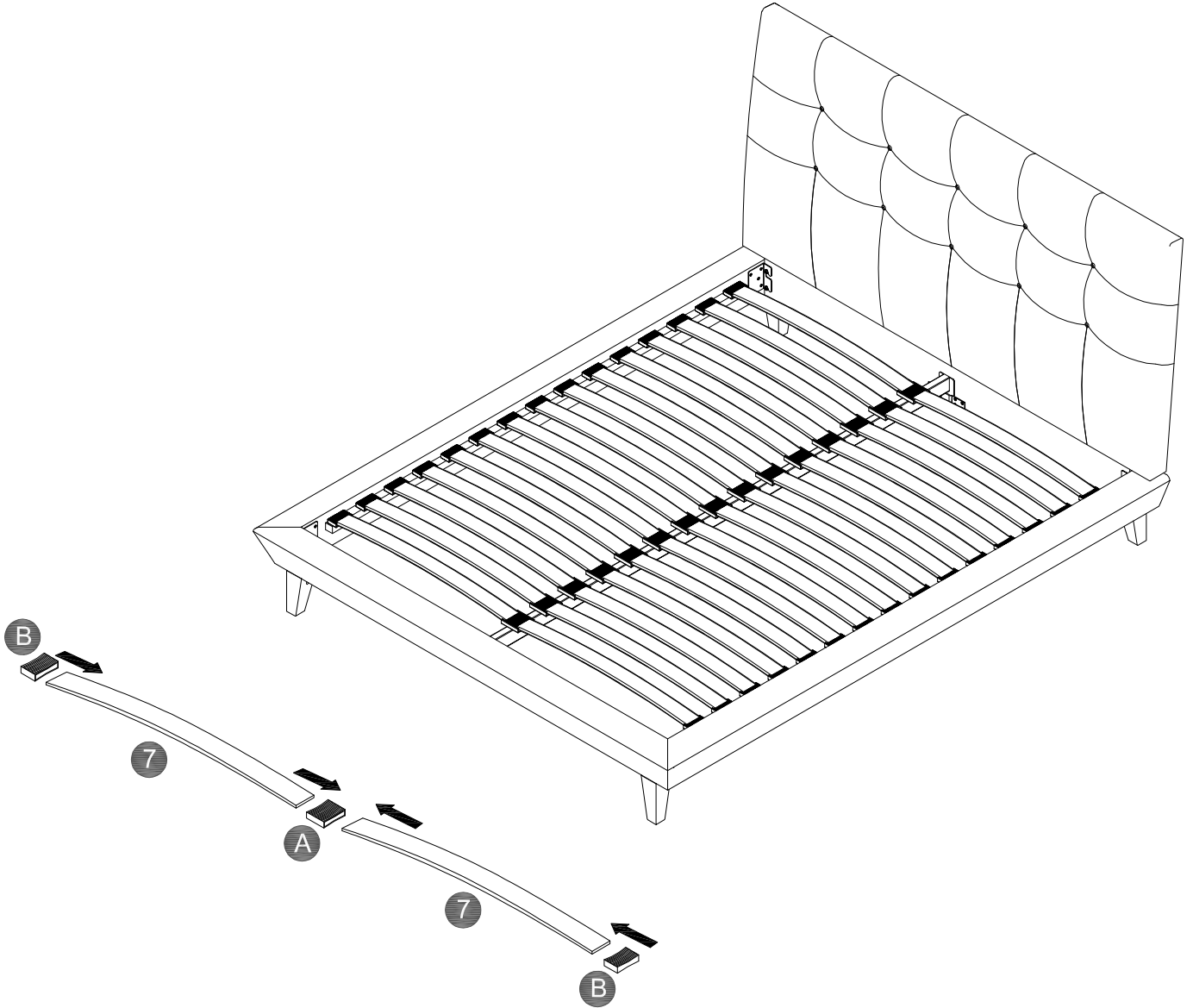
Insert centre rail into fixings at head and foot ends.



STEP 7

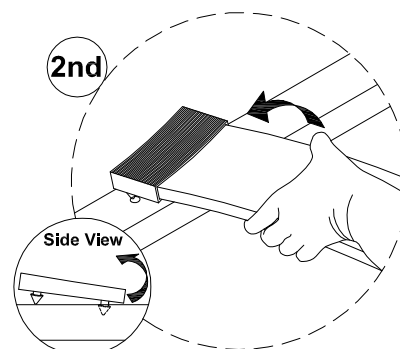
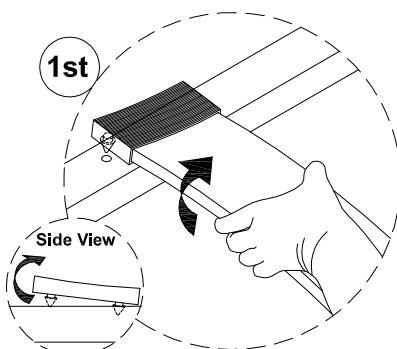


A Centre Cap X 15 **B** End Cap X 30



If the bed frame requires dismantling remove slats:

STEP TO OPEN SLAT CAP :



STEP 8

