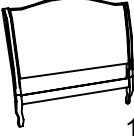
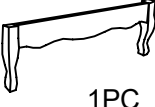









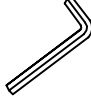
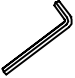

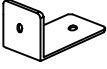

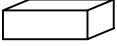
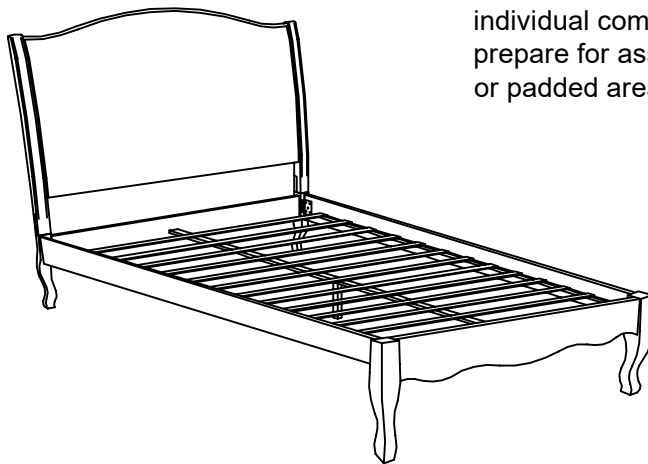


# ASSEMBLY INSTRUCTION

## GENEVIEVE KING BED + SUPER KING BED

<b>A</b> HEADBOARD  1PC	<b>B</b> FOOTBOARD PANEL  1PC	<b>C</b> SIDE RAILS  2PCS	<b>D</b> CENTER SUPPORT  1PC
<b>E</b> SUPPORT LEG  1PC	<b>F</b> BED SLATS  14PCS	<b>G</b> JCBB M8 X 25MM  8PCS	<b>H</b> JCBC M6 X 60MM  1PC
<b>I</b> JCBC M6 X 15MM  4PCS	<b>J</b> SPRING WASHER M8  8PCS	<b>K</b> FLAT WASHER M8  8PCS	<b>L</b> ALLEN KEY M5  1PC
<b>M</b> ALLEN KEY M4  1PC	<b>N</b> ADJUSTER M6  1PC	<b>O</b> L/BRACKET  2PCS	<b>P</b> CSK M4 X 32MM  28PCS
<b>Q</b> SPACER  2PCS			

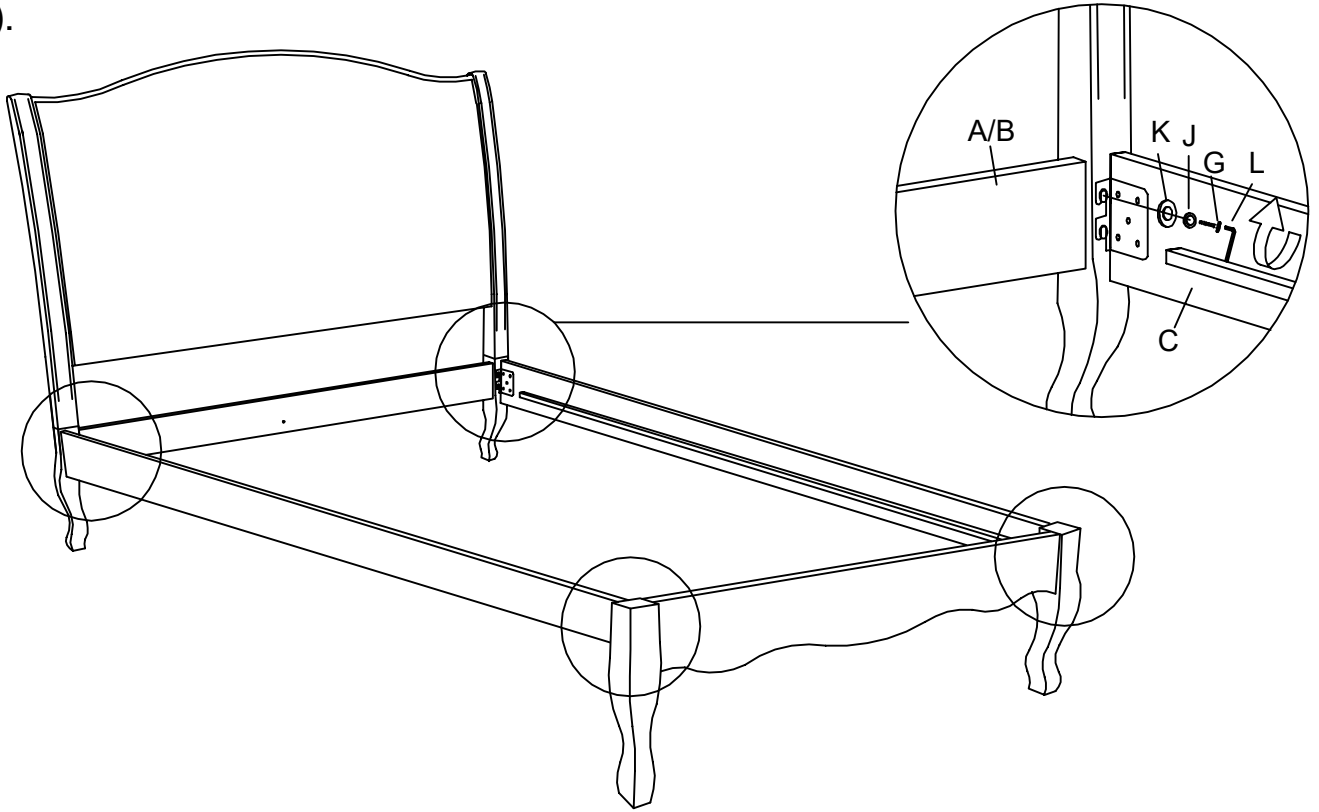


This page lists all the contents included in the box. Please take the time to identify the hardware as well as the individual components to this product. As you unpack and prepare for assembly, place the contents on the carpeted or padded area to protect them from damage.

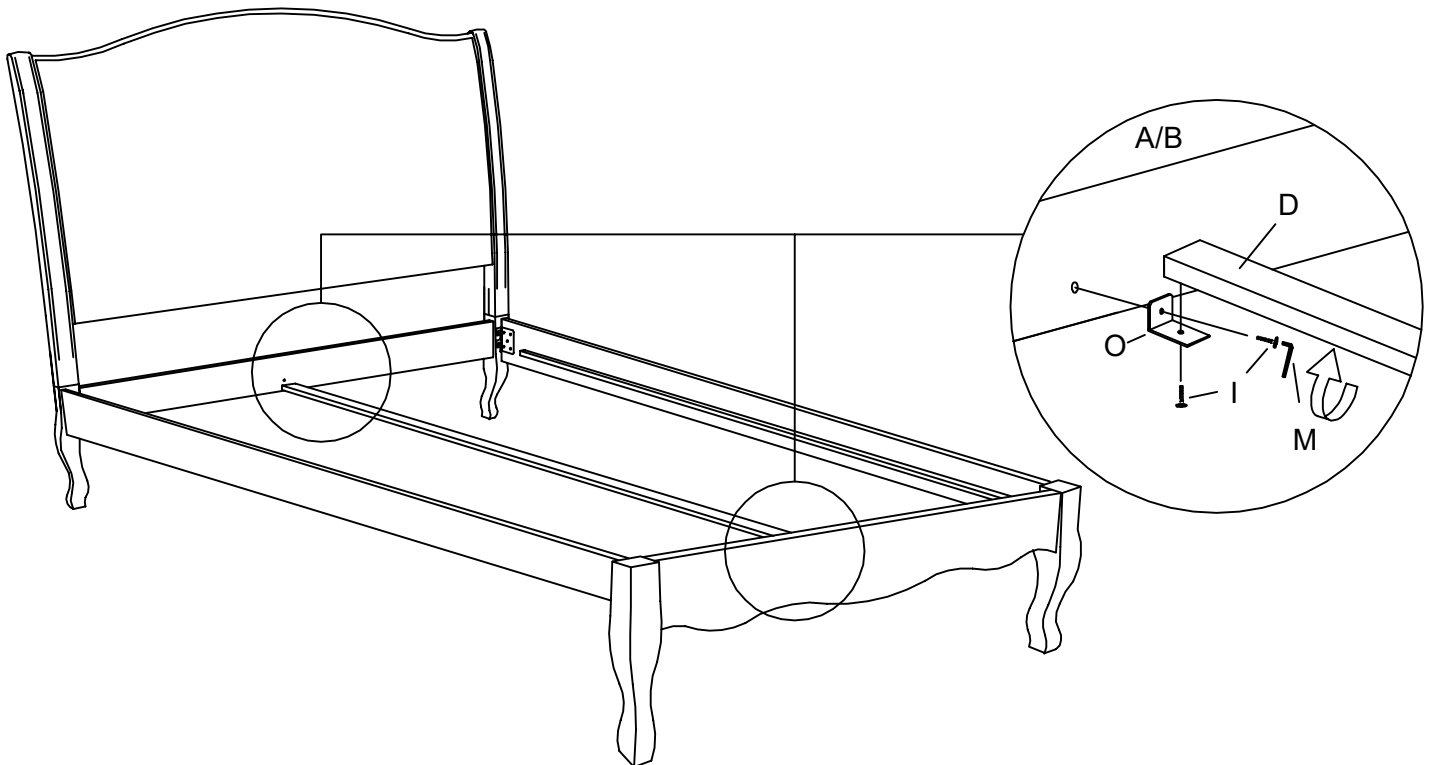
# ASSEMBLY INSTRUCTION

## GENEVIEVE KING BED + SUPER KING BED

- 1** Insert JCBB M8 X 25mm (G) Spring Washer M8 (J) Flat Washer M8 (K) to Side Rail (C) connection Headboard (A)/Footboard Panel (B) by Allen Key M5 (L).



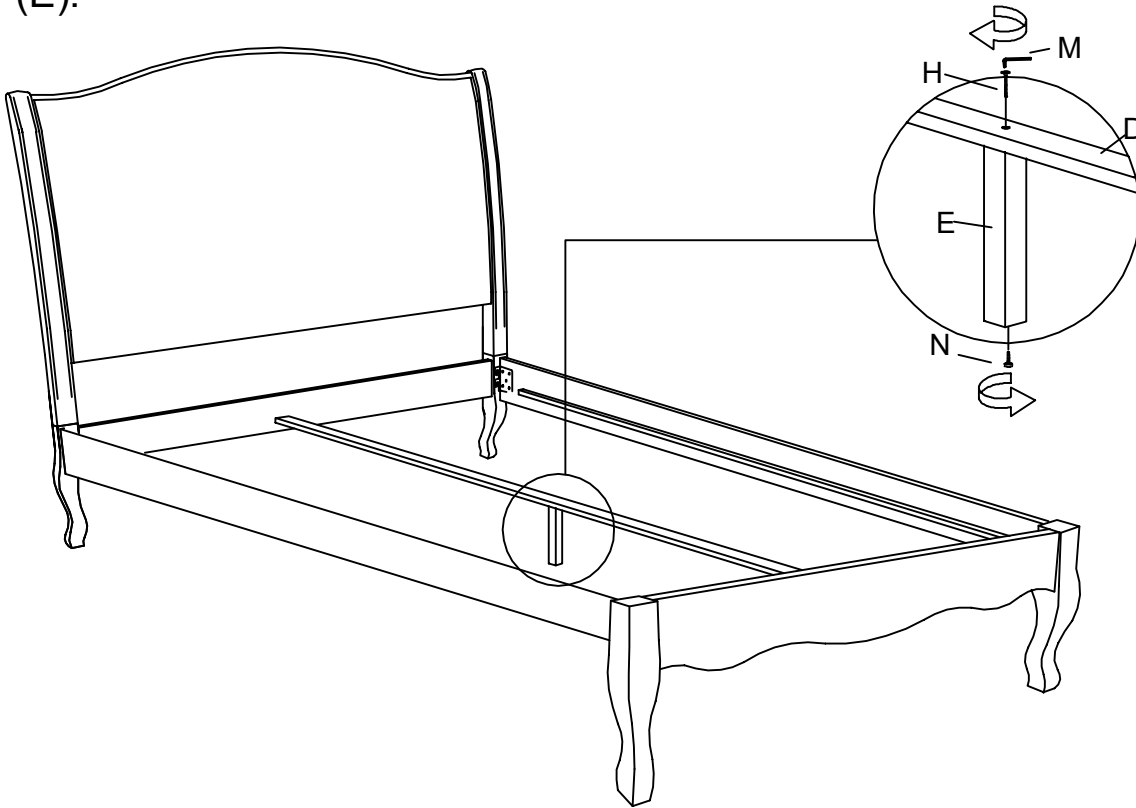
- 2** Insert JCBC M6 X 15mm (I) to L/Bracket (O) to Center Support (D) connection Headboard (A)/Footboard Panel (B) by Allen Key M4 (M).



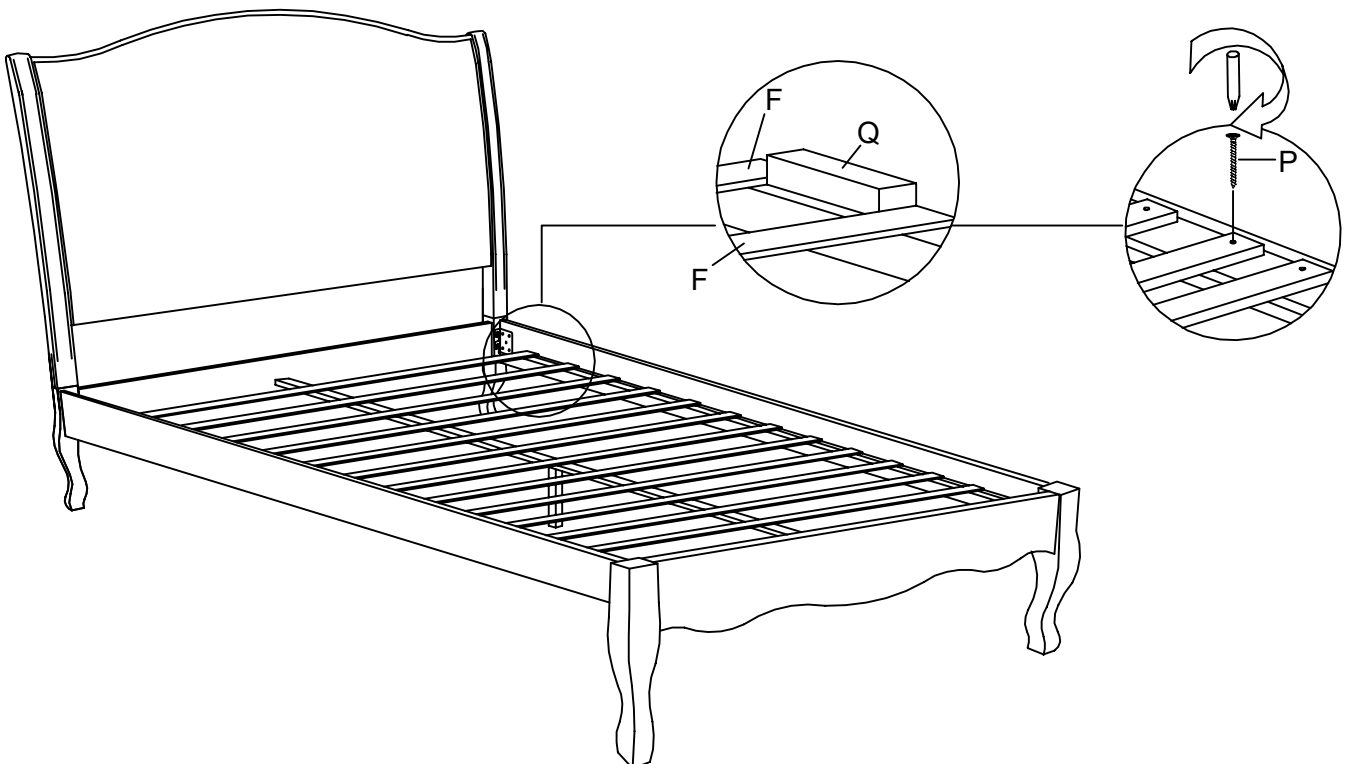
# ASSEMBLY INSTRUCTION

## GENEVIEVE KING BED + SUPER KING BED

- 3** Insert JCBC M6 X 60mm (H) to Center Support (D) & Support Leg (E) by Allen Key M4 (M) and turn the Adjuster M6 (N) into the bottom of the Support Leg (E).



- 4** Use Spacer (Q) to adjust Slat (F) space. Insert CSK M4 X 32mm (P) to Bed slat (F) connection Side Rail Shelf (C).



# PROBLEMS?

SHOULD YOU ENCOUNTER ANY DIFFICULTY WITH THE  
ASSEMBLY OF YOUR BED, PLEASE DO NOT TROUBLE  
YOUR RETAILER BUT

CALL, FAX, E-MAIL or WRITE to our  
**CUSTOMER SERVICES DEPARTMENT**

BETWEEN THE HOURS OF  
9.00am to 5.00pm MONDAY to THURSDAY  
and  
9.00am to 4.00pm FRIDAY

Tel : 01455 850 150

Fax: 01455 848 169

Email: [info@limelightbeds.co.uk](mailto:info@limelightbeds.co.uk)

Limelight Beds Ltd

Orbital House

Arthur Street

Barwell

Leicestershire

LE9 8GZ

Please have the following information ready for our staff

- Product Name
- Part Number

see our range on website:

[www.limelightbeds.co.uk](http://www.limelightbeds.co.uk)

## CARING FOR YOUR NEW LIMELIGHT PRODUCT

- **PLEASE NOTE:** GOODS THAT NEED TO BE RETURNED SHOULD BE SENT BACK IN ITS ORIGINAL PACKAGING.
- When assembling your bed, please ensure that you have checked the contents for all relevant parts.
- When tightening bolts, do make sure that they are fully tightened but not forced.
- When moving your fully assembled bed, you must first remove the mattress and lift the frame into position; taking care when lifting and always have two people handling the bed. PLEASE DO NOT DRAG THE BED as this will cause damage to the central support legs and rail. Central legs MUST be in a vertical position at all times.
- Due to the nature of laminate flooring, we recommend that you place non-slip material under the central support legs. This will stop the legs from sliding on laminate/wooden floors and will prevent the bed from collapsing.
- It is advisable to use approved cleaning products when cleaning the furniture and bed frame as certain chemical-based cleaners could have an adverse effect on the bed's finish.
- All Limelight beds are produced to the highest standards and are packed to avoid damage in transit. Should you find that your new bed does not meet your satisfaction, please contact Limelight's Customer Services Department at 01455 850 150.