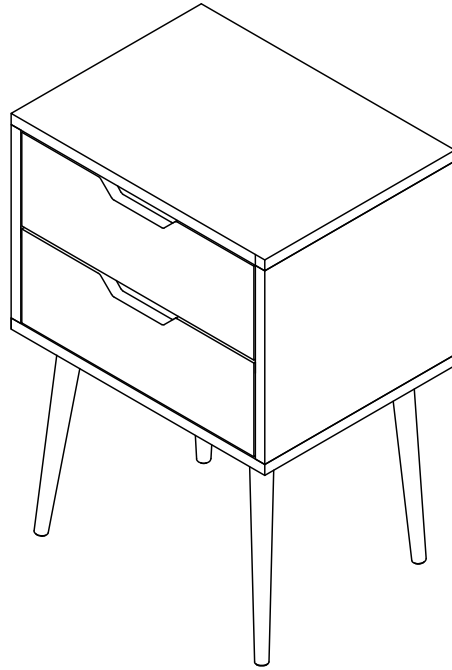


# NYBORG BEDSIDE TABLE ASSEMBLY INSTRUCTIONS

Thank you for purchasing the NYBORG BEDSIDE TABLE. Please read the instructions carefully to ensure safe operation of the product.



Size: 40x30x56cm

Colour: YELLOW, LIGHT GREY, DARK GREY, WHITE

Finish: PAINT

---

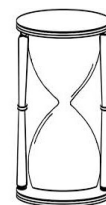
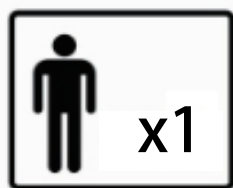
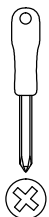
**PLEASE READ** this sheet prior to assembly to familiarise yourself with the various stages of construction.

Carefully open the pack supplied and check the contents against the parts and fittings check list. Do not destroy any of the packaging until you are certain that you have all the necessary parts for the assembly.

**CAUTION:** There are small components used in the construction of this unit. These loose items should be kept away from young children whilst assembling your unit to avoid the danger of choking hazards.

---

## Tools Required



30 Minutes  
Set Up

# NYBORG BEDSIDE TABLE ASSEMBLY INSTRUCTIONS

## IMPORTANT - READ CAREFULLY - RETAIN THESE INSTRUCTIONS FOR FUTURE REFERENCE.

### INFORMATION

- Due to the size of this product we recommend that it is assembled in the room intended for use.
- When you are ready to start, make sure that you have the right tools, plenty of space and a clean, dry area for assembly.
- Unwrap all packaging materials and place the components on top of the carton box or on a clean floor to prevent it from scratching.
- Check the pack and make sure you have all the parts listed.
- Ensure that this product is fully assembled as illustrated before use.
- Check all screws or bolts are tightened and inspect regularly
- This product should only be used on firm, level ground.
- Keep small parts out of reach of children.
- Make sure the legs remain in contact with the ground.
- Tools not included.

### WARNINGS

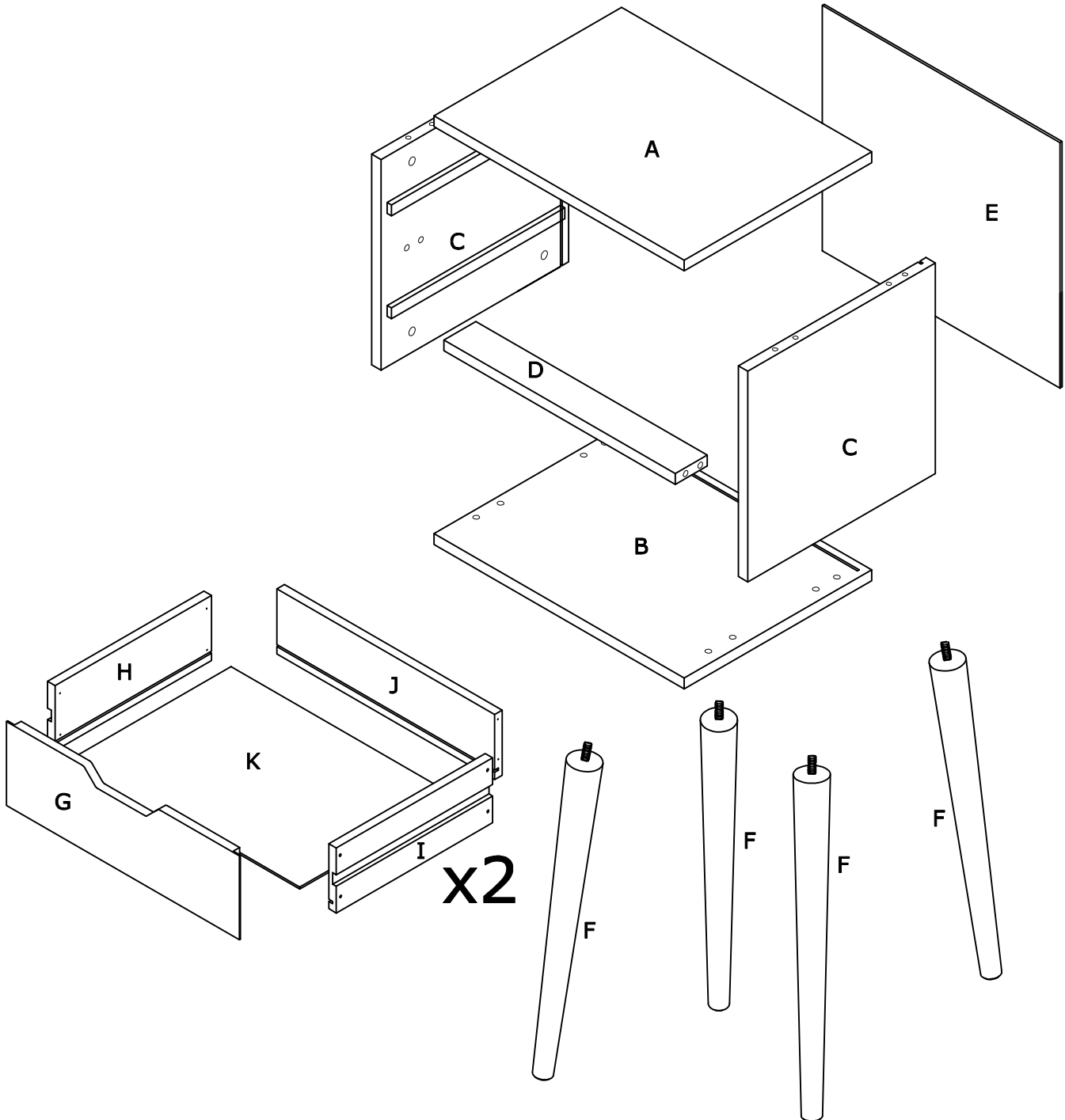
- DO NOT use power tools to construct this product.
- DO NOT over tighten screws or bolts.
- DO NOT use this product if parts are missing, damaged or worn.
- DO NOT stand on the product.
- DO NOT place very hot or very cold items on the surface unless adequately thick tablemats are used to prevent such items damaging your table top

### CARE INFORMATION

- Never use scourers, abrasives or chemical cleaners.
- To clean wipe with a sponge and warm soapy water. Do not use solvent based cleaners or detergents as they can bleach or damage the product.

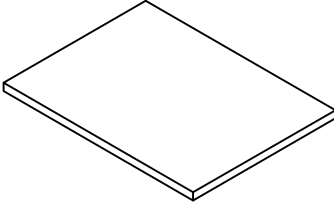
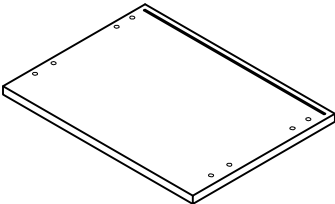
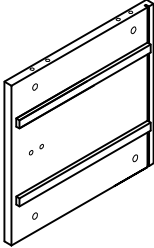
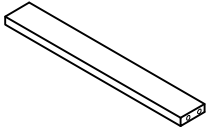
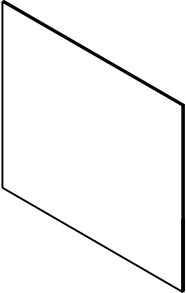

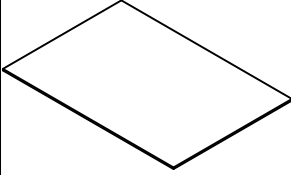
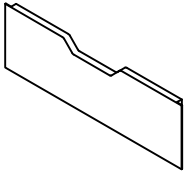
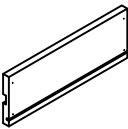
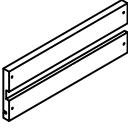
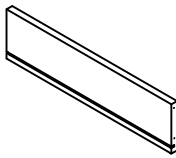
# NYBORG BEDSIDE TABLE ASSEMBLY INSTRUCTIONS

Please check the pack contents before assembling this product. If any components are missing, please contact your retailer. The fittings pack contains small items that should be kept away from small children.



# NYBORG BEDSIDE TABLE ASSEMBLY INSTRUCTIONS

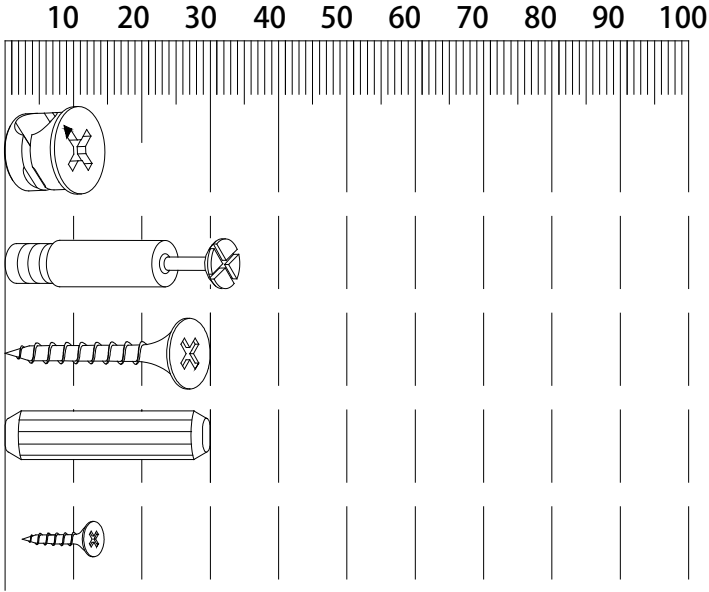
## Parts

<p><b>A</b></p> 	<p><b>B</b></p> 	<p><b>C</b></p> 	
<p>Description: Table top panel Qty: 1 PC Size: 40x30x1.5cm</p>	<p>Description: Table bottom panel Qty: 1 PC Size: 40x30x1.5cm</p>	<p>Description: Table side panel Qty: 2 PCS Size: 30x28x1.5cm</p>	
<p><b>D</b></p> 	<p><b>E</b></p> 	<p><b>F</b></p> 	<p><b>K</b></p> 
<p>Description: Support bar Qty: 1 PC Size: 36.5x5x1.5cm</p>	<p>Description: Table back panel Qty: 1 PC Size: 38x29.4x0.3cm</p>	<p>Description: Table leg Qty: 4 PCS Size: 24x3.5x3.5cm</p>	<p>Description: Drawer bottom Qty: 2 PCS Size: 35.2x26x.3cm</p>
<p><b>G</b></p> 	<p><b>H</b></p> 	<p><b>I</b></p> 	<p><b>J</b></p> 
<p>Description: Drawer front Qty: 2 PCS Size: 36.5x13.5x1.5cm</p>	<p>Description: Drawer left panel Qty: 2 PCS Size: 27x11.5x0.9cm</p>	<p>Description: Drawer right panel Qty: 2 PCS Size: 27x11.5x0.9cm</p>	<p>Description: Drawer back Qty: 2 PCS Size: 34.5x11.5x0.9cm</p>

# NYBORG BEDSIDE TABLE ASSEMBLY INSTRUCTIONS

**Fittings(to scale)**

Ref	Dimensions	Qty
<b>a</b>	Cam (15x9mm)	<b>10</b>
<b>b</b>	Cam bolt (6x35mm)	<b>10</b>
<b>c</b>	Screw (3x30mm)	<b>16</b>
<b>d</b>	wood dowel (8x30mm)	<b>10</b>
<b>f</b>	Screw (3x12mm)	<b>2</b>



**(Not to scale)**

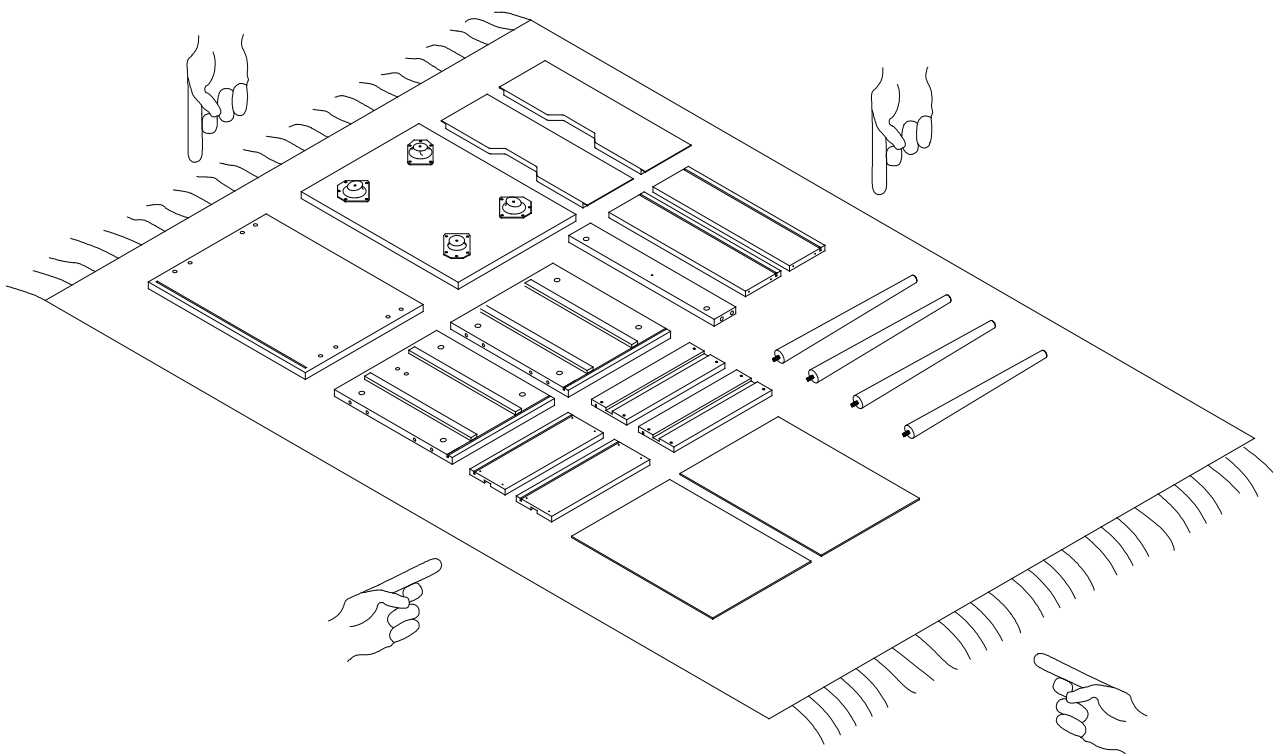
<b>e</b>	Block	<b>2</b>
----------	-------	----------



# NYBORG BEDSIDE TABLE ASSEMBLY INSTRUCTIONS

## Layout Parts on Soft Surface

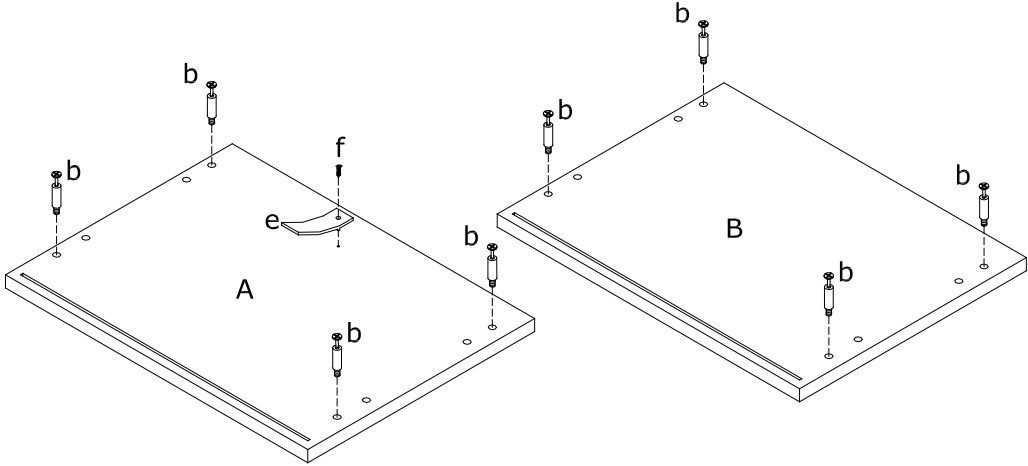
Lay out all parts on a soft surface i.e. Rug, Carpet or Packaging Carton

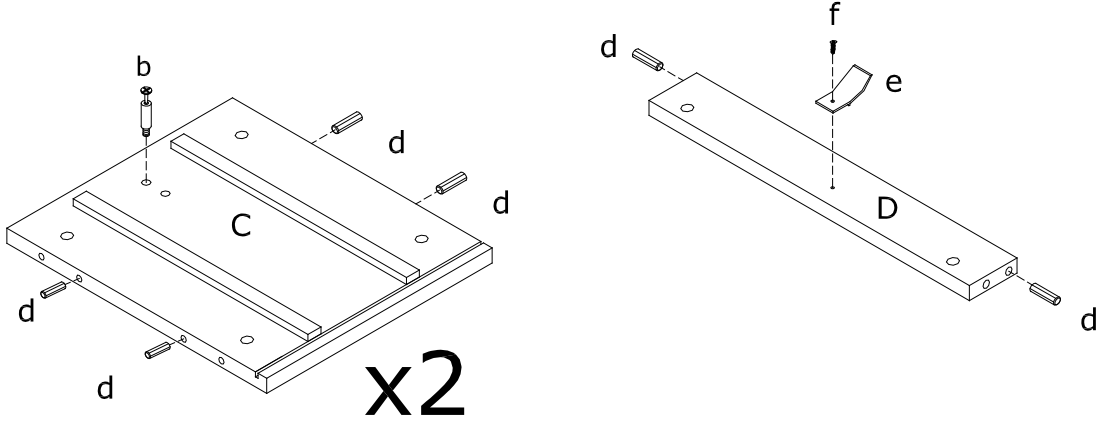


**CAUTION:**There are many small components used in the construction of this product. Please keep these components away from young children whilst assembling this product.

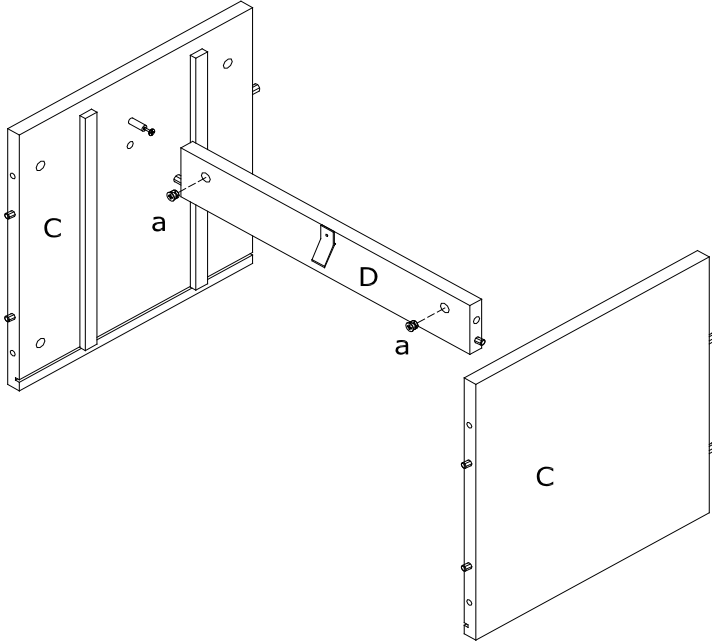
If you keep the fittings in a bowl during assembly you will be less likely to lose them!

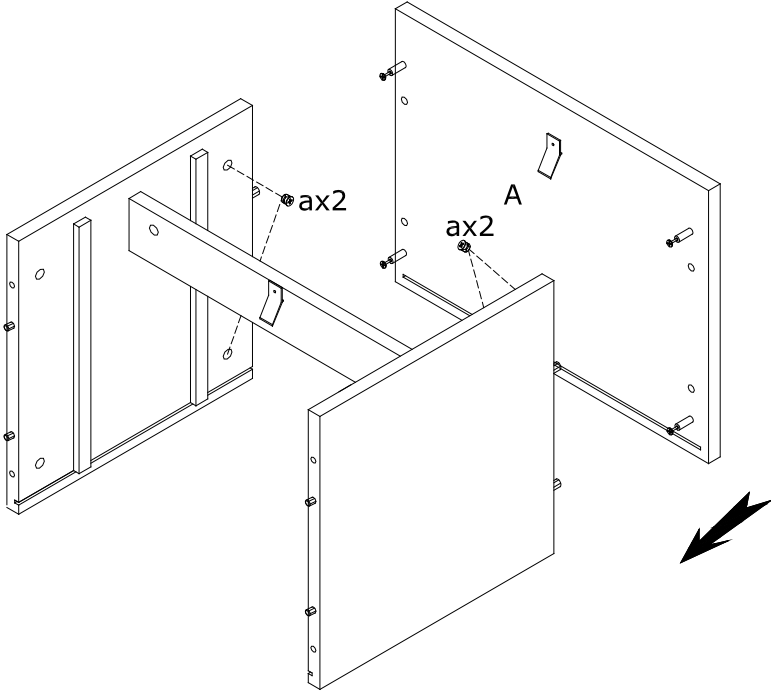
# NYBORG BEDSIDE TABLE ASSEMBLY INSTRUCTIONS

STEP 1	Parts Required
	<p>A Table top panel x1</p> <p>B Table bottom panel x1</p> <p>b Cam bolt x8</p> <p>e Block x1</p> <p>f Screw x1</p>

STEP 2	Parts Required
	<p>C Table side panel x2</p> <p>D Support bar x1</p> <p>d Wood dowel x10</p> <p>e Block x1</p> <p>f Screw x1</p> <p>b Cam bolt x2</p>

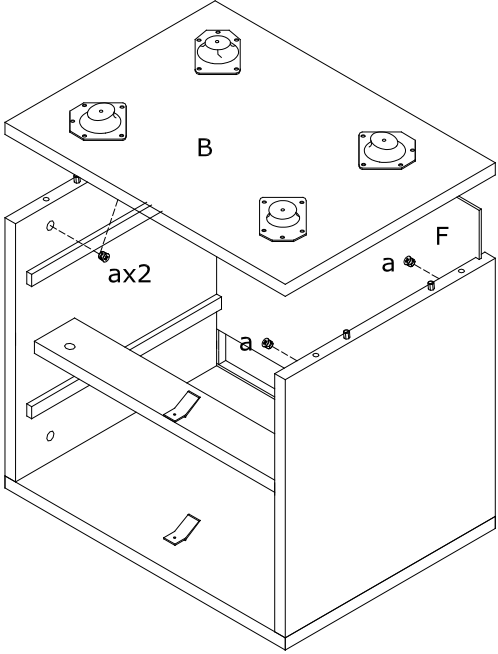
# NYBORG BEDSIDE TABLE ASSEMBLY INSTRUCTIONS

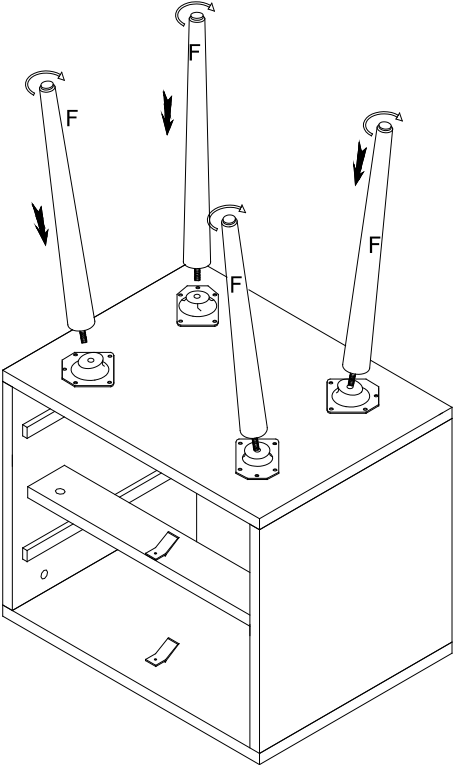
STEP 3	Parts Required
 <p>The diagram illustrates Step 3 of the assembly process. It shows two rectangular table side panels, labeled 'C', positioned vertically. A horizontal support bar, labeled 'D', is being inserted between the two panels. Two cam bolts, labeled 'a', are shown being inserted into the side panels and the support bar to secure them together. The cam bolts are shown in the process of being tightened, with arrows indicating the direction of rotation.</p>	<p>C Table side panel x2 D Support bar x1  a Cam x2</p>

STEP 4	Parts Required
 <p>The diagram illustrates Step 4 of the assembly process. It shows the two table side panels (C) and the support bar (D) from the previous step. A large rectangular table top panel, labeled 'A', is being positioned above the side panels. Four cam bolts, labeled 'a', are shown being inserted into the side panels and the table top panel to secure it. The cam bolts are shown in the process of being tightened, with arrows indicating the direction of rotation. A large black arrow points downwards from the table top panel, indicating the direction of movement.</p>	<p>A Table top panel x1  a Camx4</p>

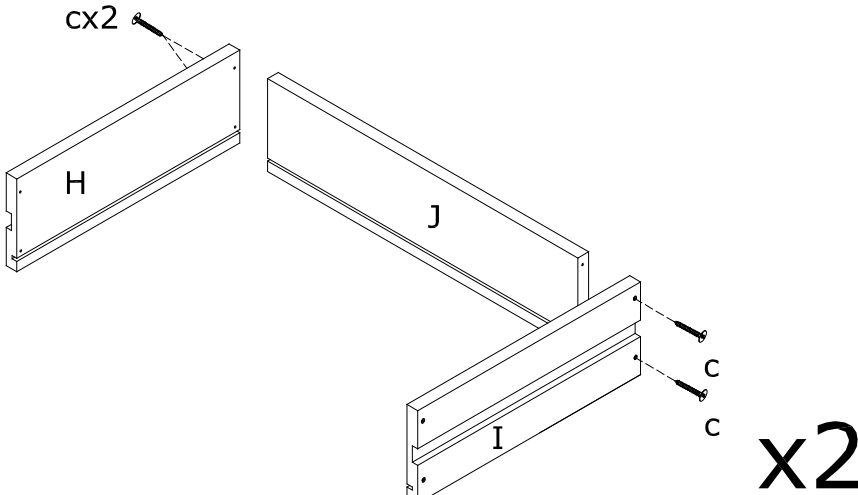


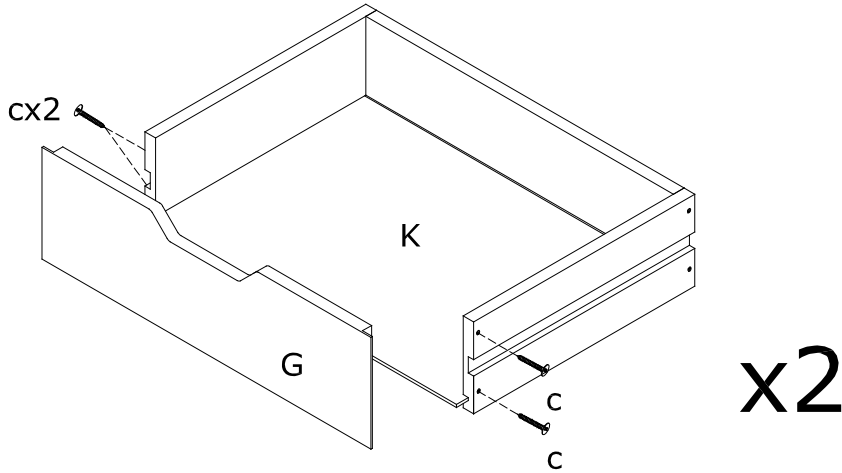
# NYBORG BEDSIDE TABLE ASSEMBLY INSTRUCTIONS

STEP 5	Parts Required
	<p>B Table bottom panel x1 F Table back panel x1 a Cam x 4</p>

STEP 6	Parts Required
	

# NYBORG BEDSIDE TABLE ASSEMBLY INSTRUCTIONS

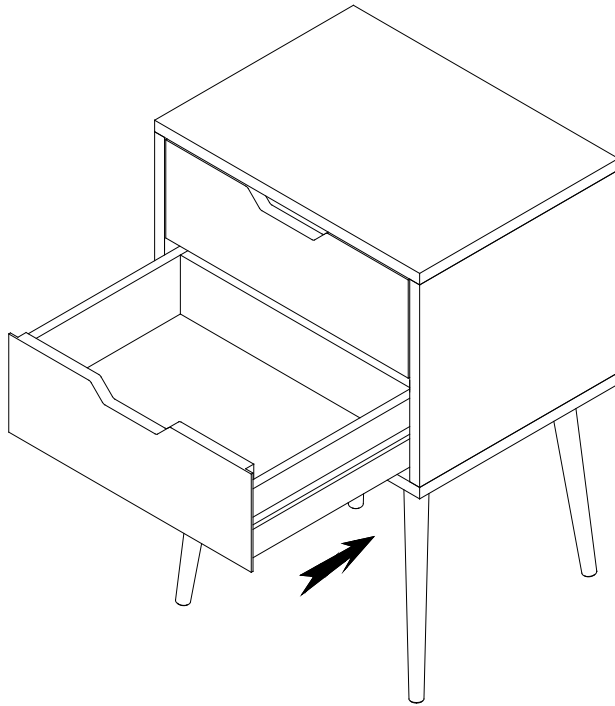
STEP 7	Parts Required
	<p>H Drawer left panel x2            I Drawer right panel x2            J Drawer back x2            c Screws x8</p>

STEP 8	Parts Required
	<p>G Drawer front x2            K Drawer bottom x2            c Screws x 8</p>

# NYBORG BEDSIDE TABLE ASSEMBLY INSTRUCTIONS

STEP 9

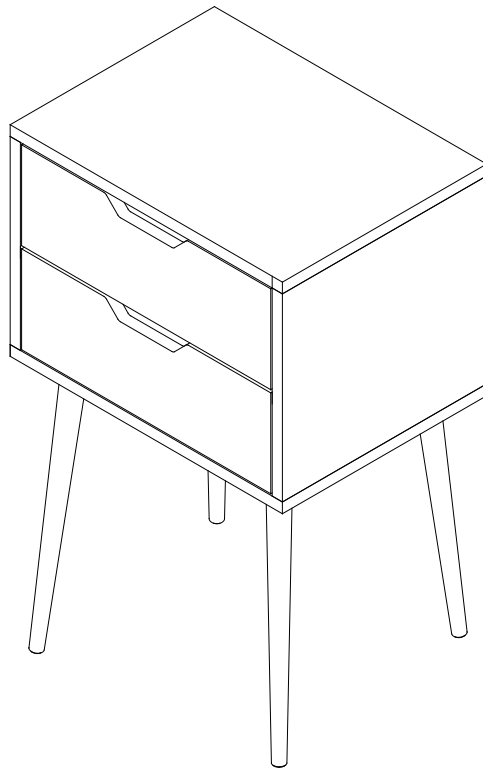
Parts Required



# NYBORG BEDSIDE TABLE ASSEMBLY INSTRUCTIONS

## Complete Assembly

Your NYBORG BEDSIDE TABLE is now completely assembled.  
Periodically check to ensure that the components are in their proper position, free from damage.  
Also, make sure the connectors are tight and secure.



Keep instructions for future reference.

