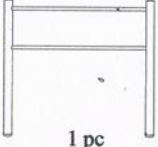
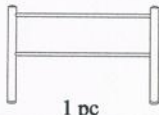





MODEL :METAL POST / SPRUNG WOOD BED BASE
 SIZE :SINGLE BED







MODENA 90cm BED

ASSEMBLY INSTRUCTIONS

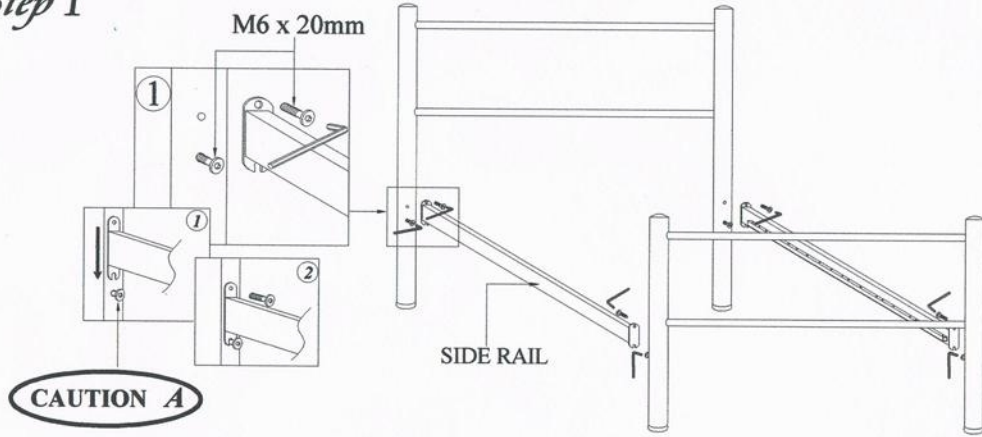
Part List

HEAD BOARD  1 pc	FOOT BOARD  1 pc	SIDE RAIL  2 pcs	CENTRE CROSS RAIL  1 pc 2 HOLE	SPRUNG WOOD  12 pcs
---	--	--	---	--

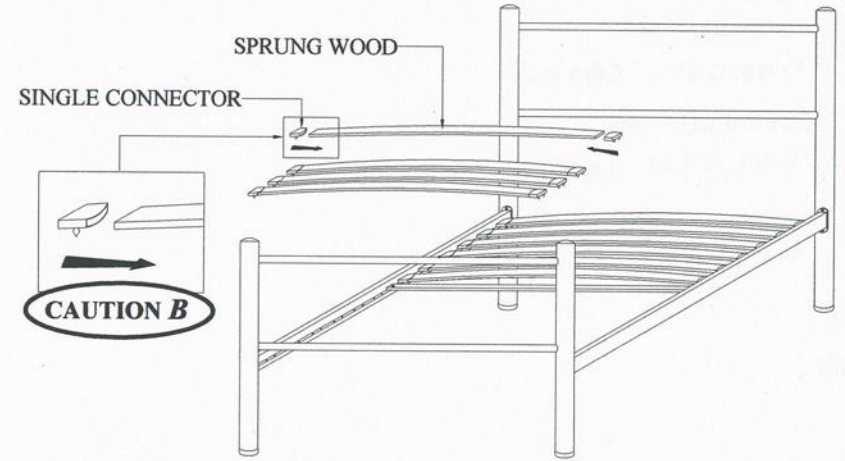
Hardware

SINGLE CONNECTOR  24 pcs	M6 X 20mm  8 pcs	M6 X 40mm  2 pcs	M6 HEX NUT  2 pcs	ALLEN KEY M4  1 pc	SPANNER  1 pc
--	--	--	---	--	---

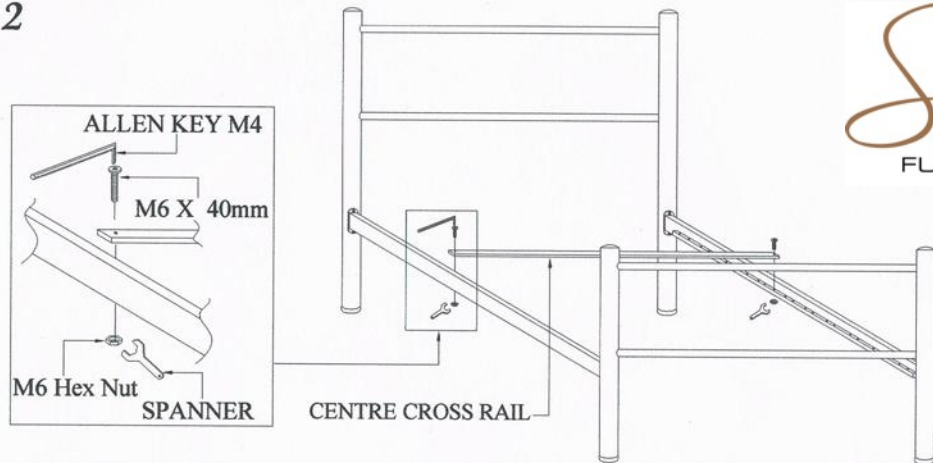
Step 1



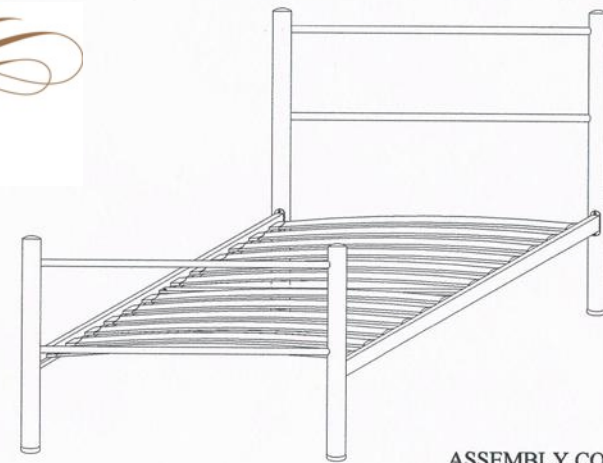
Step 3



Step 2



Sereni
FURNISHINGS



A **CAUTION!**
Do not tight screw, left around 5mm before completely assembled.

B **CAUTION!**
Make sure sprung wood is fully push tightly into single connector, if not by slowly knock single connector until tight into sprung wood.

IMPORTANT!
 *Tighten all screw and complete product as shown
 *Ensure cross rails are located in the side rails before placing the mattress on the bed frame"

ATTENTION!

- o Wipe clean using a soft damp cloth followed by a dry cloth.
- o Do not use abrasives or cleaning products which may contain ammonia or solvents.
- o Take care when handling or moving the furniture. Careless handling can damage wooden furniture, try to lift rather than drag.