



# Birlea

Suppliers of inspiration

Vendor: S000350



## **ASSEMBLY INSTRUCTIONS** **URBAN 1 DRAWER NARROW BEDSIDE RUSTIC**

**IMPORTANT : READ THESE INSTRUCTIONS CAREFULLY BEFORE ATTEMPTING TO ASSEMBLE OR USE YOUR URBAN 1 DRAWER NARROW BEDSIDE RUSTIC.**

**PLEASE KEEP THESE INSTRUCTIONS FOR FUTURE REFERENCE.**

### **ASSEMBLY:**

Assembly should be carried out with this item laying flat, not standing upright.

Assemble on a soft, clean surface to prevent damages.

To erase the numbers printed on the pieces, use the rubber inside the accessories pack.

### **HEALTH & SAFETY:**

DO NOT use this product if any parts are missing, damaged or worn.

DO NOT use this product unless all fixings are secured.

Always use on a level, even surface.

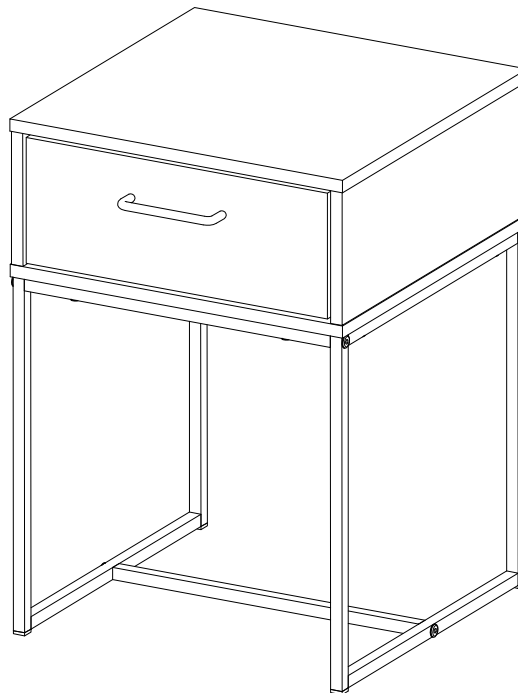
### **CARE & MAINTENANCE:**

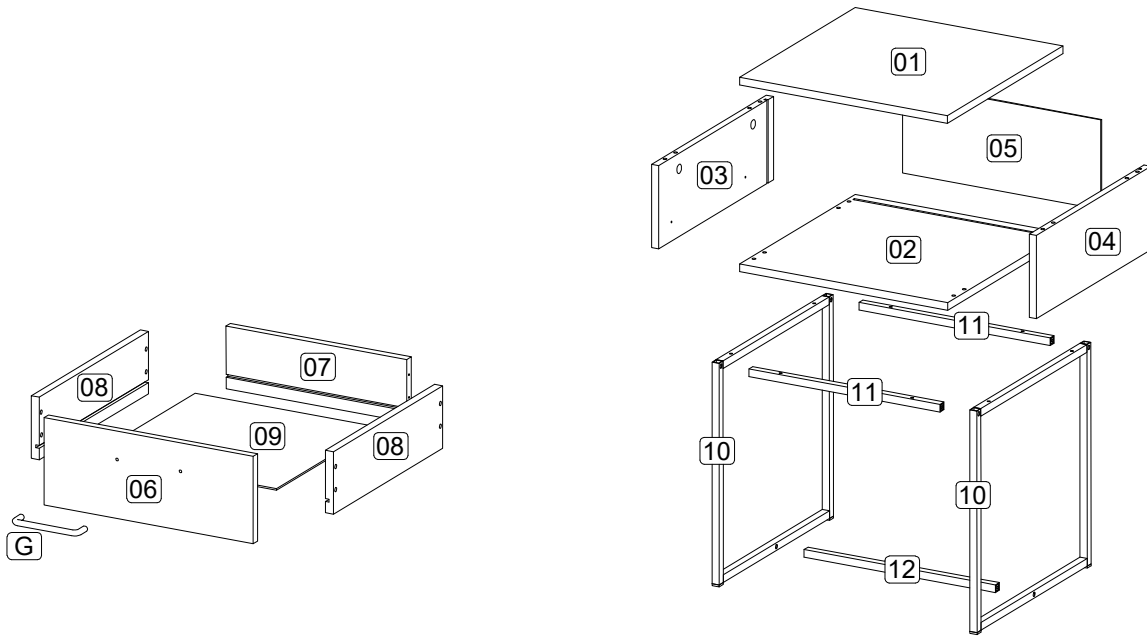
Periodically check all screws & fixings to ensure they are secure.

DO NOT push the product as this will cause damage.

Always lift the product with two people to reposition.

Keep any sharp objects away from the product.





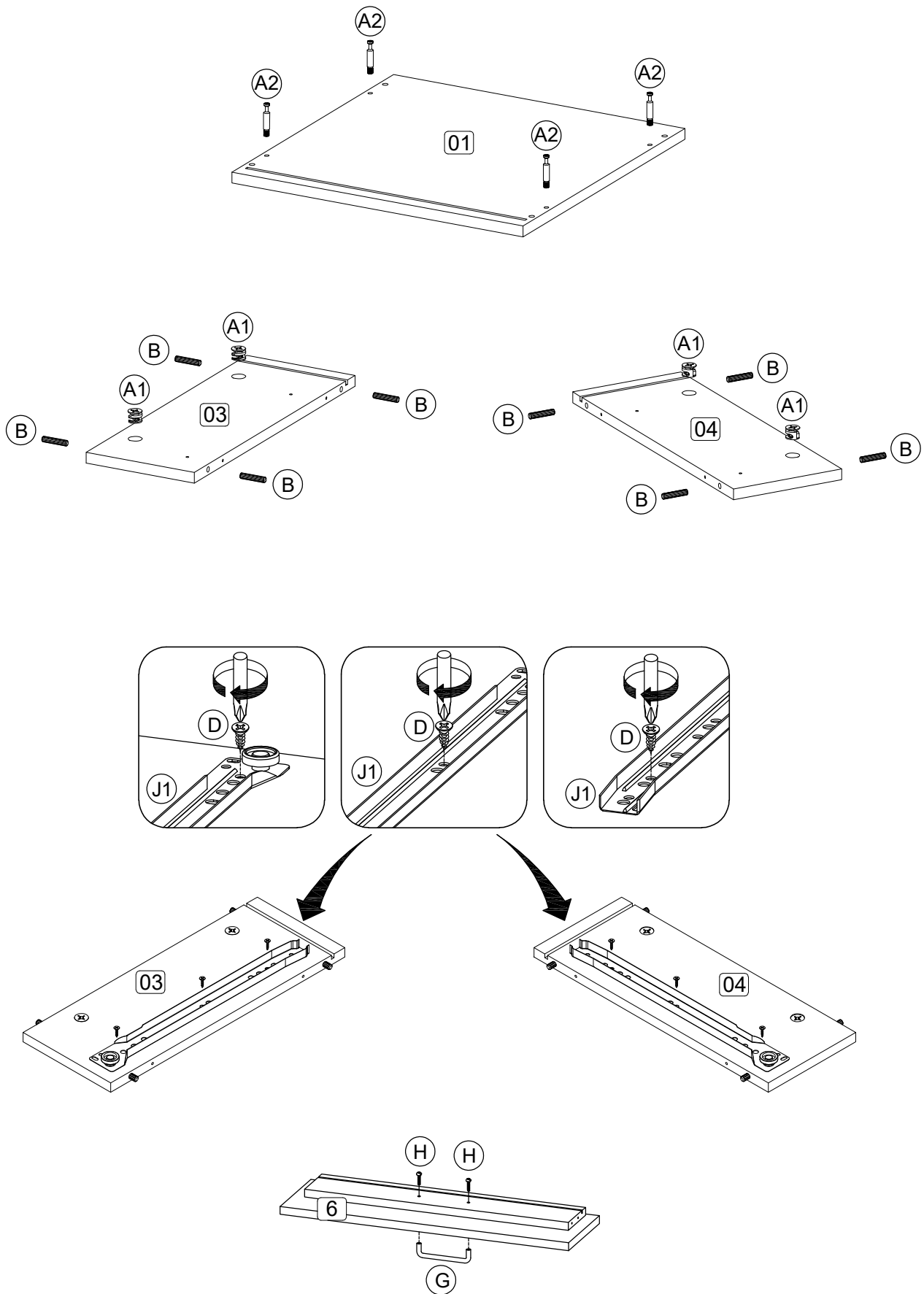
Parts List			Hardware List		
Part	Description	Qty	Part	Description	Qty
01	Top panel	1	A1	Cam lock 	4
02	Bottom panel	1	A2	Minifix screw 	4
03	Side panel ( Left )	1	A3	Plastic cap 	4
04	Side panel ( Right )	1	B	M6 x 30mm Wood Dowel 	8
05	Back Panel	1	C	Allen key M4 	1
06	Drawer Front	1	D	M3.5 x 12mm C.B Screw 	12
07	Drawer Back	1	E	M4 x 25mm C.B Screw 	8
08	Drawer Side	2	F	M4 x 38mm C.B Screw 	12
09	Drawer Bottom	1	G	Handle 100.96. BLM 	1
10	Metal Frame Side	2	H	Handle screw M4 x 30mm 	2
11	Metal Frame Front & Back	2	I	JCBC screw M6 x 30mm 	6
12	Metal Frame Middle	1	J1	12" Drawer slide (Left / Right) 	2
			J2	12" Drawer slide (Left / Right) 	2

**\*\* You will need a small mallet and a screwdriver for assembly.**

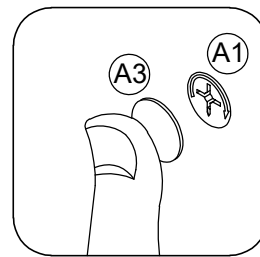
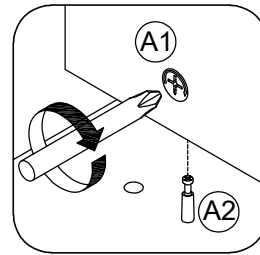
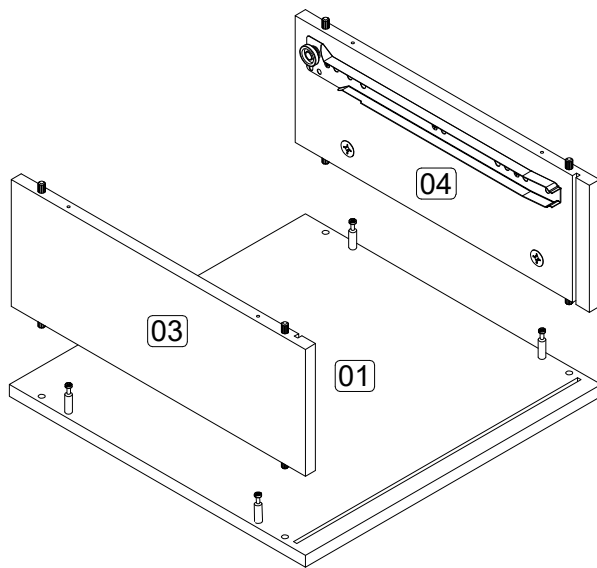
**\*\* Some screws and wooden dowel may remain.**

**Step 1:** Prepare these parts for assembly using hardware parts A1, A2, B, D, G, H and J1.

**DO NOT use any power tools as this may damage the frame and will invalidate any claim.**



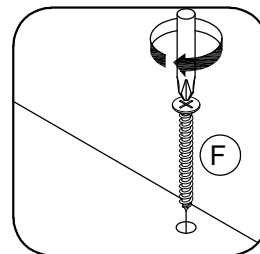
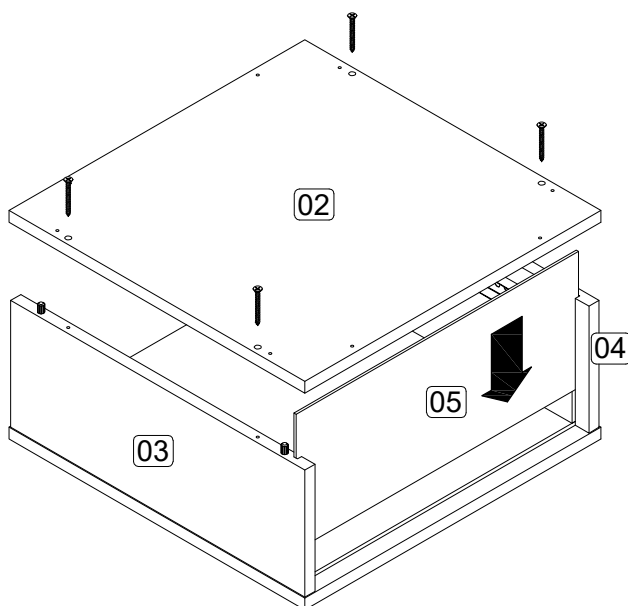
**Step 2:** Attach panel (3) and (4) to panel (1) using hardware A1, A2 and A3 with a screwdriver (not provided).  
**DO NOT use any power tools as this may damage the frame and will invalidate any claim.**



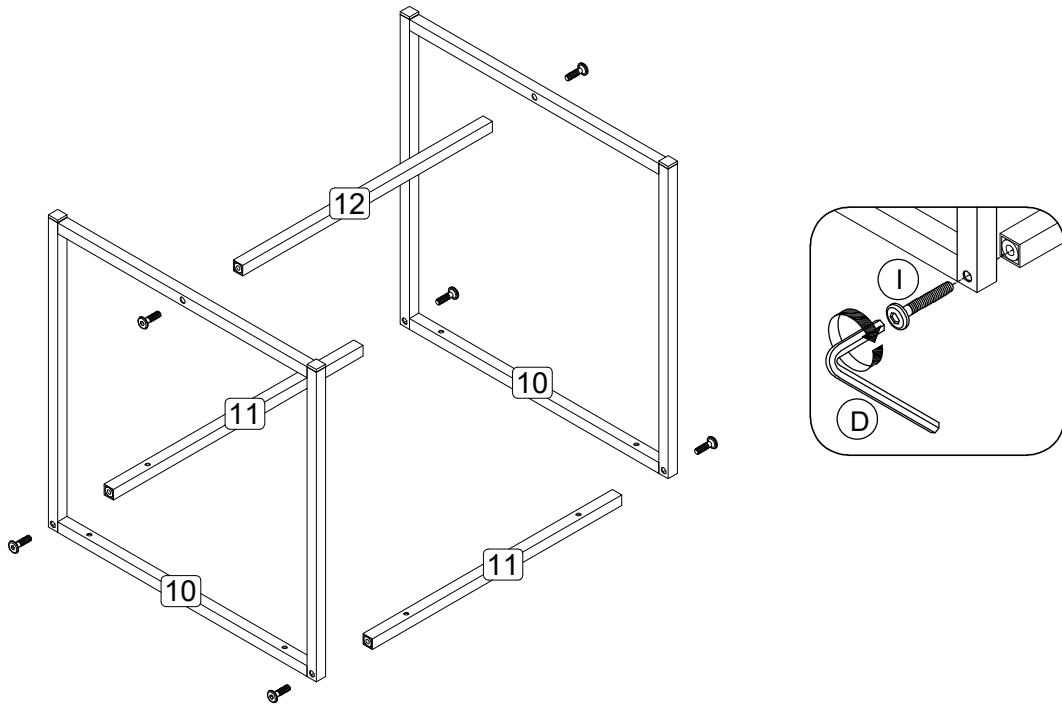
**Step 3:** Insert panel (5) along the slot.

Attach panel (2) to panel (3) and (4) using hardware F.

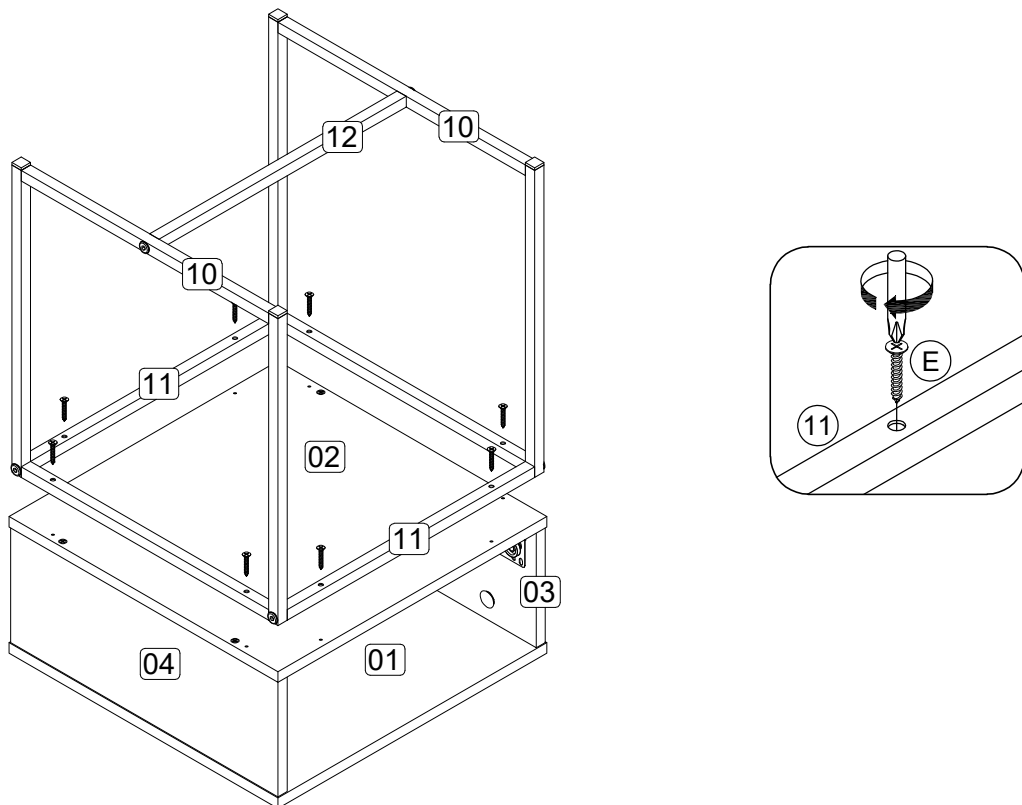
**DO NOT use any power tools as this may damage the frame and will invalidate any claim.**



**Step 4:** Attach Metal Frame Side (10) to Metal Front & Back (11) and Metal Middle (12) using hardware D and I.  
**DO NOT use any power tools as this may damage the frame and will invalidate any claim.**

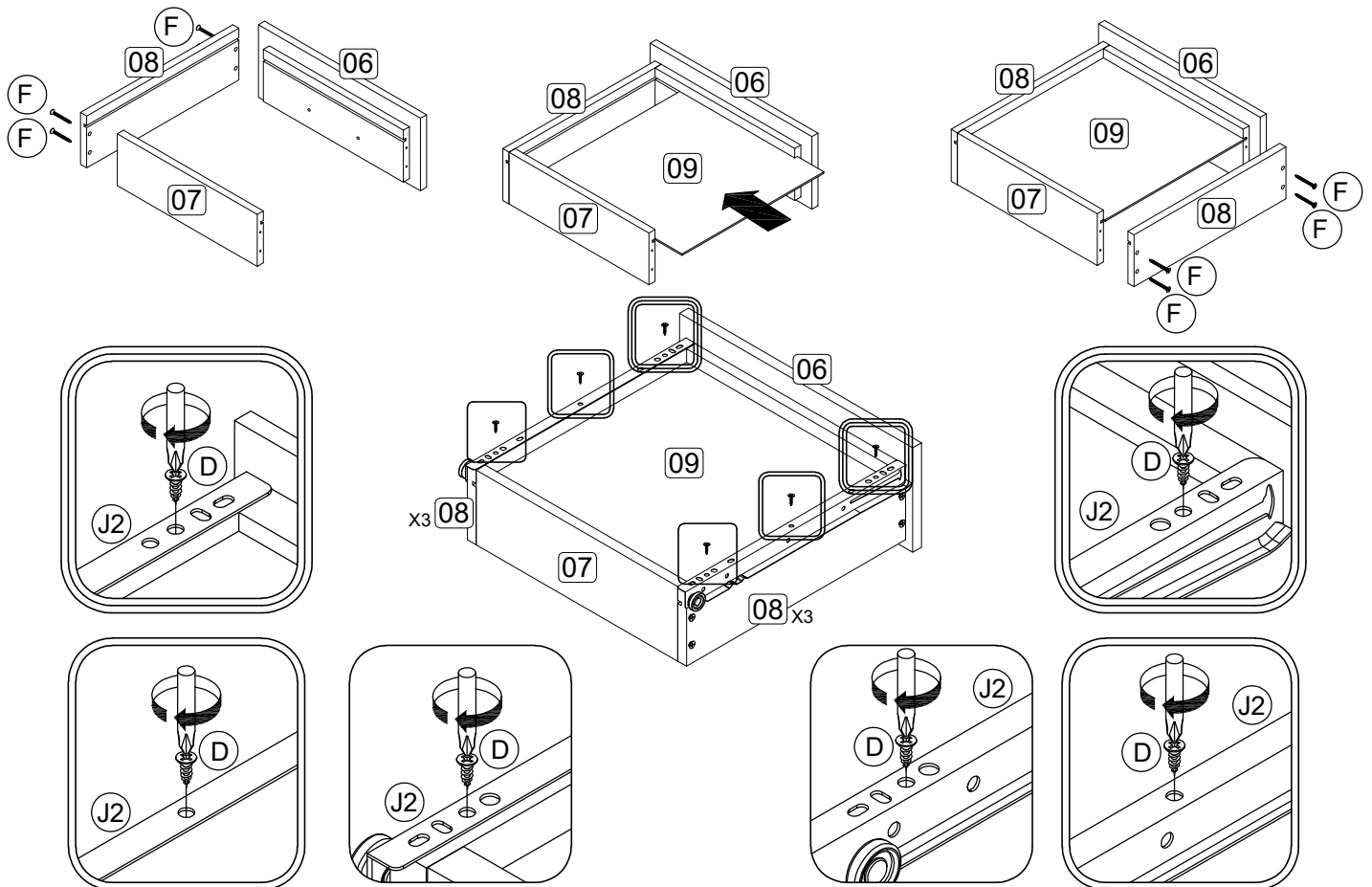


**Step 5:** Attach Metal Frame Front & Back (11) and Metal Side (10) to panel (2) using hardware E.  
**DO NOT use any power tools as this may damage the frame and will invalidate any claim.**



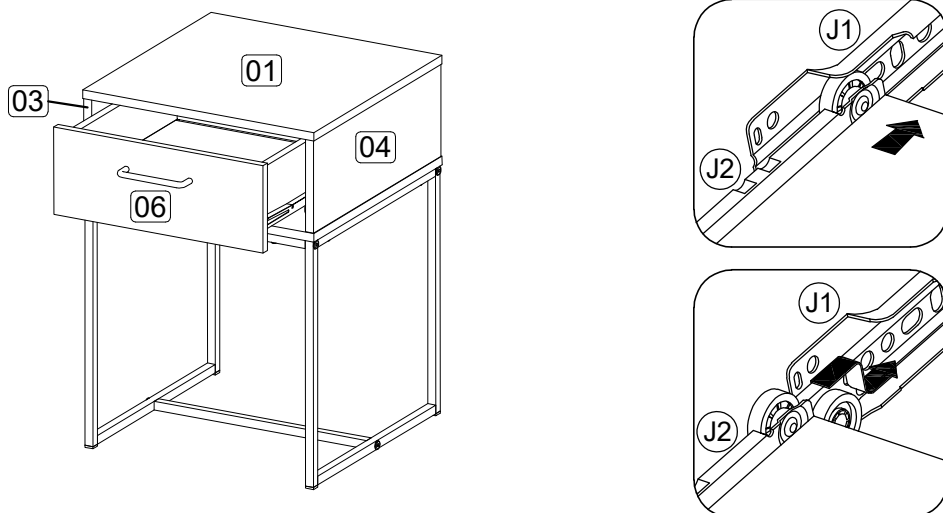
**Step 6:** Assemble the drawer components using hardware D, F and J2.

**DO NOT use any power tools as this may damage the frame and will invalidate any claim.**



**Step 7:** Assemble the drawer in place along the drawer slides.

**DO NOT use any power tools as this may damage the frame and will invalidate any claim.**



### Additional Information:

- For complete product information, images and dimension diagrams please visit the website [www.birlea.com](http://www.birlea.com)
- If you have any issues with your item please contact the retailer directly you purchased it from who will be able to resolve any issues with Birlea.
- Why don't you send us photos of your assembled furniture to [info@birlea.com](mailto:info@birlea.com) to be shared in our #birleahome feature on instagram.



**Birlea**

Suppliers of inspiration