

ASSEMBLY INSTRUCTIONS **HANNOVER FABRIC 5' BED**

IMPORTANT: READ THESE INSTRUCTIONS CAREFULLY BEFORE ATTEMPTING TO ASSEMBLE OR USE YOUR HANNOVER FABRIC 5' BED.

PLEASE KEEP THESE INSTRUCTIONS FOR FUTURE REFERENCE

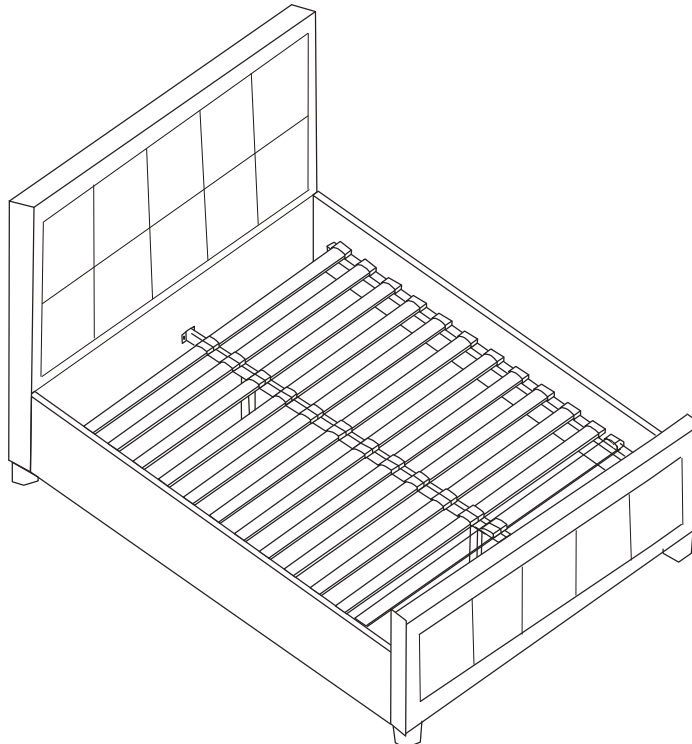
HEALTH & SAFETY:

DO NOT jump on this bed frame
DO NOT use this bed frame if any parts are missing, damaged or worn
DO NOT use this bed frame unless all fixings are tightly secured
Always use on a level, even surface

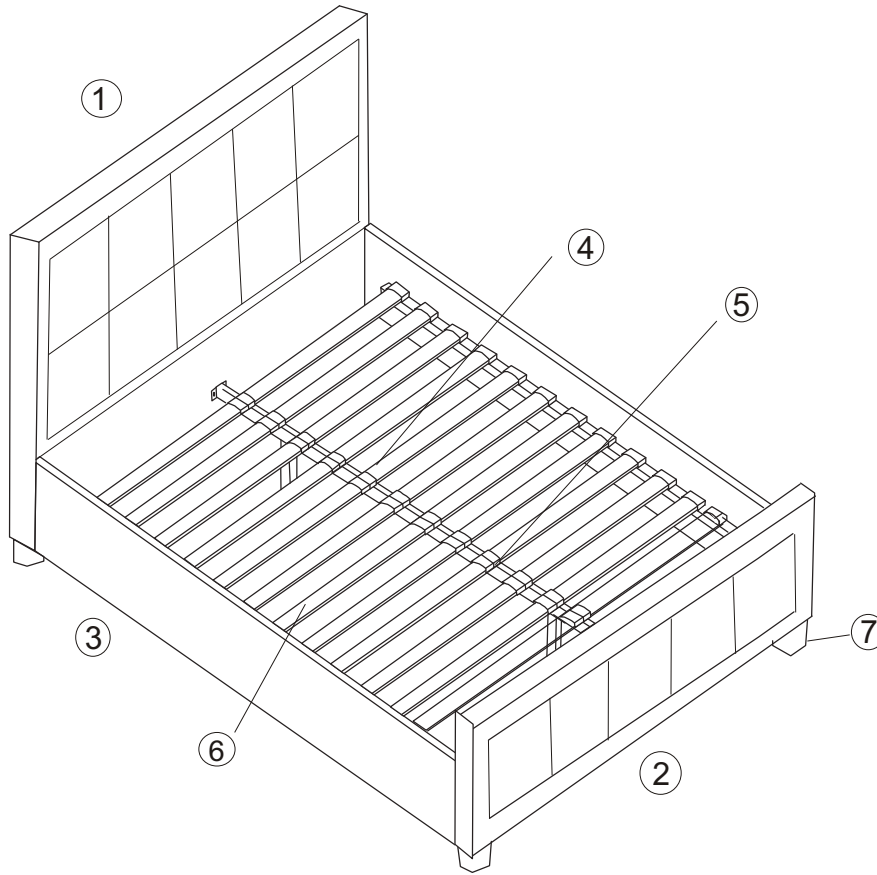
WARNING: IF THIS BED FRAME IS ON A LAMINATED FLOOR YOU MUST PLACE SOME PROTECTION UNDER ALL LEGS TO STOP THE BED FRAME FROM MOVING. IF THIS IS NOT ADHERED TO THERE IS NO GUARANTEE IF THE BED FRAME COLLAPSES











CARE & MAINTENANCE:

Periodically check all screws & fixings to ensure they are tightly secured
DO NOT push the bed frame as this will damage the legs.
Always lift the bed with 2 people whenever you need to change the bed frames position
Keep any sharp objects away from the bed frame



WWW. BIRLEA. COM



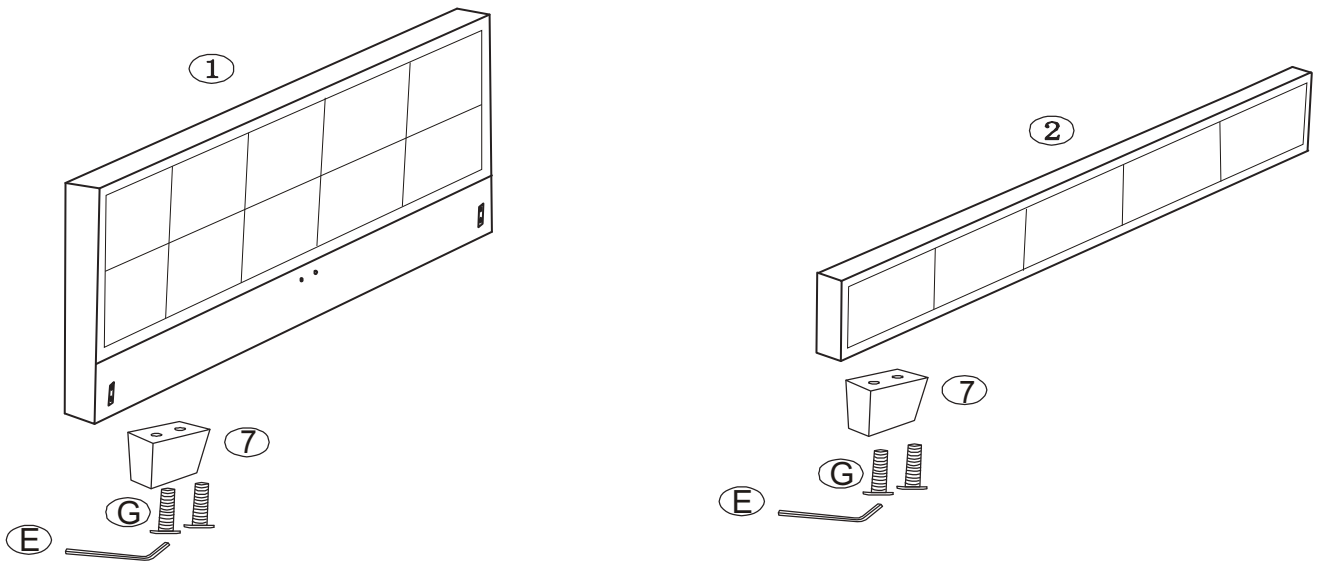
PARTS LIST				HARDWARE LIST (Found in box 2)			
No	Item	Box	Qty	No	Item		Qty
1	Headboard	1	1	A	Bolts (M8 x 30mm)		12
2	Footboard	3	1	B	Nuts (M8 x 13mm)		4
3	Side Rails	2	2	C	Spring Washer		8
4	Centre rail	2	1	D	Flat Washer		8
5	Support Legs	3	2	E	M5 Allen Key		1
6	Slats	3	26	F	Spanner		1
7	Legs	3	4	G	Bolts (M8 x 45 mm)		8
				H	Single Plastic Cap		28
				I	Double Plastic Cap		14
				J	Bolts (M8 x 40 mm)		4

There are two slat caps (one double and one single) as spare.

Step 1:

To fix the legs (7) to the headboard (1) and footboard (2) you will need to use hardware parts E and G.

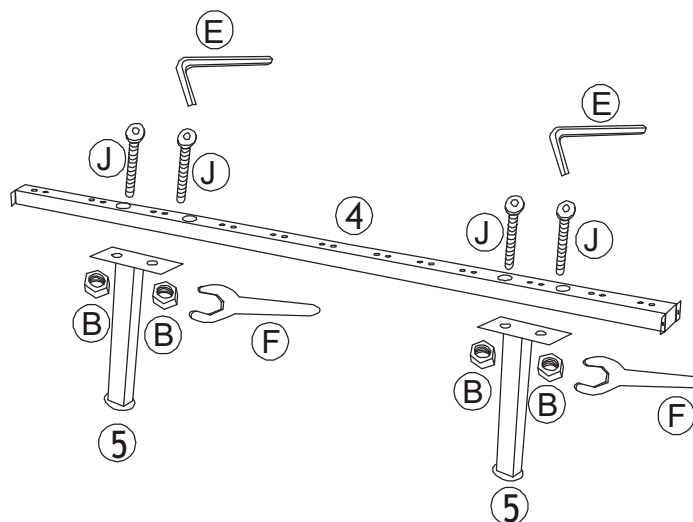
DO NOT use any power tools, this may damage the bed frame and will invalidate any claims

**Step 2:**

To fix the support legs (5) to the centre rail (4) you will need to use hardware parts B and J

You will need to use the M5 allen Key (E) and the spanner (F) as provided for this step of the assembly

DO NOT use any power tools as this may damage the frame and will invalidate any claims

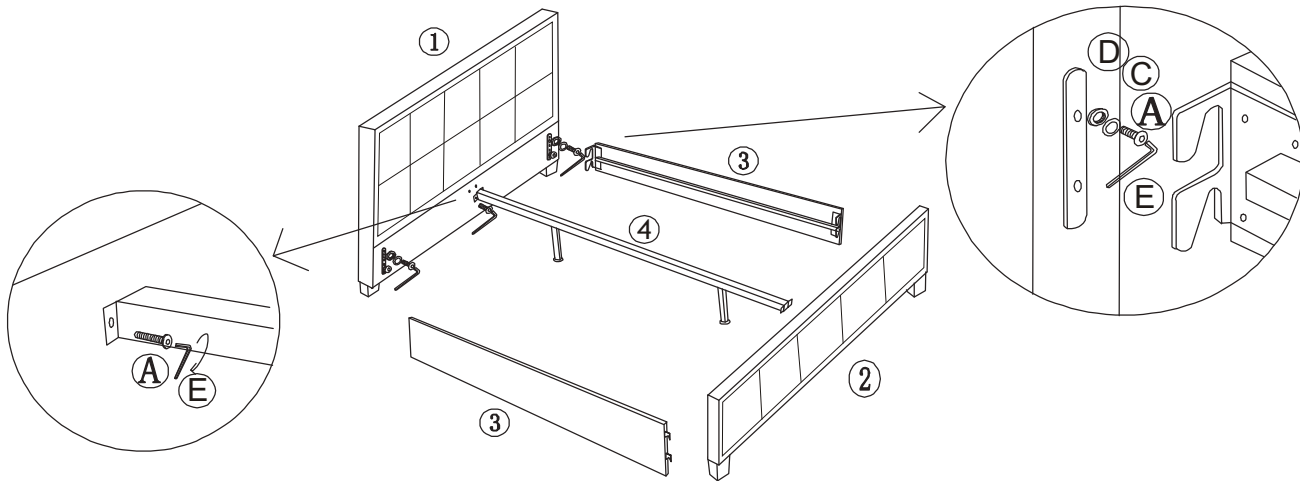


Step 3: To attach the side rails (3) to the headboard (1) and the footboard (2) you will need to use hardware parts A, D and C with the M5 allen key (E)

To attach the centre rail (4) to the headboard (1) and the footboard (2) you will need to use hardware parts A and the M5 allen key (E)

You will need to use the M5 allen Key (E) as provided for this step of the assembly

DO NOT use any power tools as this may damage the frame and will invalidate any claims



Step 4: Assemble the slats (6) as shown in the diagrams below then push all of the plastic cap's firmly into the side rails (3) and centre rail (4)

DO NOT use any power tools as this may damage the frame and will invalidate any claims

