



Birlea

Suppliers of inspiration

Vendor: S000242



ASSEMBLY INSTRUCTIONS **CORONA 4 DRAWER DRESSING TABLE**

IMPORTANT: READ THESE INSTRUCTIONS CAREFULLY BEFORE ATTEMPTING TO ASSEMBLE OR USE YOUR CORONA 4 DRAWER DRESSING TABLE

PLEASE KEEP THESE INSTRUCTIONS FOR FUTURE REFERENCE

ASSEMBLY INSTRUCTIONS:

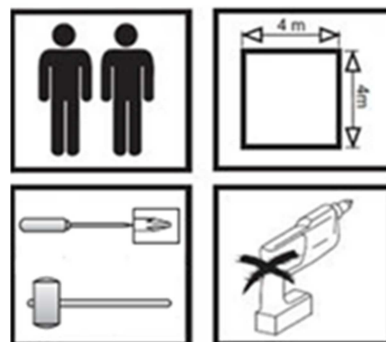
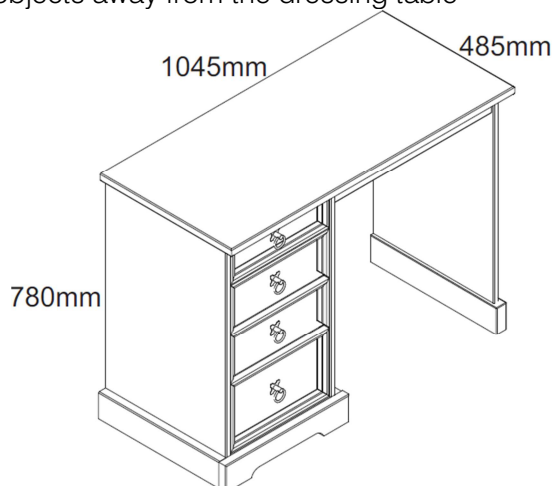
Please check contents and read instructions carefully before commencing assembly
To avoid damages assemble the item on a soft, clean surface

HEALTH & SAFETY:

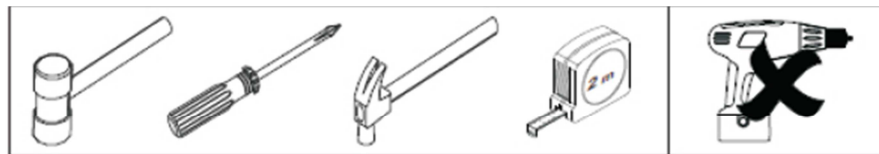
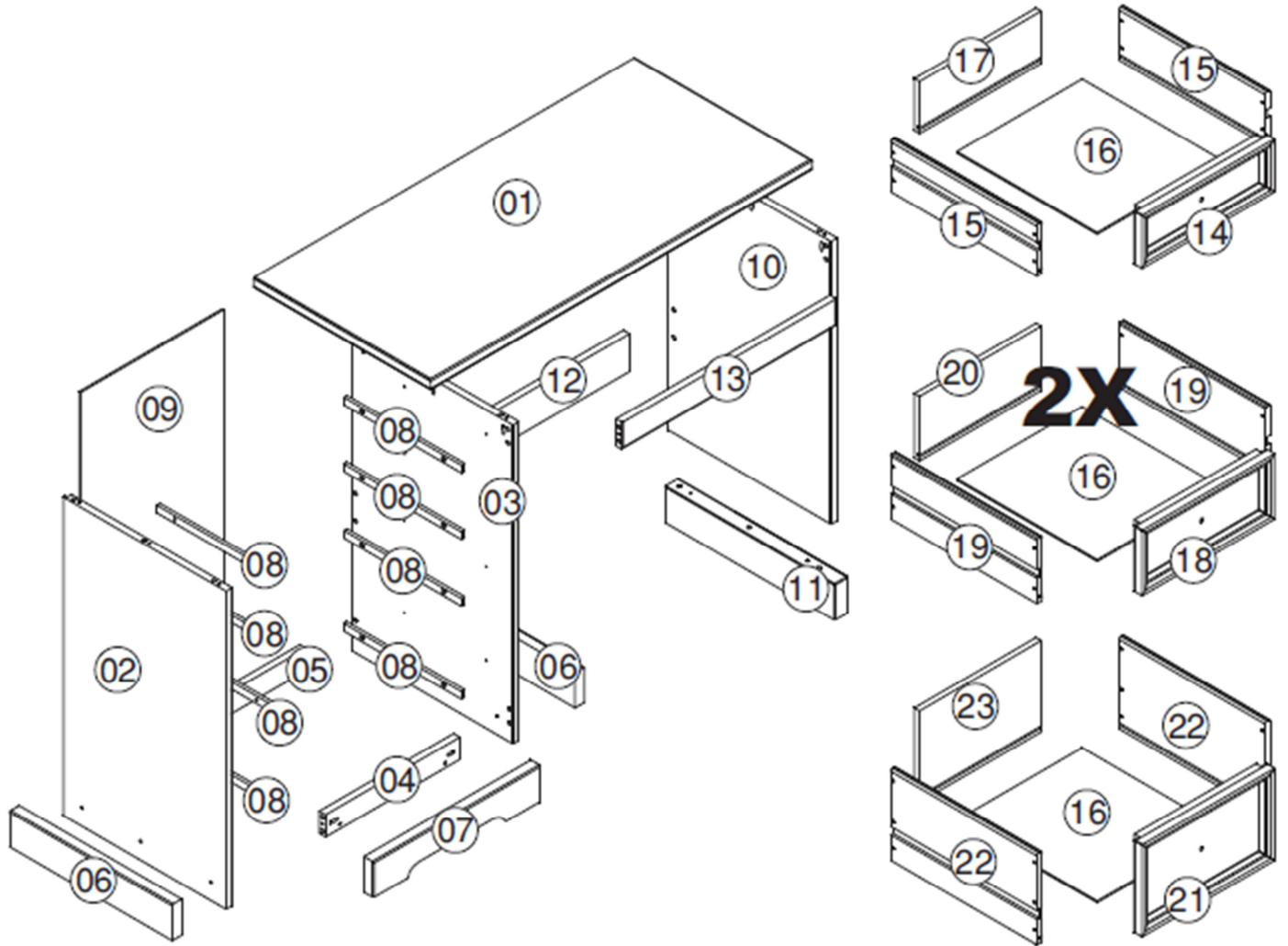
DO NOT use this dressing table if any parts are missing, damaged or worn
DO NOT use this dressing table unless all fixings are secured
Always use on a level, even surface
It is recommended that two people handle and assemble the item







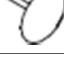

CARE & MAINTENANCE: To enjoy your furniture for many years please follow our recommendations below:

This product is manufactured in pine which is a wood with natural characteristics including knots, grains, clusters or indentations
On unpacking the item you may notice an odour due to the production process. However, this will disappear after a period of time.
Do not place the item next to a radiator or direct sunlight – this item is manufactured in pine but is susceptible to temperature change. It is recommended an even room temperature be maintained with no sudden fluctuations.
Do not place hot or cold items directly onto the surface of the item – always use a placemat or marking will occur
For general cleaning use a duster or damp cloth (almost dry) not wet – do not use soap and water, detergents, aerosol sprays or any polish. The use of these materials would invalidate any claims.
You may wish to retreat the surface to maintain the original finish – this can be done using block wax (unperfumed). Please follow the manufacturer's instructions carefully
Do not place the item onto wet or damp flooring as staining may occur to the floor
Periodically check all screws & fixings to ensure they are secure
DO NOT push the dressing table as this will damage the base
Keep any sharp objects away from the dressing table



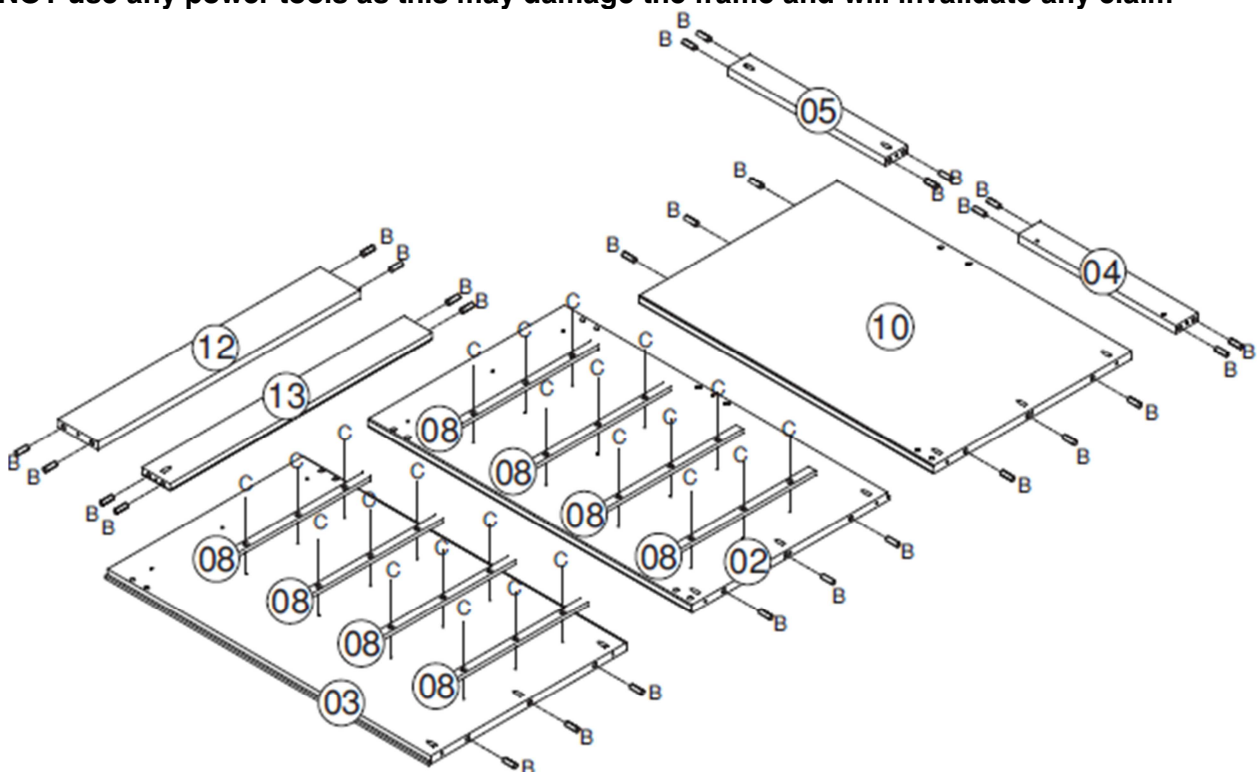
www.birlea.com



Parts List			Hardware List		
Part	Description	Qty	Part	Description	Qty
1	Top Panel	1	A	3.5 x 35 mm Screw 	29
2	Left Panel	1	B	8 x 25 mm Wooden Dowel 	28
3	Centre Panel	1	C	4.5 x 16 mm Screw 	24
4	Front Crossbeam	1	D	3/16 x 5/8 Screw 	4
5	Back Crossbeam	1	E	10 x 10 mm Tack 	14
6	Side Plinth	2	F	Handle 	4
7	Front Plinth	1	G	Stud 	2
8	Drawer Runner	8	H	3.5 x 35 mm Screw 	36
9	Back Panel	1	** You will need a small mallet and a screwdriver		
10	Right Panel	1			
11	Plinth	1			
12	Long Back Crossbeam	1			
13	Long Front Crossbeam	1			
14	Small Drawer Front	1			
15	Small Drawer Side	2			
16	Drawer Base	4			
17	Small Drawer Back	1			
18	Drawer Front	2			
19	Drawer Side	4			
20	Drawer Back	2			
21	Large Drawer Front	1			
22	Large Drawer Side	2			
23	Large Drawer Back	1			

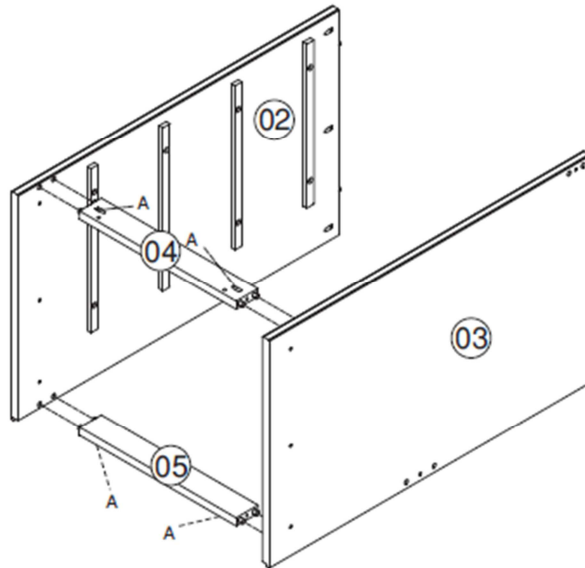
Step 1: Prepare the parts for assembly using hardware parts B and C with a small mallet and screwdriver (not provided)

DO NOT use any power tools as this may damage the frame and will invalidate any claim



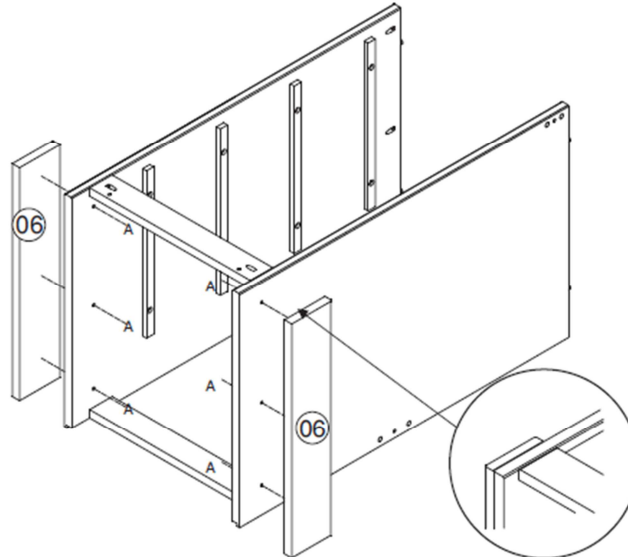
Step 2: Attach the left panel (2) and centre panel (3) to the front crossbeam (4) and back crossbeam (5) using hardware part A and a screwdriver (not provided)

DO NOT use any power tools as this may damage the frame and will invalidate any claim



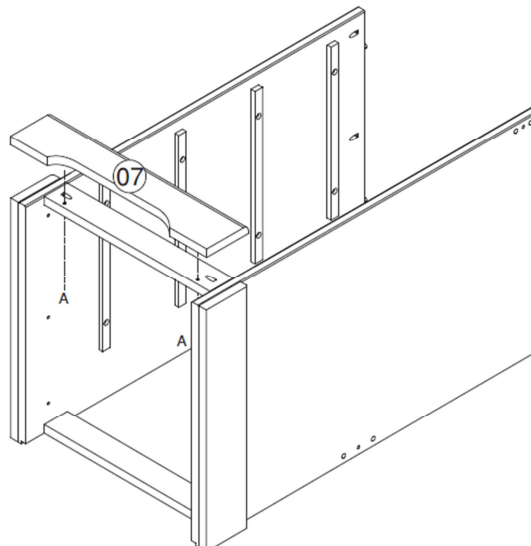
Step 3: Attach the side plinths (6) using hardware part A and a screwdriver (not provided)

DO NOT use any power tools as this may damage the frame and will invalidate any claim



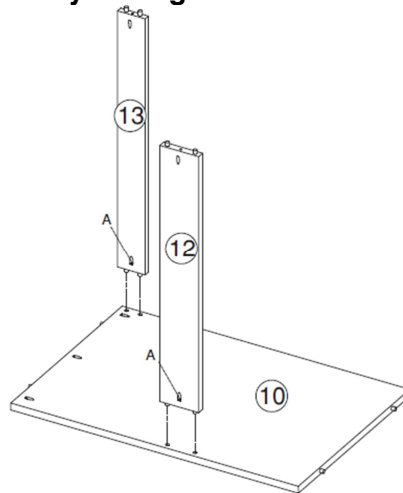
Step 4: Attach the front plinth (7) using hardware part A and a screwdriver (not provided)

DO NOT use any power tools as this may damage the frame and will invalidate any claim



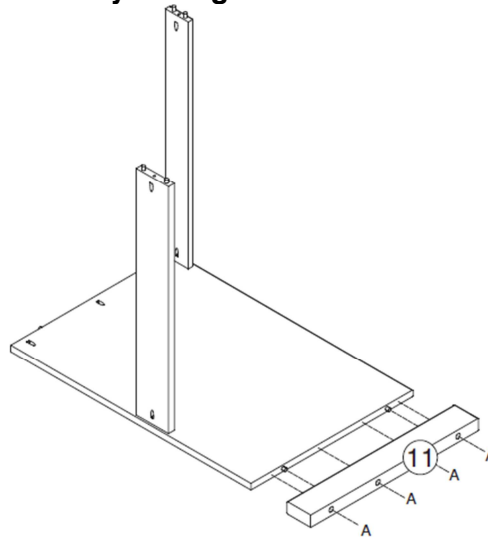
Step 5: Attach the long back crossbeam (12) and long front crossbeam (13) to the right panel (10) using hardware part A and a screwdriver (not provided)

DO NOT use any power tools as this may damage the frame and will invalidate any claim



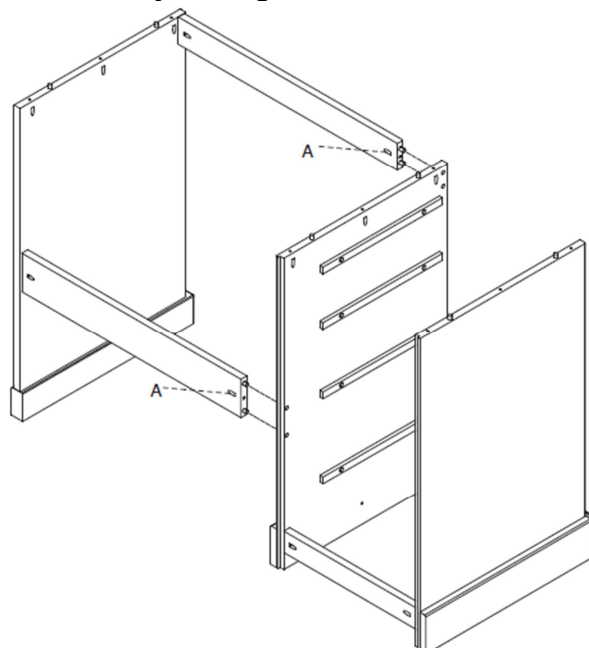
Step 6: Attach the plinth (11) using hardware part A and a screwdriver (not provided)

DO NOT use any power tools as this may damage the frame and will invalidate any claim

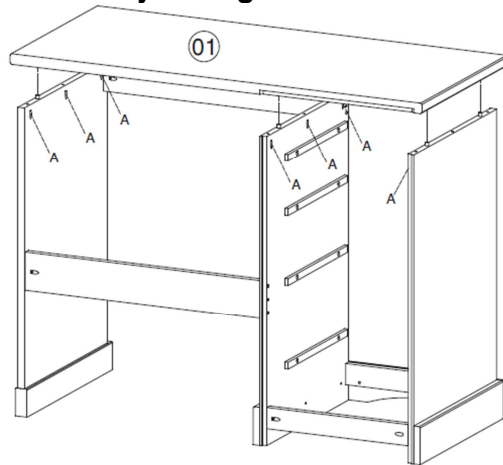


Step 7: Join together the two sections using hardware part A and a screwdriver (not provided)

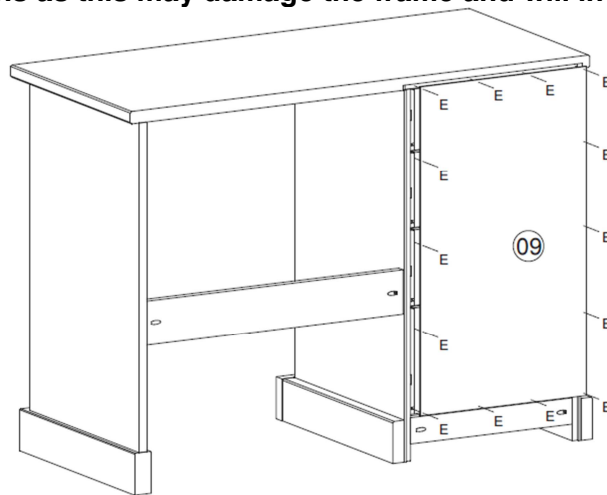
DO NOT use any power tools as this may damage the frame and will invalidate any claim



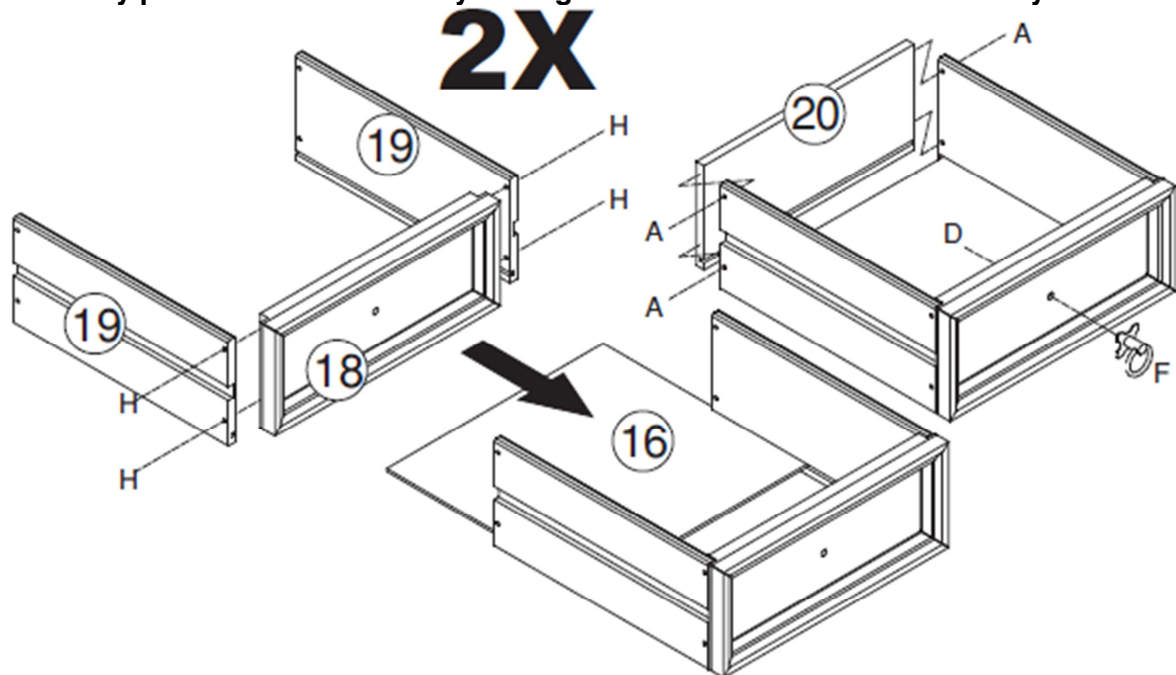
Step 8: Attach the top panel (1) using hardware part A and a screwdriver (not provided)
DO NOT use any power tools as this may damage the frame and will invalidate any claim



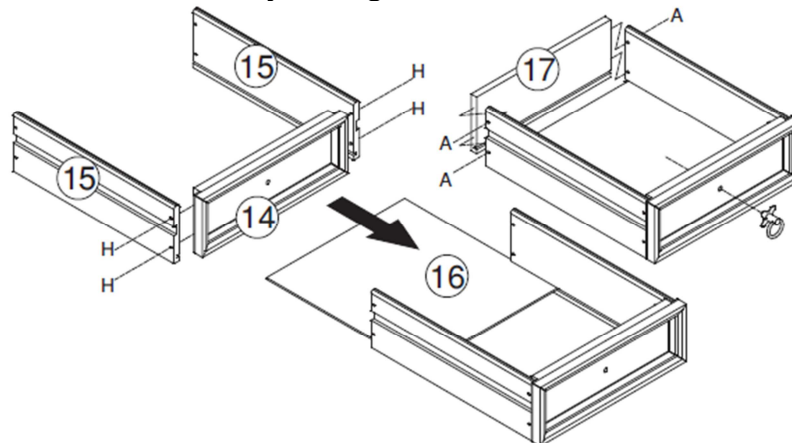
Step 9: Secure the back panel (9) using hardware part E and a small mallet (not provided)
DO NOT use any power tools as this may damage the frame and will invalidate any claim



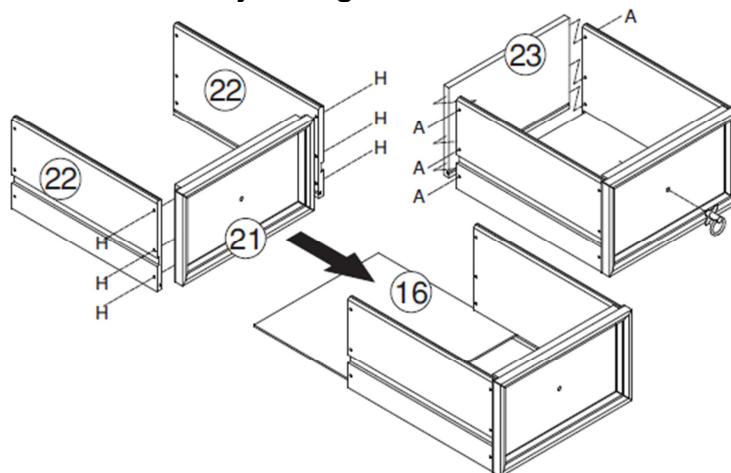
Step 10: Assemble the drawer components using hardware parts A, F and H with a screwdriver (not provided)
DO NOT use any power tools as this may damage the frame and will invalidate any claim



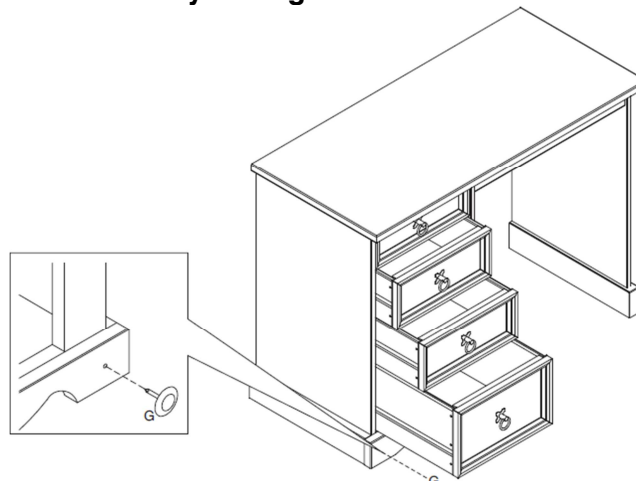
Step 11: Assemble the drawer components using hardware parts A, F and H with a screwdriver (not provided)
DO NOT use any power tools as this may damage the frame and will invalidate any claim



Step 12: Assemble the drawer components using hardware parts A, F and H with a screwdriver (not provided)
DO NOT use any power tools as this may damage the frame and will invalidate any claim



Step 13: Insert the drawers to the frame, then insert hardware part G using a small mallet (not provided)
DO NOT use any power tools as this may damage the frame and will invalidate any claim



For complete product information, images and dimension diagrams please visit www.birlea.com