

ASSEMBLY INSTRUCTIONS
DAKOTA BUNK BED

IMPORTANT: READ THESE INSTRUCTIONS CAREFULLY BEFORE ASSEMBLING OR USING YOUR DAKOTA BUNK BED FRAME.

PLEASE KEEP THESE INSTRUCTIONS FOR FUTURE REFERENCE.

HEALTH & SAFETY:

DO NOT jump on this bed frame

This bed has not been designed or constructed as play equipment

DO NOT use this bed frame if any parts are missing, damaged or worn

DO NOT use this bed frame unless all fixings are secured

Always use on a level, even surface

Be aware of the danger of young children (under 6) falling from the upper bunk. It is not advisable for children under the age of 6 to sleep on the top bunk

Always use the guard rails on both long sides of the upper bunk

This frame complies with European Standard BS EN747-1:2012+AI:2015

CAUTION: There is the risk of strangulation to children from items such as string, ropes, cords, harnesses and belts hanging from the bed frame.

WARNING: Children can become trapped between the bed and the wall, roof pitch, ceiling or adjoining pieces of furniture. To avoid risk of serious injuries the gap between the top rail and the wall should not exceed 75 mm, or it should be more than 230 mm.

WARNING: If this bed is placed on a non-carpeted floor you must place some protection under all legs to stop the bed frame from moving. If this is not adhered to there is no guarantee if the bed frame collapses.

CARE & MAINTENANCE:

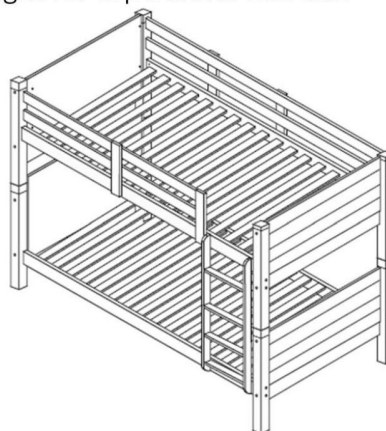
Periodically check all screws & fixings to ensure they are secure

DO NOT push the bed frame as this will damage the legs

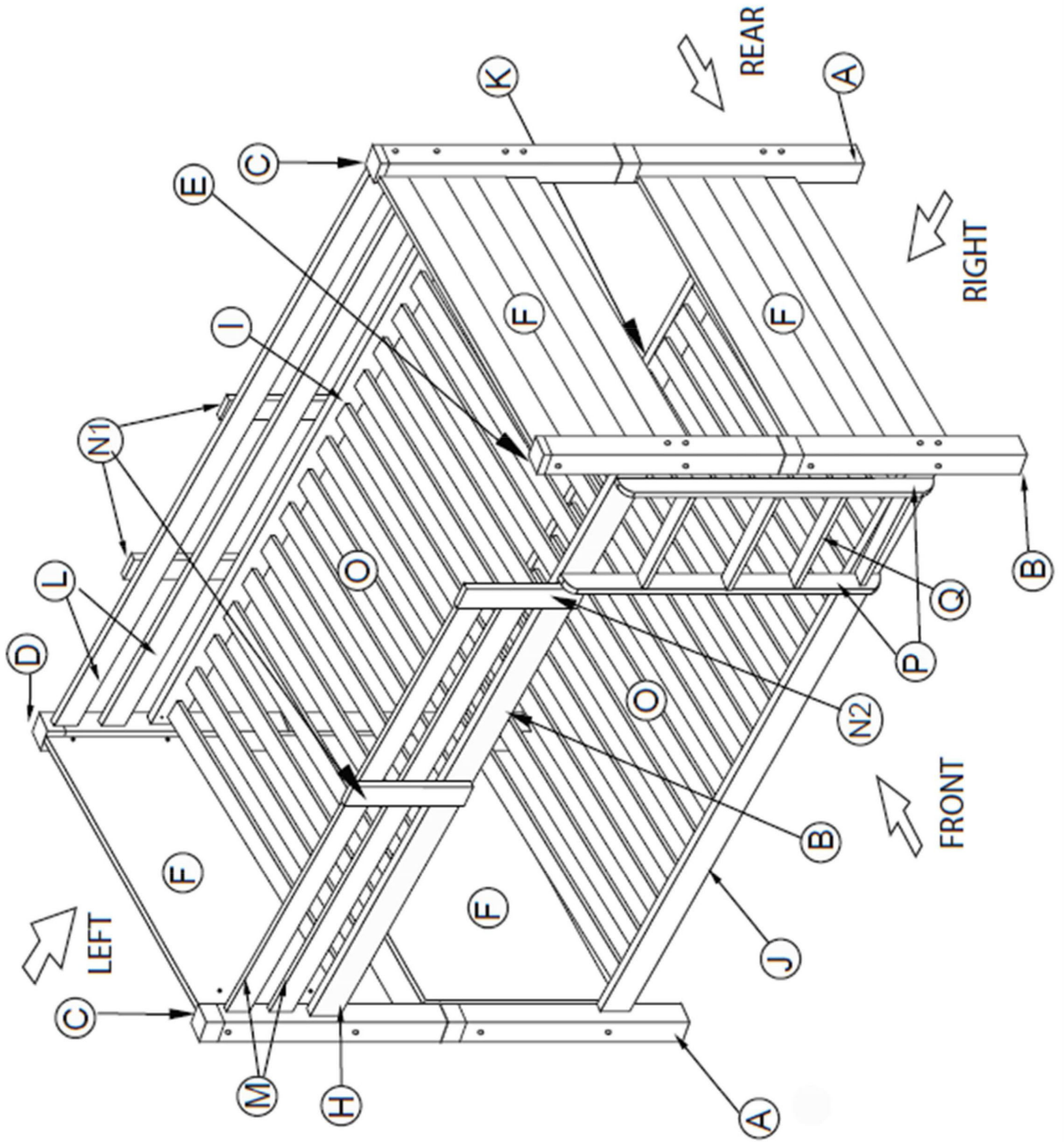
Always lift the bed with two people to reposition

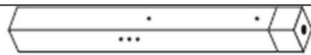
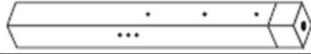
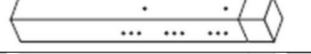
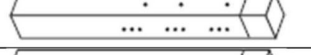

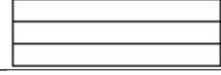




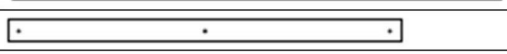
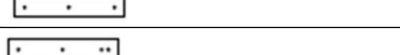


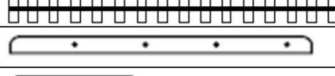
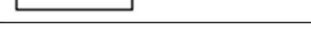

Keep any sharp objects away from the frame

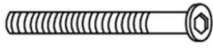
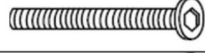
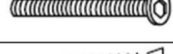
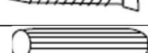
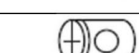
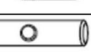
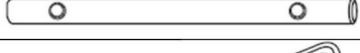



Recommended maximum mattress height for top bunk is 160 mm



www.birlea.com

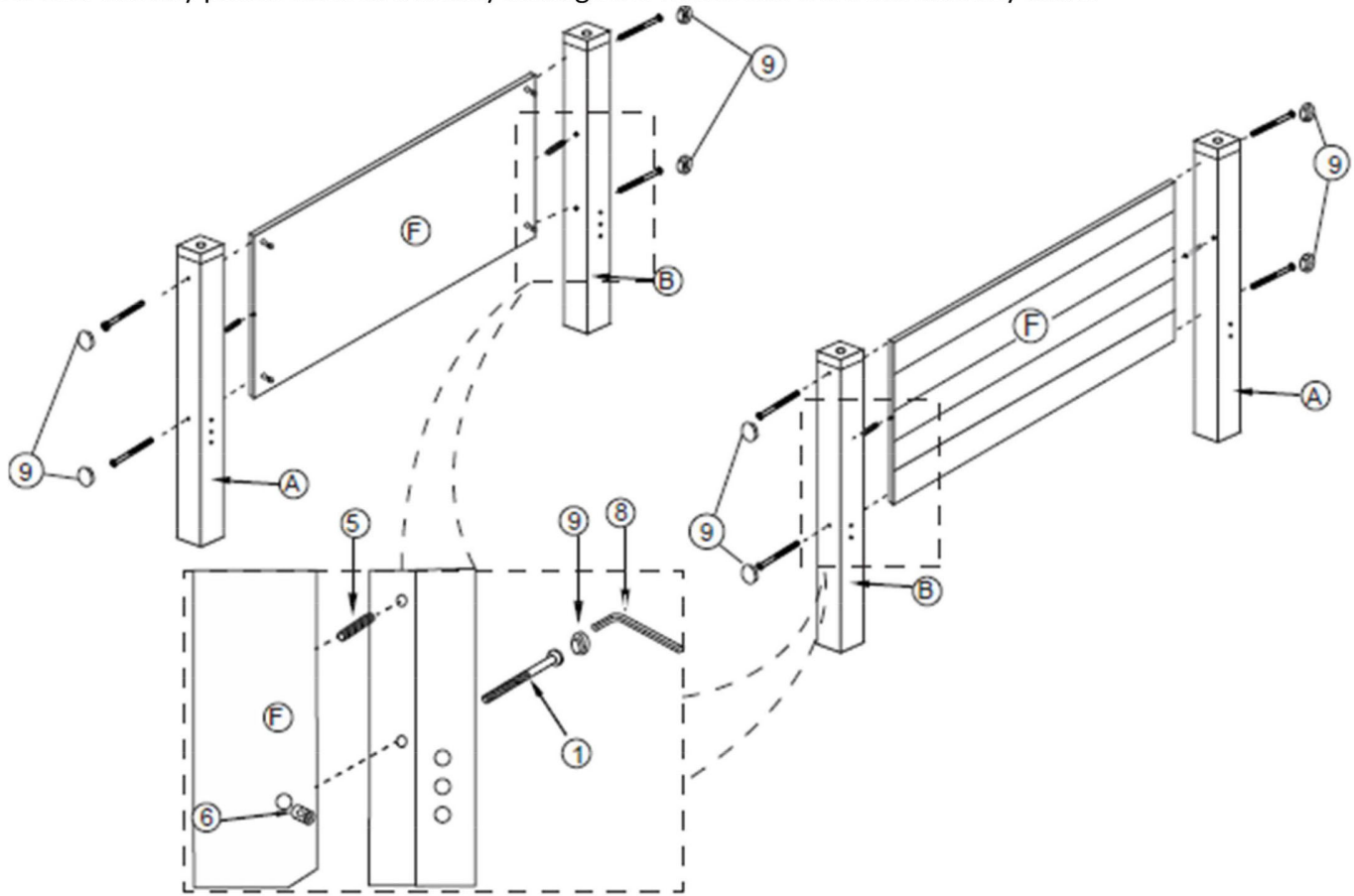


Parts List				
Part	Description		Box	Qty
A	Lower Leg – Left Front & Right Rear		2	2
B	Lower Leg – Left Rear & Right Front		2	2
C	Upper Leg – Left Front & Right Rear		2	2
D	Upper Leg – Left Rear		2	1
E	Upper Leg – Right Front		2	1
F	End Panel		1	4
H	Upper Front Siderail		3	1
I	Upper Rear Siderail		3	1
J	Lower Front Siderail		3	1
K	Lower Rear Siderail		3	1
L	Rear Guardrail		3	2
M	Front Guardrail		3	2
N1	Guard Rail Support – Front & Rear		3	3
N2	Guard Rail Support – Front Near Ladder		3	1
O	Slats		4	2
P	Ladder Rail		3	2
Q	Ladder Step		3	4

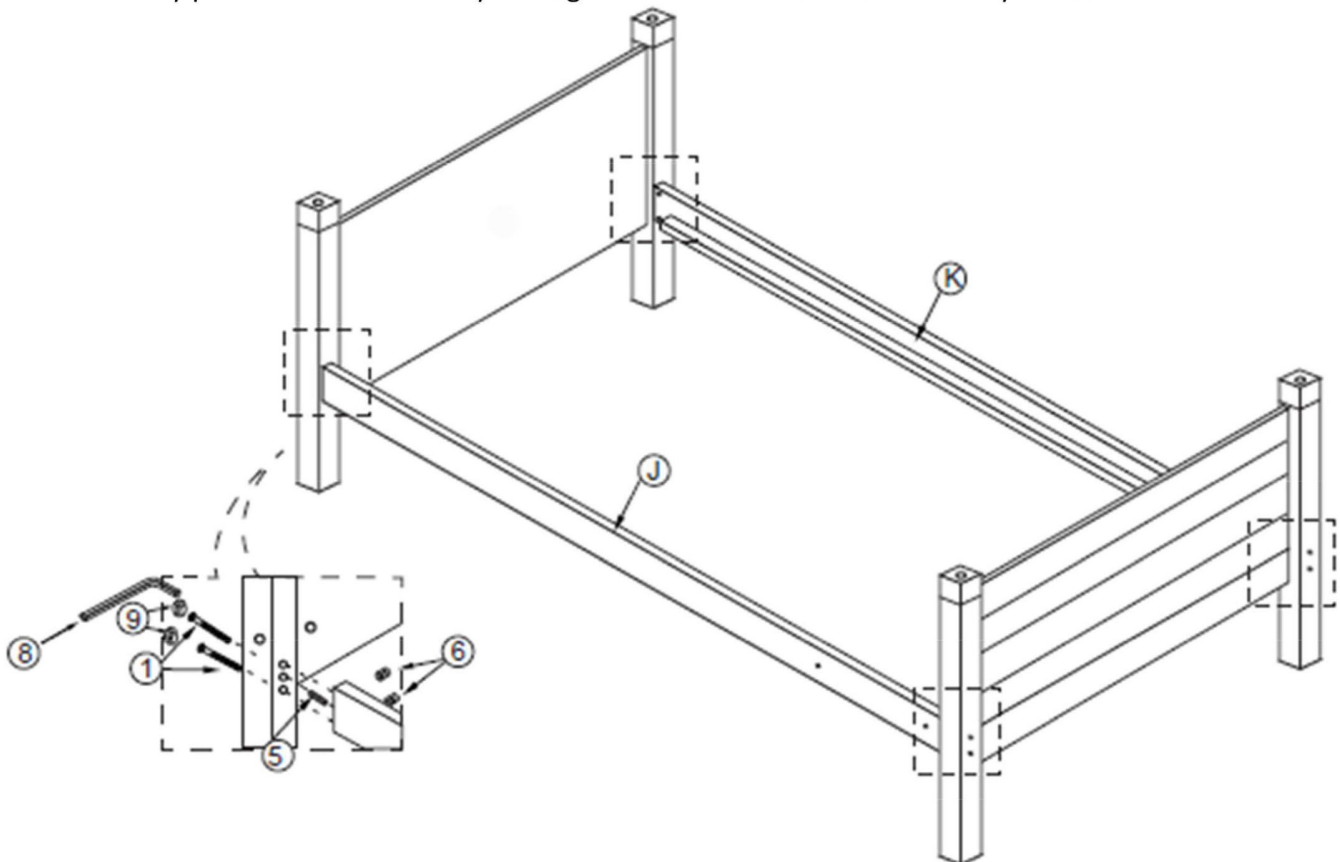
Hardware List (Found in box 4)				
Part	Description			Qty
1	M6 x 80 mm JCBC			32
2	M6 x 50 mm JCBC			8
3	M6 x 30 mm JCBC			41
4	M4 x 25 mm Wooden Screw			48
5	8 x 35 mm Wooden Dowel			36
6	M6 x 13 mm Barrel Nut			46
7	Metal Bar			4
8	M4 Allen Key			1
9	Button			42
10	M6 x 90 mm JCBC			6

** You will need a small mallet and screwdriver (not provided).

Step 1: Attach parts A and B to two end panels (F) using hardware parts 1, 5, 6, 8 and 9.
DO NOT use any power tools as this may damage the frame and will invalidate any claim.

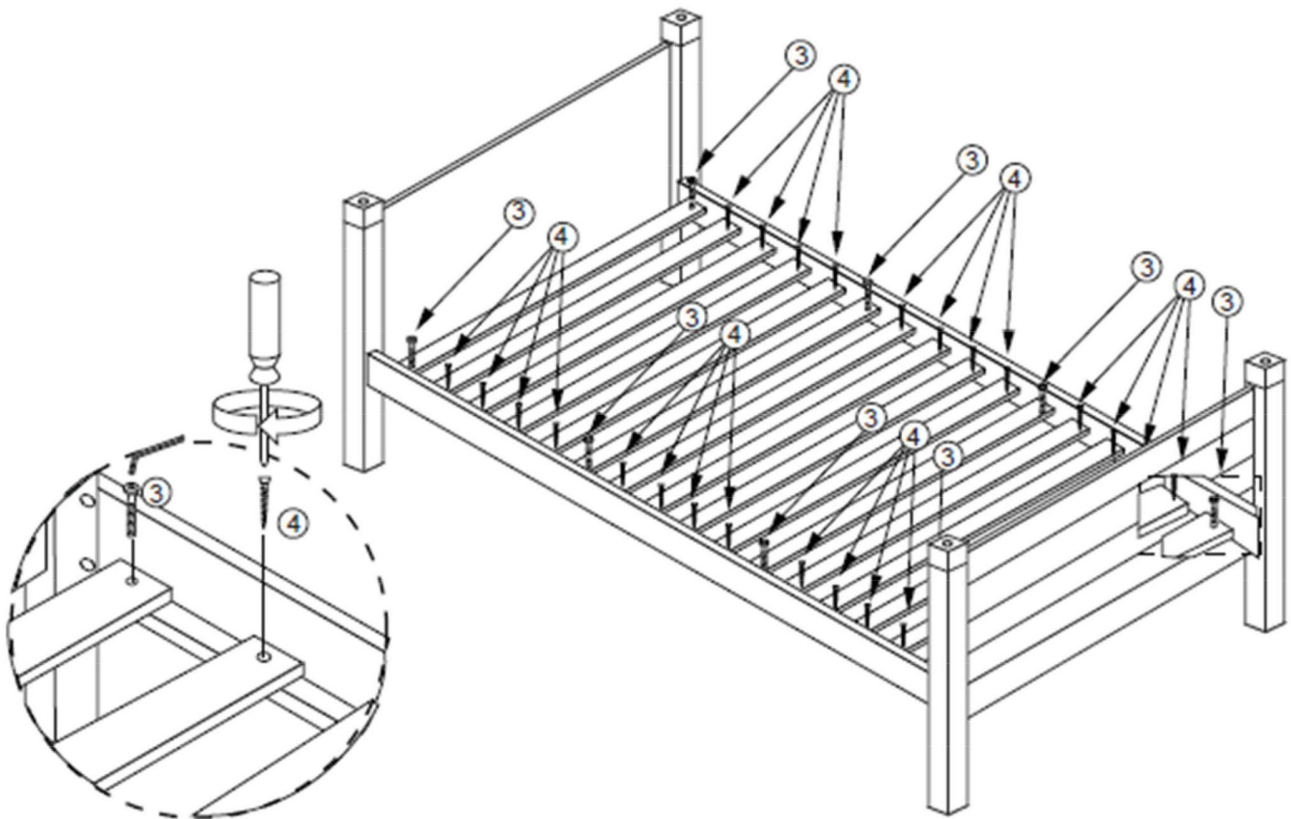


Step 2: Attach the lower front siderail (J) and lower rear siderail (K) using hardware parts 1, 5, 6, 8 and 9.
DO NOT use any power tools as this may damage the frame and will invalidate any claim.



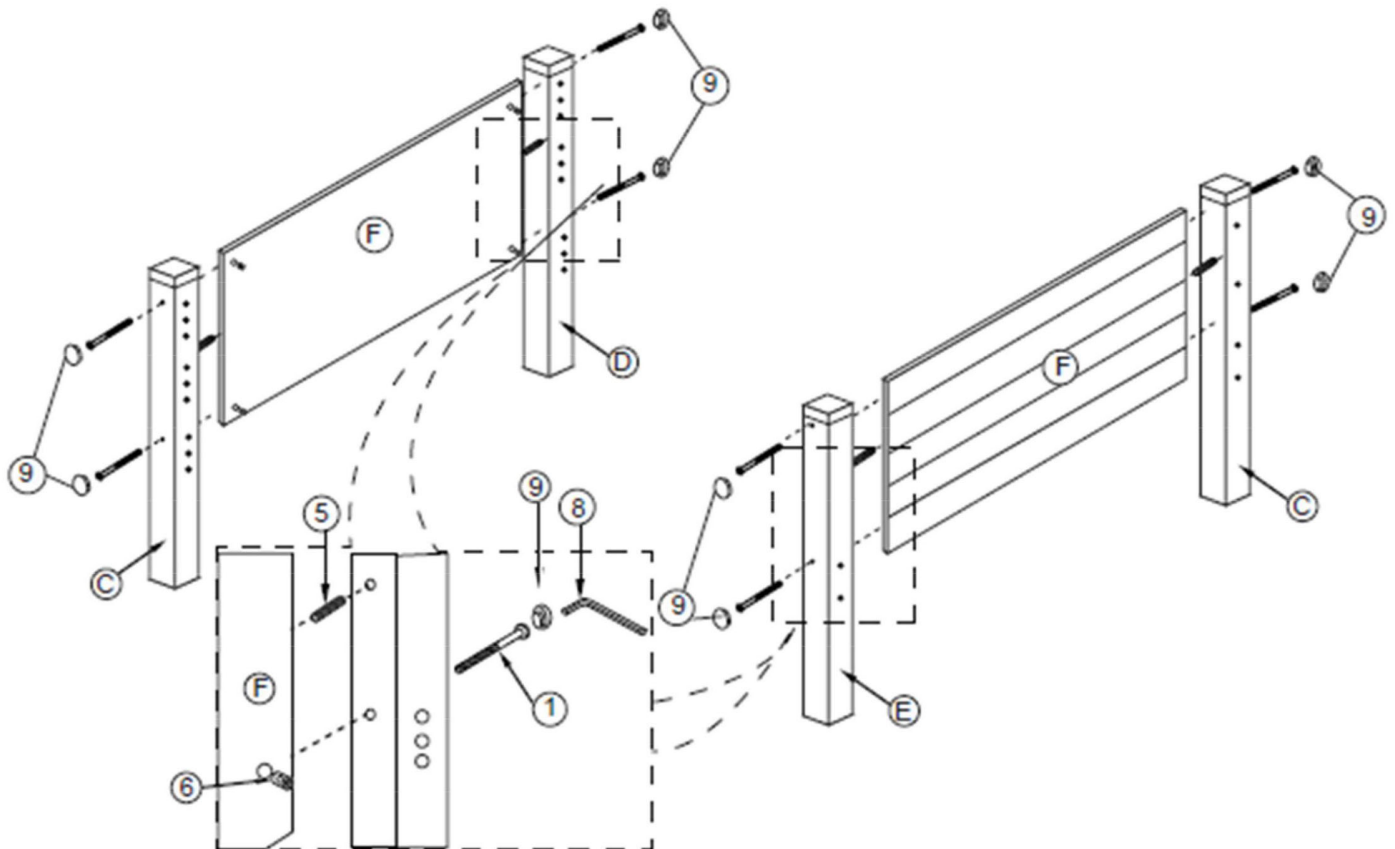
Step 3: Secure the slats (O) using hardware parts 3 and 4.

DO NOT use any power tools as this may damage the frame and will invalidate any claim.

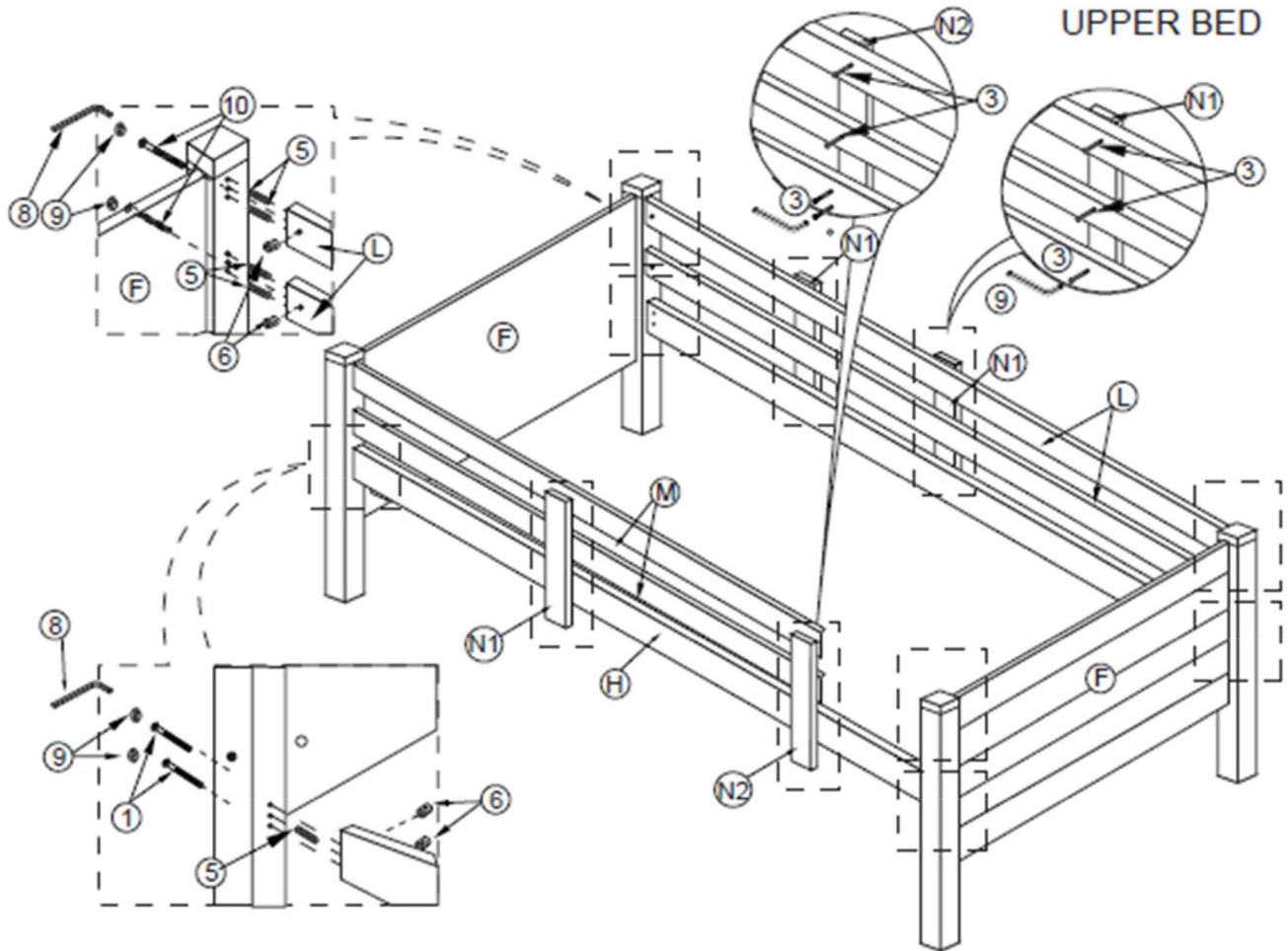


Step 4: Attach parts C, D and E to the remaining two end panels (F) using hardware parts 1, 5, 6, 8 and 9.

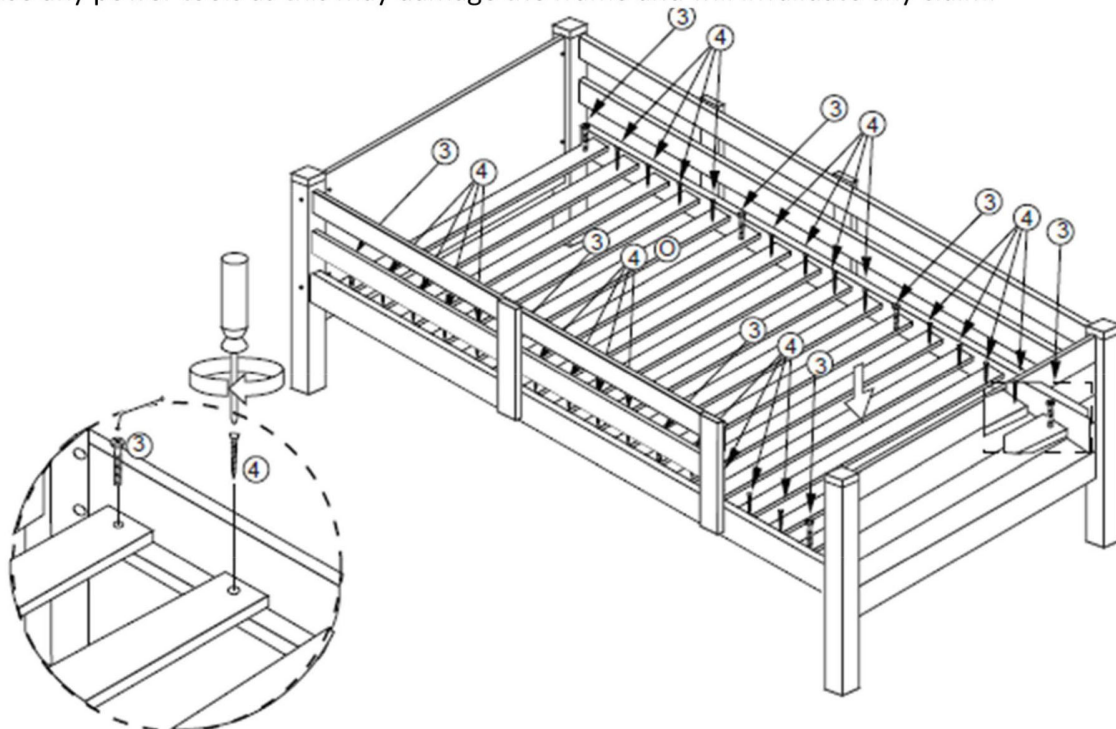
DO NOT use any power tools as this may damage the frame and will invalidate any claim.



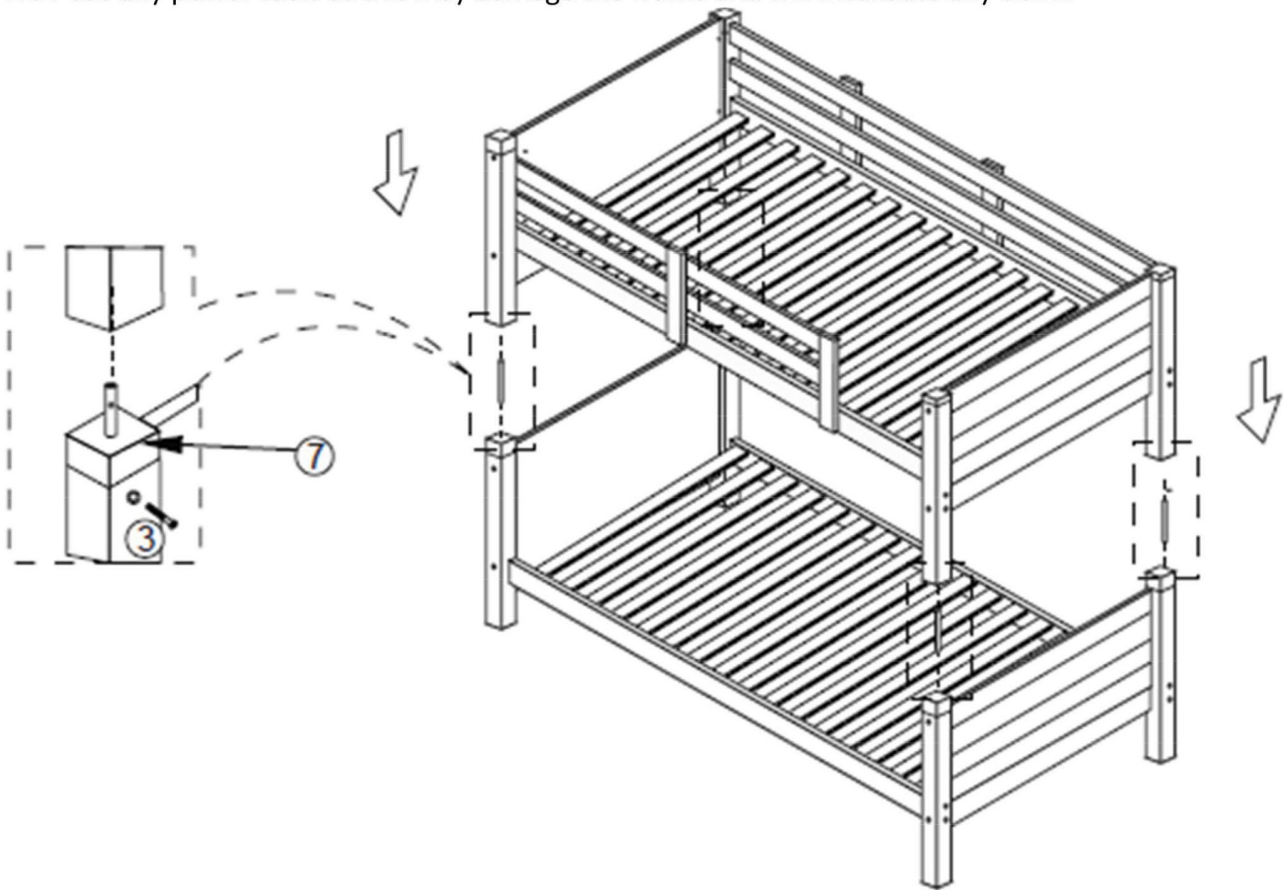
Step 5: Attach the upper front siderail (H) and upper rear siderail (I) using hardware parts 1, 5, 6, 8 and 9. Attach the rear guardrails (L) and front guardrails (M) using hardware parts 5, 6, 8, 9 and 10. Attach the front and rear guardrail supports (N1) and the front guard rail near ladder (N2) using hardware part 3. DO NOT use any power tools as this may damage the frame and will invalidate any claim.



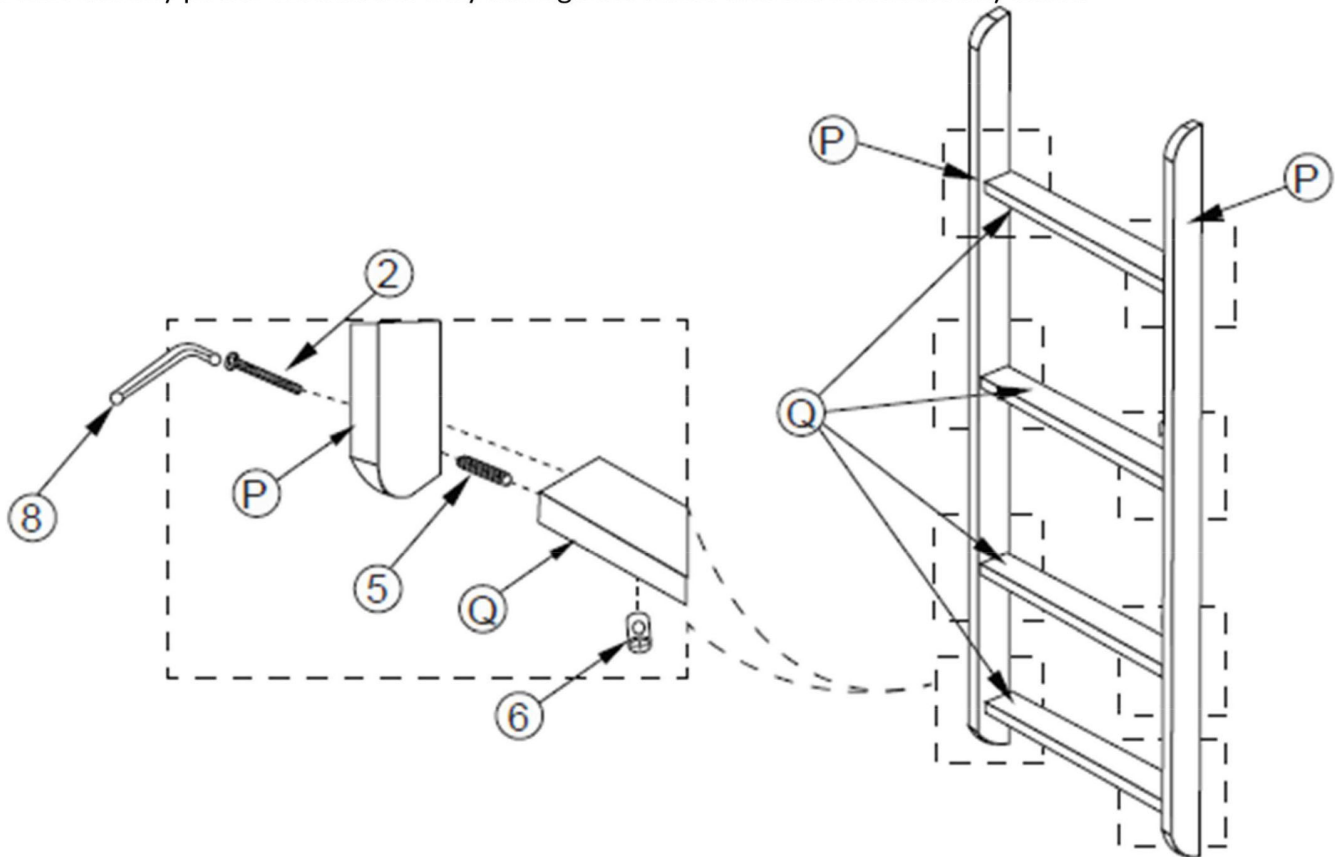
Step 6: Attach the slats (O) using hardware parts 3 and 4. DO NOT use any power tools as this may damage the frame and will invalidate any claim.



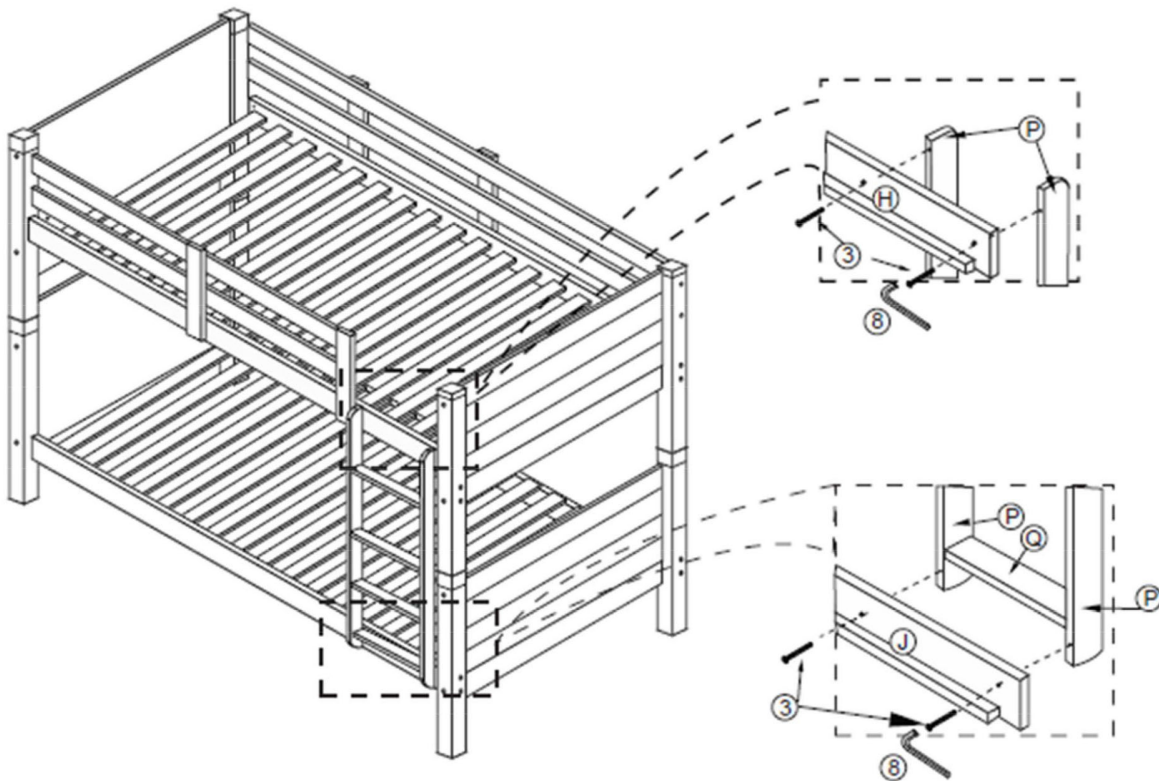
Step 7: Connect the bunks together using hardware parts 3 and 7.
DO NOT use any power tools as this may damage the frame and will invalidate any claim.



Step 8: Attach the ladder steps (Q) to the ladder rails (P) using hardware parts 2, 5, 6 and 8.
DO NOT use any power tools as this may damage the frame and will invalidate any claim.



Step 9: Secure the ladder in position using hardware parts 3 and 8.
DO NOT use any power tools as this may damage the frame and will invalidate any claim.



Additional Information:

- For complete product information, images and dimension diagrams please visit the website www.birlea.com
- If you have any issues with your item please contact the retailer directly you purchased it from who will be able to resolve any issues with Birlea.
- Why don't you send us photos of your assembled furniture to info@birlea.com to be shared in our #birleahome feature on Instagram.



Birlea

Suppliers of inspiration