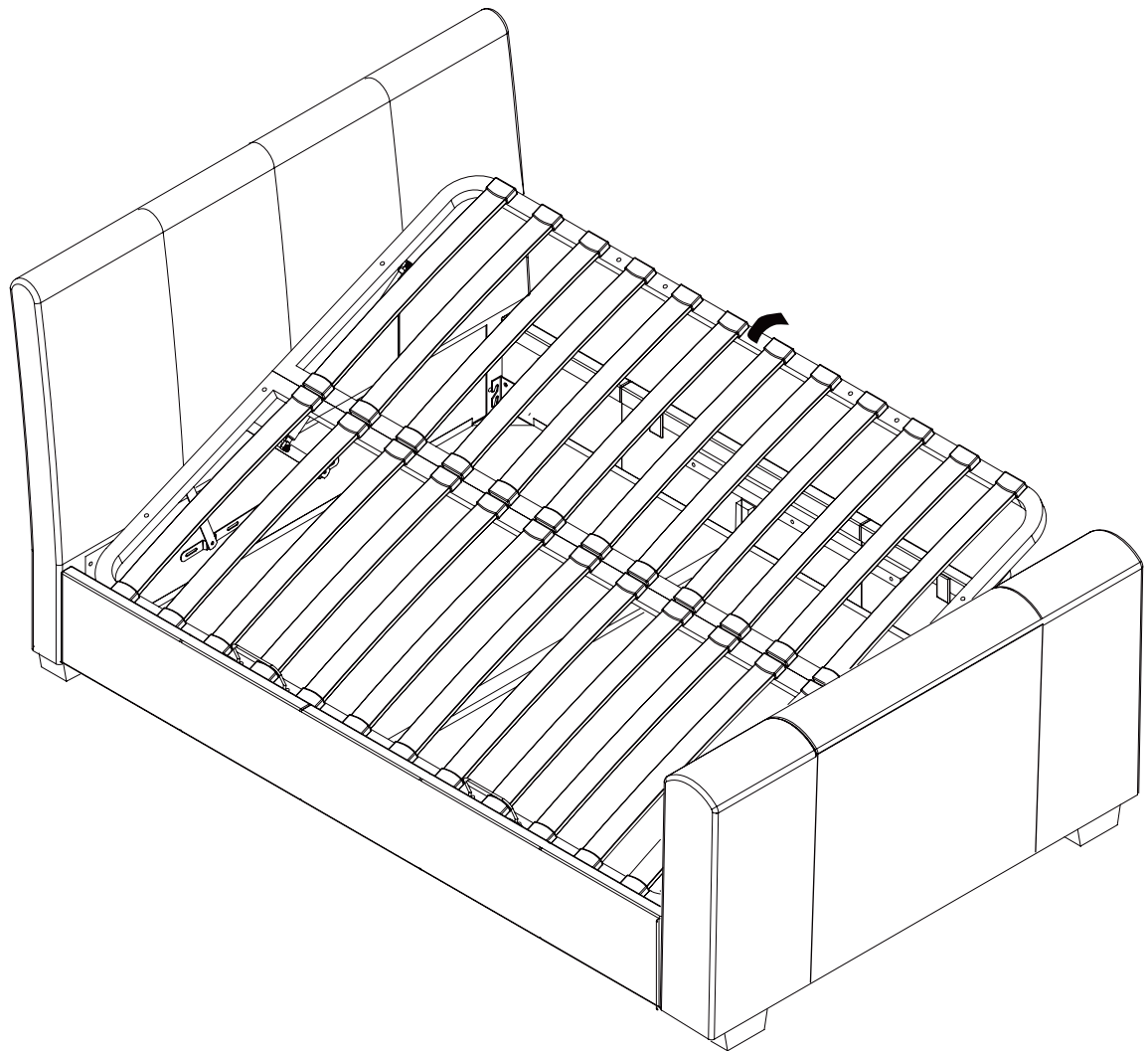


NEW YORK OTTOMAN TV BED

ASSEMBLY INSTRUCTION



DOUBLE: 227.5 x 145 x 101.5_78 CM (LWH_H)

Safety and Care Advice

Assembly time: 1.5 Hours

IMPORTANT - READ CAREFULLY - RETAIN THESE INSTRUCTIONS FOR FUTURE REFERENCE.

- Due to the size of this product we recommend that it is assembled in the room intended for use. Max
- Maximum TV Dimensions: 70 Wide x 39 High x 6cm Deep
- When you are ready to start, make sure that you have the right tools, plenty of space and a clean, dry area for assembly.
- Unwrap all packaging materials and place the components on top of the carton box or on a clean floor to prevent it from scratching.
- Check the pack and make sure you have all the parts listed.
- Ensure that this product is fully assembled and secured as illustrated before use.
- Check all screws or bolts are tightened and inspect regularly.
- This product should only be used on firm, level ground.
- Please dismantle for transportation
- This product complies with the essential requirements of the EMC Directive 2004/108/EC and Low Voltage Directive 2006/95/EC
- Keep away from temperatures over 35°C.
- Only use recommended accessories.
- Tools not included unless stated in the parts list.

WARNINGS

- This product is intended for a maximum person's weight of 100kg per side. Do not exceed this weight.
- Keep small parts out of reach of children.
- Make sure the legs remain in contact with the ground.
- Do NOT use power tools to construct this product.
- Do NOT tighten screws until fully assembled.
- Do NOT over tighten screws or bolts.
- Do NOT use this product if parts are missing, damaged or worn.
- Do NOT stand on the product
- Please pay particular attention when children or animals are present to ensure that no accidental entrapment occurs whilst operating this product.
- DO NOT expose this product to dripping or splashing, rain or areas with heavy moisture.
- DO NOT place any objects filled with liquids, such as vases, on the product.
- DO NOT place the product in direct sunlight, open flames such as candles or heat, such as radiators. Keep away from temperatures over 35°C.
- DO NOT insert foreign objects into the product.
- DO NOT attempt to repair this unit by yourself.

CARE INFORMATION

- Never use scourers, abrasives or chemical cleaners.
- To clean wipe with a sponge and warm soapy water. Do not use solvent based cleaners or detergents as they can bleach or damage the product.

Safety and Care Advice

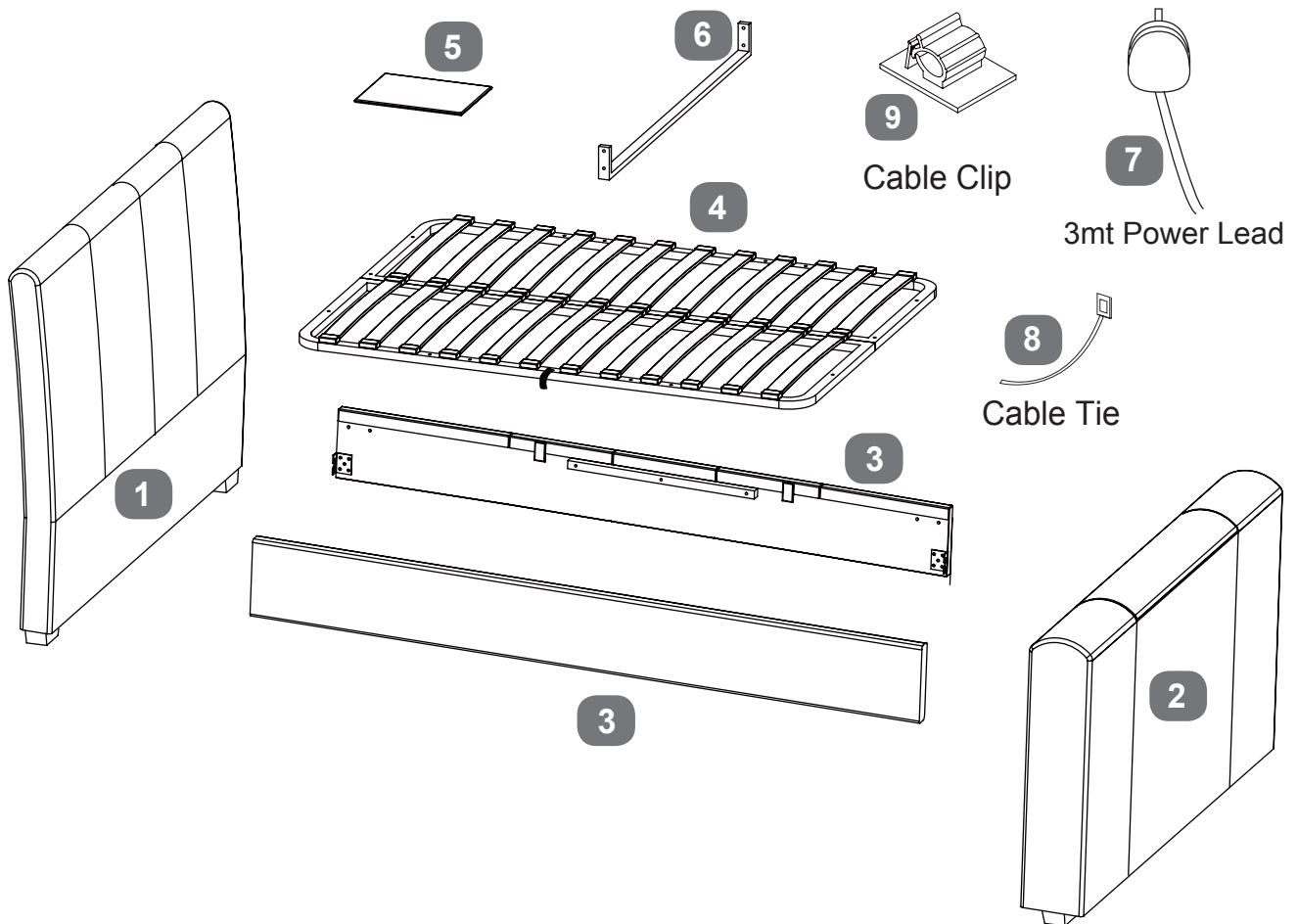
WARNINGS - ELECTRICAL COMPONENTS

- Before using the unit, please read these instructions carefully.
- Unplug the unit during lightning storms or when unused for long periods of time.
- The unit should be powered off before plugging the product into the power outlet. This unit should be powered off before unplugging the product. Install this unit so that the power cord can be unplugged from the socket immediately if any problems occur.
- Never try to repair this product yourself, take it to an authorized technician. Trying to remove panels or repairing the unit yourself could result in an electric shock. Servicing is required when the unit has been damaged in any way, such as power supply cord or plug is damaged, liquid has been spilled or objects have fallen onto the unit, the unit has been exposed to rain or moisture or does not operate normally.
- In order to prevent injury, never attempt to remove the cover or any other components.
- This appliance is not intended for use by persons (including children) with reduced physical, sensory or mental capabilities, or lack of experience and knowledge, unless they have been given supervision or instruction concerning the use of the appliance by a person responsible for their safety.
- Children (under the age of 13) should be supervised to ensure that they do not play with the appliance.

Parts Checklist

Ref.	Description	Qty	Ref.	Description	Qty
1	Headboard	1	6	'U' shaped bar	1
2	Footboard	1	7	3mt Power Lead	1
3	Side Panel	2	8	Cable Tie	3
4	Metal Slat-Frame	1	9	Cable Clip	3
5	Base Fabric Cover	1			

Parts Identification



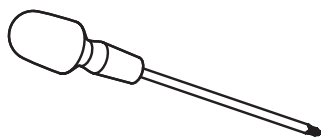
Fittings Checklist

Code	Description	Qty	Code	Description	Qty
A	Bolt (M8x30mm) Fitting side panel (3), corner brackets (L) & lift mechanisms (V) to headboard & footboard (1&2)	x32	K	Cable Manager Tube	x1
B	Spring Washer	x38	Q	Cable Tie	x3
C	Flat washer (17x8mm)	x44	R	Flange Lock-Nut (M6)	x2
D	Allen Key (5mm)	x1	S	Mattress Stopper	x2
E	Nut (M8) Fitting gas-lift mechanisms (V) to metal slat-frame (4)	x6	T	Angle Bracket	x4
F	Cable Clip	x3	U	Screw (4x50mm) fitting 'U' shaped bar (6) to side panel (3)	x4
G	Bolt (M8x45 mm) Fitting gas-lift mechanisms (V) to metal slat-frame (4)	x6	V (a)	Lift Mechanism	x1
H	Spanner For holding nuts (E)	x1	V (b)		x1
J	Cable Manager Clip	x1			

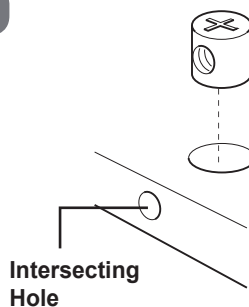
TV INSTALLATION KIT

L	Screw-Washer set (M8)	x4	M	Allen Key (5mm)	x1
	Counter-Sunk Screw (M6)	x4		Allen Key (4mm)	x1
	Counter-Sunk Screw (M4)	x4		Allen Key (3mm)	x1
N	Nuts-Washer set (M6)	x2	P	Spanner for Nuts (N)	x1

Additional Tools Required



Crosshead Screwdriver



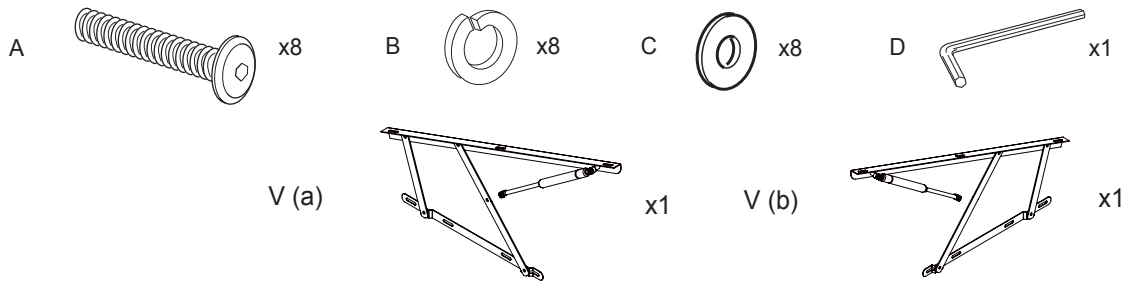
When they are supplied and are part of the assembly of this bed, ensure that barrel nuts are fitted the correct way so the hole is facing towards the intersecting hole.

We recommend the bed is assembled in the room it will be located in.

Bed Assembly

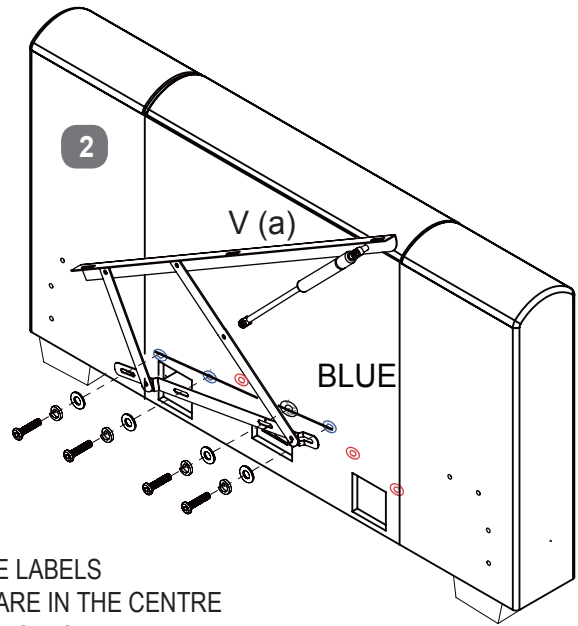
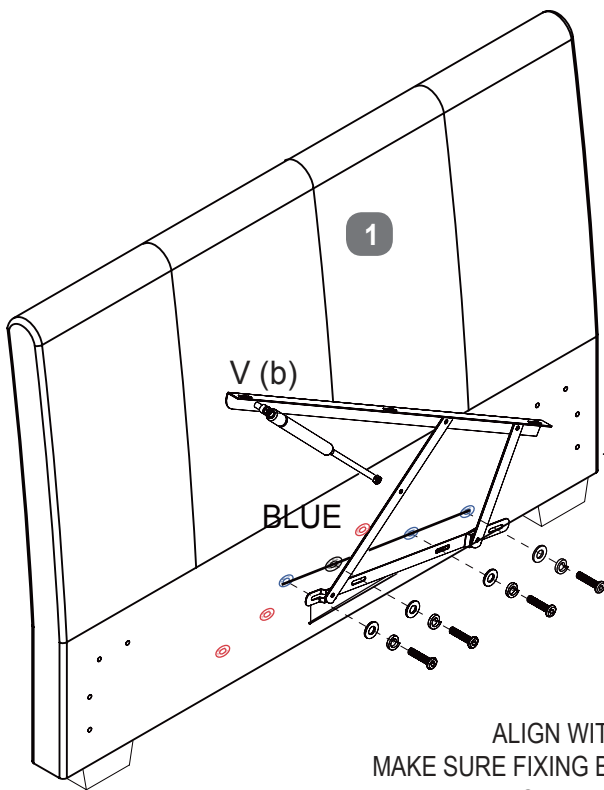
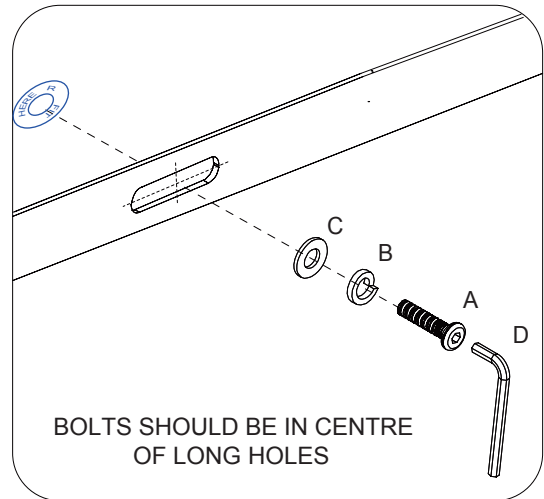
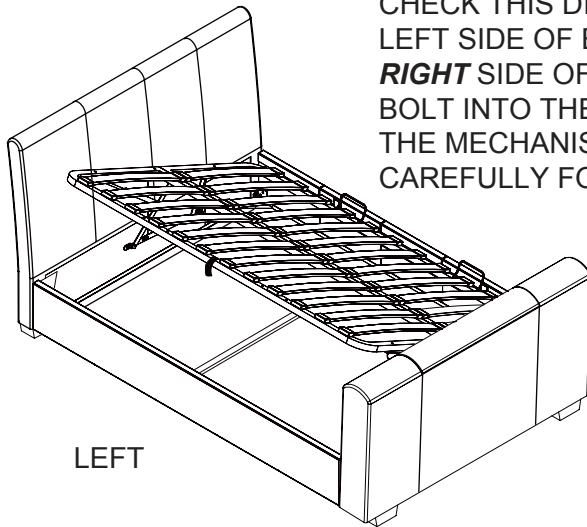
Stage
1A

CHOOSE WHICH SIDE YOU WANT TO LIFT UP



CHECK THIS DIAGRAM AND IF ACCESS IS NEEDED FROM LEFT SIDE OF BED, FIT THE PAIR OF LIFT MECHANISMS TO **RIGHT** SIDE OF THE BED.

BOLT INTO THE HOLES MARKED (R) WITH BLUE LABELS. THE MECHANISMS ARE LABELED V (a) & V (b) - PLEASE CAREFULLY FOLLOW THE DIAGRAM BELOW.

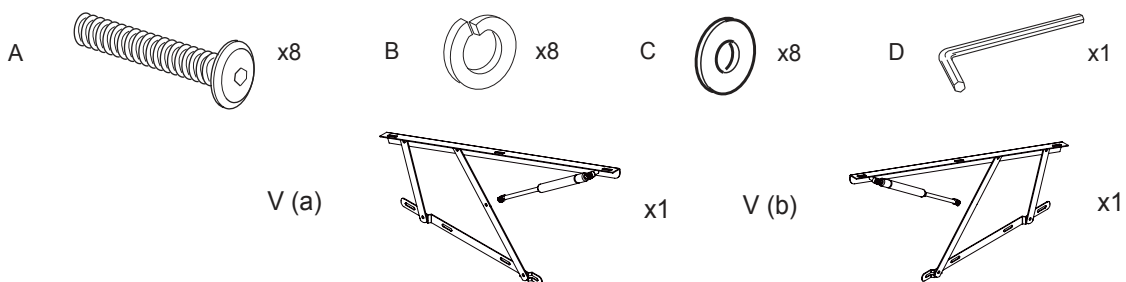


ALIGN WITH BLUE LABELS
MAKE SURE FIXING BOLTS ARE IN THE CENTRE OF THE LONG HOLES

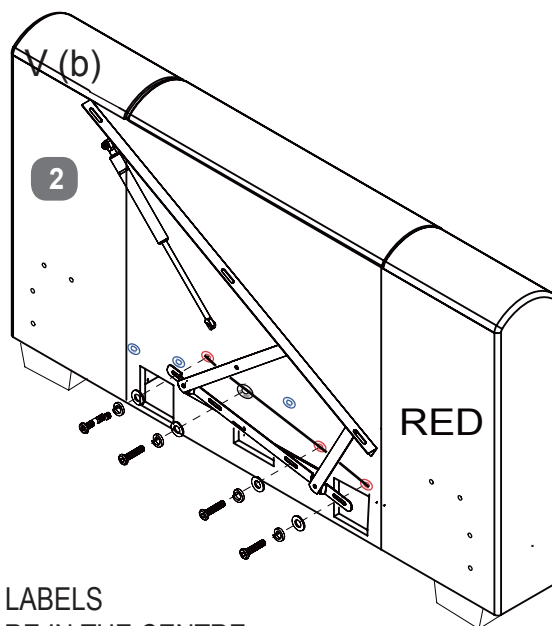
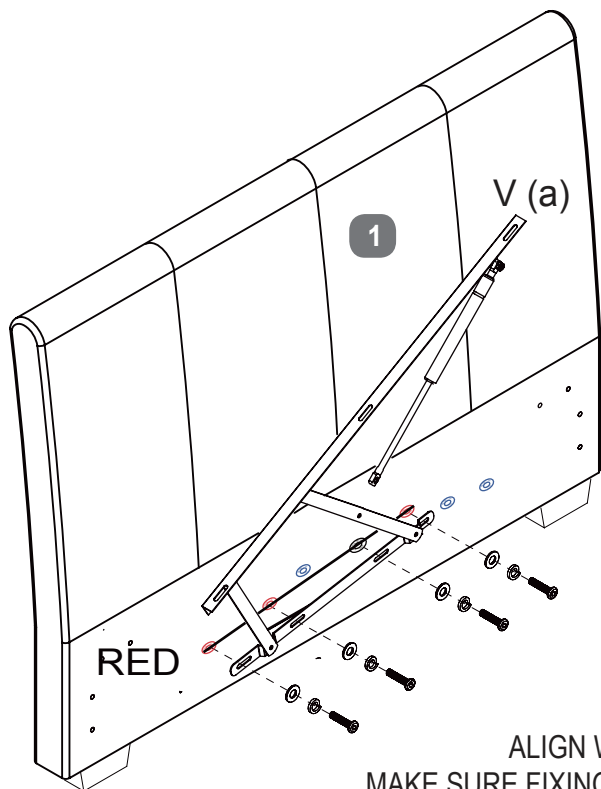
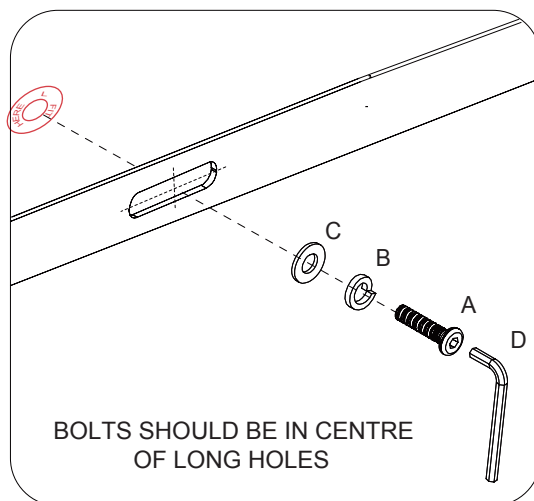
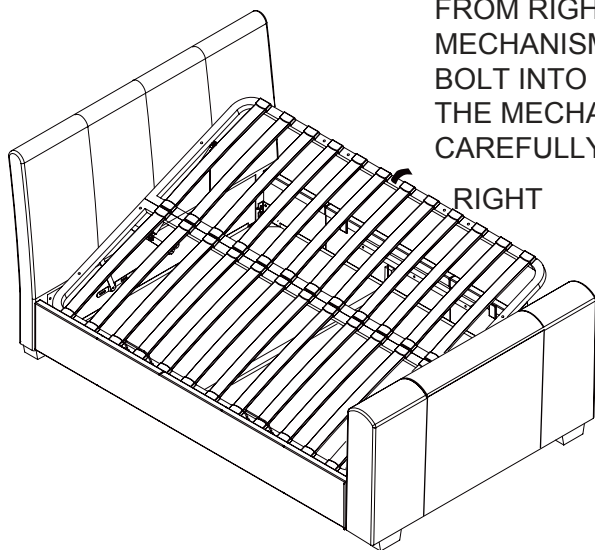
Bed Assembly

Stage
1B

CHOOSE WHICH SIDE YOU WANT TO LIFT UP



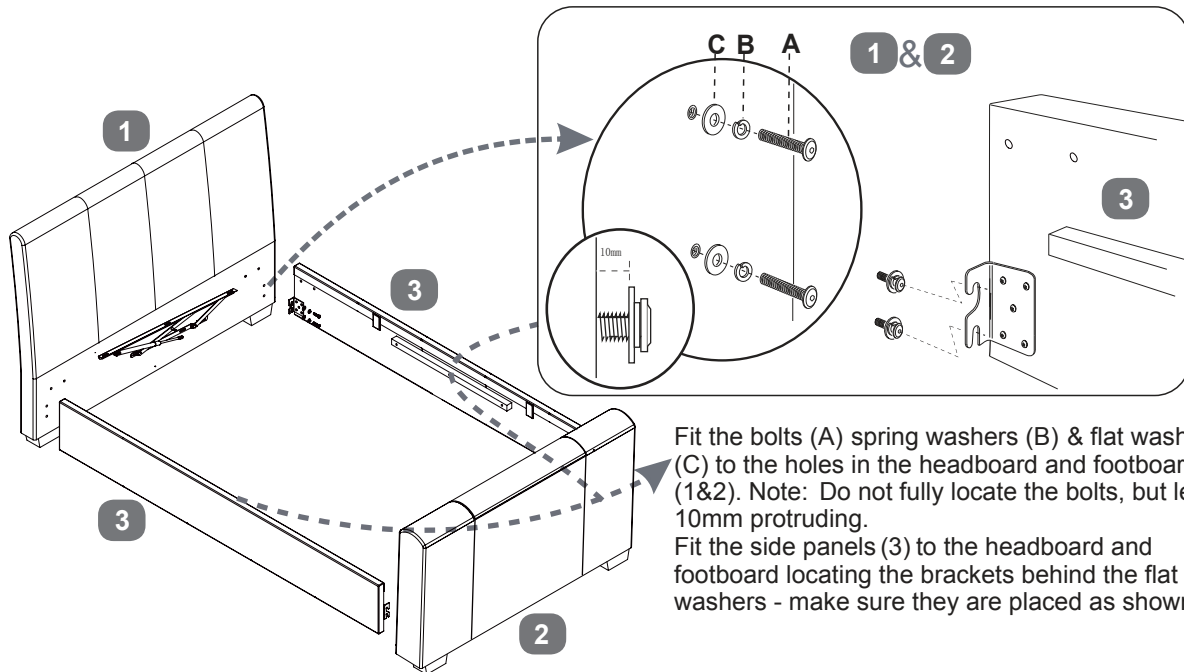
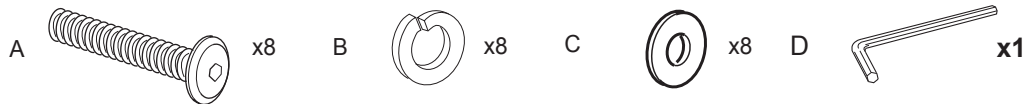
CHECK THIS DIAGRAM AND IF ACCESS IS NEEDED FROM RIGHT SIDE OF BED, FIT THE PAIR OF LIFT MECHANISMS TO **LEFT** SIDE OF THE BED. BOLT INTO THE HOLES MARKED (L) WITH RED LABELS. THE MECHANISMS ARE LABELED V (a) & V (b) - PLEASE CAREFULLY FOLLOW THE DIAGRAM BELOW.



ALIGN WITH RED LABELS
MAKE SURE FIXING BOLTS ARE IN THE CENTRE OF THE LONG HOLES

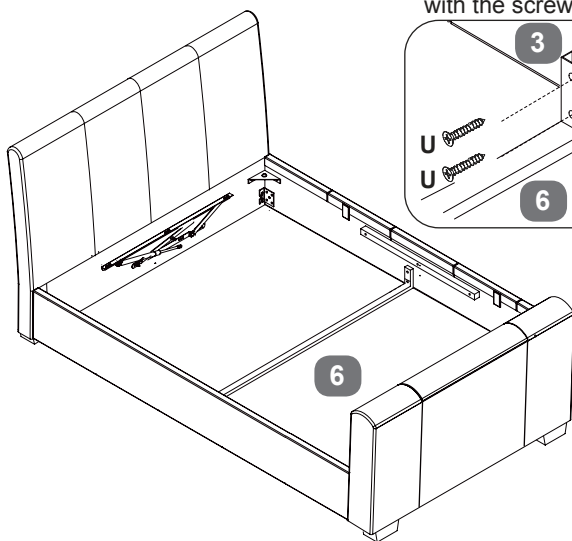
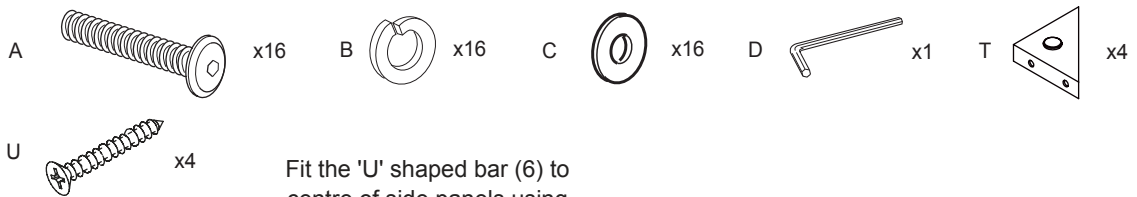
Bed Assembly

Stage
2

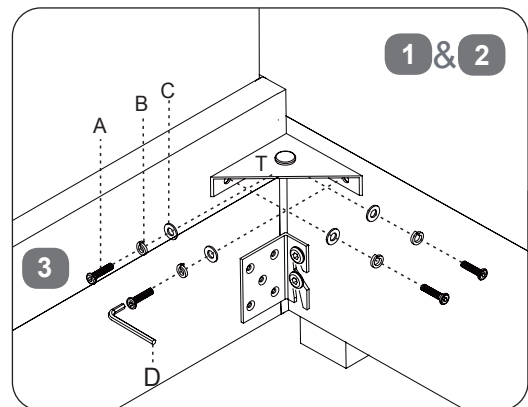


Fit the bolts (A) spring washers (B) & flat washers (C) to the holes in the headboard and footboard (1&2). Note: Do not fully locate the bolts, but leave 10mm protruding.
Fit the side panels (3) to the headboard and footboard locating the brackets behind the flat washers - make sure they are placed as shown.

Stage
3



Fit the 'U' shaped bar (6) to centre of side panels using screws (U). The marks on the side panels should be lined up with the screw holes.



Fit the angle brackets (T) into the corners of the Headboard & Footboard (1&2) and Side Panels (3). Fit the bolts (A) with washers (B&C) through holes in angle brackets (T) as shown. Fit all four brackets but do not tighten bolts yet.



MAKE CERTAIN THE BED IS SQUARE AS SHOWN.

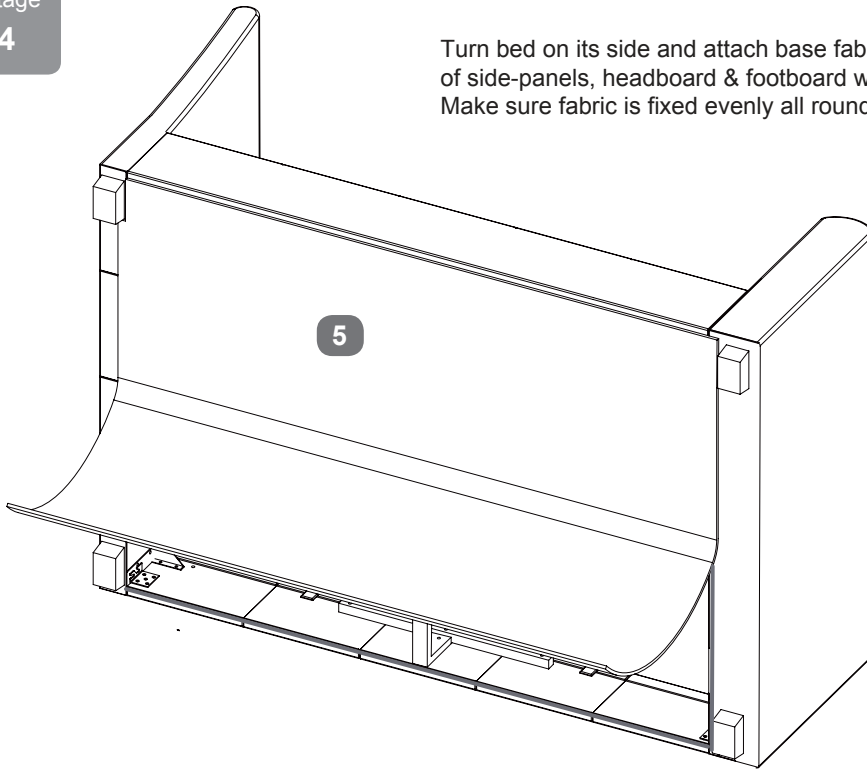
Note: THEN tighten all bolts 100% using allen key (D)

Bed Assembly

Stage

4

Turn bed on its side and attach base fabric cover (5) to bottom of side-panels, headboard & footboard with the velcro tape. Make sure fabric is fixed evenly all round.



PREPARE TO INSTALL TV

Stage

5

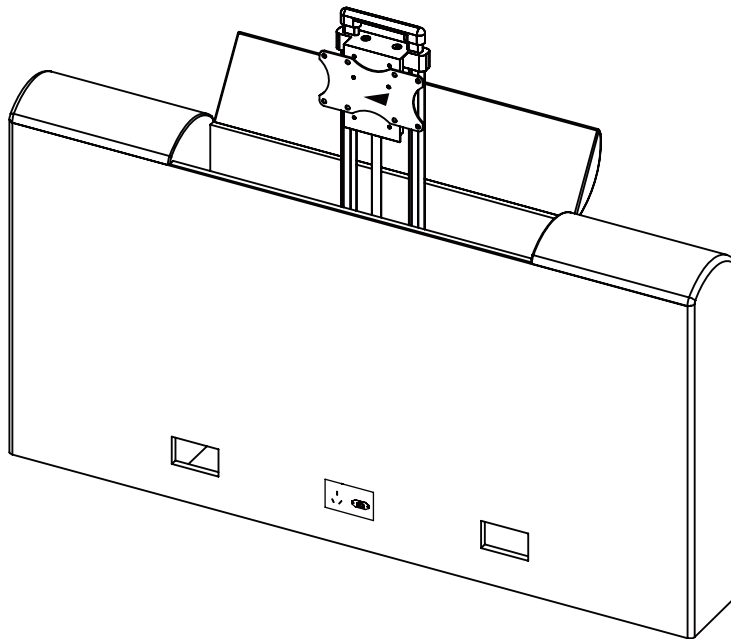
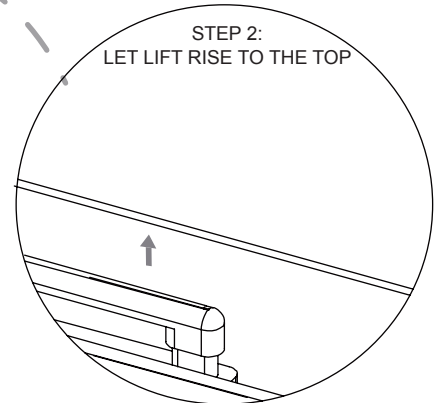
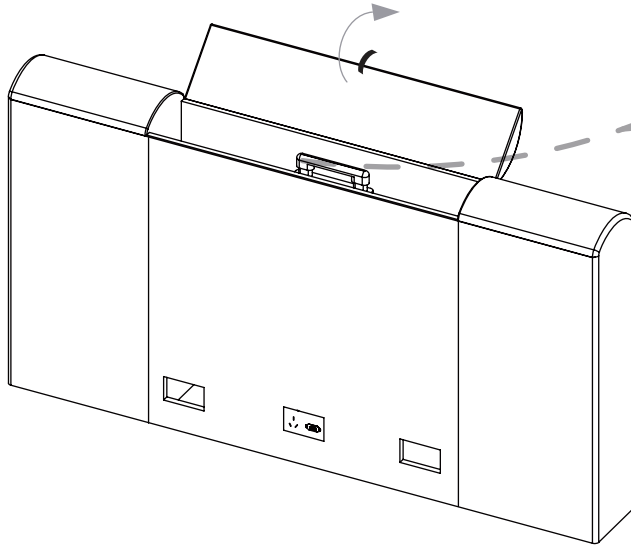
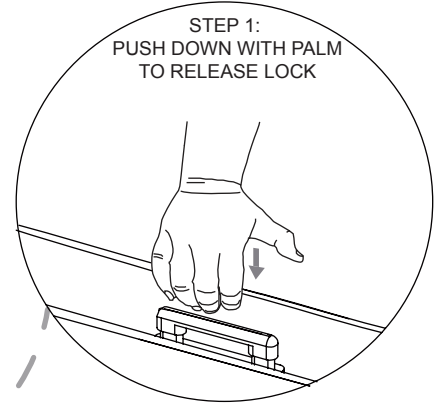
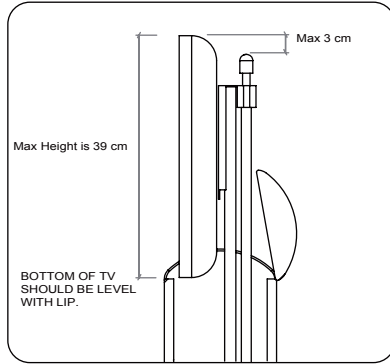
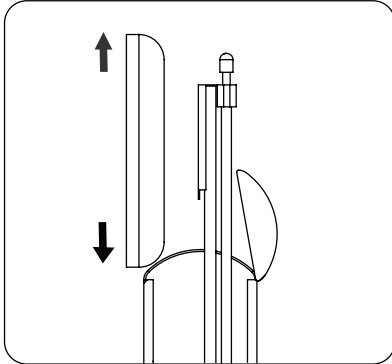
Before fitting the television to the TV lift, please check below:

Maximum dimensions of TV that can be used in this bed:

Width = 70 cm

Depth = 6 cm

Height = 39 cm



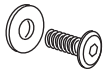

TV mounting bracket is factory fitted. If your TV has a 75 x 75mm VESA fixing - remove it & fit TV directly to column bracket.

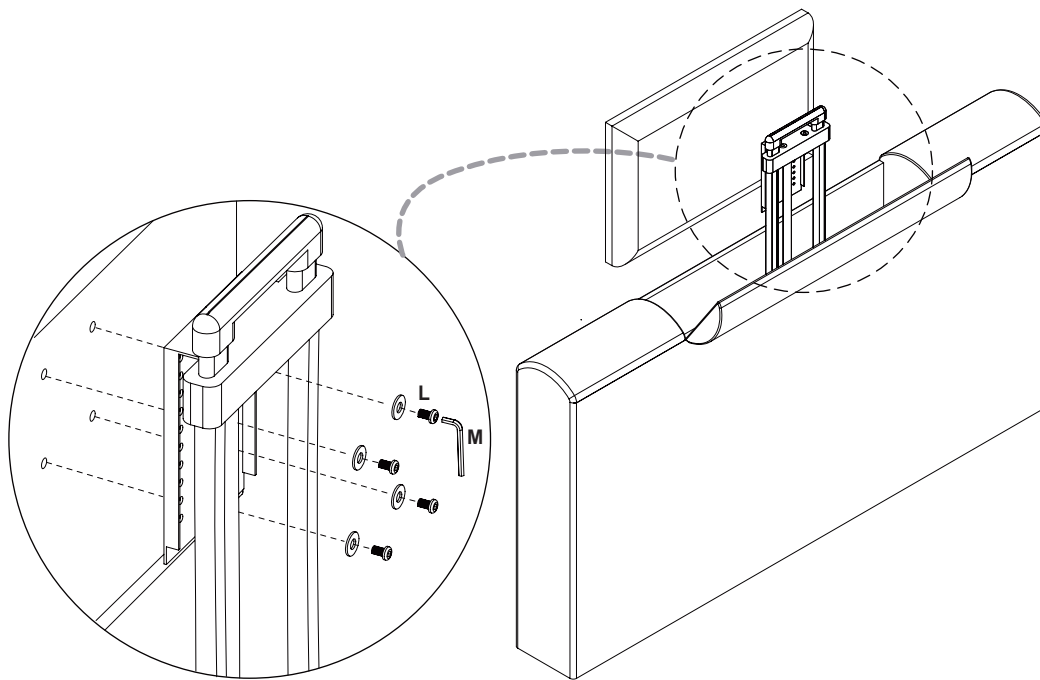
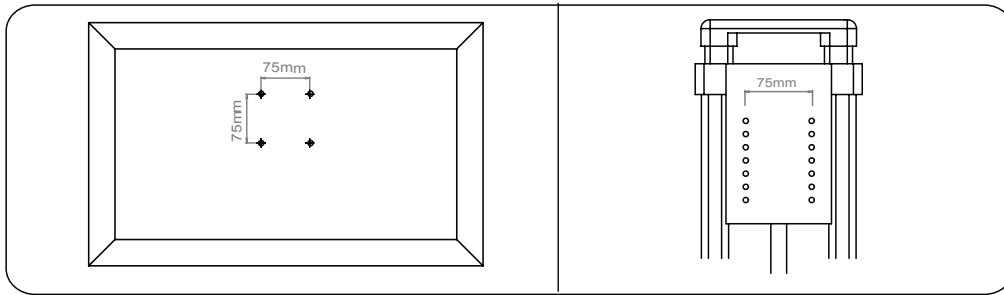
For 100x100mm or 200x100 VESA, use the TV mounting bracket. Fit to TV first making sure it is level. Use screws supplied with TV or from TV installation kit in main hardware pack. For any other Vesa mounting, please use an adaptor plate that can be purchased from an on-line store.

Fitting TV - Vesa 75x75

Stage
6a

TV INSTALLATION KIT

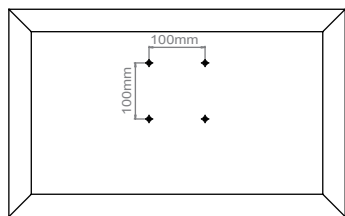
L	Screw-Washer set (M8/M6/M4)		x4
M	Allen Key (5mm/4mm/3mm)		x1



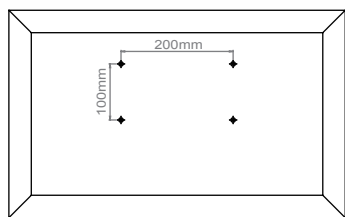
Fitting TV - Vesa 100x100 or 200x100

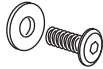
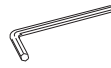

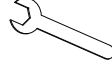
Stage
6b

TV INSTALLATION KIT

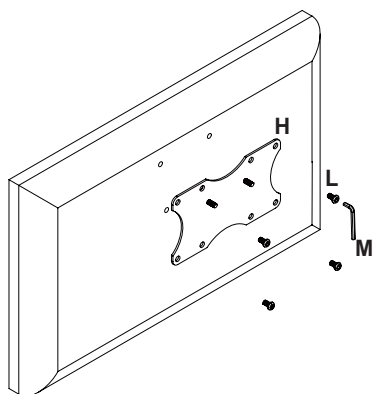


or

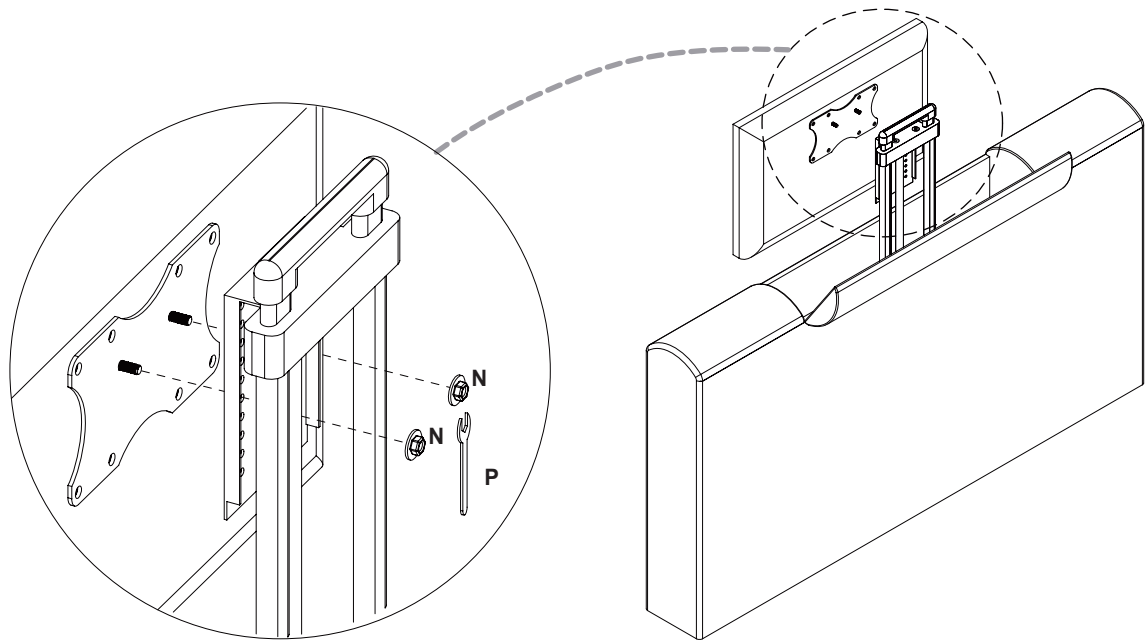
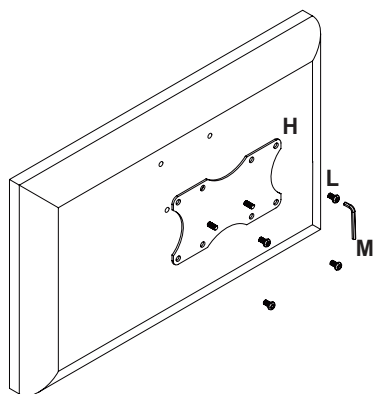


L	Screw-Washer set (M8/M6/M4)		x4
M	Allen Key (5mm/4mm/3mm)		x1
N	Nuts-Washer set (M6)		x2
P	Spanner for Nuts		x1

NOTE THAT THE BRACKET CAN BE TURNED UP-SIDE DOWN IF NECESSARY



or



TV Levelling Adjustment

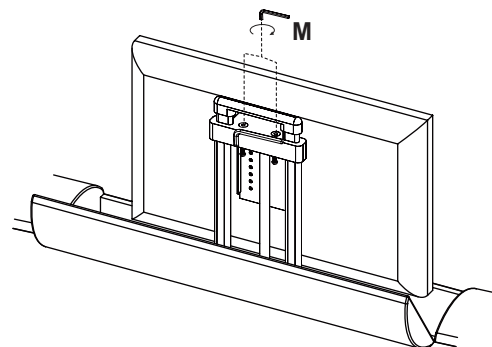
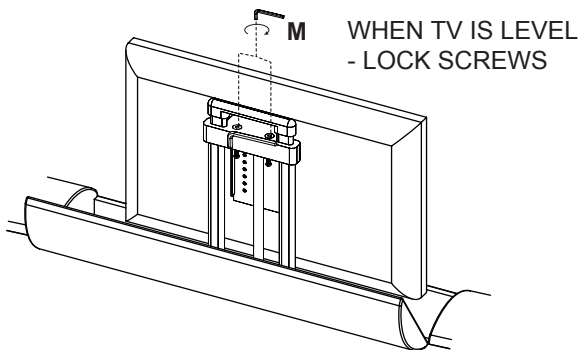
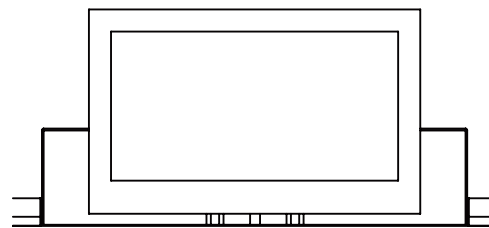
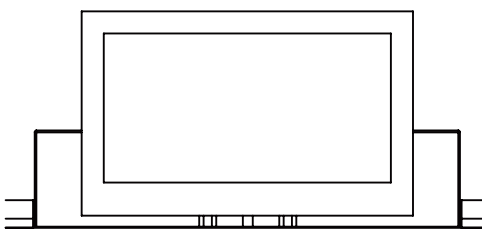
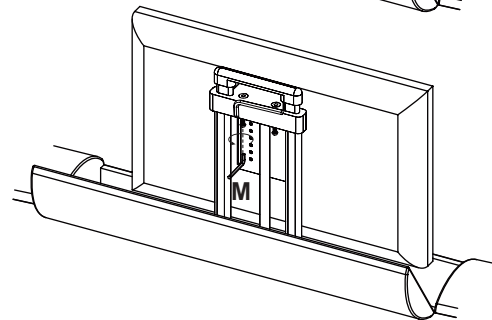
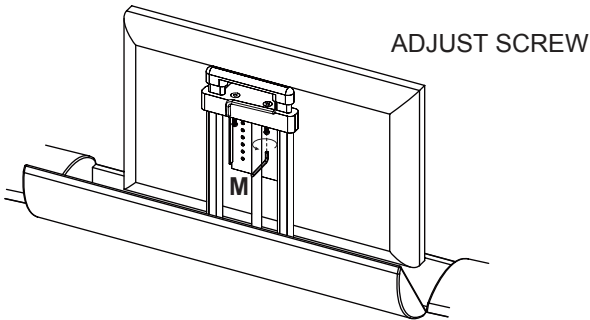
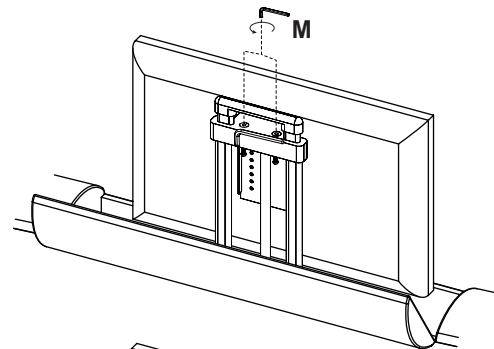
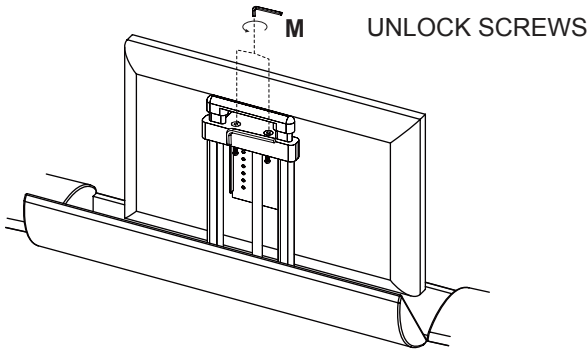
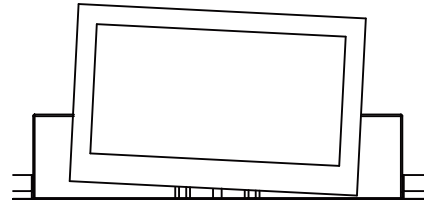
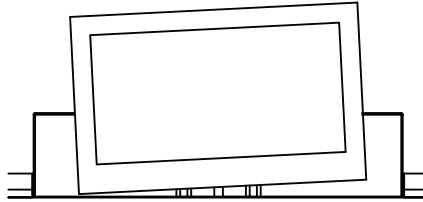
Stage
7

TV BRACKET IS LEVELLED DURING MANUFACTURE - IF YOU NEED TO DO IT AGAIN, FOLLOW THIS METHOD.

M Allen Key (4mm)



x1



Fitting Cables

Stage
8

J

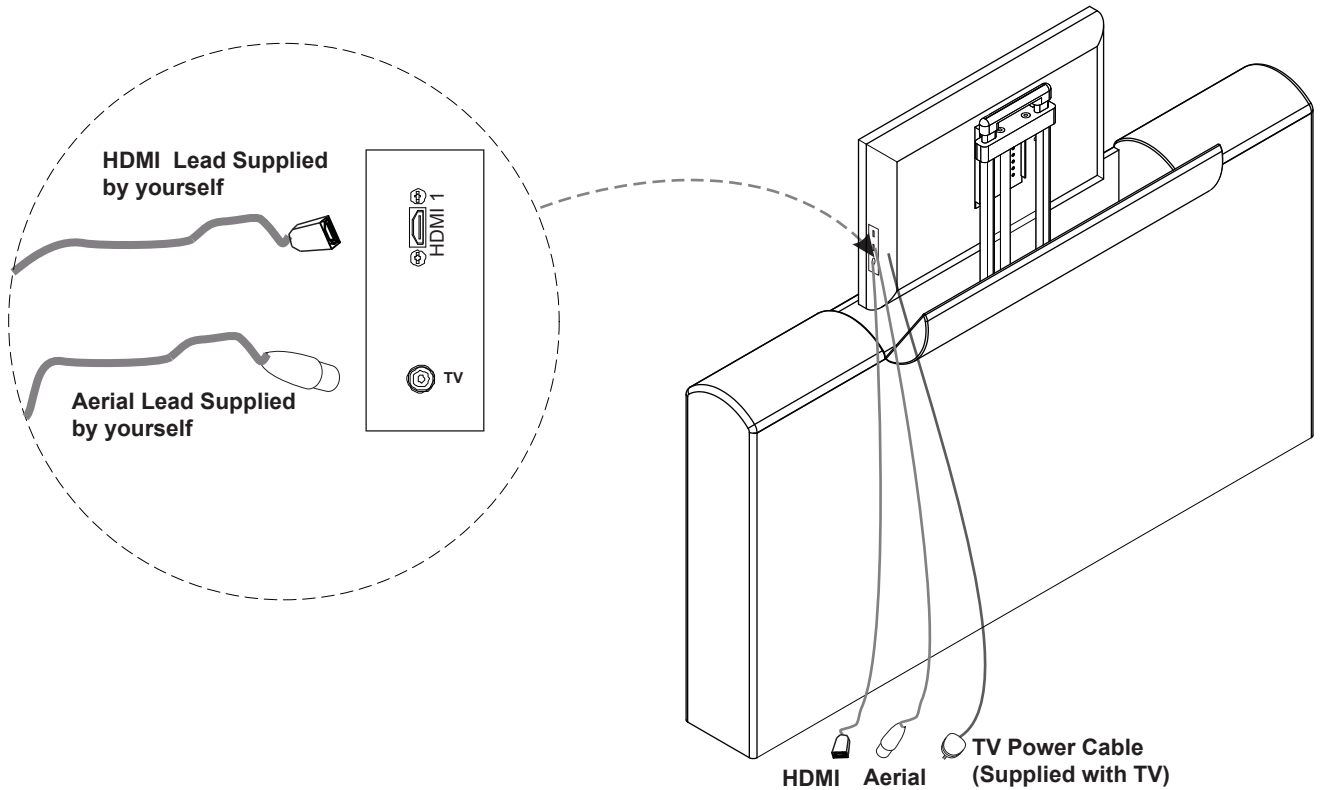


x1

K

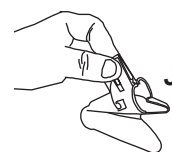
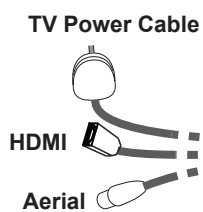


x1



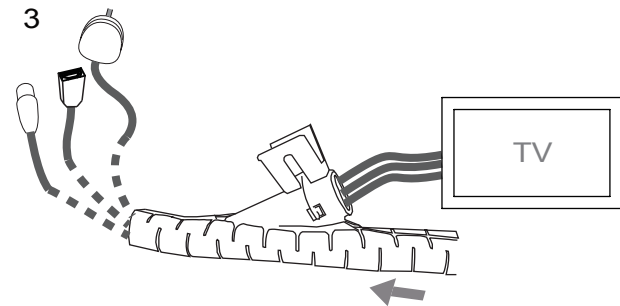
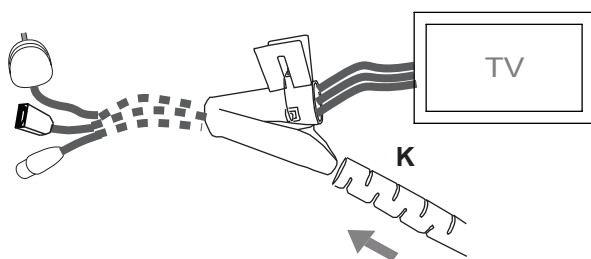
1

Close to TV, place the the cable manager clip over the cables.



2

3



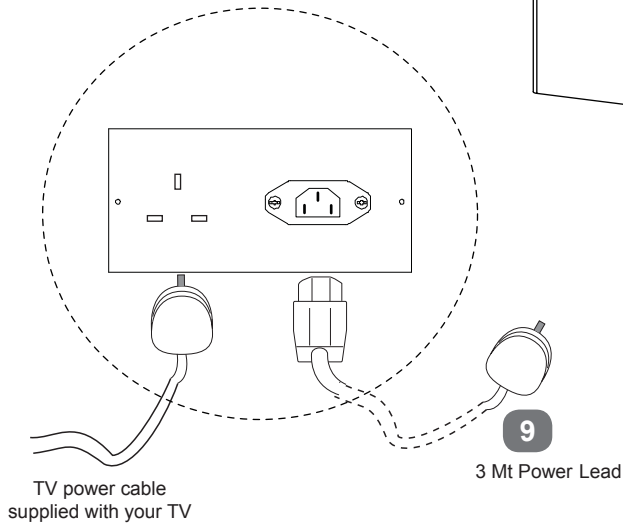
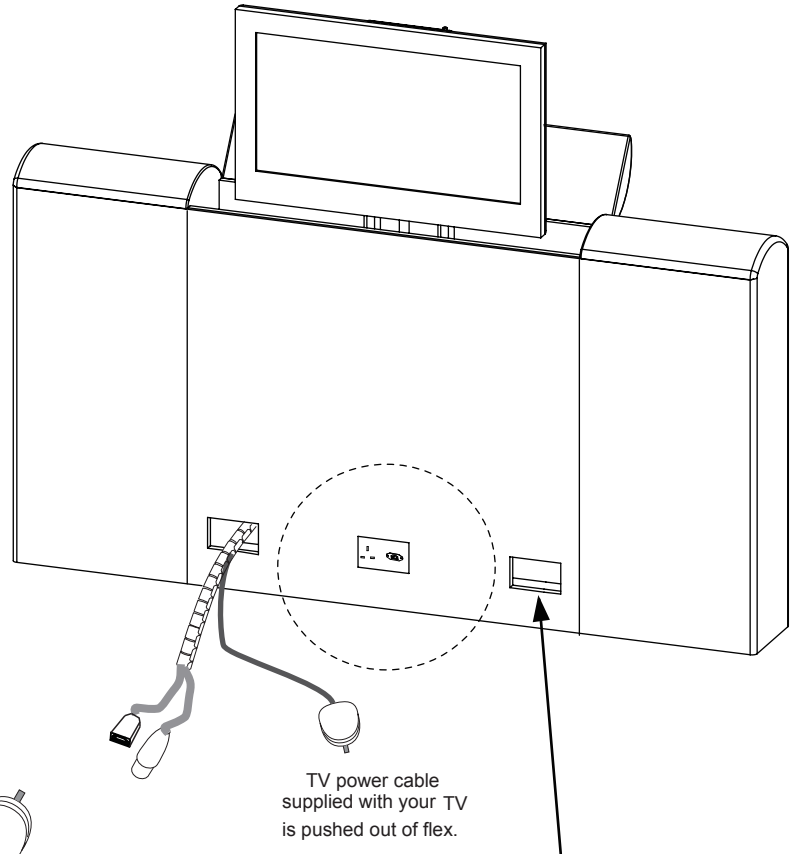
Feed tube in this direction-hold clip firmly in place

Connect Power Lead

Stage

9

Connect the power lead plug (9) into the socket located at the bottom of the footboard (2), then connect to your wall socket. Note that the plug has an earth blade and the wall socket must have an earth terminal too. The plug connection must be easy to reach if you need to disconnect the power.



Use left or right duct, depending on the ports that are on your TV - take the shortest route.

Plug the TV power cable into the socket at bottom of footboard then connect your own media cables as required.

Connect the cables to the television & media equipment making sure the cables are not loose. If necessary use cable ties & cable clips to route cables safely (10&11).

The television can now be operated following the TV Operation Manual.

To lower the television back into the footboard, push TV lift down until it locks - note when TV is fitted, it is easier to push due to balance of the weight.

When down, power for TV turns off automatically.

When TV is raised, power turns back on automatically.

Trouble shooting

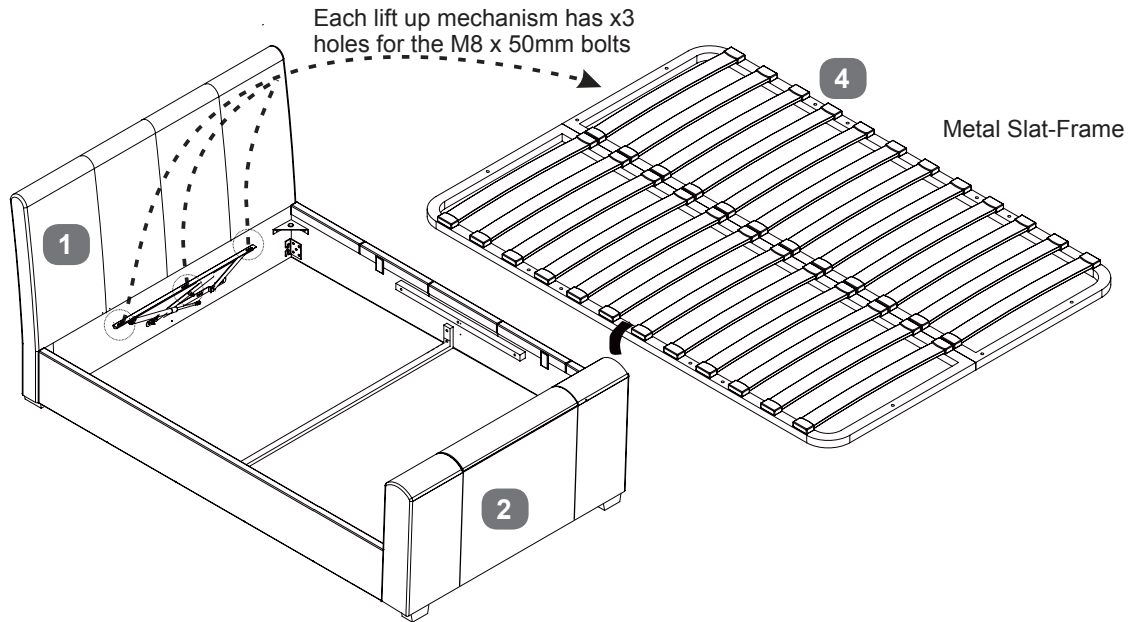
If your television does not operate please check all the power connections, both to the wall and to the socket in the footboard. Make sure TV is switched on.

Note: TV will only work when it is in the up position.

Bed Assembly

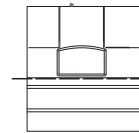
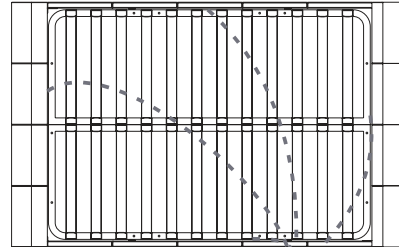
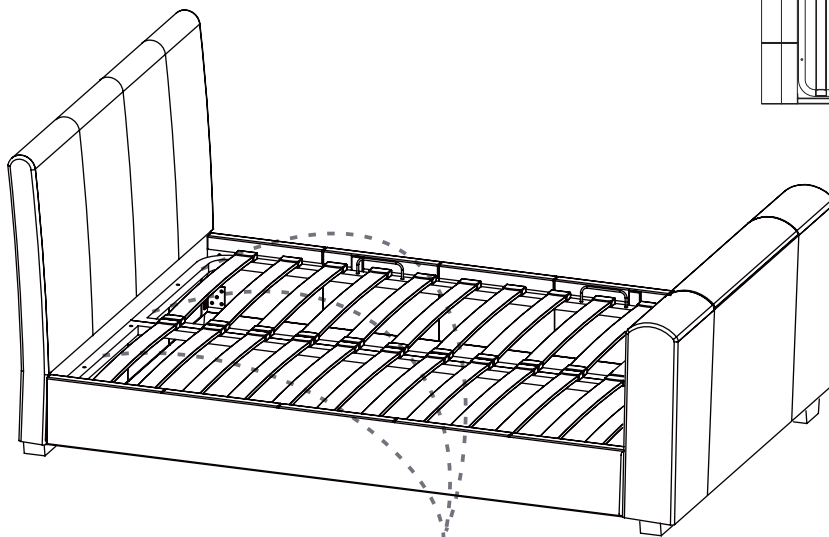
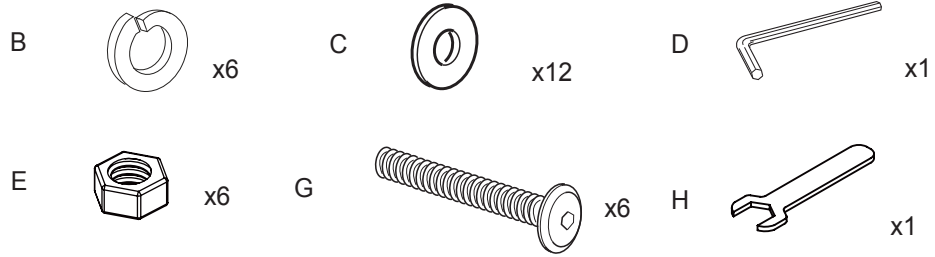
Stage
10

PLEASE NOTE: MAKE SURE THE HOLES FOR MATTRESS STOPPERS ARE ON THE CORRECT SIDE OF THE SLAT-FRAME BEFORE BOLTING TOGETHER.

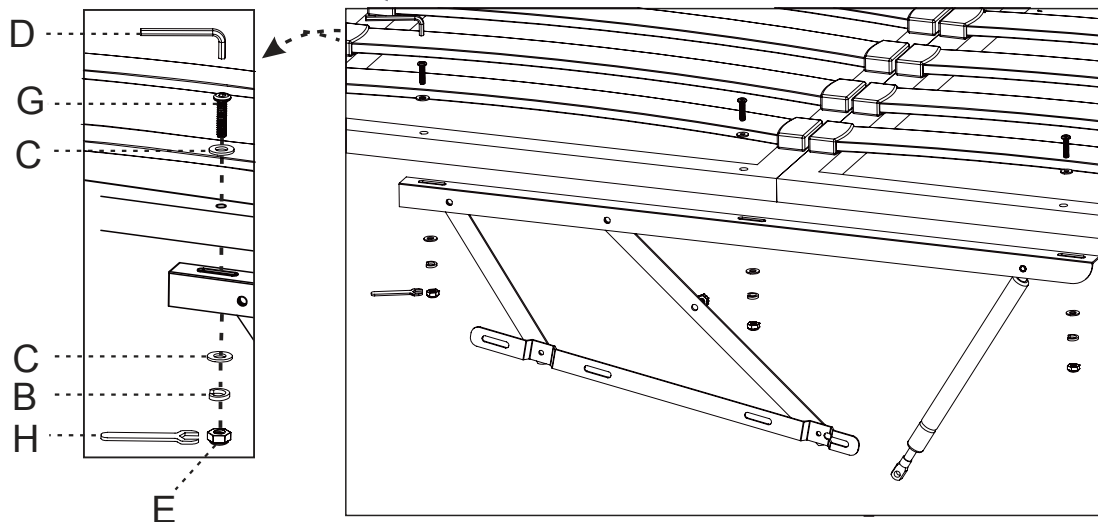


Bed Assembly

Stage
11



PLEASE NOTE: MAKE SURE THERE IS AN **EVEN GAP** ALL ROUND, IN-BETWEEN THE SLAT-FRAME & THE BED.

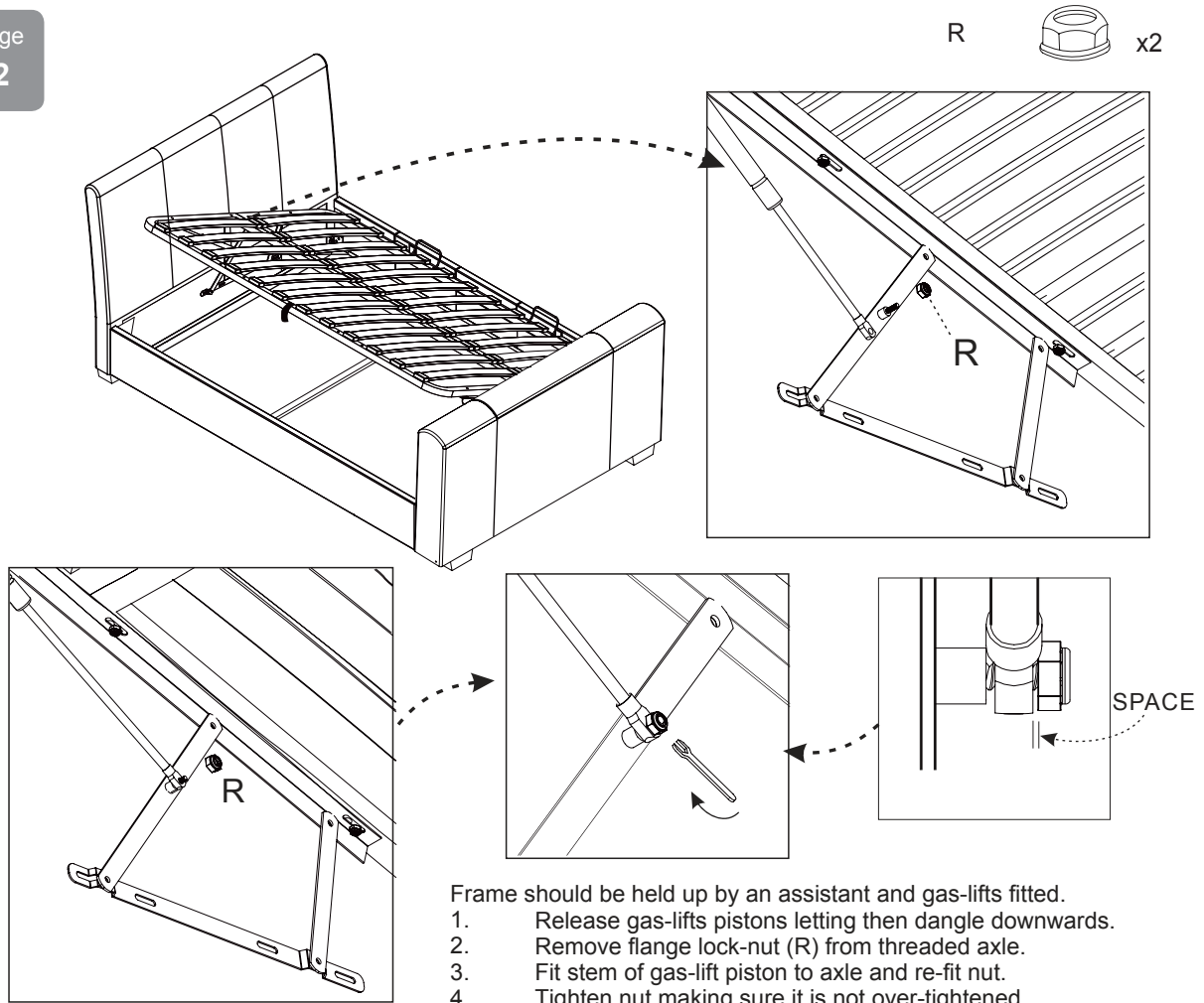


Use fixings (E), (C), (B) & (G)- tighten the bolt by using allen key (D) with spanner (H).
 NOTE: Do not fully tighten all the bolts before confirming the metal frame is in correct position. Frame must be in the centre of bed in length & width. Check frame is not likely to touch either headboard or footboard when lifting or closing. Tie lifting strap to opening side.

Make sure the x3 SETS of bolts are connected as shown.
 Once everything has been assembled, tighten all the bolts 100%.

Bed Assembly

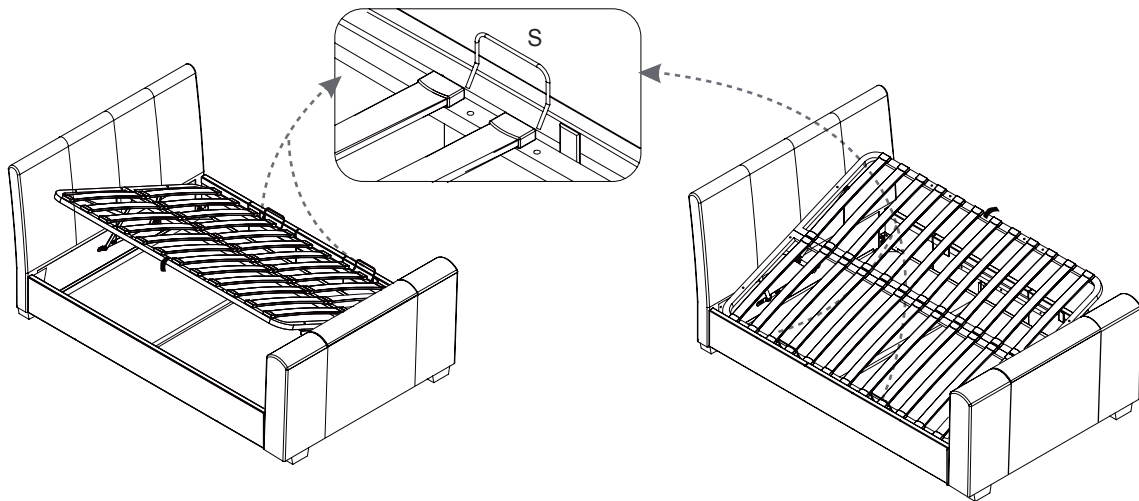
Stage
12



- Frame should be held up by an assistant and gas-lifts fitted.
1. Release gas-lifts pistons letting them dangle downwards.
 2. Remove flange lock-nut (R) from threaded axle.
 3. Fit stem of gas-lift piston to axle and re-fit nut.
 4. Tighten nut making sure it is not over-tightened.
- There is a small gap so stem can move - see diagram above-right.

Stage
13

Push mattress stoppers x2 (S) into slat-frame.



NOTE: Place mattress on slat-frame when frame is down. Lift with strap & close with strap which should always be accessible. Slowly lift frame by the lifting strap taking care to not lean over the bed because if the mattress is thin & light, frame will rise quickly. To close bed, push gently away from lifting strap side and down at the same time. The frame will close, speed of closing depends on weight of mattress so always keep fingers well clear of the metal frame.