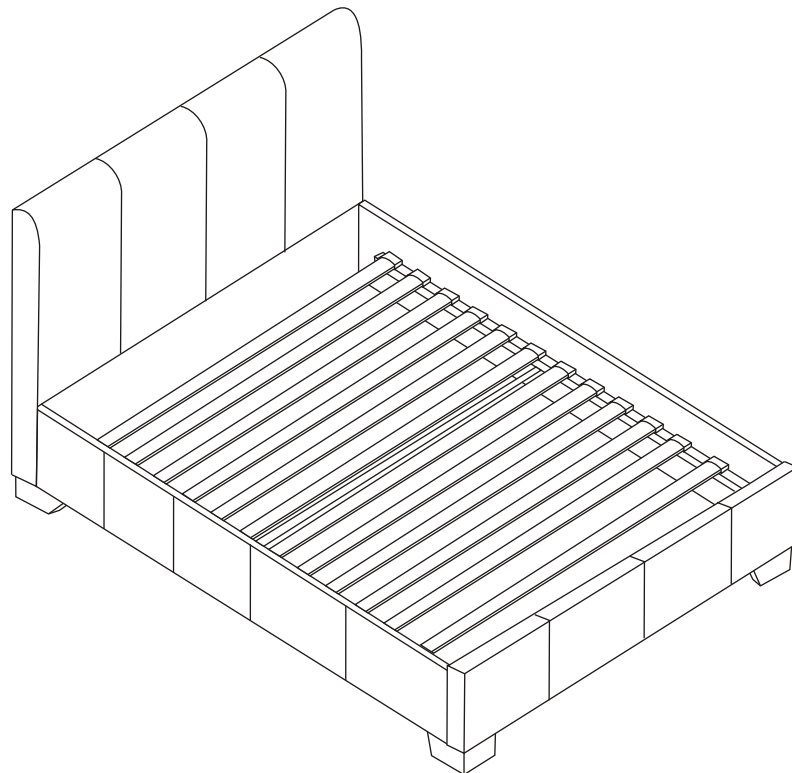


## **ASSEMBLY INSTRUCTION**

### **Important**

**Please inspect all items carefully before assembling.  
If for any reason you need to return this item,  
you must return it in its original packaging.  
Assembled items cannot be returned**

**IMPORTANT NOTE: \*PLACE ALL PARTS ON A CLEAN AND SMOOTH SURFACE  
SUCH AS A RUG OR CARPET TO AVOID THE PARTS  
FROM BEING SCRATCHED.  
\*BEFORE YOU BEGIN KINDLY FOLLOW THE ASSEMBLY  
INSTRUCTIONS STEP BY STEP.**



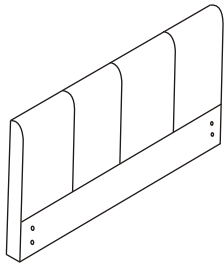
### **3FT PARMA SINGLE BED**

#### **CARE INSTRUCTIONS**

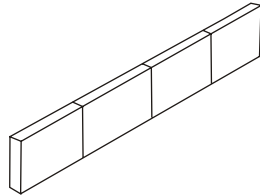
- \* Wipe clean using a soft damp cloth followed by a dry cloth.
- \* Do not use abrasives or cleaning products which may contain ammonia or solvents.
- \* Take care when handling or moving the furniture. Careless handling can damage wooden furniture, try to lift rather than drag.

## Parts list

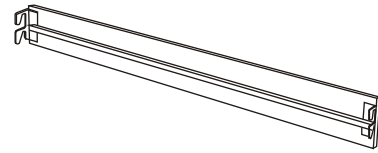
① Headboard 1pc



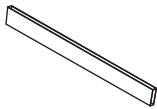
② Footboard 1pc



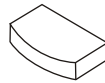
③ Side Rail 2pcs



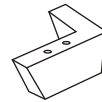
④ Slat 12pcs



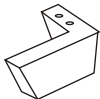
⑤ Single Plastic Cap 24pcs



⑥ Left Leg 2pcs



⑦ Right Leg 2pcs



⑧ Centre Rail 1pc



## Hardware list

A Bolt  
M8\*30mm 8pcs



B Bolt  
M8\*50mm 8pcs



C Spring  
Washer 8pcs



D Flat Washer  
M8 16pcs



E Allen Key  
M5 1pc



F Bolt  
M6\*20mm 2pcs



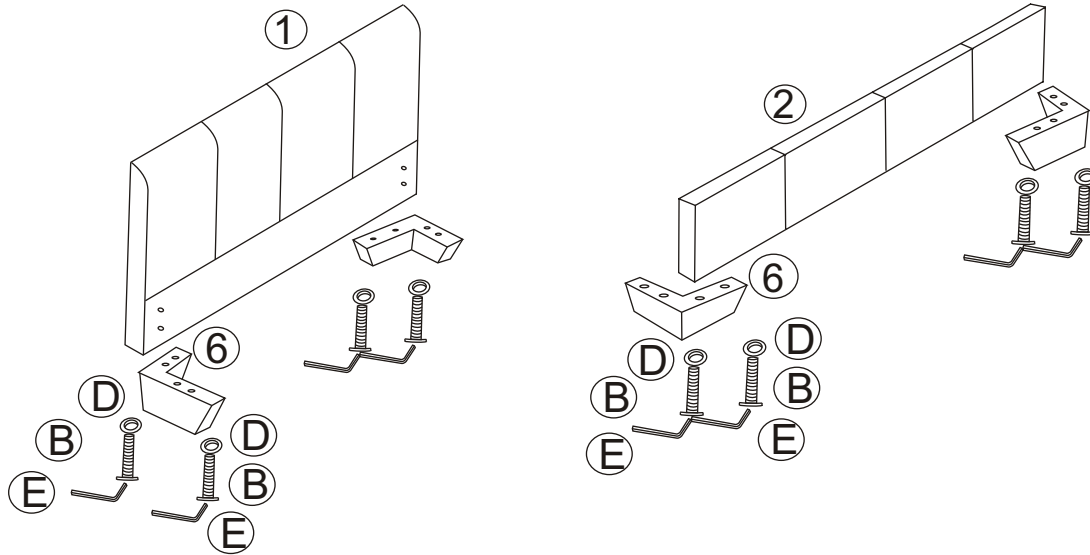
G Allen Key  
M4 1pc



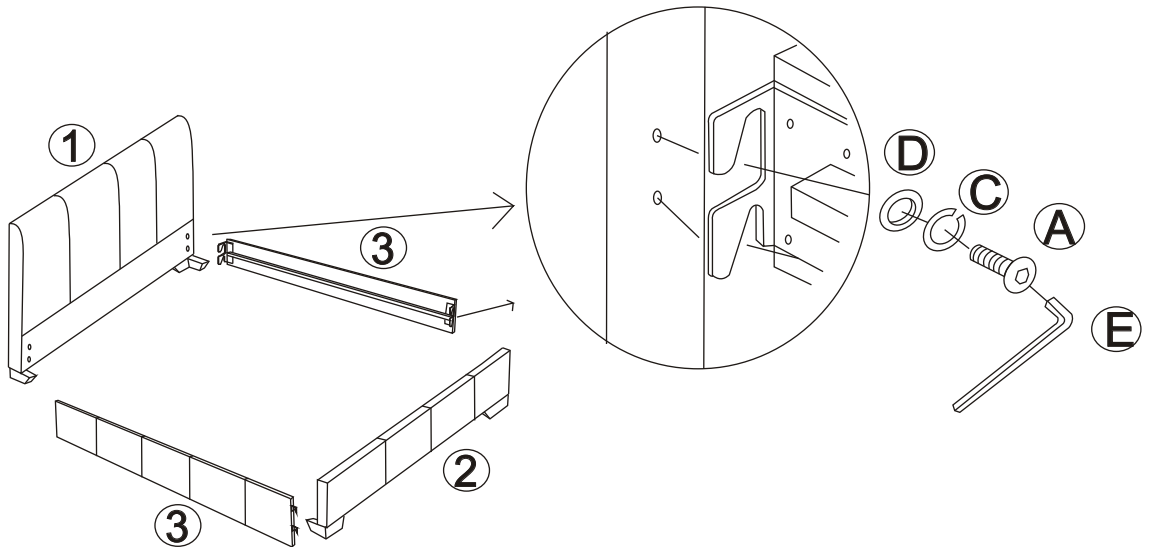
H Flat Washer  
M6 2pcs



STEP 1 FIXING LEGS TO HEADBOARD AND FOOTBOARD.



STEP 2 FIXING SIDE RAILS TO HEADBOARD AND FOOTBOARD.



STEP 3 FIXING PLASTIC CAPS AND SLATS AND CROSS BAR TO SIDE RAILS.

