



# Birlea

Suppliers of inspiration

Vendor: S000013

PO: F03211



## ASSEMBLY INSTRUCTIONS SHELBY 5' BED

**IMPORTANT : READ THESE INSTRUCTIONS CAREFULLY BEFORE ASSEMBLING OR USING YOUR SHELBY 5' BED FRAME**

PLEASE KEEP THESE INSTRUCTIONS FOR FUTURE REFERENCE.

### **HEALTH & SAFETY:**

DO NOT jump on this bed frame.

DO NOT use this bed frame if any parts are missing, damaged or worn.

DO NOT use this bed frame unless all fixings are secured.

Please keep small parts out of reach of children.

Always use on a level, even surface.

**WARNING :** If this bed is placed on a non- carpeted floor you must place some protection under all legs to stop the bed frame from moving. if this is not adhered to there is no guarantee if the bed frame collapses.

### **CARE & MAINTENANCE:**

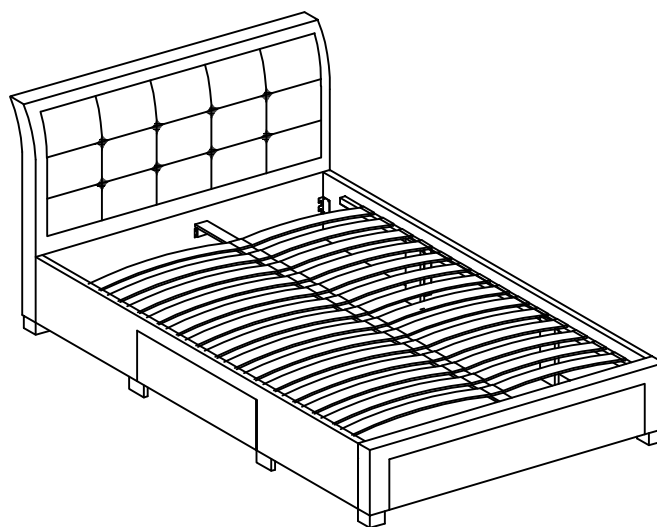
Assembly in the room use.

Periodically check all screw & fixings to ensure they are secure.

DO NOT push the bed frame as this will damage the legs.

Always lift the bed with two people to reposition.

Keep any sharp objects away from the frame.



# Birlea

Suppliers of inspiration

[www.birlea.com](http://www.birlea.com)

Page 1 of 7



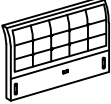










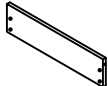

# Birlea

Suppliers of inspiration

Vendor: S000013



## Parts List

Parts	Description	Box	Qty
1	Headend 	1	1
2	Footend 	2	1
3	Side Rail 	2	2
4	Slat 	2	28
5	Middle Holder 	2	14
6	End Holder 	2	28
7	Centre Rail 	2	1
8	Support Leg 	2	2
9	Leg 	2	4
10	Footend Front Panel 	2	1
11	Footend Back Panel 	3	2
12	Footend & Side Rail Side Panel 	3	6
13	Footend Bottom Panel 	3	1



# Birlea




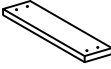
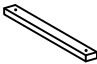

Suppliers of inspiration

[www.birlea.com](http://www.birlea.com)

Page 2 of 7




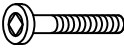

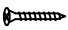
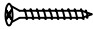
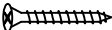
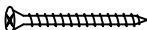


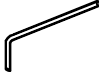

## Parts List

Parts	Description	Box	Qty
14	Side Rail Front Panel 	2	2
15	Side Rail Back Panel 	3	2
16	Side Rail Bottom Panel 	3	2
17	Bottom Panel Big Support 	3	7
18	Bottom Panel Small Support 	3	4
19	Side Rail Support 	3	4





### Hardware List ( Found in box 2)

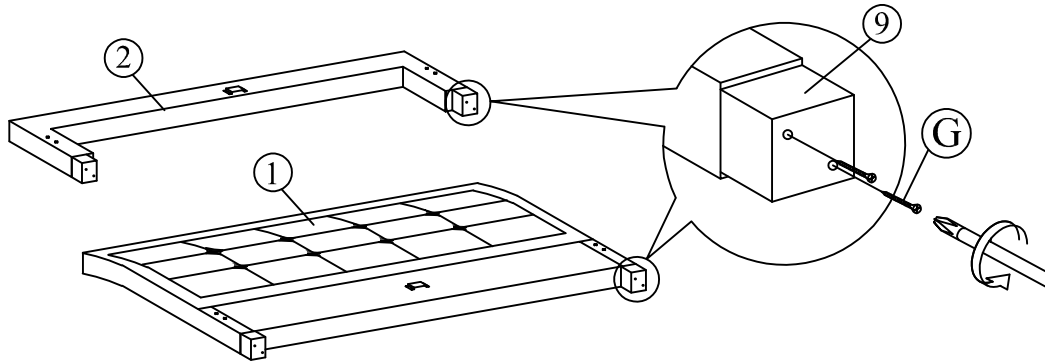
Parts	Description	Box	Qty
A	Plastic Dowel ( 8 x 25 ) 	2	8
B	M6 x 40 mm JCBC 	2	2
C	Adjuster 	2	2
D	M3.5 x 16 mm CSK 	2	56
E	M4 x 25mm CSK 	2	8
F	M4 x 32 mm CSK 	2	36
G	M4 x 50 mm CSK 	2	32
H	Roller 	2	14
I	Power Nail 6/8 	2	24
J	Allen Key 65 mm 	2	1
K	Allen Key 70 mm 	2	1





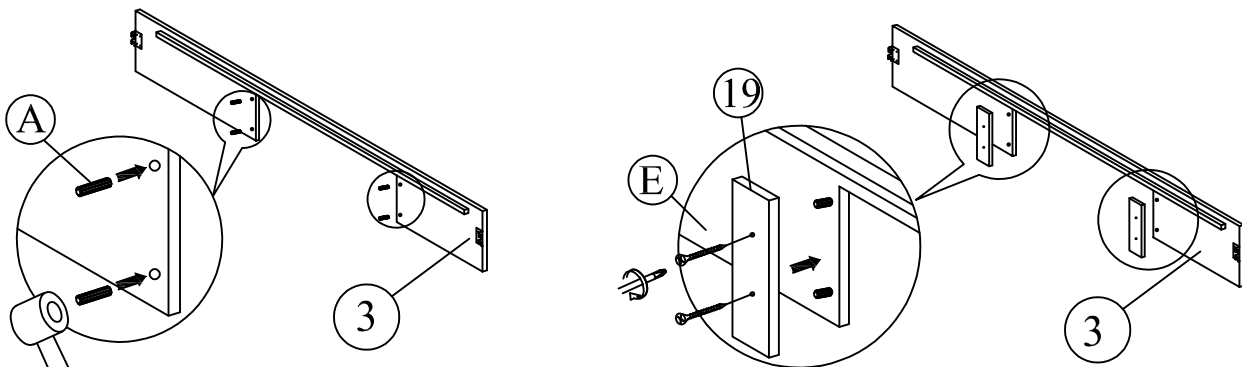
Step 1 : Tighten the legs (9) to both headend (1) and footend (2) as shown.

**DO NOT use any power tools as this may damage the frame and will invalidate any claim.**



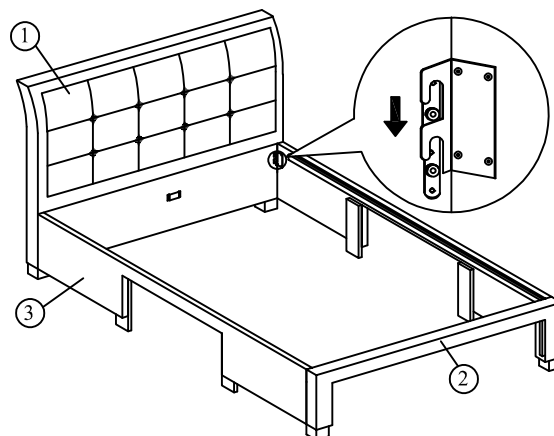
Step 2 : Attach plastic dowel (A) to side rail (3). Tighten the side rail support (19) to the side rail (3) with screws (E) using screw driver (not included) .

**DO NOT use any power tools as this may damage the frame and will invalidate any claim.**



Step 3: Attach side rail (3) to headend (1) and footend (2) by pushing the bracket down to fit it.

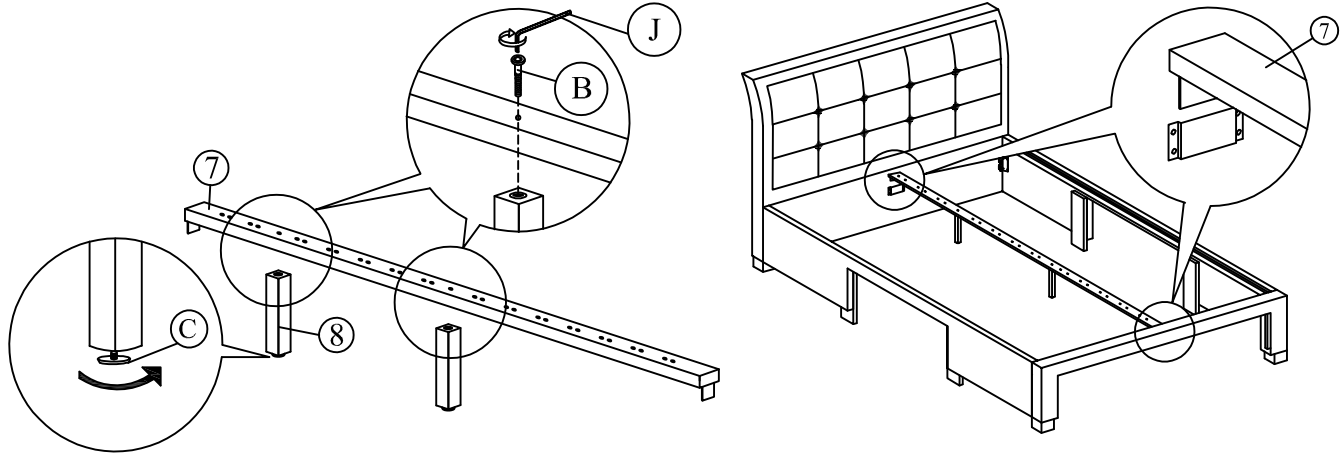
**DO NOT use any power tools as this may damage the frame and will invalidate any claim.**





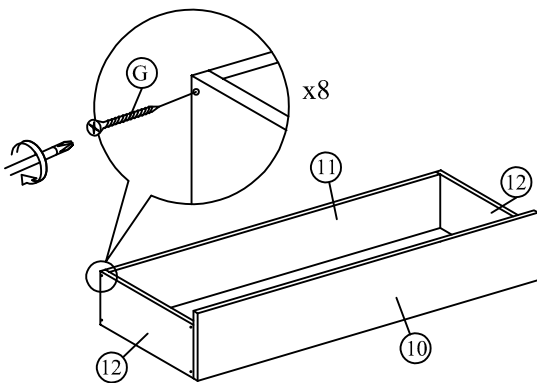
Step 4 : Attach the support legs (8) to the center rail (7) using screw (B) and allen key (J) as shown. Slide the center rail (7) to the headend (1) and footend (2).

**DO NOT use any power tools as this may damage the frame and will invalidate any claim.**



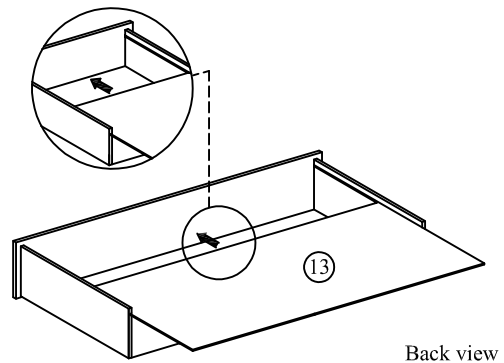
Step 5 : Tighten the footend side panel (12) to the footend front panel (10) and footend back panel (11) with screws (G) using screw driver (not included).

**DO NOT use any power tools as this may damage the frame and will invalidate any claim.**



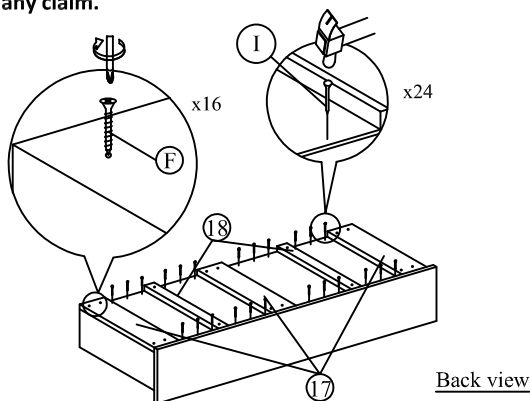
Step 6 : Slide the footend bottom panel (13) to the set up drawer.

**DO NOT use any power tools as this may damage the frame and will invalidate any claim.**



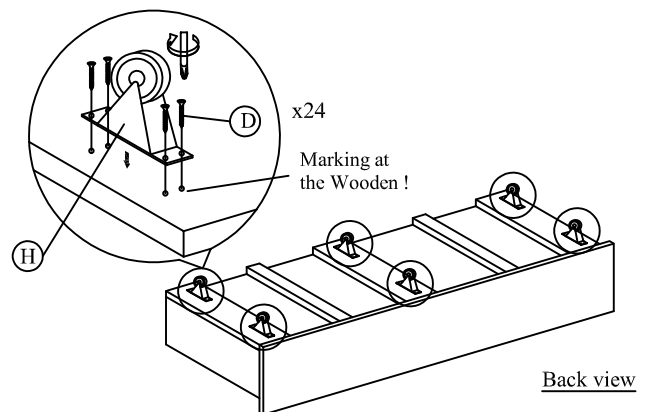
Step 7 : Tighten the bottom panel support (17&18) with screws (F) using screw driver (not included). Attach the bottom panel with Nail (I) using the hammer (not included).

**DO NOT use any power tools as this may damage the frame and will invalidate any claim.**



Step 8 : Tighten the roller (H) with screws (D) using screw driver (not included).

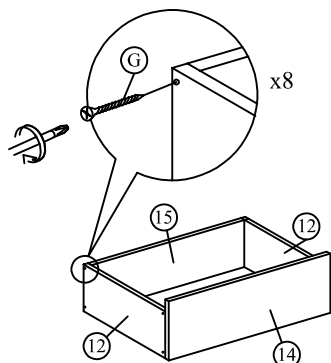
**DO NOT use any power tools as this may damage the frame and will invalidate any claim.**





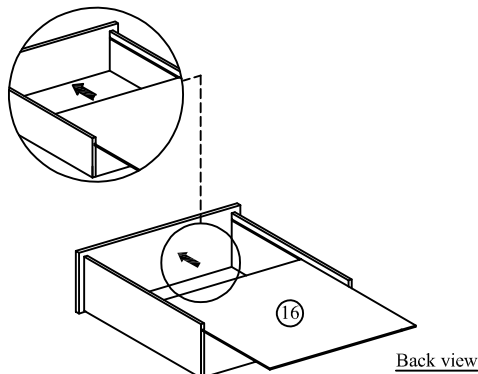
Step 9 : Tighten the side rail side panel (12) to the side rail front panel (14) and side rail back panel (15) with screws (G) using screwdriver (not included).

**DO NOT use any power tools as this may damage the frame and will invalidate any claim.**



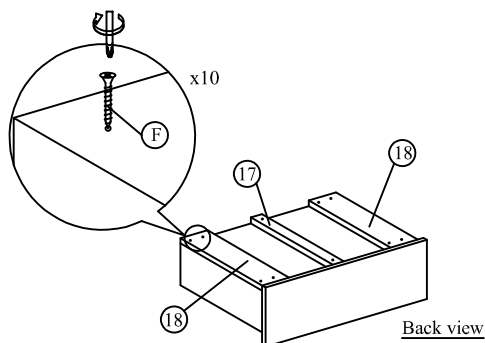
Step 10 : Slide the side rail bottom panel (16) to the set up drawer.

**DO NOT use any power tools as this may damage the frame and will invalidate any claim.**



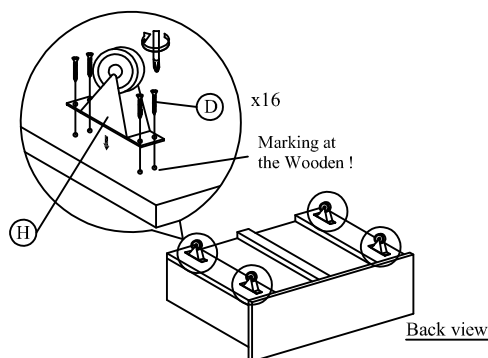
Step 11 : Tighten the bottom panel support (17&18) with screws (F) using screw driver (not included).

**DO NOT use any power tools as this may damage the frame and will invalidate any claim.**



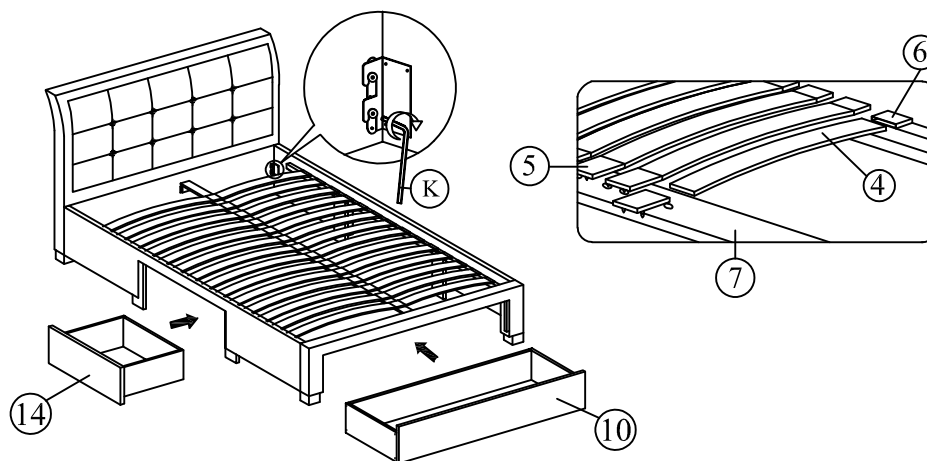
Step 12 : Tighten the roller (H) with screws (D) using screw driver (not included).

**DO NOT use any power tools as this may damage the frame and will invalidate any claim.**



Step 13 : Affix the Slat (4) to the side rail support wood and the center rail (7). Tighten all the 4 corner with allen key (K).

**DO NOT use any power tools as this may damage the frame and will invalidate any claim.**



### Additional Information:

- For complete product information, images and dimension diagrams please visit the website [www.birlea.com](http://www.birlea.com)
- If you have any issues with your item please contact the retailer directly you purchased it from who will be able to resolve any issues with Birlea.
- Why don't you send us photos of your assembled furniture to [info@birlea.com](mailto:info@birlea.com) to be shared in our #birleahome feature on Instagram.

