

ASSEMBLY INSTRUCTIONS

CASTELLO OTTOMAN 6' BED

IMPORTANT: READ THESE INSTRUCTIONS CAREFULLY BEFORE ASSEMBLING OR USING YOUR CASTELLO OTTOMAN 6' BED FRAME.

PLEASE KEEP THESE INSTRUCTIONS FOR FUTURE REFERENCE.

HEALTH & SAFETY:

DO NOT jump on this bed frame.

DO NOT use this bed frame if any parts are missing, damaged or worn.

DO NOT use this bed frame unless all fixings are secured.

Please keep small parts out of reach of children.

Always use on a level, even surface.

WARNING: If this bed is placed on a non-carpeted floor you must place some protection under all legs to stop the bed frame from moving. If this is not adhered to there is no guarantee if the bed frame collapses.

WARNING: Take care when assembling the base, assemble the ottoman as closed to its final position. The Ottoman has a powerful mechanism and after assembly should only be opened when the mattress is in place.

Attention: The side ottoman can open from either left or right side. This depends on which way the pump mounting bracket and bracket base is attached to the headboard and footend (the pump mounting bracket and bracket base can be reversed to another side).

CARE & MAINTENANCE:

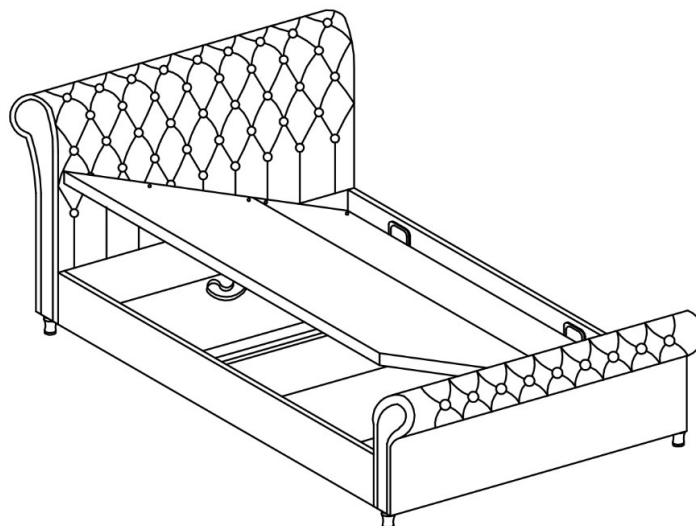
Assemble in the room of use.

Periodically check all screws & fixings to ensure they are secure.


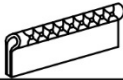











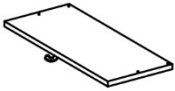

DO NOT push the bed frame as this will damage the legs.

Always lift the bed with two people to reposition.

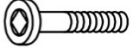
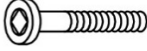
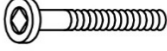





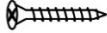



Keep any sharp objects away from the frame.



Parts List

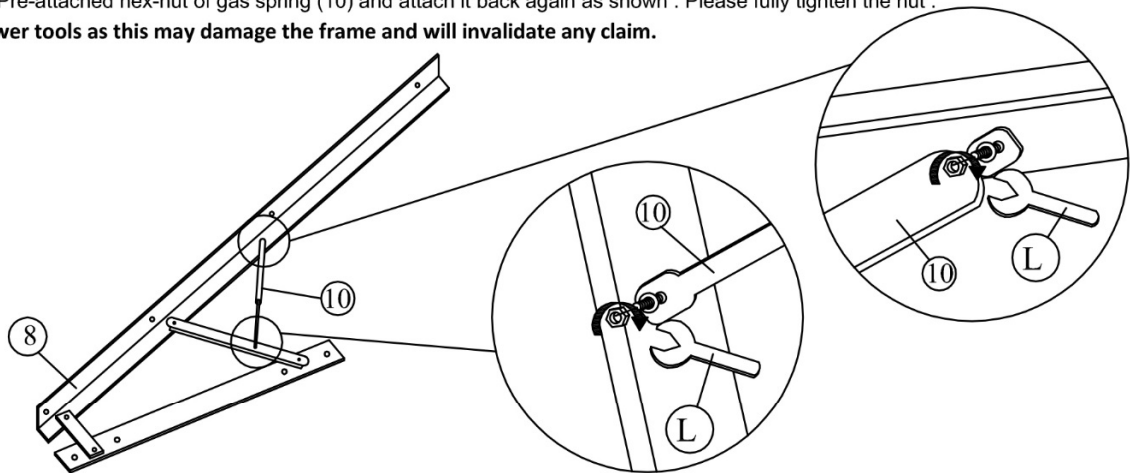
Parts	Description	Box	Qty
1	Headend 	1	1
2	Footend 	2	1
3	Side Rail 	3	2
4	Legs 	3	4
5	Metal Centre Rail 	3	1
6	Wooden Centre Rail 	3	2
7	Support Leg 	3	6
8	Pump Mounting Bracket 	3	2
9	Bracket Base 	3	2
10	Gas Spring 	3	2
11	Wooden Frame Bracket 	3	2
12	Bed Stopper 	3	2
13	Wooden Frame 	4	1
14	Wooden Frame 	4	1
15	Bottom Panel 	5	4

Hardware List (Found in box 3)

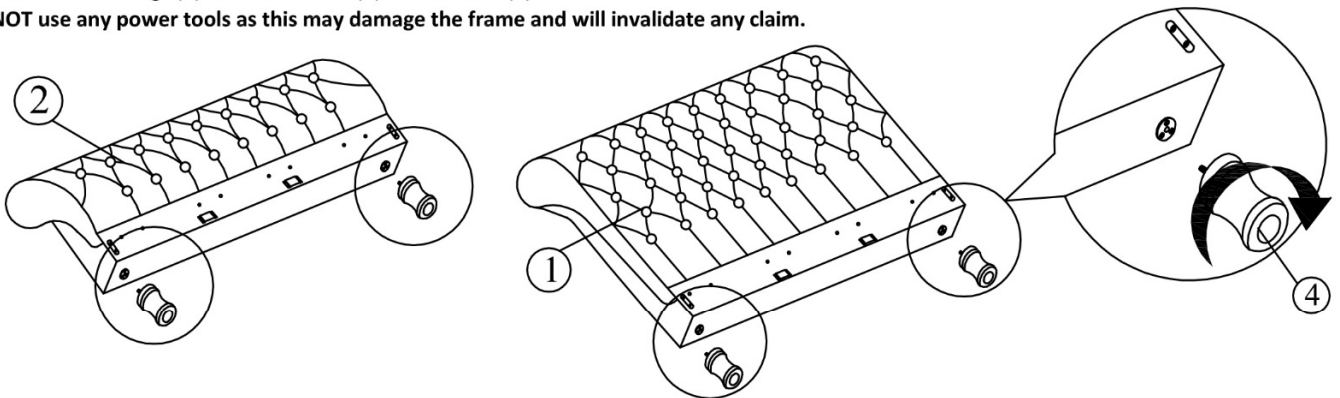
Parts	Description	Box	Qty
A	M6 x 20 mm JCBC 	3	4
B	M6 x 40 mm JCBC 	3	14
C	M8 x 60 mm JCBC 	3	8
D	M6 Spring Washer 	3	12
E	M6 Flat Washer 	3	12
F	M8 Spring Washer 	3	16
G	M8 Flat Washer 	3	16
H	M8 Hex Nut 	3	8
I	M4 x 25 mm CSK 	3	26
J	Allen Key M4 x 65 mm 	3	1
K	Allen Key M5 x 70 mm 	3	1
L	M8 Spanner 	3	1

***You will need a screwdriver (not provided)**

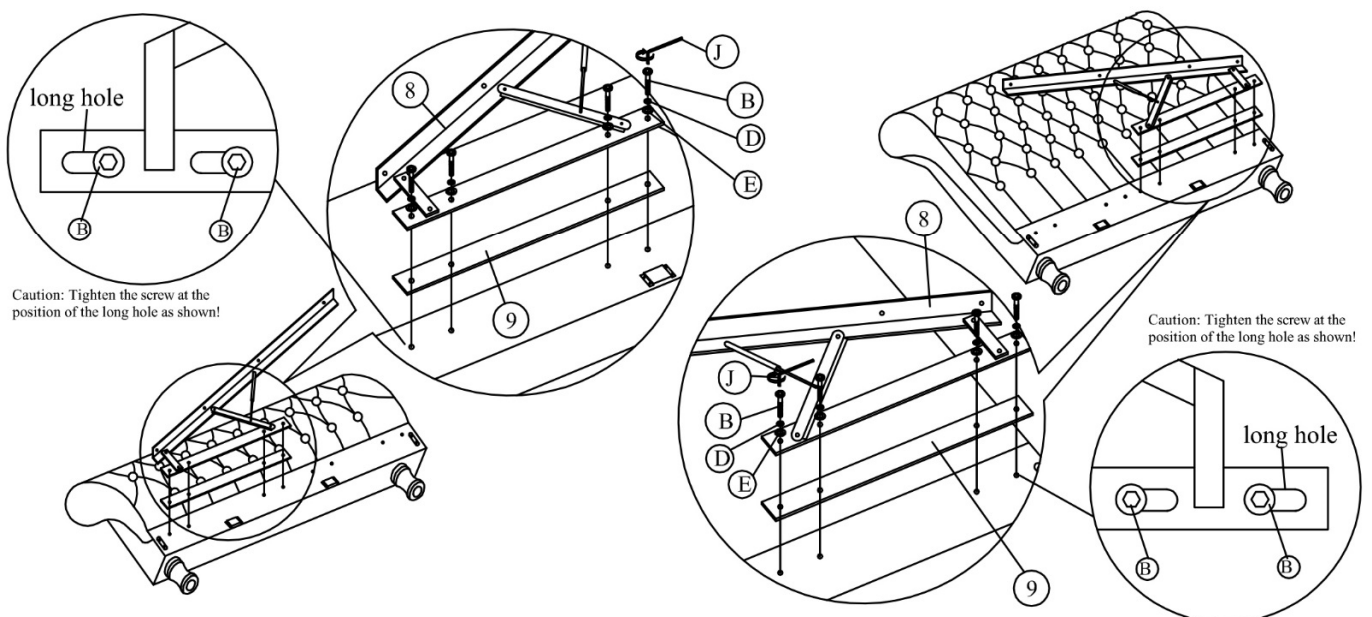
Step 1: Unscrew the Pre-attached hex-nut of gas spring (10) and attach it back again as shown . Please fully tighten the nut .
DO NOT use any power tools as this may damage the frame and will invalidate any claim.



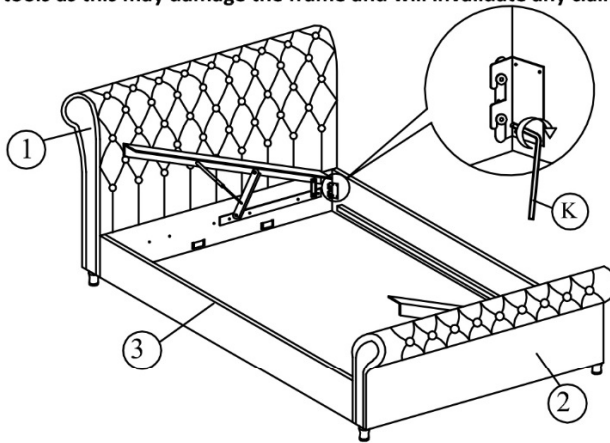
Step 2: Attach the legs (4) to the headend (1) and footend (2).
DO NOT use any power tools as this may damage the frame and will invalidate any claim.



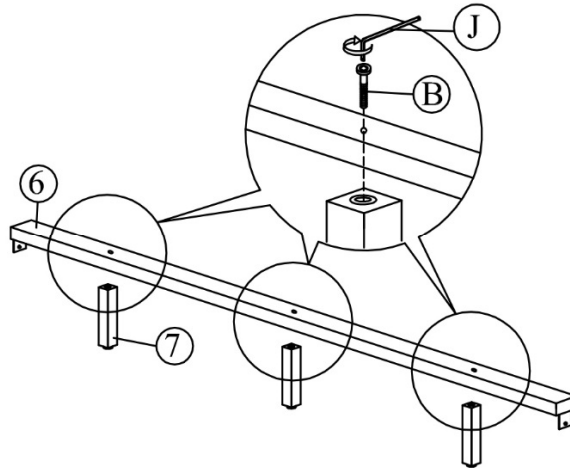
Step 3: Attach the pump mounting bracket (8) and bracket base (9) to the headend (1) and footend (2) using hardware parts B, D, E and J.
DO NOT use any power tools as this may damage the frame and will invalidate any claim.



Step 4: Attach the side rails (3) by pushing the brackets down into place and secure the bolts using hardware part K as shown .
DO NOT use any power tools as this may damage the frame and will invalidate any claim.

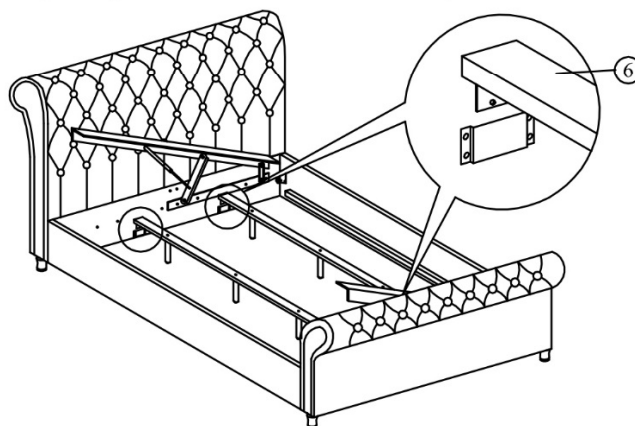


Step 5: Attach the support legs (7) to the centre rail (6) using hardware parts B and J.
DO NOT use any power tools as this may damage the frame and will invalidate any claim.



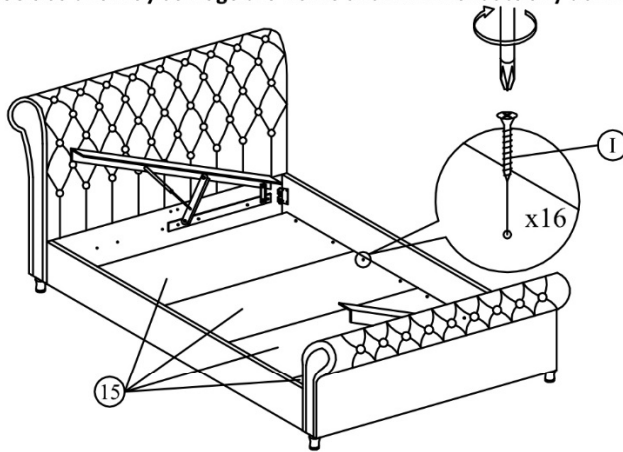
Step 6: Insert the centre rail (6) to the headend (1) and footend (2) .

DO NOT use any power tools as this may damage the frame and will invalidate any claim.



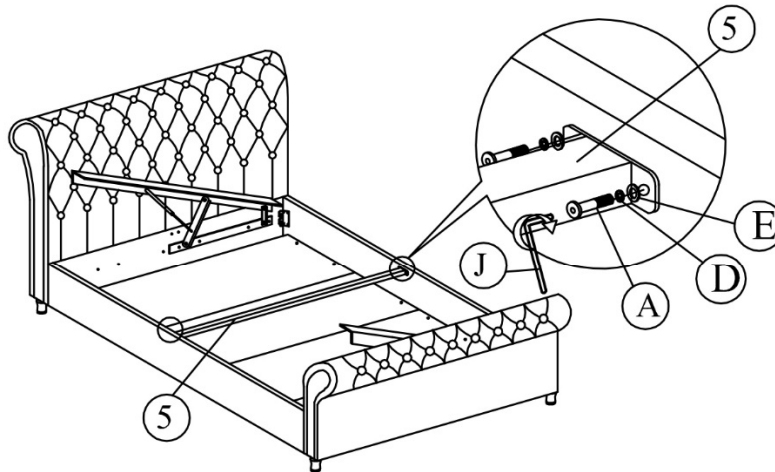
Step 7: Insert the bottom panel (15) to the below frame and secure using hardware part I and a screwdriver (not provided) .

DO NOT use any power tools as this may damage the frame and will invalidate any claim.



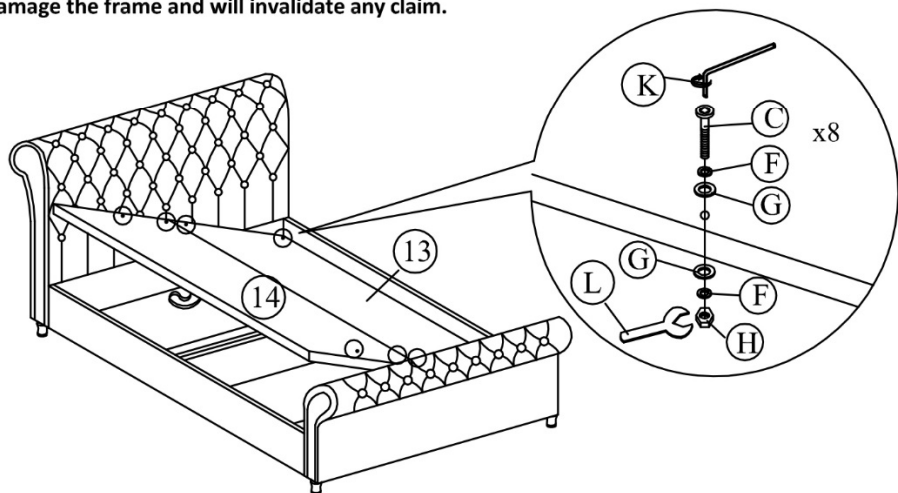
Step 8: Insert the centre rail (5) to the side rail (3) and secure using hardware part A , D , E and J.

DO NOT use any power tools as this may damage the frame and will invalidate any claim.



Step 9: Assembly the small wooden frame (13) and big wooden frame (14) to the bracket and tighten all the fitting accordingly .

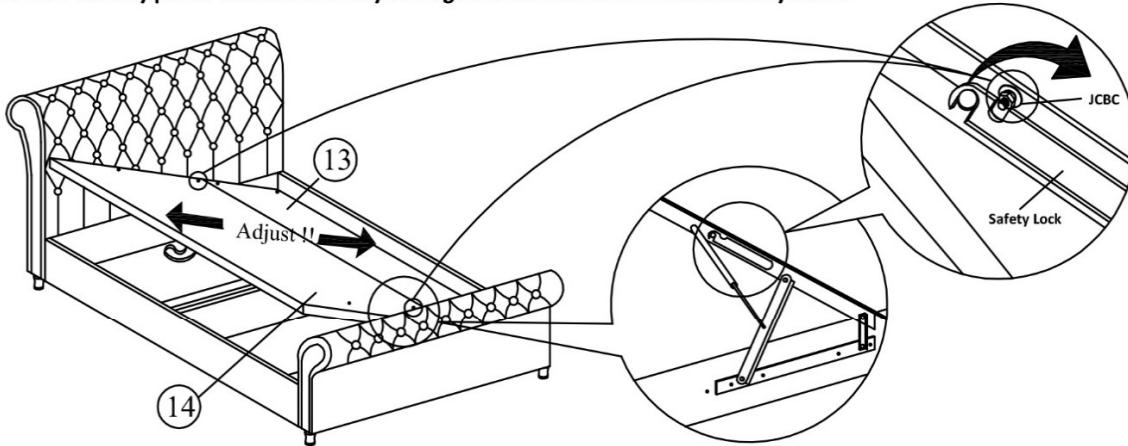
DO NOT use any power tools as this may damage the frame and will invalidate any claim.



WARNING: Take care when assembling the base, assemble the ottoman as closed to its final position. The Ottoman has a powerful mechanism and after assembly should only be opened when the mattress is in place.

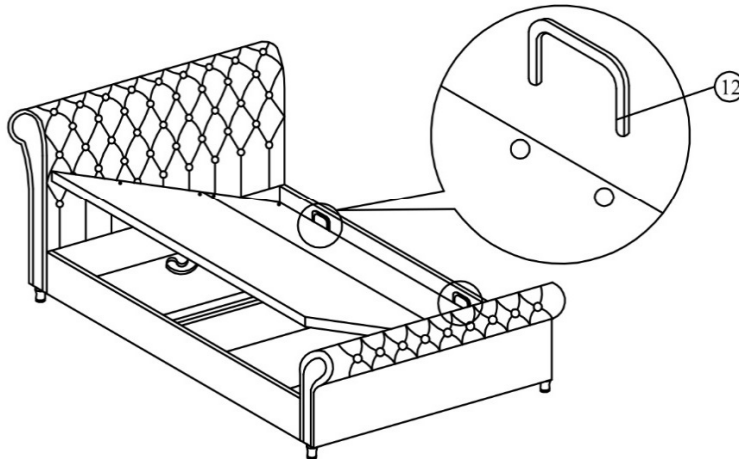
CAUTION : FOR STEP 9

Step 9: Please adjust the upper frame make sure can take out the safety lock then just tighten the screws.
DO NOT use any power tools as this may damage the frame and will invalidate any claim.



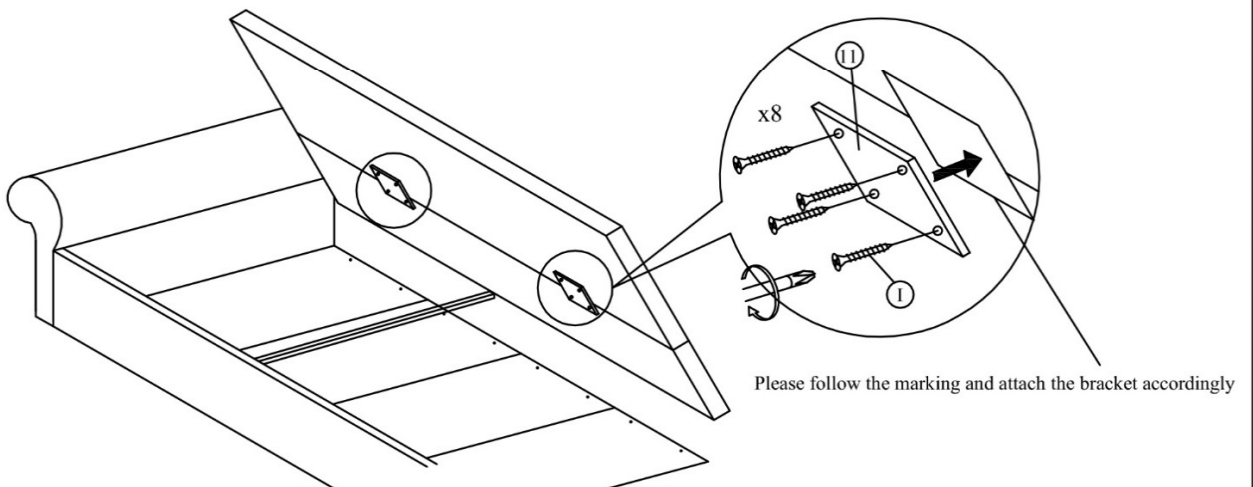
Step 10: Insert the bed stopper (12) to the wooden frame as shown.

DO NOT use any power tools as this may damage the frame and will invalidate any claim.



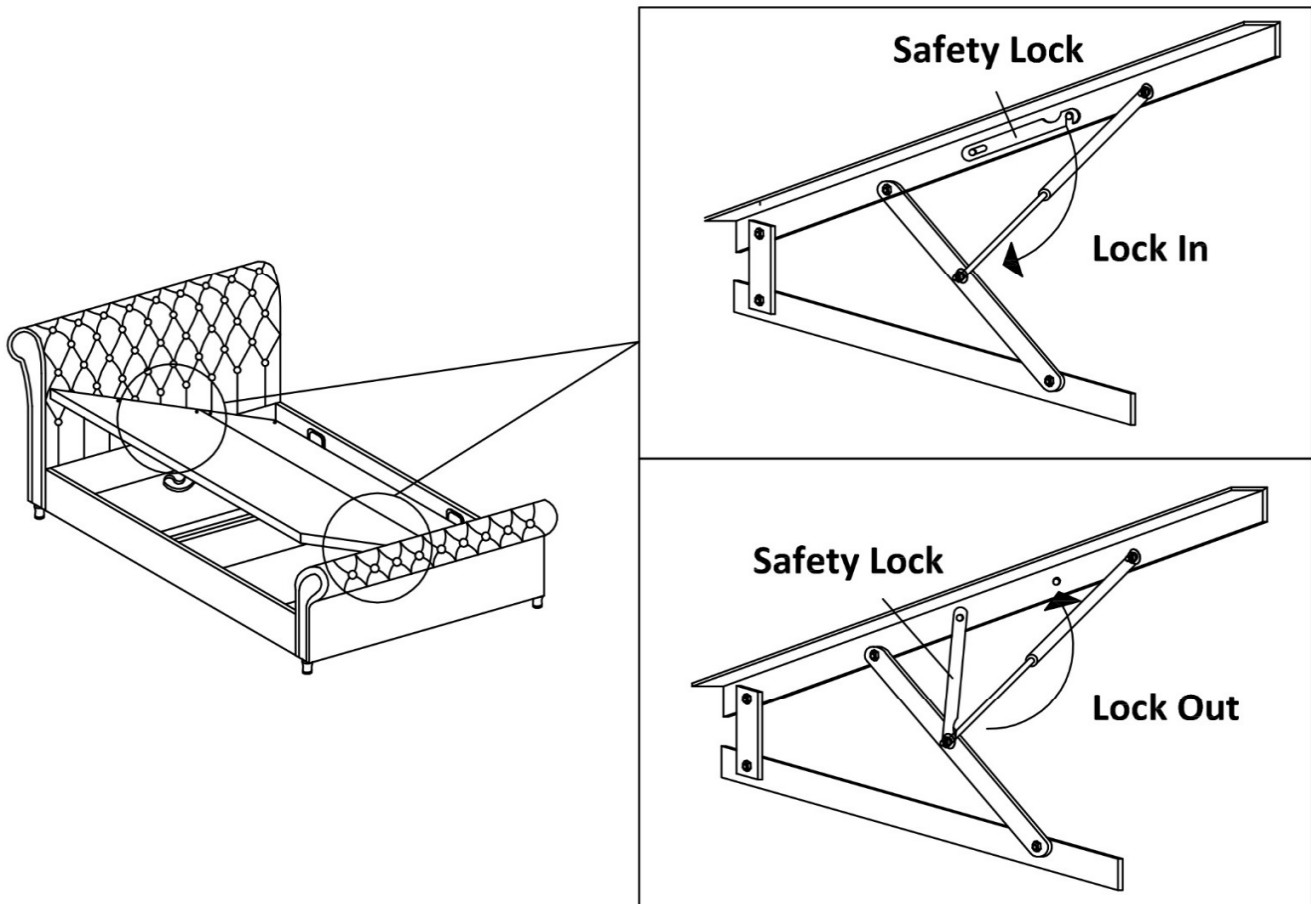
Step 11: Attach the wooden frame bracket (11) to the wooden frame using hardware parts I and a screwdriver (not provided).

DO NOT use any power tools as this may damage the frame and will invalidate any claim.



Step 12: Please use the safety lock for safety purpose.

DO NOT use any power tools as this may damage the frame and will invalidate any claim.



Additional Information:

- For complete product information, images and dimension diagrams please visit the website www.birlea.com
- If you have any issues with your item please contact the retailer directly you purchased it from who will be able to resolve any issues with Birlea.
- Why don't you send us photos of your assembled furniture to info@birlea.com to be shared in our #birleahome feature on Instagram.