



Birlea

Suppliers of inspiration

Vendor: S000350



ASSEMBLY INSTRUCTIONS **URBAN 2 DRAWER BEDSIDE**

IMPORTANT : READ THESE INSTRUCTIONS CAREFULLY BEFORE ATTEMPTING TO ASSEMBLE OR USE YOUR URBAN 2 DRAWER BEDSIDE.

PLEASE KEEP THESE INSTRUCTIONS FOR FUTURE REFERENCE.

ASSEMBLY:

Assembly should be carried out with this item laying flat, not standing upright.

Assemble on a soft, clean surface to prevent damages.

To erase the numbers printed on the pieces, use the rubber into the accessories pack.

HEALTH & SAFETY:

DO NOT use this bedside if any parts are missing, damaged or worn.

DO NOT use this bedside unless all fixings are secured.

Always use on a level, even surface.

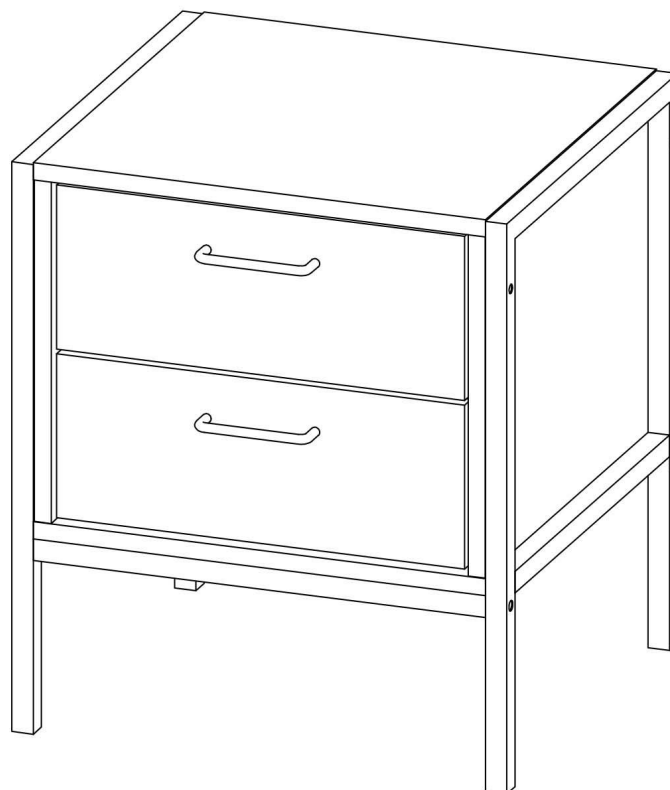
CARE & MAINTENANCE:

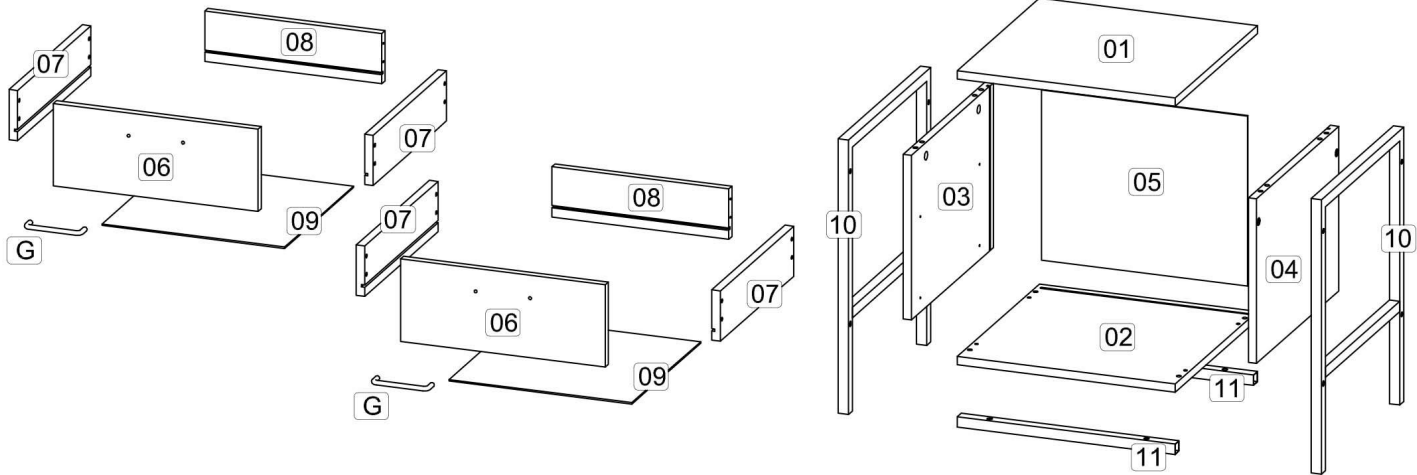
Periodically check all screws & fixings to ensure they are secure.

DO NOT push the bedside as this will cause damage.

Always lift the bedside with two people to repositions.

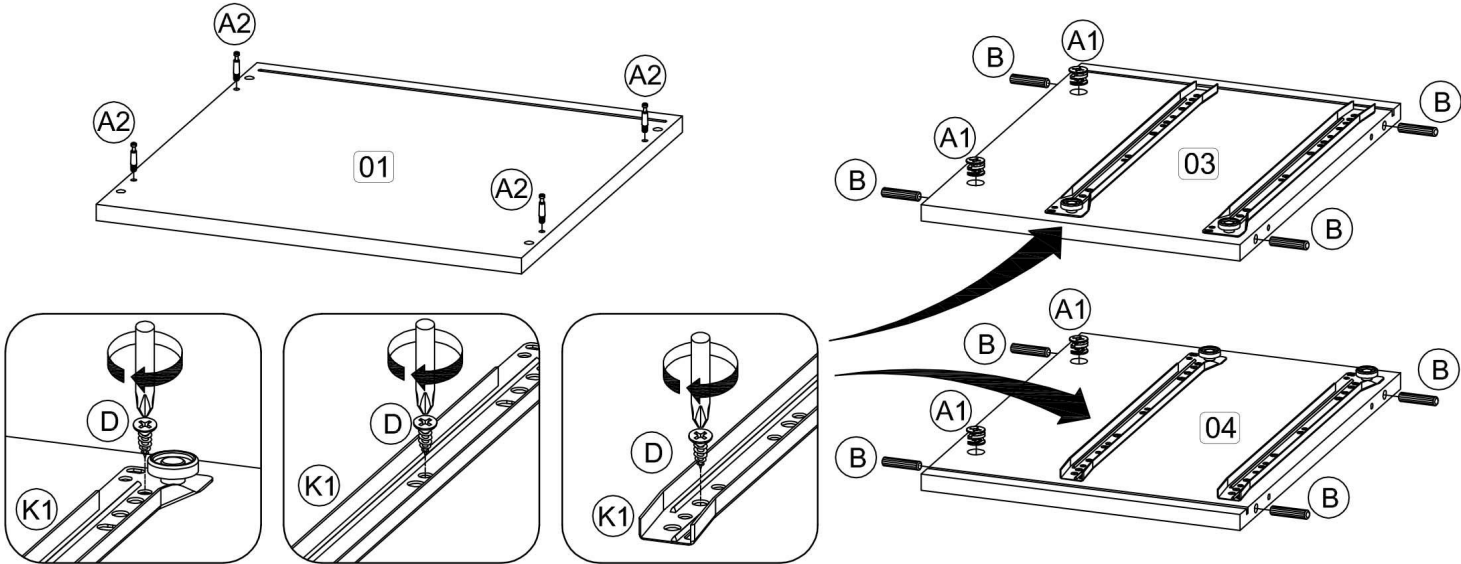
Keep any sharp objects away from the bedside.



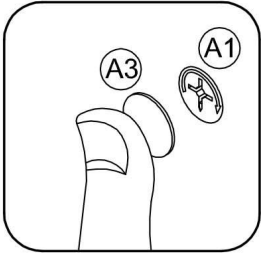
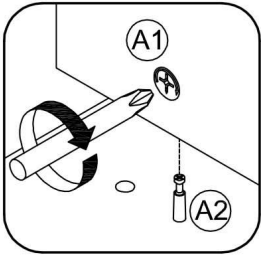
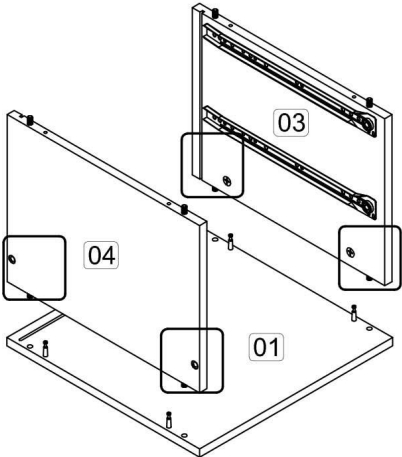


Parts List			Hardware List		
Part	Description	Qty	Part	Description	Qty
01	Top panel	1	A1	Cam lock	4
02	Bottom panel	1	A2	Minifix screw	4
03	Side panel (Left)	1	A3	Plastic cap	4
04	Side panel (Right)	1	B	M8 x 30mm Wood Dowel	8
05	Back panel	1	C	M6 x 50mm CSK Cap Wood screw	4
06	Drawer front	2	D	M3.5 x 16mm C.B Screw	24
07	Drawer side	4	E	M4 x 38mm C.B Screw	16
08	Drawer back	2	F	Allen key M4	1
09	Drawer bottom	2	G	Handle 100.96. BLM	2
10	Metal Side (Left & Right)	2	H	Handle screw M4 x 19mm	4
11	Metal middle	2	I	JCBC screw M6 x 30mm	8
** You will need a small mallet and a screwdriver for assembly. ** Some screws and wooden dowel may remain.			J	JCBC screw M6 x 40mm	4
			K1	14" Drawer slide (Left / Right)	4
			K2	14" Drawer slide (Left / Right)	4

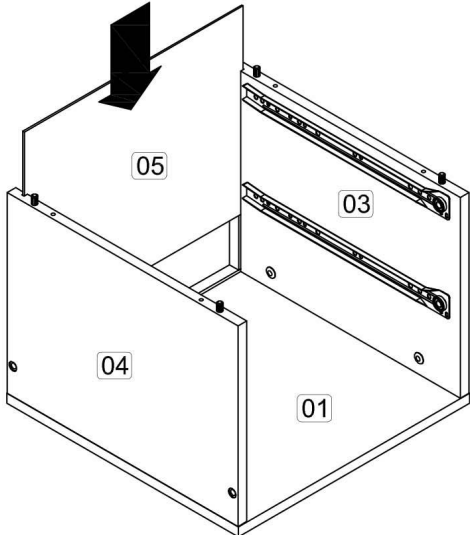
Step 1: Prepare these parts for assembly using hardware parts A1, A2, B, D and K1.
DO NOT use any power tools as this may damage the frame and will invalidate any claim.



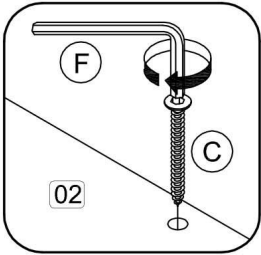
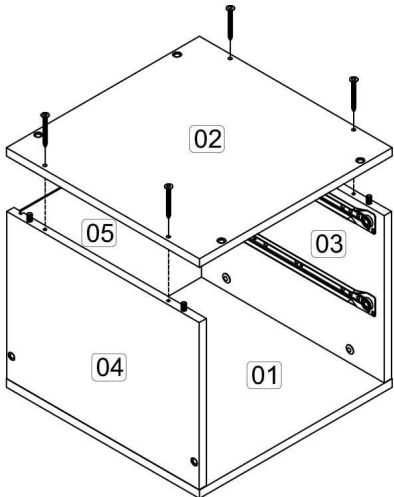
Step 2: Attach the panel (3) and (4) to panel (1) using hardware A1 and A3 with a screwdriver (not provided).
DO NOT use any power tools as this may damage the frame and will invalidate any claim.



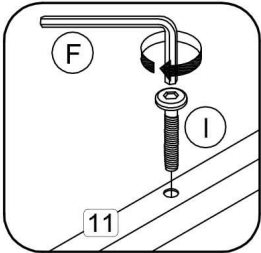
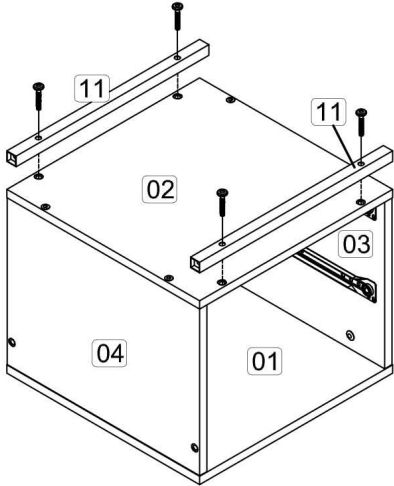
Step 3: Insert the panel (5) along the slot.
DO NOT use any power tools as this may damage the frame and will invalidate any claim.



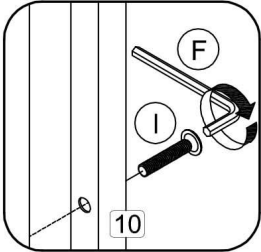
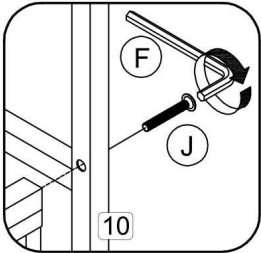
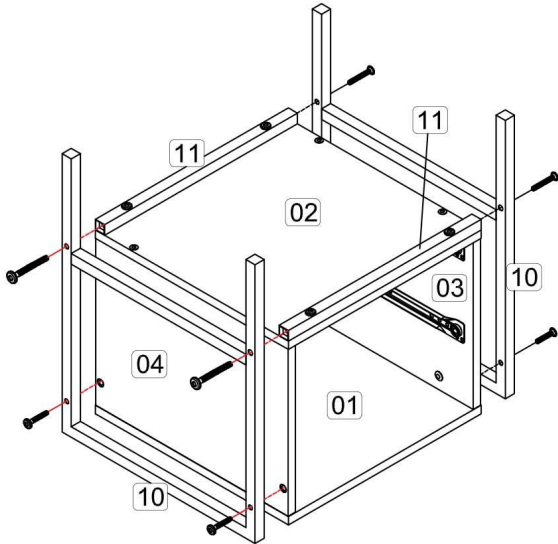
Step 4: Attach the panel (2) to panel (3) and (4) using hardware C and F.
DO NOT use any power tools as this may damage the frame and will invalidate any claim.



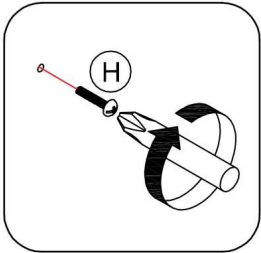
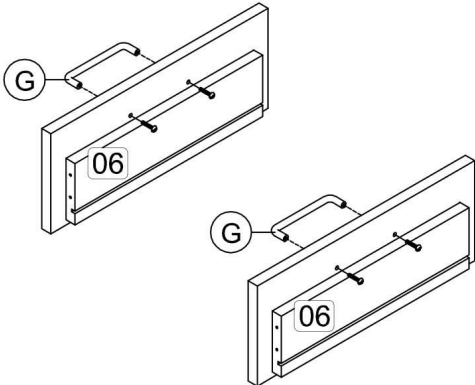
Step 5: Attach the Metal Middle (11) to panel (2) using hardware I and F.
DO NOT use any power tools as this may damage the frame and will invalidate any claim.



Step 6: Attach the Metal Side (10) to panel (3) and (4) using hardware I and F.
Attach the Metal Side (10) to Metal Middle (11) using hardware J and F.
DO NOT use any power tools as this may damage the frame and will invalidate any claim.



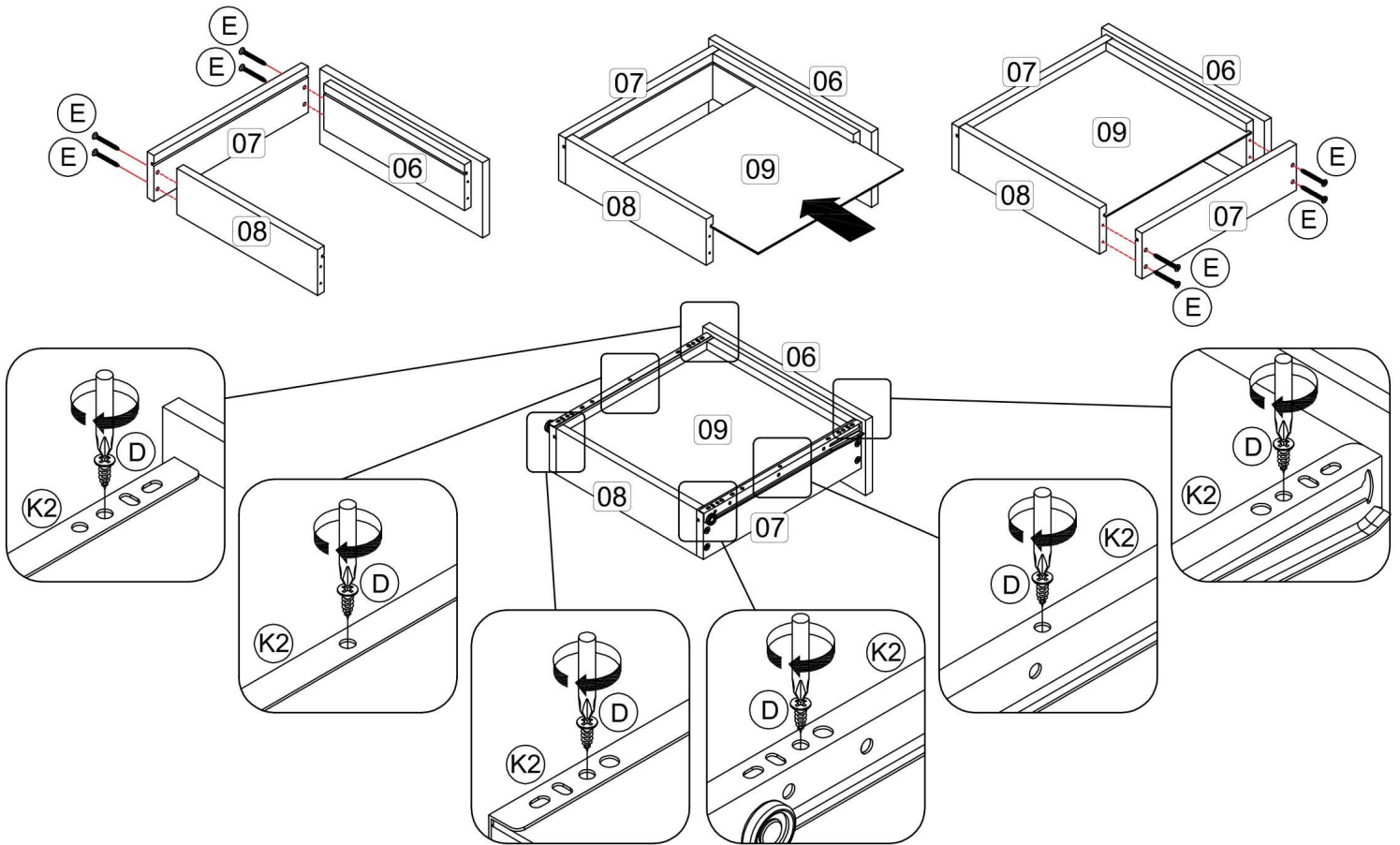
Step 7: Fix hardware G onto panel (6) using hardware H with a screwdriver (not provided).
DO NOT use any power tools as this may damage the frame and will invalidate any claim.



Step 8: Assemble the drawer components using hardware D, E and K2.

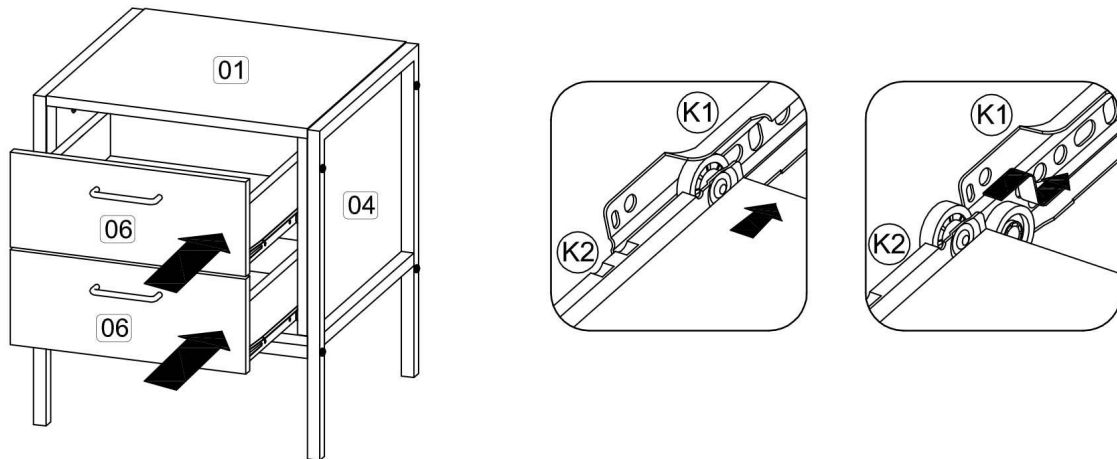
In this step only show one of the drawers.

DO NOT use any power tools as this may damage the frame and will invalidate any claim.



Step 9: Assemble the drawers in place along the drawer slides.

DO NOT use any power tools as this may damage the frame and will invalidate any claim.



Additional Information:

- For complete product information, images and dimension diagrams please visit the website www.birlea.com
- If you have any issues with your item please contact the retailer directly you purchased it from who will be able to resolve any issues with Birlea.
- Why don't you send us photos of your assembled furniture to info@birlea.com to be shared in our #birleahome feature on instagram.



Birlea

Suppliers of inspiration