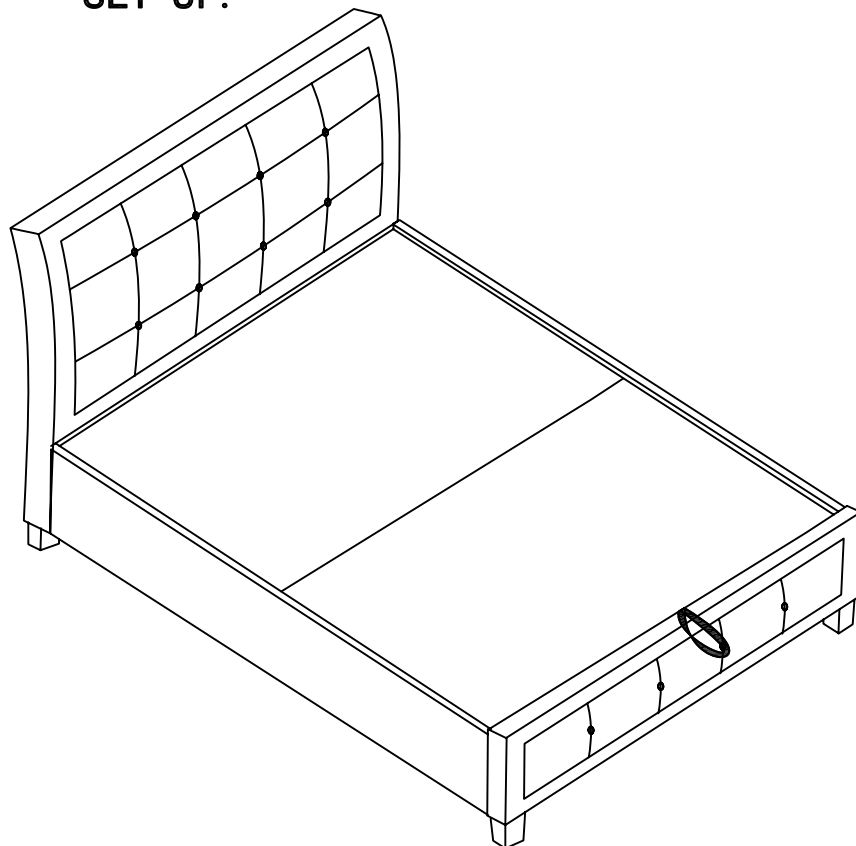


ASSEMBLY INSTRUCTION

Important

Please inspect all items carefully before assembling. If for any reason you need to return this item, you must return it in its original packaging. Assembled items cannot be returned

**IMPORTANT NOTE: *PLACE ALL PARTS ON A CLEAN AND SMOOTH SURFACE SUCH AS ARUG OR CARPET TO AVOID THE PARTS FROM BEING SCRATCHED.
*KINDLY FOLLOW THE ASSEMBLY INSTRUCTIONS STEP BY STEP.
*DO NOT TIGHTEN ALL SCREWS UNTIL THE BED IS FULLY SET-UP.**



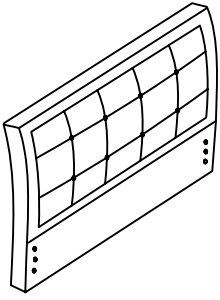
5FT CATANIA OTTOMAN KING BED

CARE INSTRUCTIONS

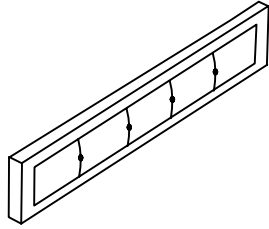
- * Wipe clean using a soft damp cloth followed by a dry cloth.**
- * Do not use abrasives or cleaning products which may contain ammonia or solvents.**
- * Take care when handing or moving the furniture. Careless handling can damage wooden furniture, try to lift rather than drag.**

Parts list

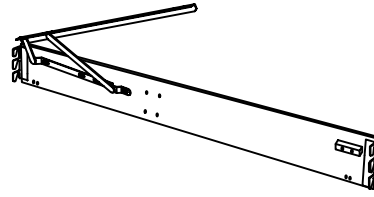
① Headboard 1pc



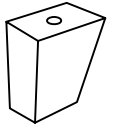
② Footboard 1pc



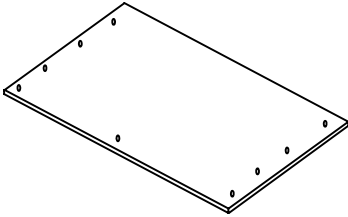
③ Side Rail 2pcs



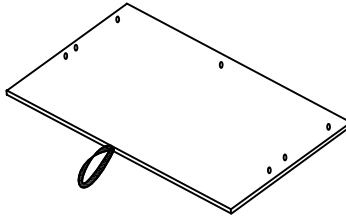
④ Leg 4pcs



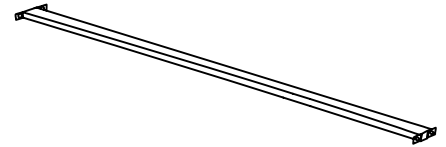
⑤ Front Lift Base 1pc



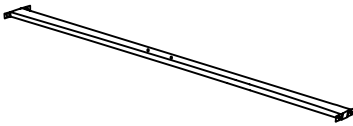
⑥ Back Lift Base 1pc



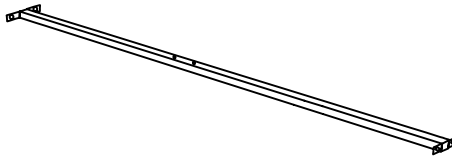
⑦ Cross Bar 1pc



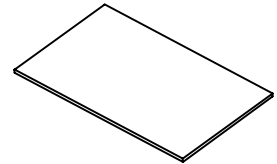
⑧ Wide Base Panel Support 1pc



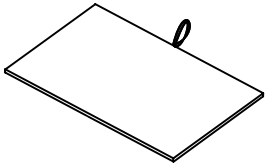
⑨ Narrow Base Panel Support 2pcs



⑩ Front Base Panel 1pc



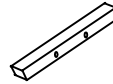
⑪ Back Base Panel 1pc



⑫ Support Legs 3pcs



⑬ Wood Brick 1pc



⑭ Mattress Support Rail 1pc

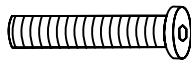


Hardware list

A Bolt M8*30mm 18 pcs



B Bolt M8*50 4 pcs



C Nut M8 6 pcs



D Spring Washer M8 12 pcs



E Flat Washer M8 14 pcs



F Allen Key M5 1 pc



G Spanner 1 pc



H Bolt M6*20mm 34 pcs



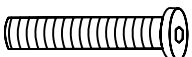
I Flat Washer M6 14 pcs



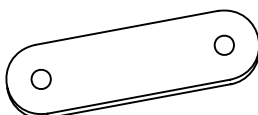
J Allen Key M4 1 pc



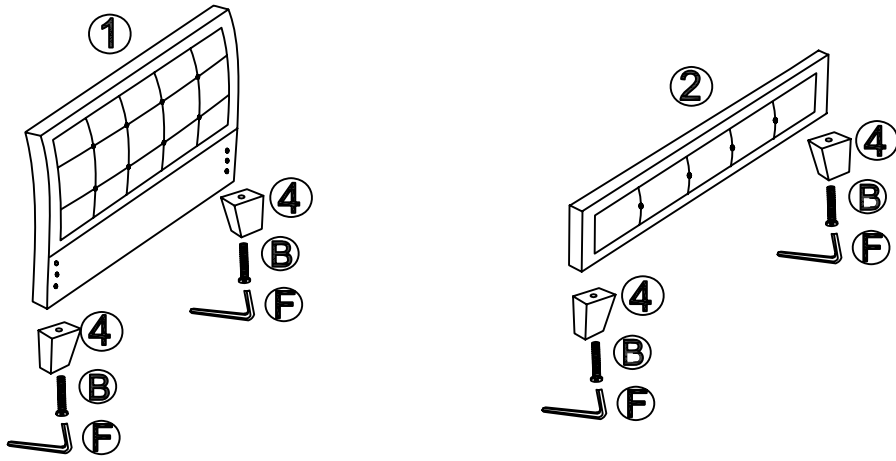
K Bolt M8*70 2 pcs



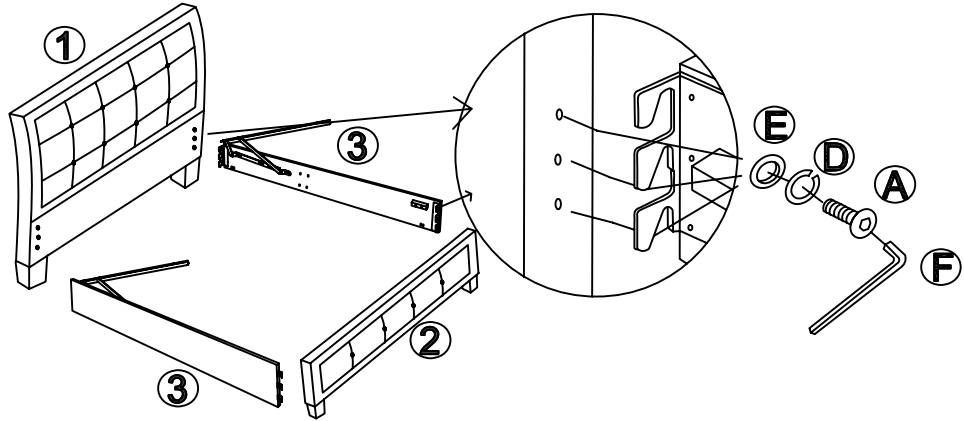
L Metal Plate 1 pc



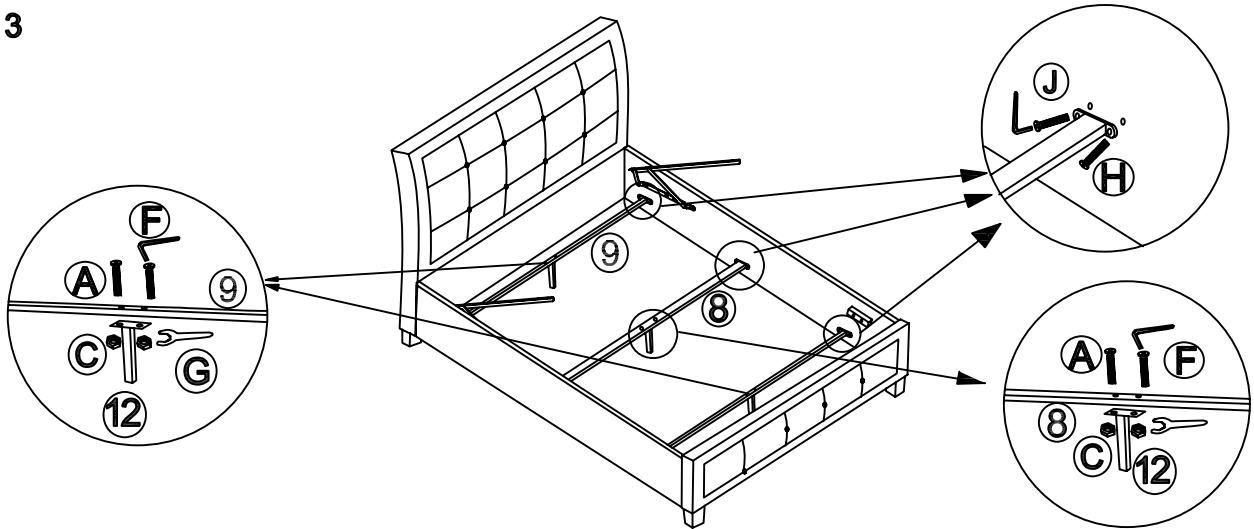
STEP 1



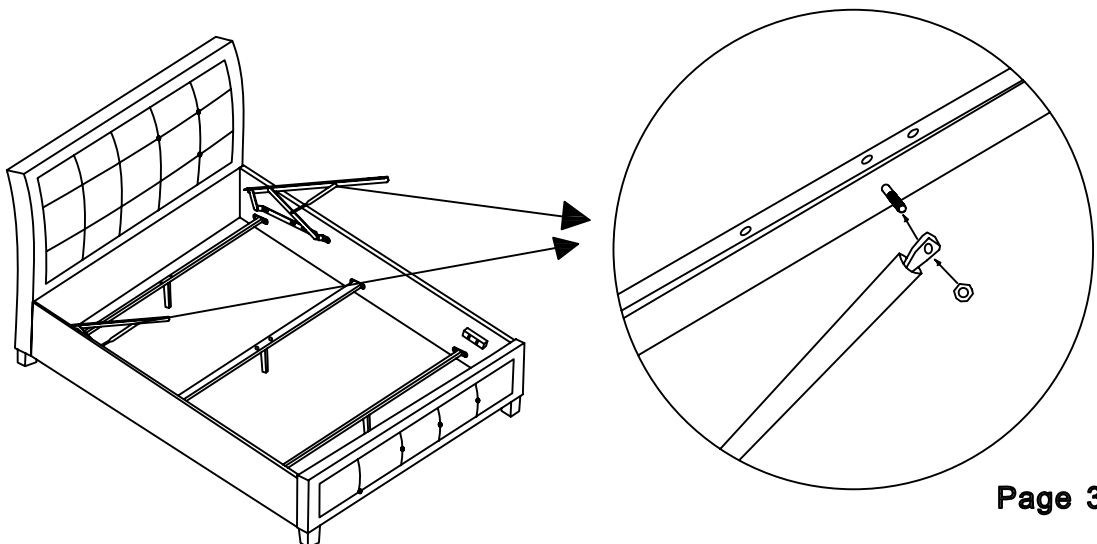
STEP 2



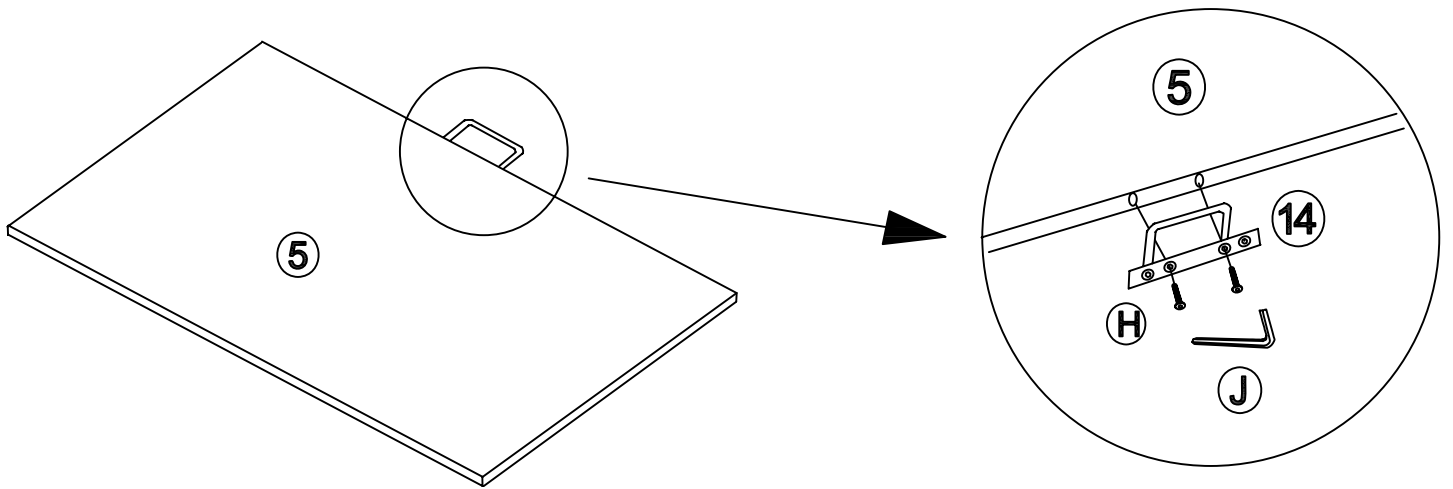
STEP 3



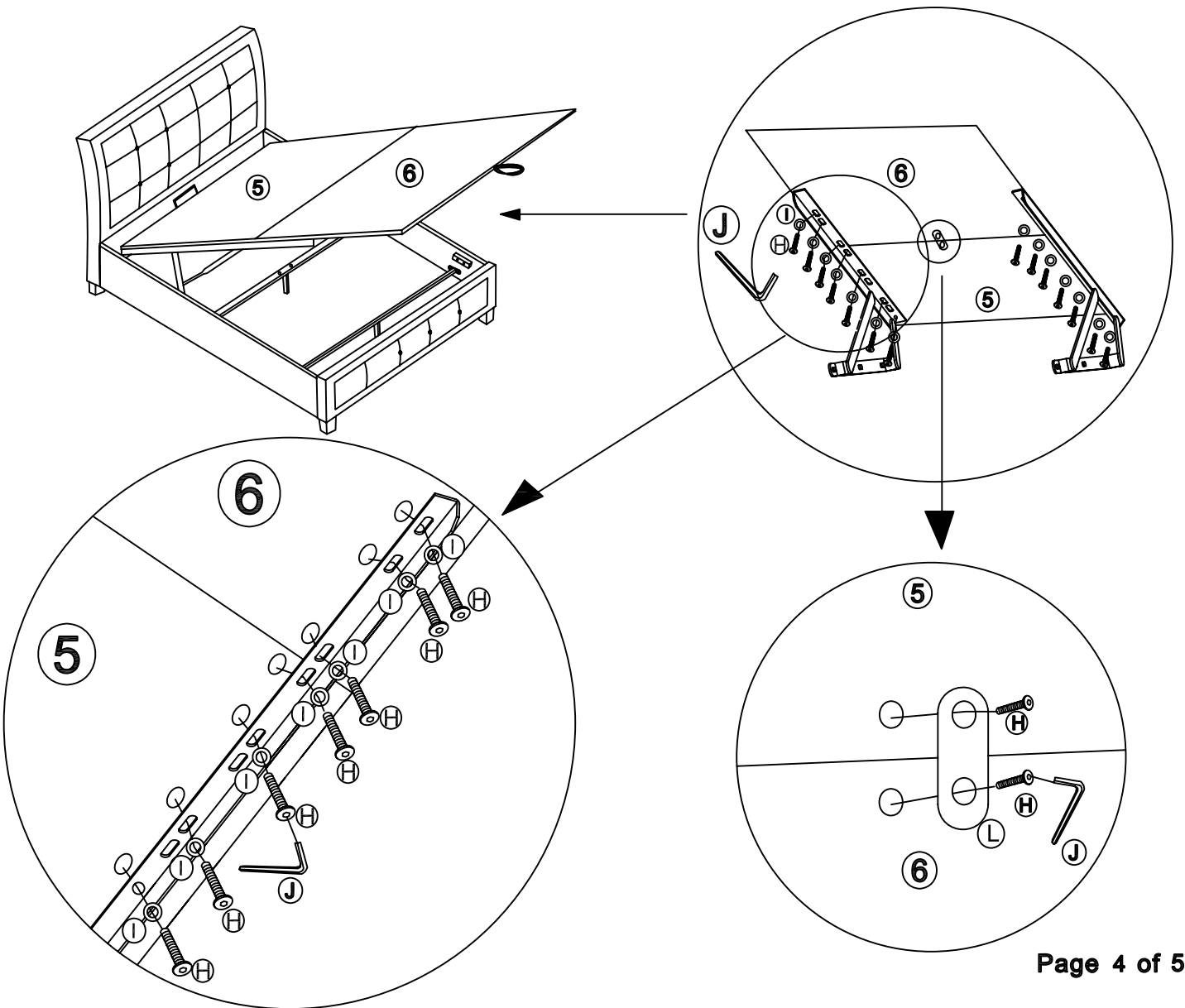
STEP 4



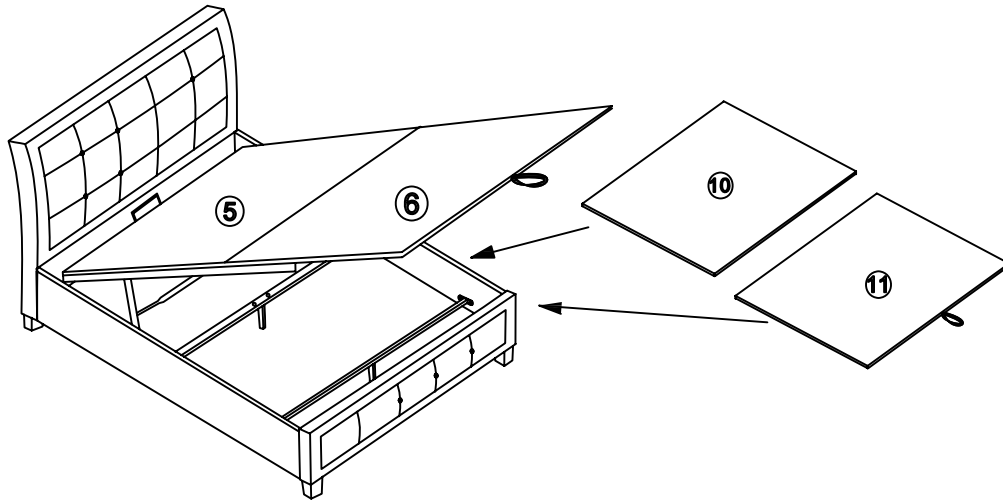
STEP 5



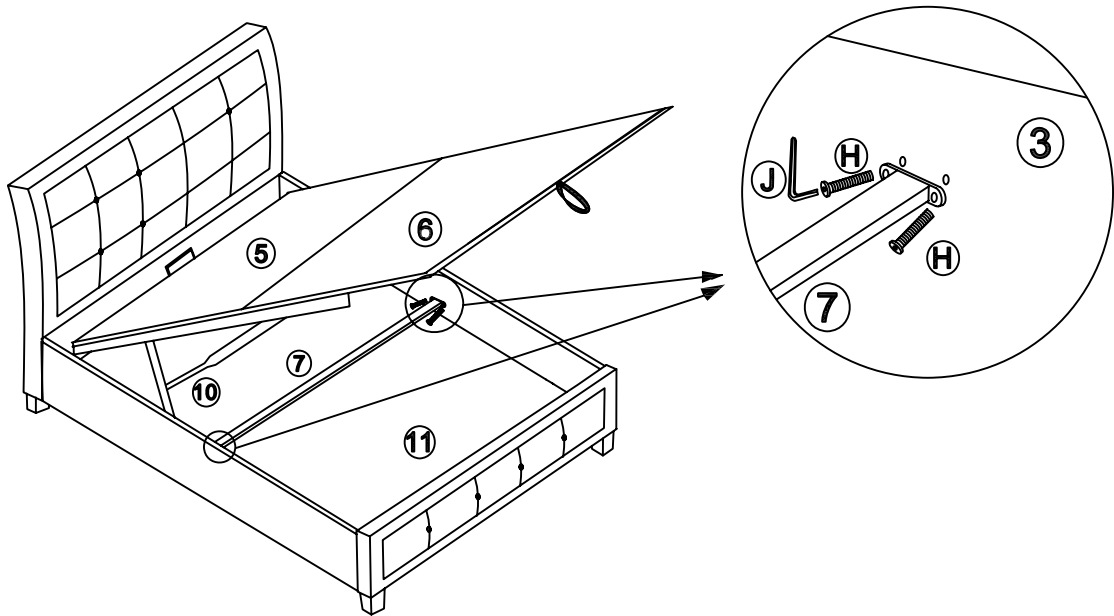
STEP 6



STEP 7



STEP 8



STEP 9

