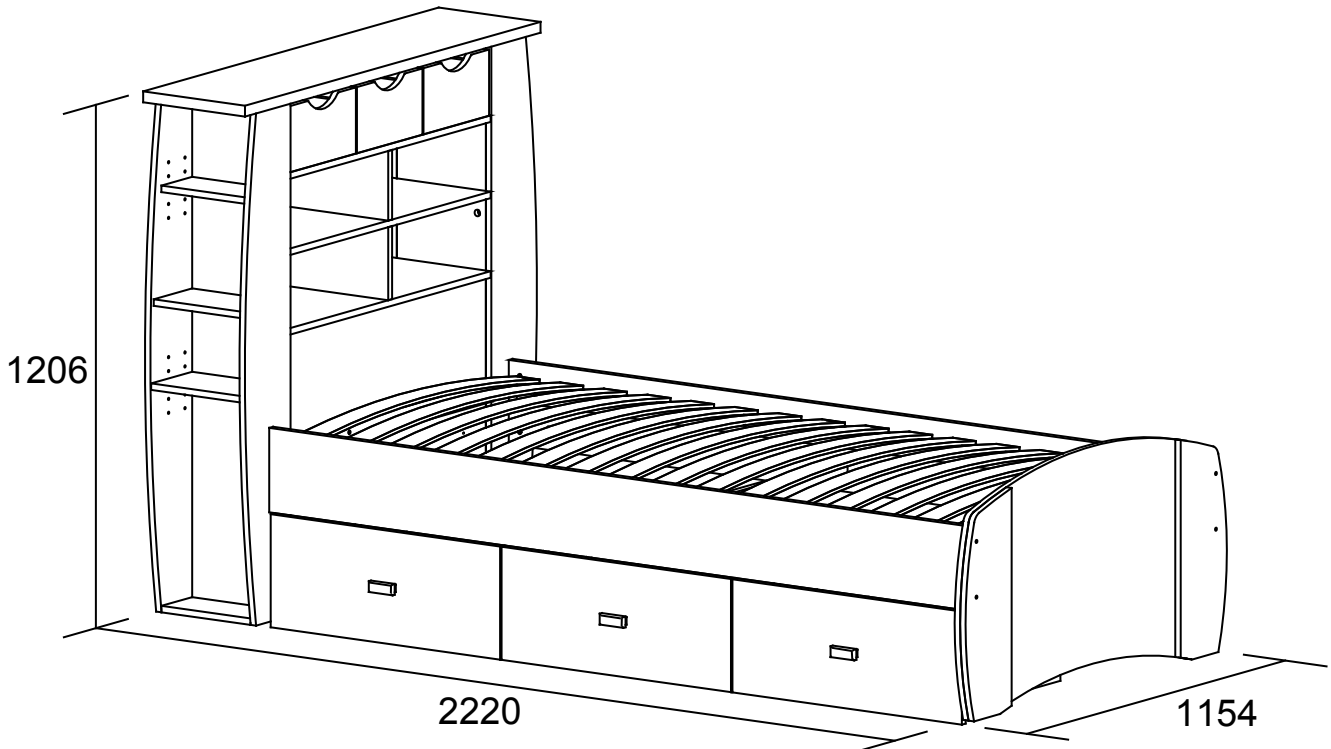


SYDNEY SINGLE BED WITH 3 UNDER DRAWER ASSEMBLY INSTRUCTIONS

Thank you for purchasing the **SYDNEY SINGLE BED WITH 3 UNDER DRAWER**. Please read the instructions carefully to ensure safe operation of the product.



Size: (W)2220x (D)1154 x (H)1206mm

Internal Size: (W)920 x (D)1910

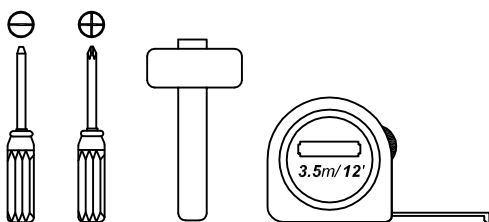
Colour : Blue / Pink

PLEASE READ this sheet prior to assembly to familiarise yourself with the various stages of construction.

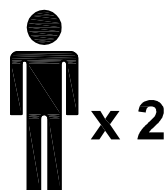
Carefully open the pack supplied and check the contents against the parts and fittings check list. Do not destroy any of the packaging until you are certain that you have all the necessary parts for the assembly.

CAUTION: There are small components used in the construction of this unit. These loose items should be kept away from young children whilst assembling your unit to avoid the danger of choking hazards.

Tools Required



Person Required



Approximate Assembly Time



Batch No : PO# 1069

Page 1 of 33

IMPORTANT - READ CAREFULLY - RETAIN THESE INSTRUCTIONS FOR FUTURE REFERENCE.

INFORMATION

- This product is intended for a maximum weight of **50kgs**. Do not exceed this weight.
- Due to the size of this product we recommend that it is assembled in the room intended for use.
- When you are ready to start, make sure that you have the right tools, plenty of space and a clean, dry area for assembly.
- Unwrap all packaging materials and place the components on top of the carton box or on a clean floor to prevent it from scratching.
- Check the pack and make sure you have all the parts listed.
- Ensure that this product is fully assembled as illustrated before use.
- Check all screws or bolts are tightened and inspect regularly
- This product should only be used on firm, level ground.
- Keep small parts out of reach of children.
- Make sure the legs remain in contact with the ground.
- Tools not included.

WARNINGS

- DO NOT use power tools to construct this product.
- DO NOT tighten screws until fully assembled.
- DO NOT over tighten screws or bolts.
- DO NOT use this product if parts are missing, damaged or worn.
- DO NOT sit or stand on the product.
- We recommend the use of the wall strap provided for safety reasons. N.B. Wall fixings are not included -please source suitable fixings for your wall type. If in doubt please consult a qualified tradeperson. **Warning:** Always ensure the area to be drilled is free from hidden electrical wires, water and gas pipes.

CARE INFORMATION

- Never use scourers, abrasives or chemical cleaners.
- To clean wipe with a sponge and warm soapy water. Do not use solvent based cleaners or detergents as they can bleach or damage the product.

Please check the pack contents before assembling the product. If any components are missing, please contact your retailer. The fittings pack contains small items that should be kept away from small children.

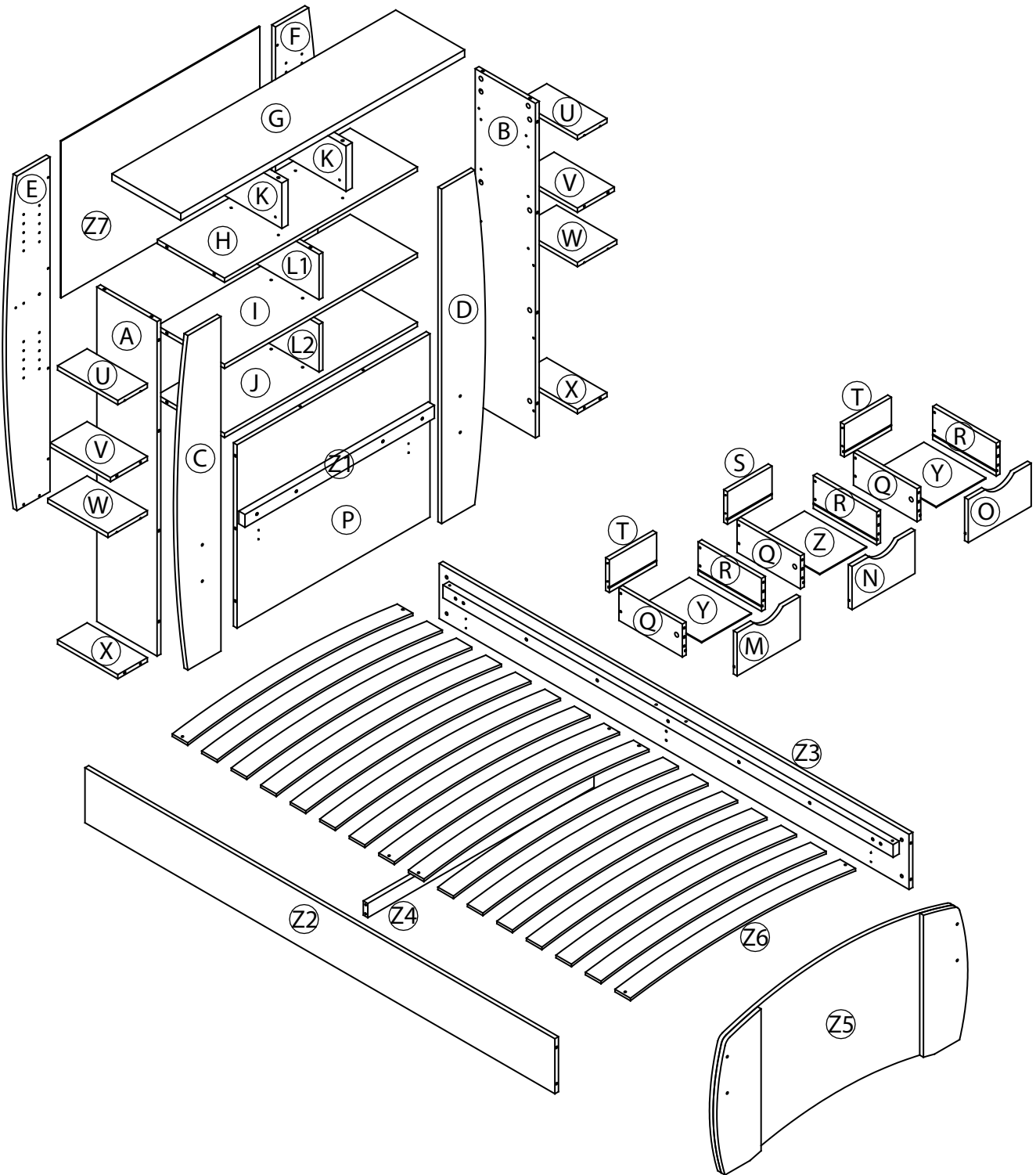
Parts

CODE	PART NAME	QTY
A	Side Panel (L)	1
B	Side Panel (R)	1
C	Profile Left (Front)	1
D	Profile Right (Front)	1
E	Profile Left (Back)	1
F	Profile Right (Back)	1
G	Top Panel	1
H	Fix Shelf (H)	1
I	Fix Shelf (I)	1
J	Fix Shelf (J)	3
K	Vertical Panel	2
L1	Centre Support	1
L2	Centre Support	1
M	Drawer Front (Left)	1
N	Drawer Front (Centre)	1
O	Drawer Front (Right)	1
P	Centre Board	1

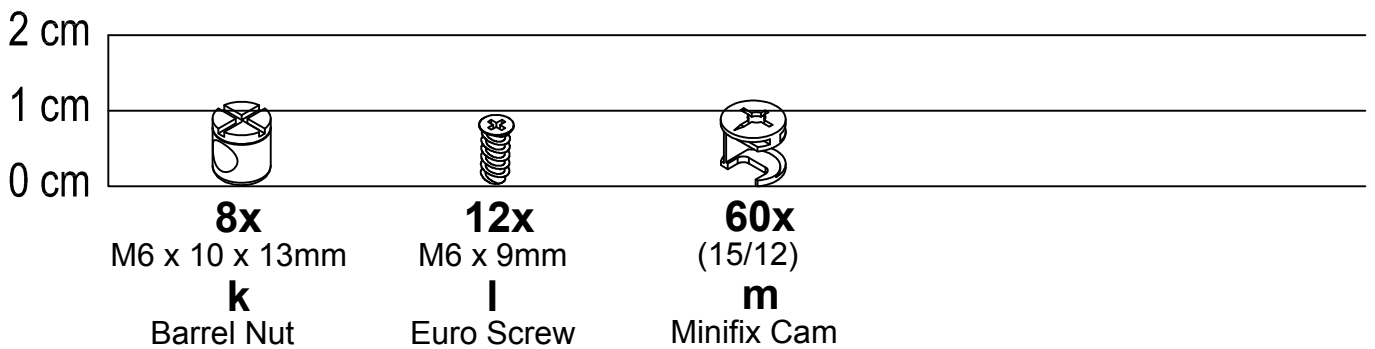
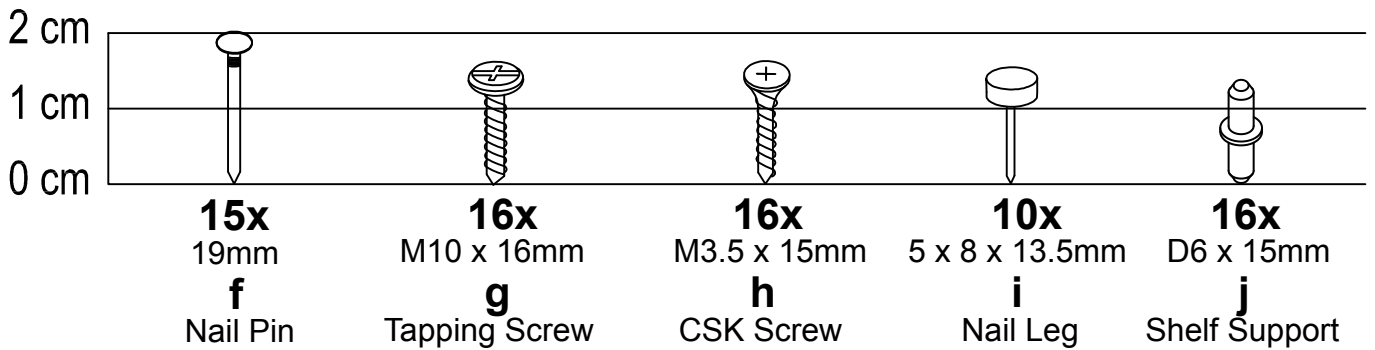
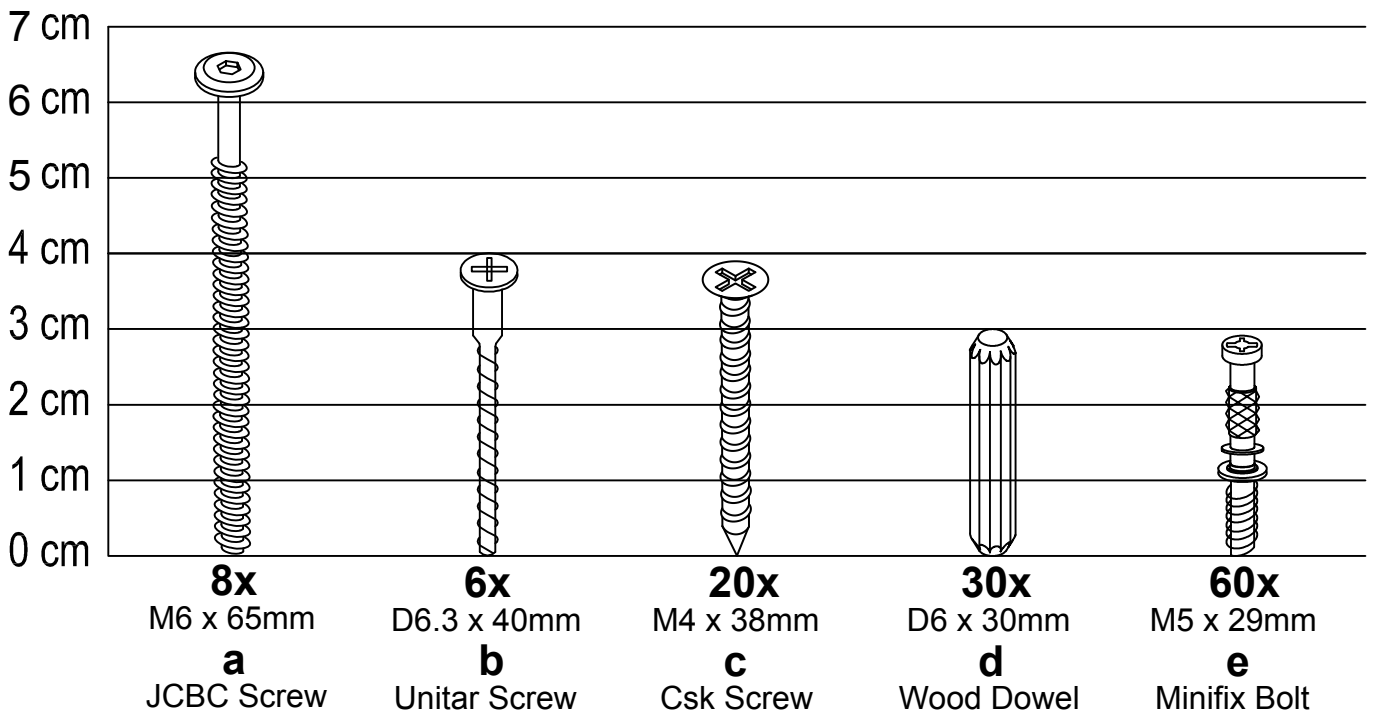
CODE	PART NAME	QTY
Q	Drawer Side (Left)	3
R	Drawer Side (Right)	3
S	Drawer Back (S)	1
T	Drawer Back (T)	1
U	Adjustable Shelf	2
V	Fix Shelf	2
W	Adjustable Shelf	2
X	Bottom Panel	2
Y	Drawer Bottom (Y)	2
Z	Drawer Bottom (Z)	1
Z1	Front Rail Support	1
Z2	Side Rail (Left)	1
Z3	Side Rail (Right)	1
Z4	Vertical Support	1
Z5	Foot Board	1
Z6	Bend Slat	16
Z7	Back Panel	1

Please check the pack contents before assembling the product. If any components are missing, please contact your retailer. The fittings pack contains small items that should be kept away from small children.

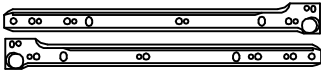
Parts



Fixings (to scale)



Fixings (not to scale)



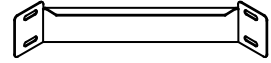
3x
10"-250mm
n
Drawer Slide



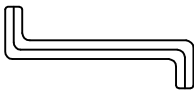
3x
10"-250mm
o
Drawer Slide



2x
p
L-Metal Bracket



4x
q
Rectangular Bed Bracket



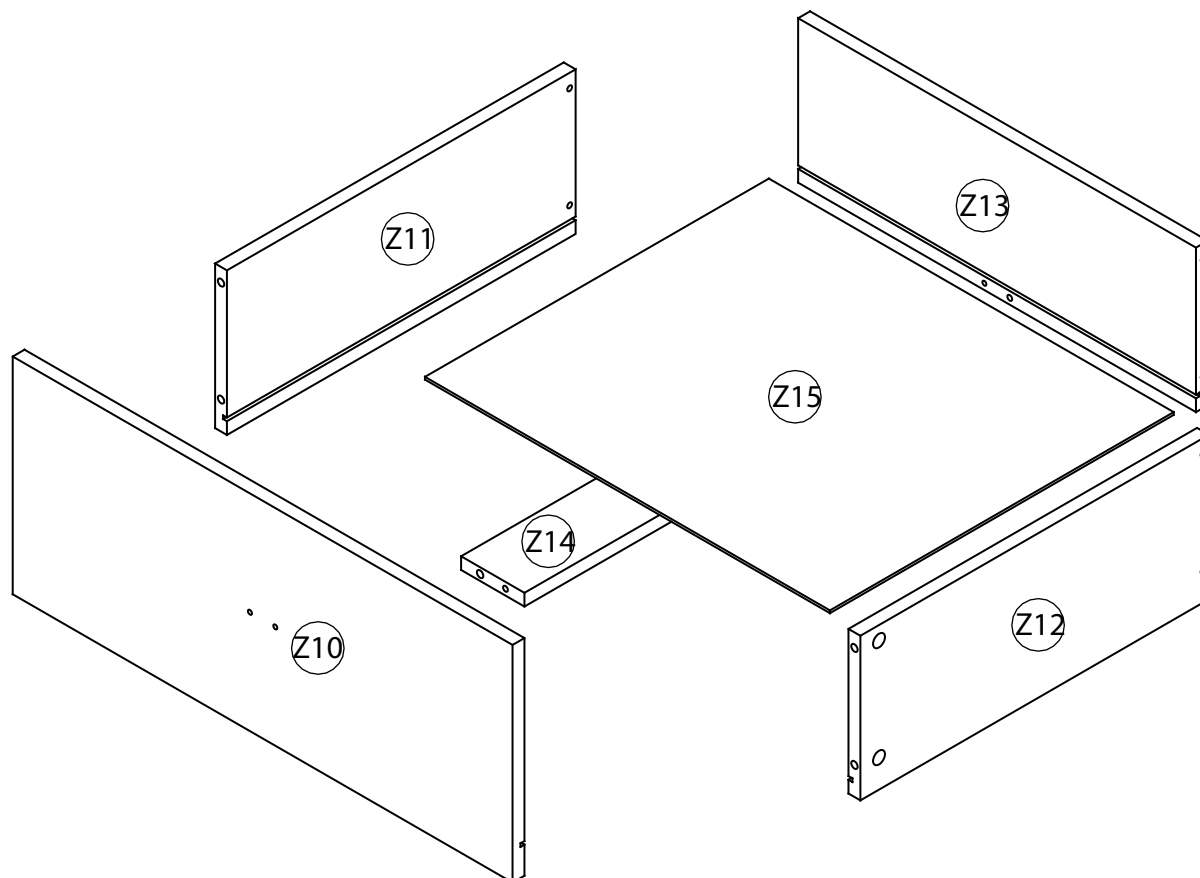
1x
M4
v
Allen Key

Please check the pack contents before assembling the product. If any components are missing, please contact your retailer. The fittings pack contains small items that should be kept away from small children.

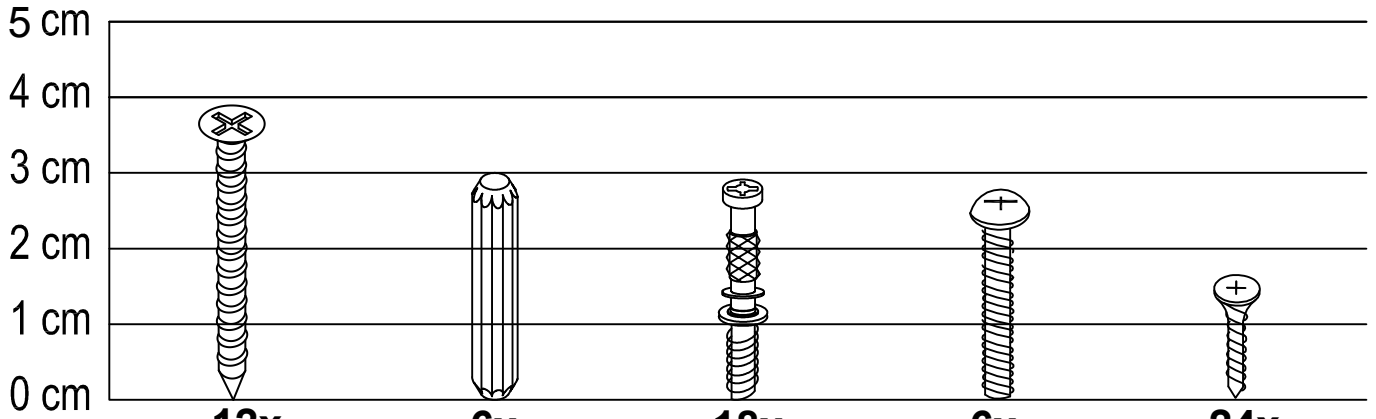
Parts

CODE	PART NAME	QTY
Z10	Drawer Front	3
Z11	Drawer Side (right)	3
Z12	Drawer Side (Left)	3

CODE	PART NAME	QTY
Z13	Drawer Back	3
Z14	Drawer Support	3
Z15	Drawer Bottom	3



Fixings (to scale)



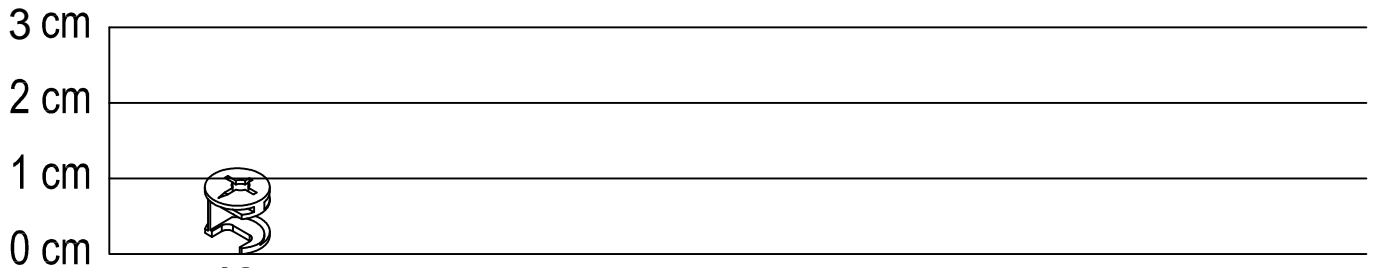
12x
M4 x 38mm
a
CSK Screw

6x
D6 x 30mm
b
Wood Dowel

18x
M5 x 29mm
c
Minifix Bolt

6x
M4 x 25mm
d
Handle Screw

24x
M3.5 x 15mm
e
CSK Screw

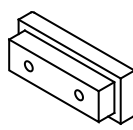


18x
D15 x 12mm
f
Minifix Cam

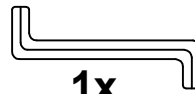
Fixings (not to scale)



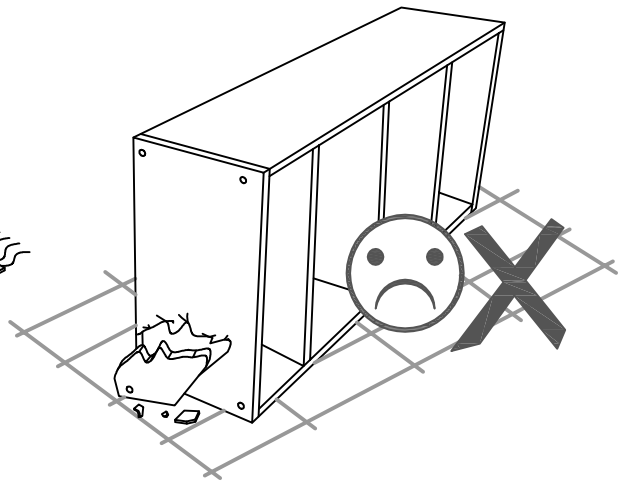
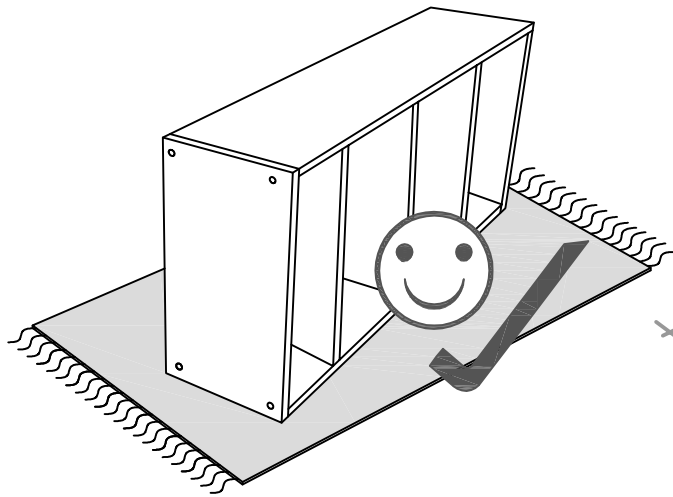
12x
g
Nylon Castor



3x
(L-65mm)
h
Handle

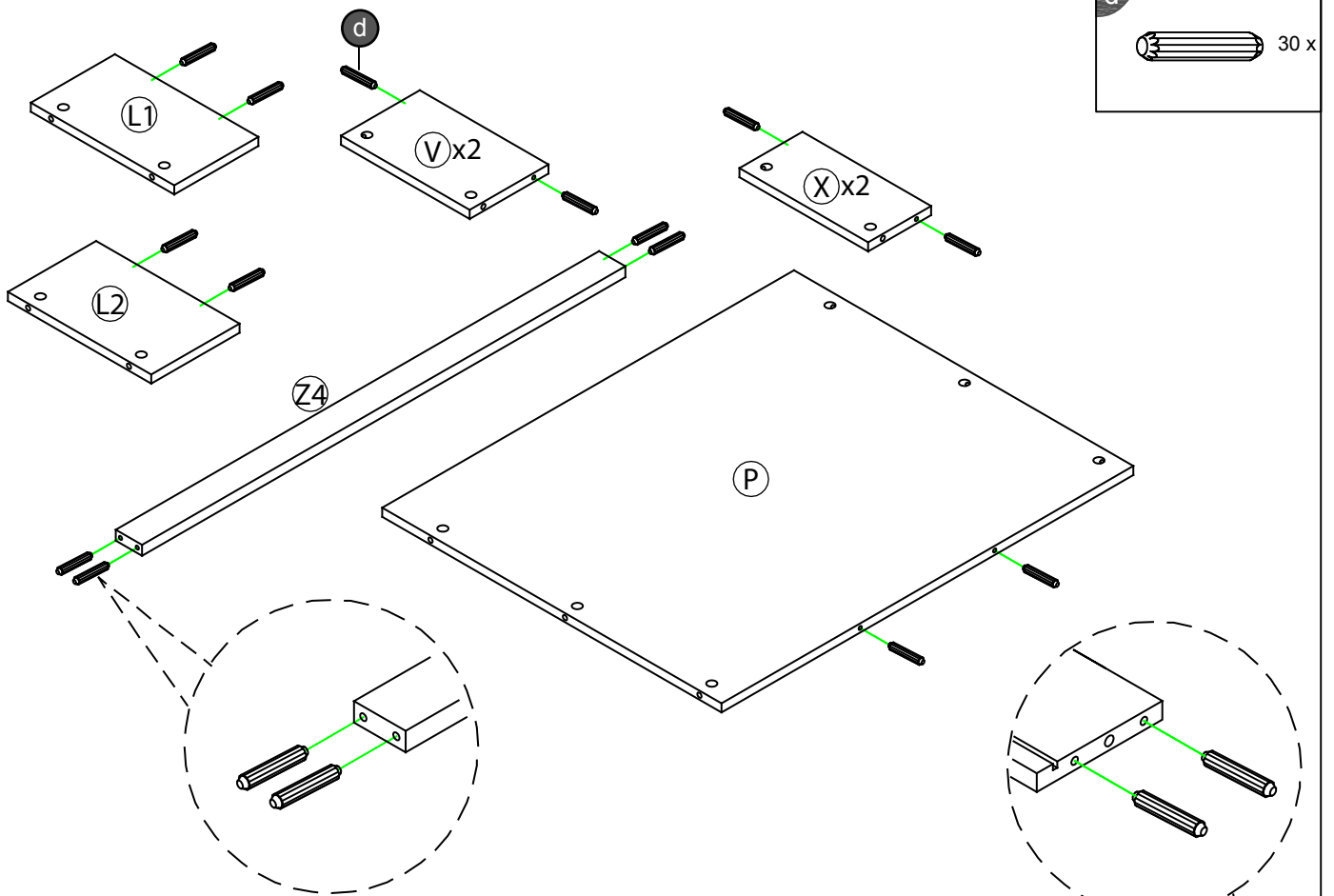


1x
M4
i
Allen Key



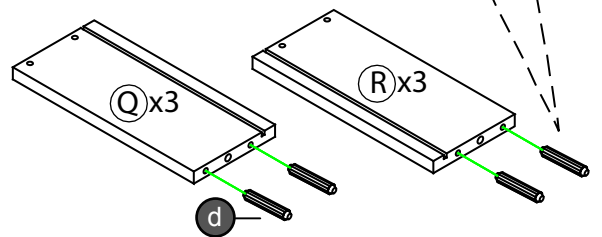
Layout Parts on Soft Surface

STEP 1

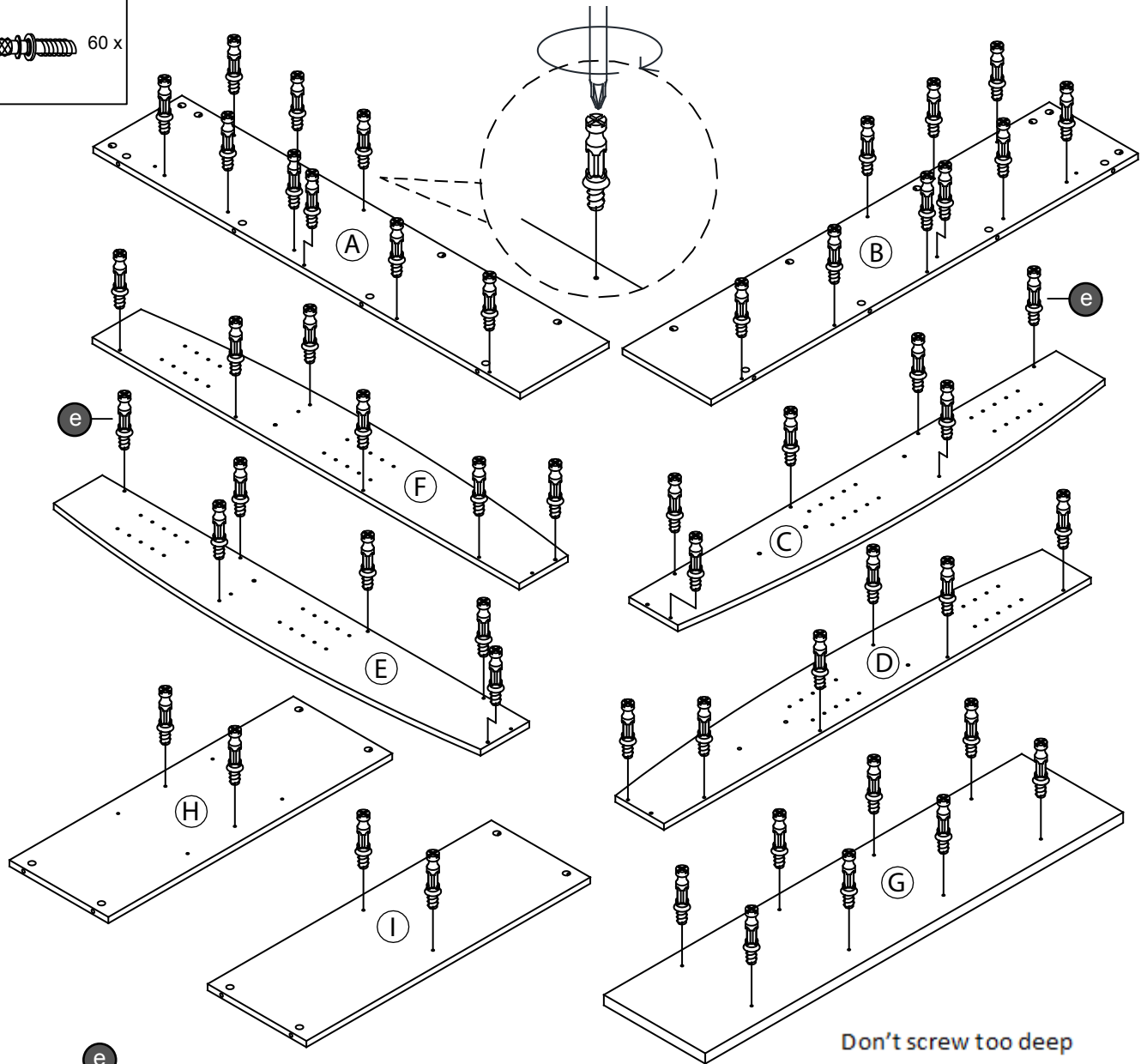
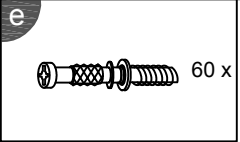


Parts Required	Qty
Panel (L1)	1
Panel (L2)	1
Panel (P)	1
Panel (Q)	3

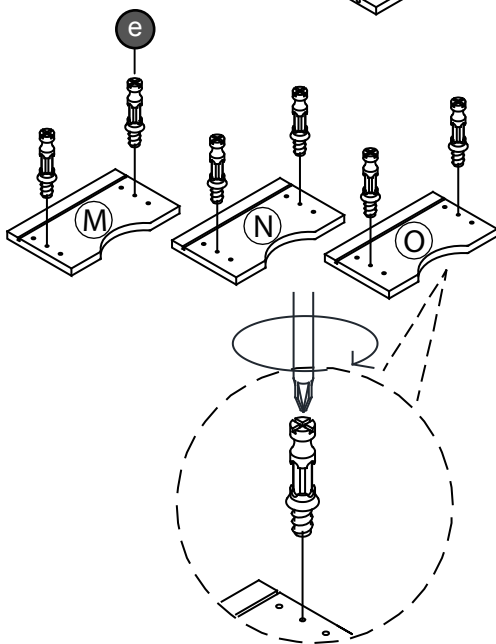
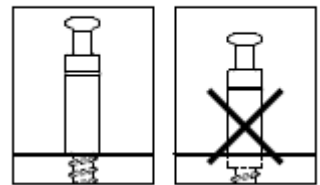
Parts Required	Qty
Panel (R)	3
Panel (V)	2
Panel (X)	2



STEP 2

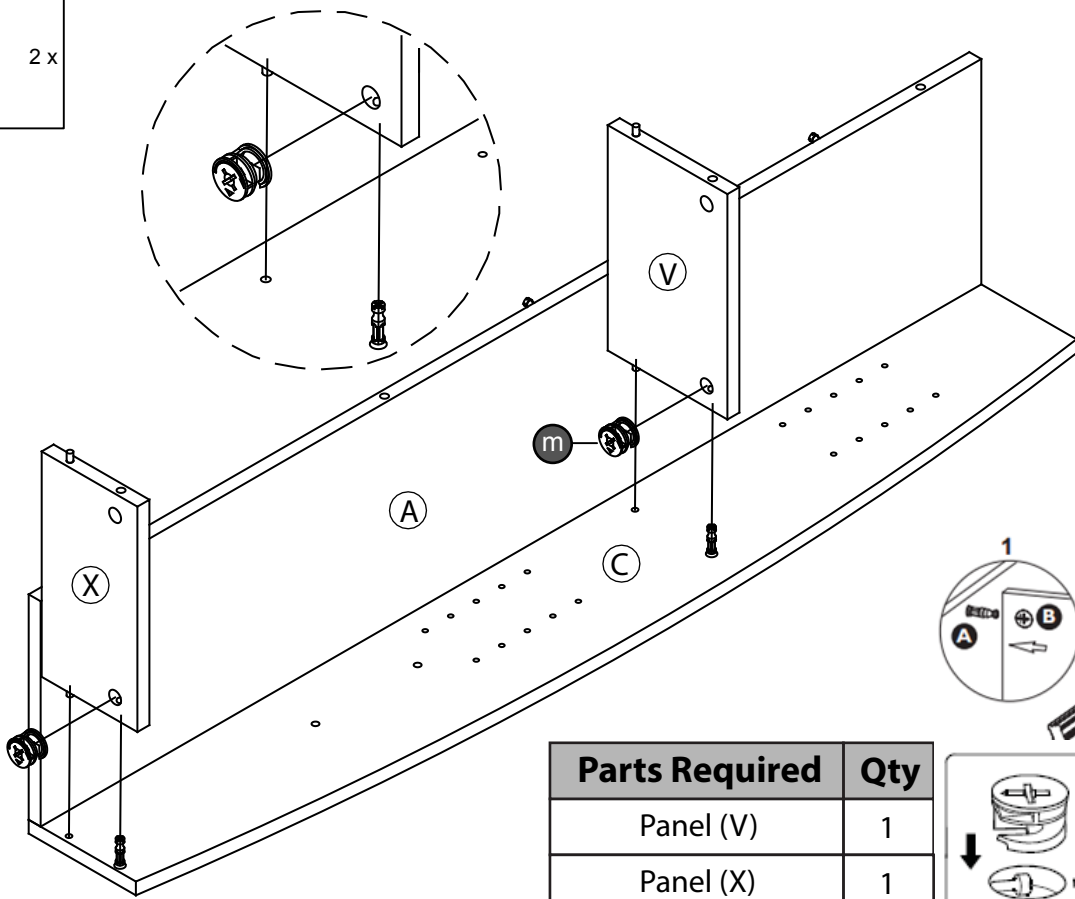
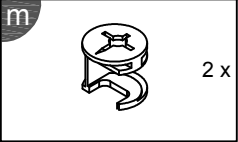


Don't screw too deep

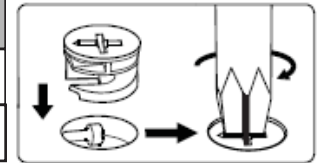


Parts Required	Qty	Parts Required	Qty
Panel (A)	1	Panel (F)	1
Panel (B)	1	Panel (G)	1
Panel (C)	1	Panel (H)	1
Panel (D)	1	Panel (M)	1
Panel (E)	1	Panel (N)	1
		Panel (O)	1

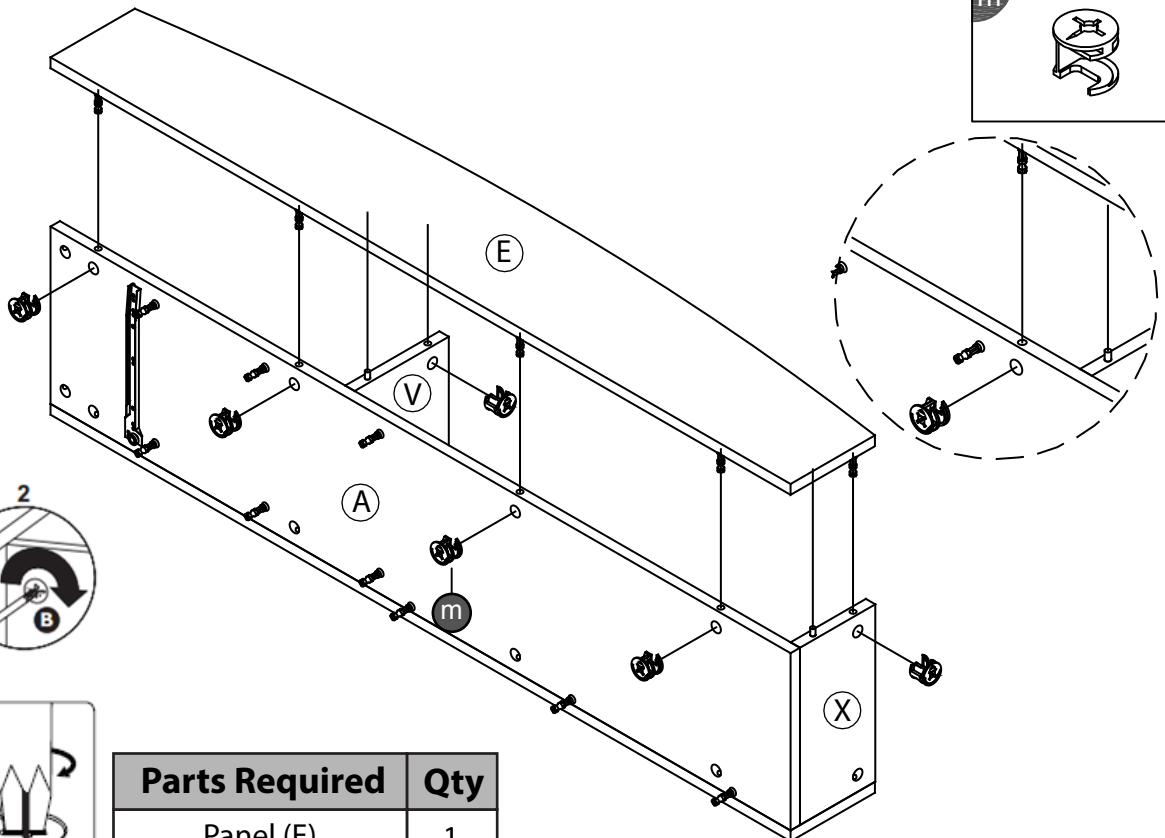
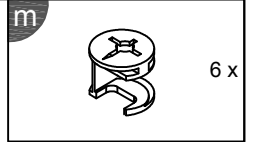
STEP 5



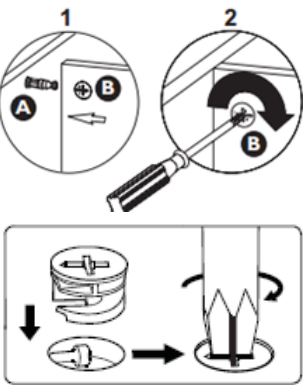
Parts Required	Qty
Panel (V)	1
Panel (X)	1



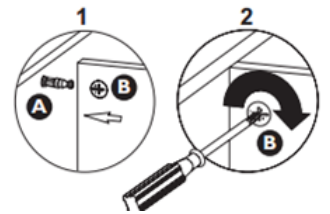
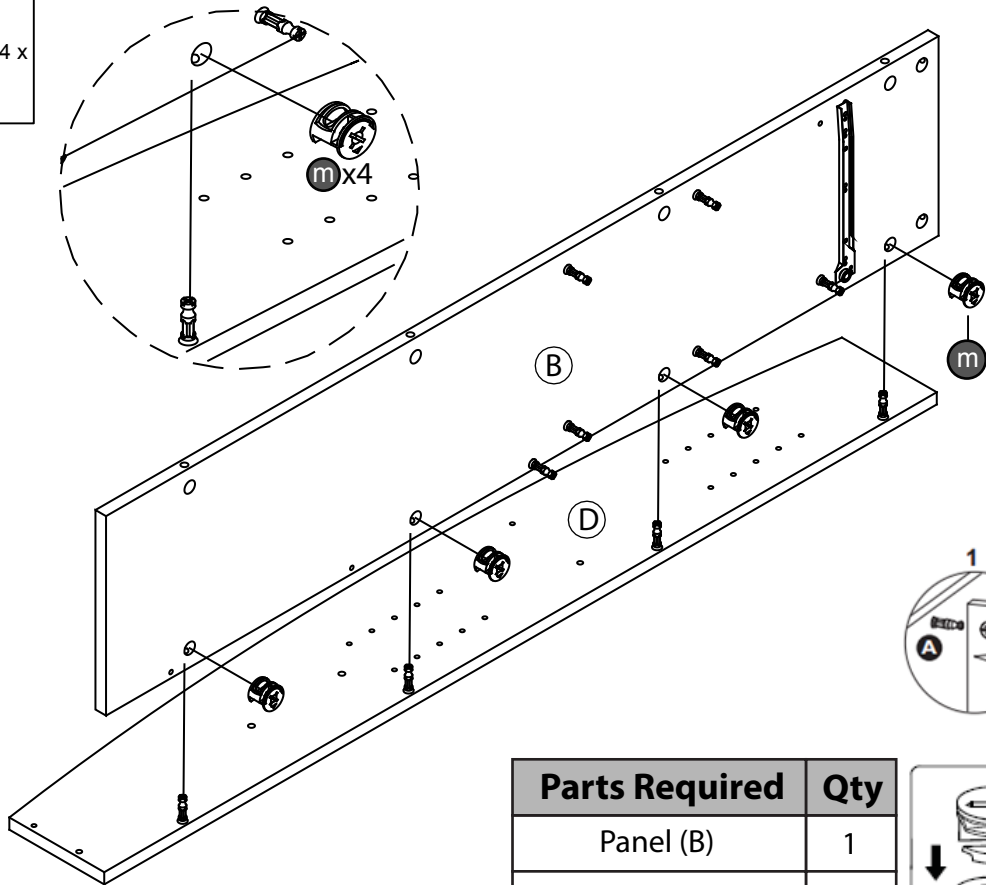
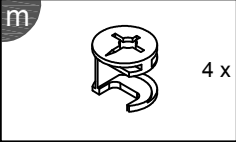
STEP 6



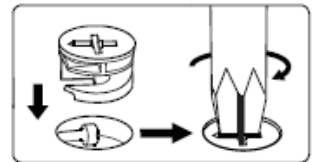
Parts Required	Qty
Panel (E)	1



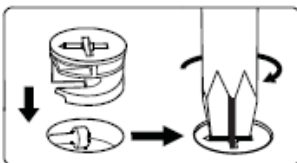
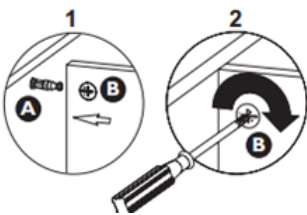
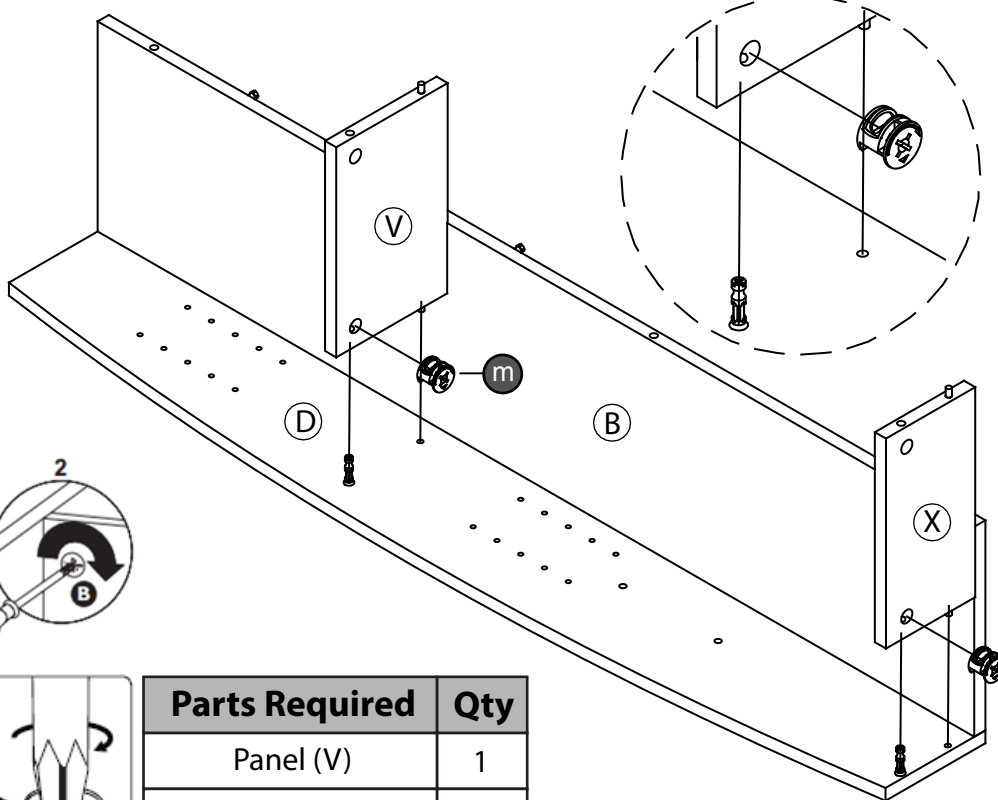
STEP 7



Parts Required	Qty
Panel (B)	1
Panel (D)	1

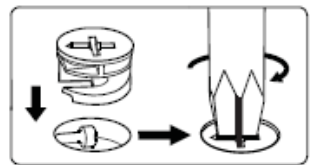
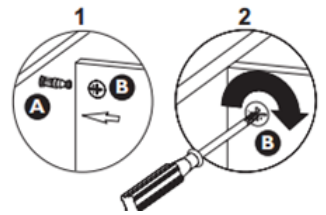
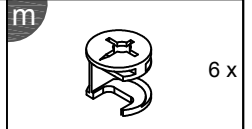
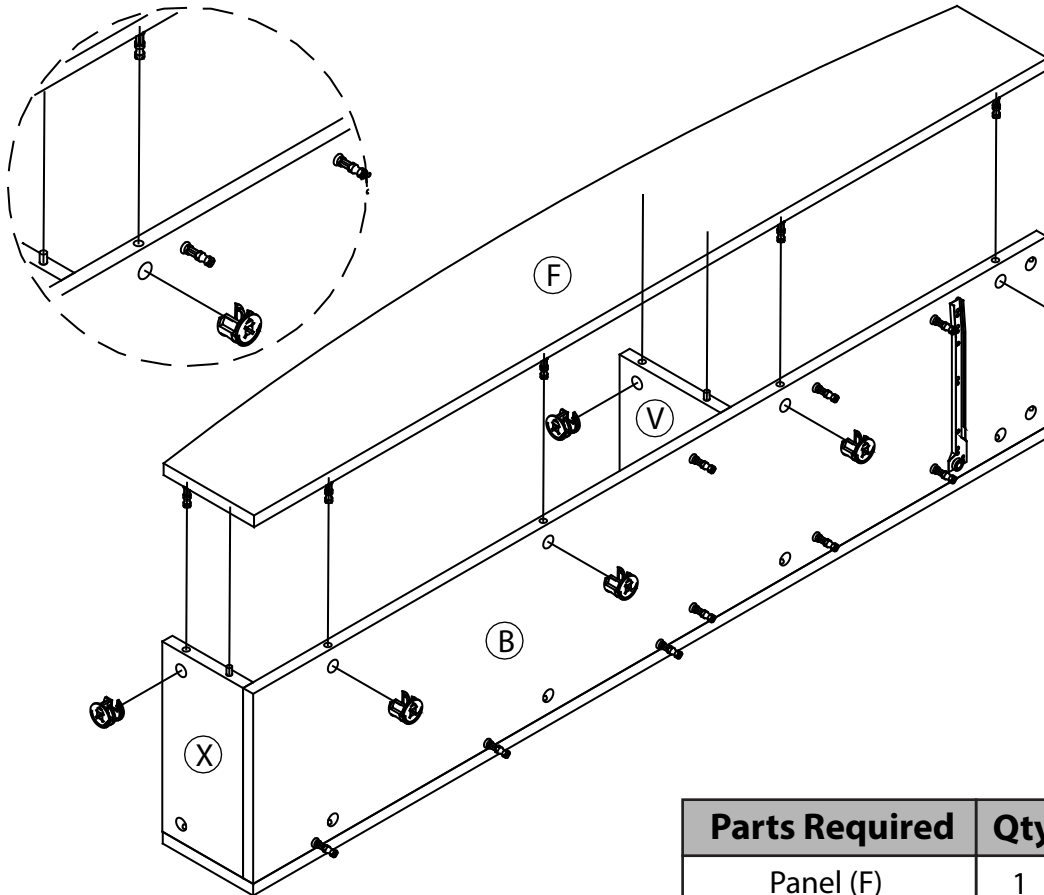


STEP 8



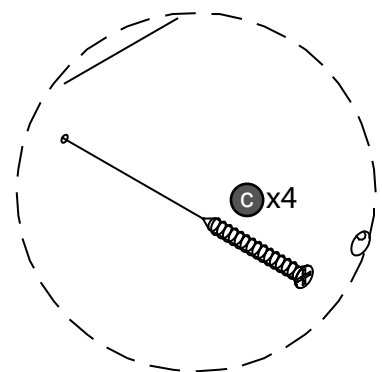
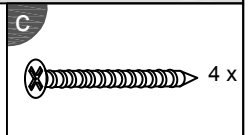
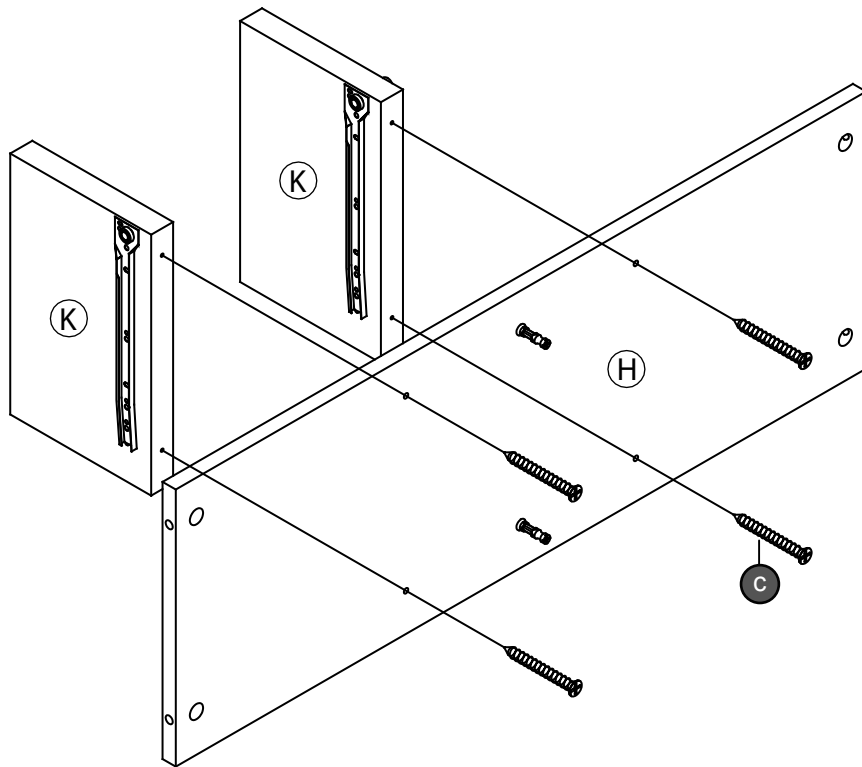
Parts Required	Qty
Panel (V)	1
Panel (X)	1

STEP 9

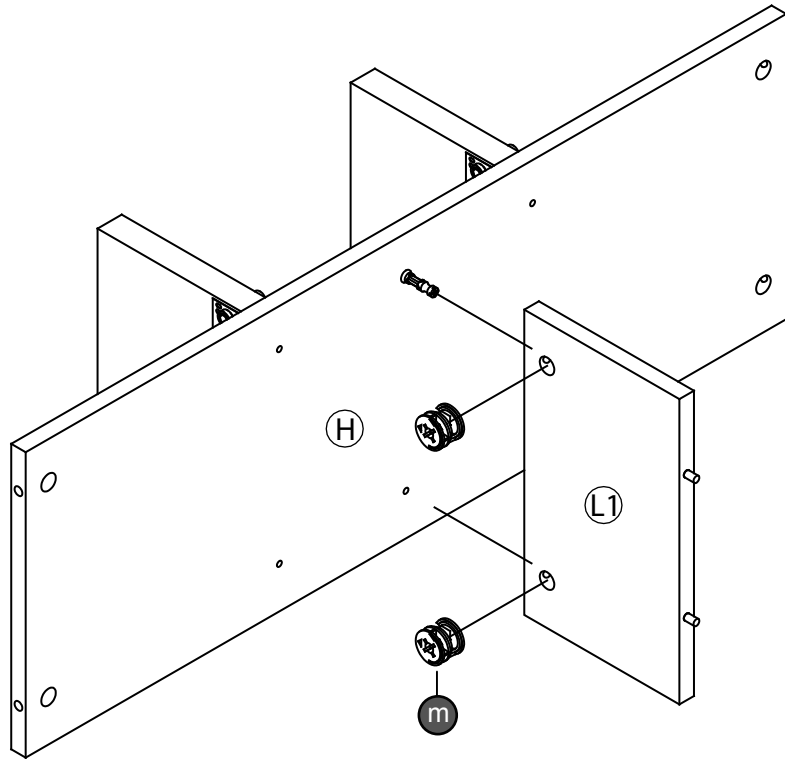
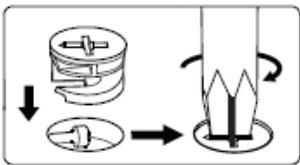
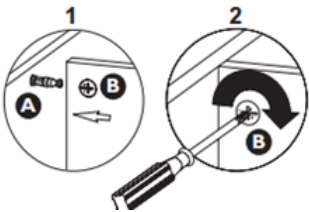
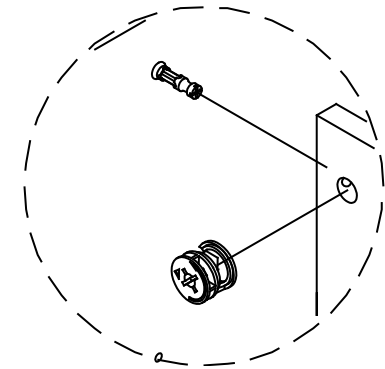
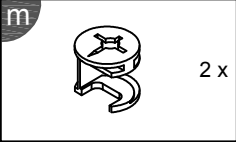


Parts Required	Qty
Panel (F)	1

STEP 10

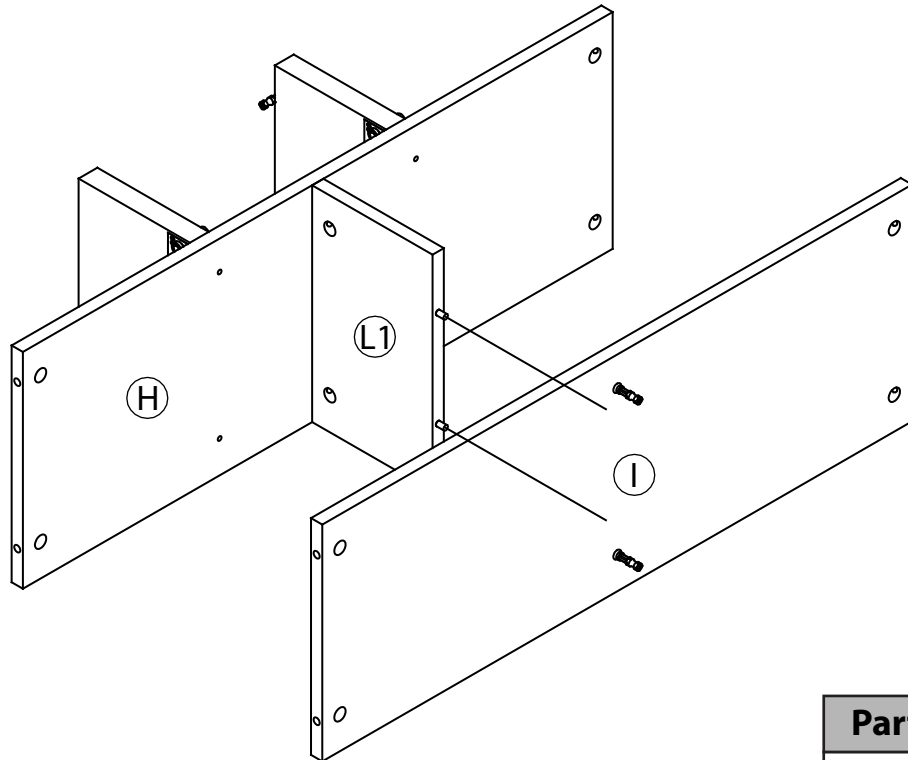


STEP 11



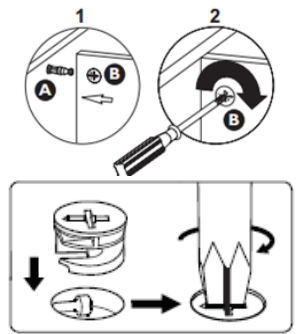
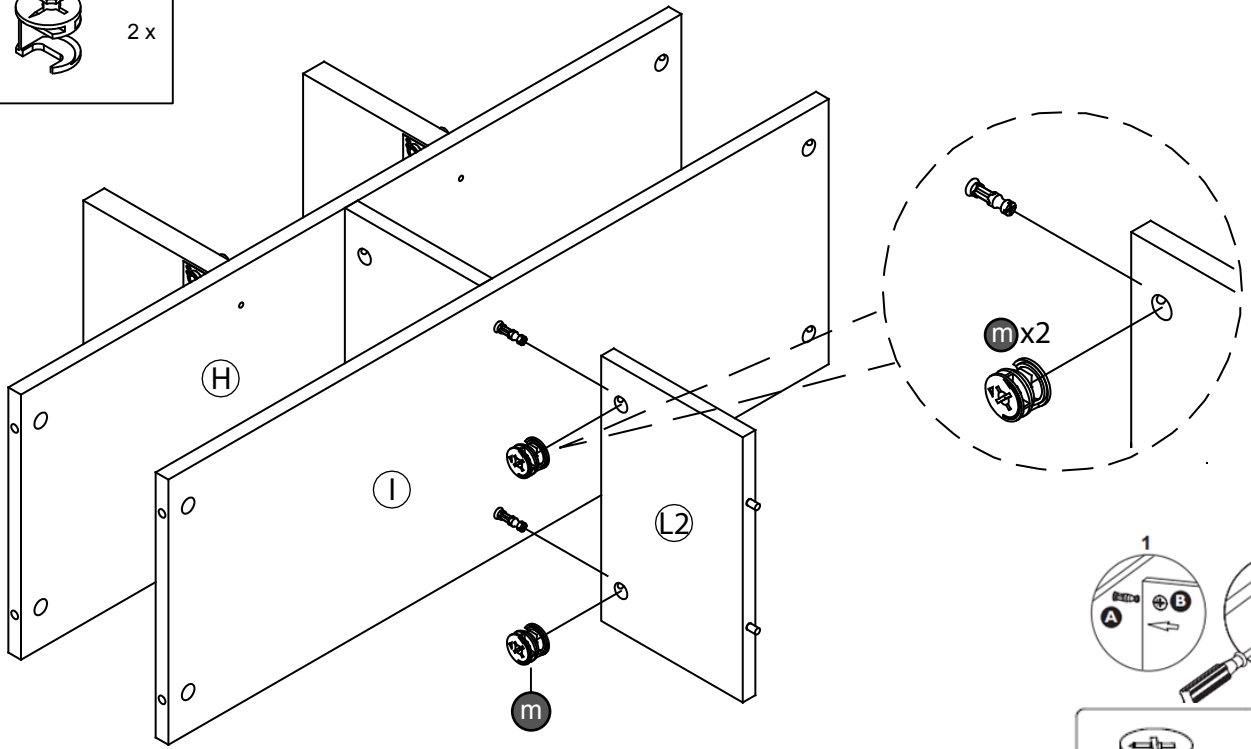
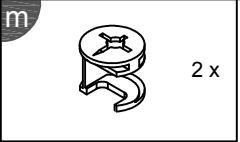
Parts Required	Qty
Panel (L1)	1

STEP 12

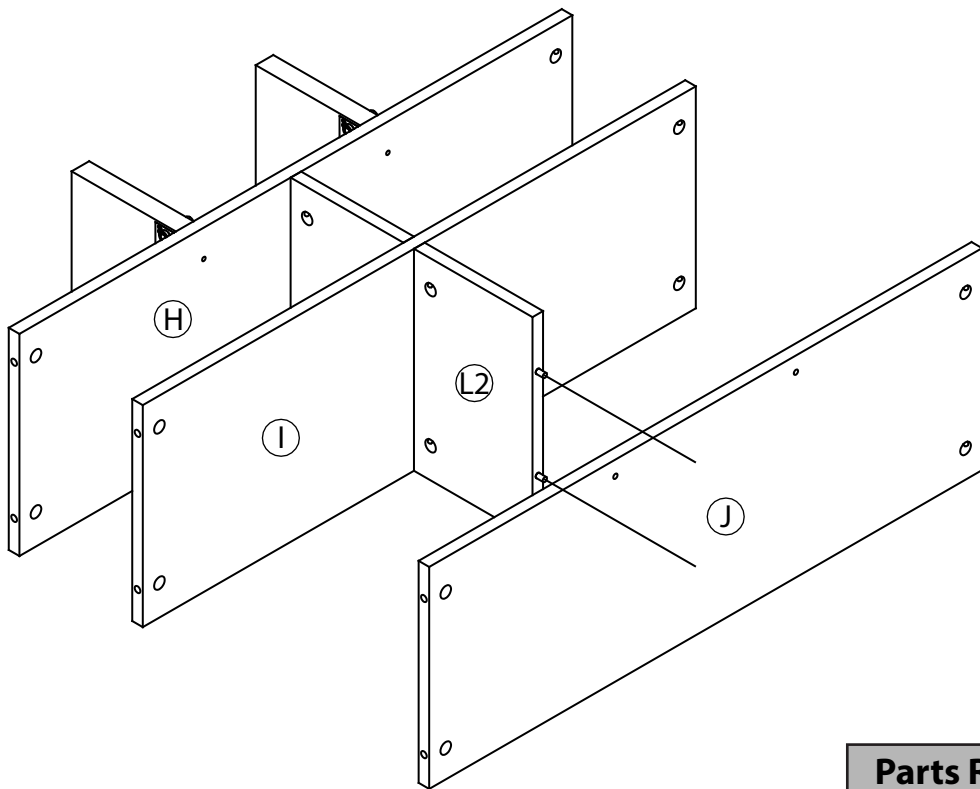


Parts Required	Qty
Panel (I)	1

STEP 13

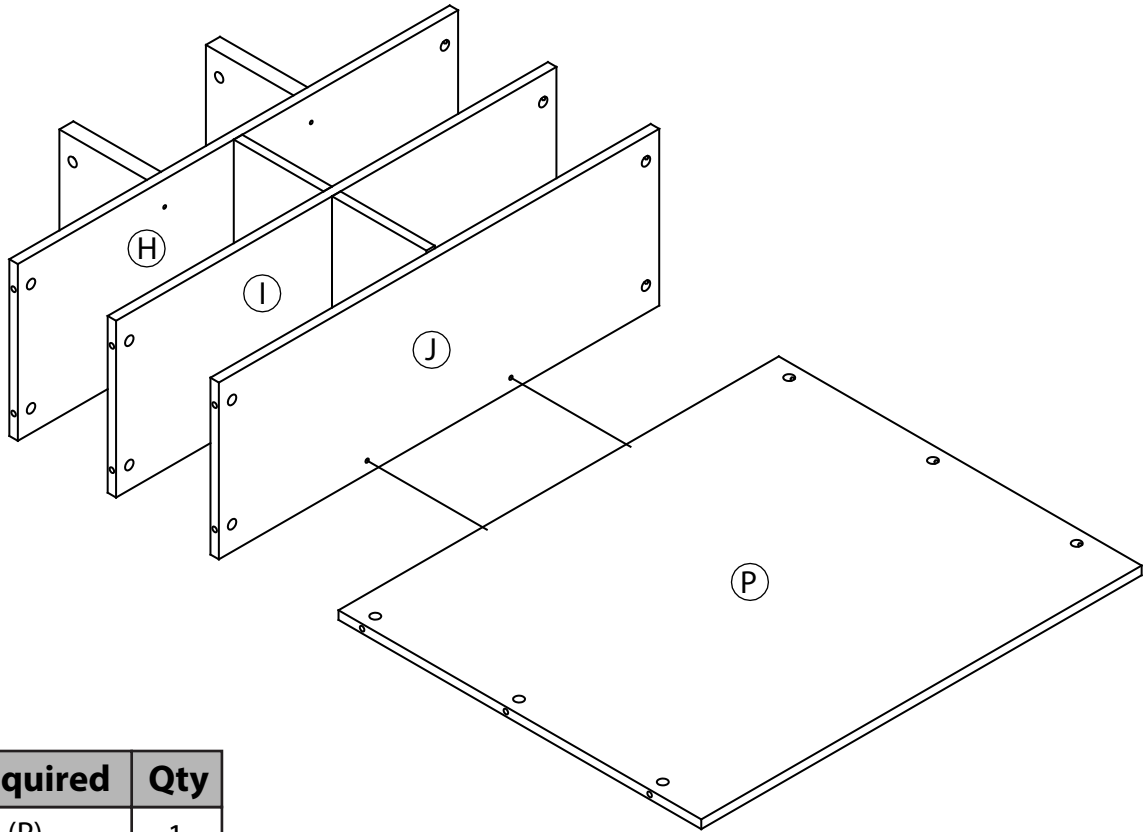


STEP 14



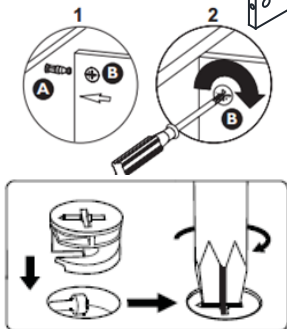
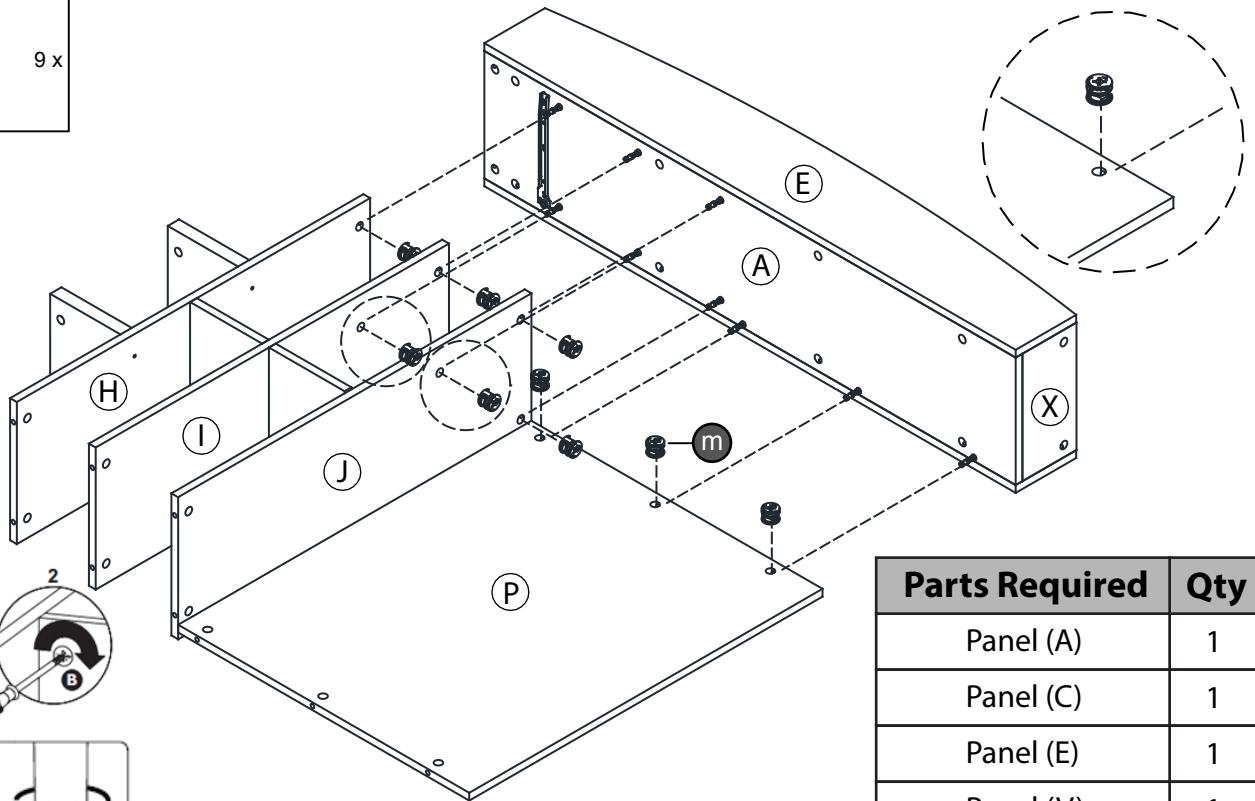
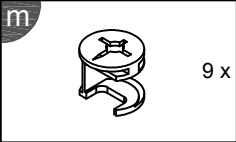
Parts Required	Qty
Panel (J)	1

STEP 15



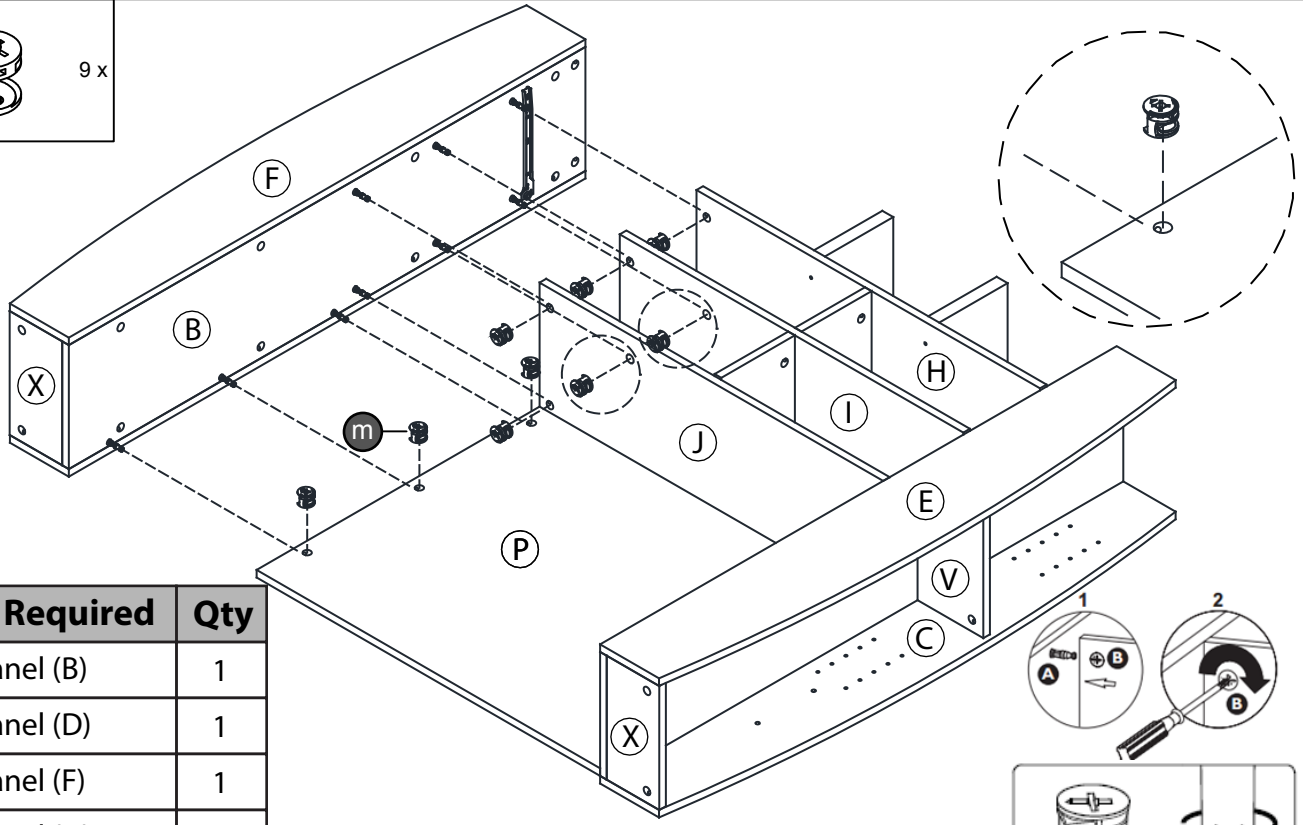
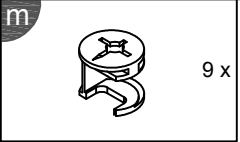
Parts Required	Qty
Panel (P)	1

STEP 16



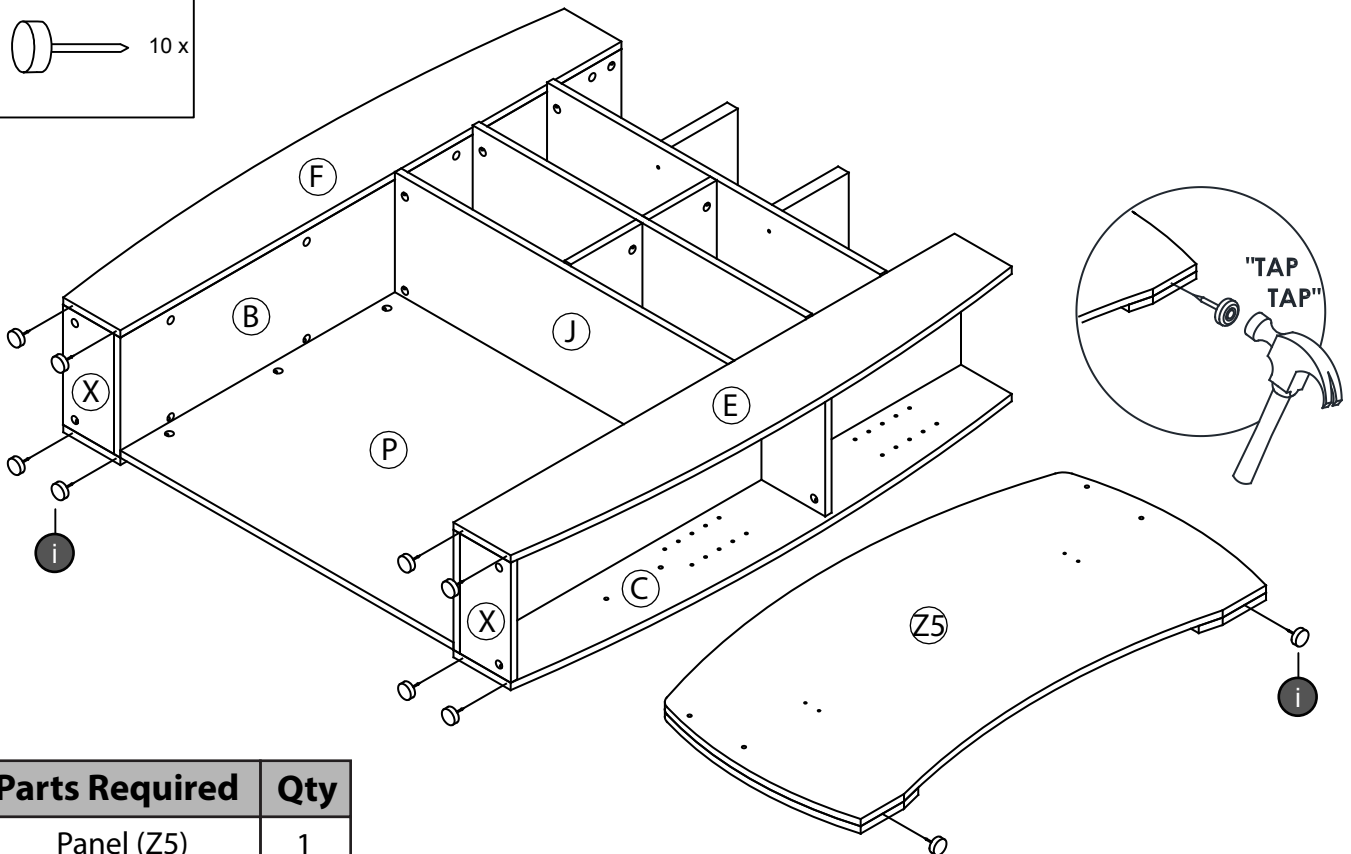
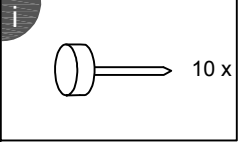
Parts Required	Qty
Panel (A)	1
Panel (C)	1
Panel (E)	1
Panel (V)	1
Panel (X)	1

STEP 17



Parts Required	Qty
Panel (B)	1
Panel (D)	1
Panel (F)	1
Panel (V)	1
Panel (X)	1

STEP 18



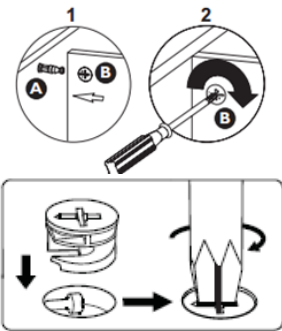
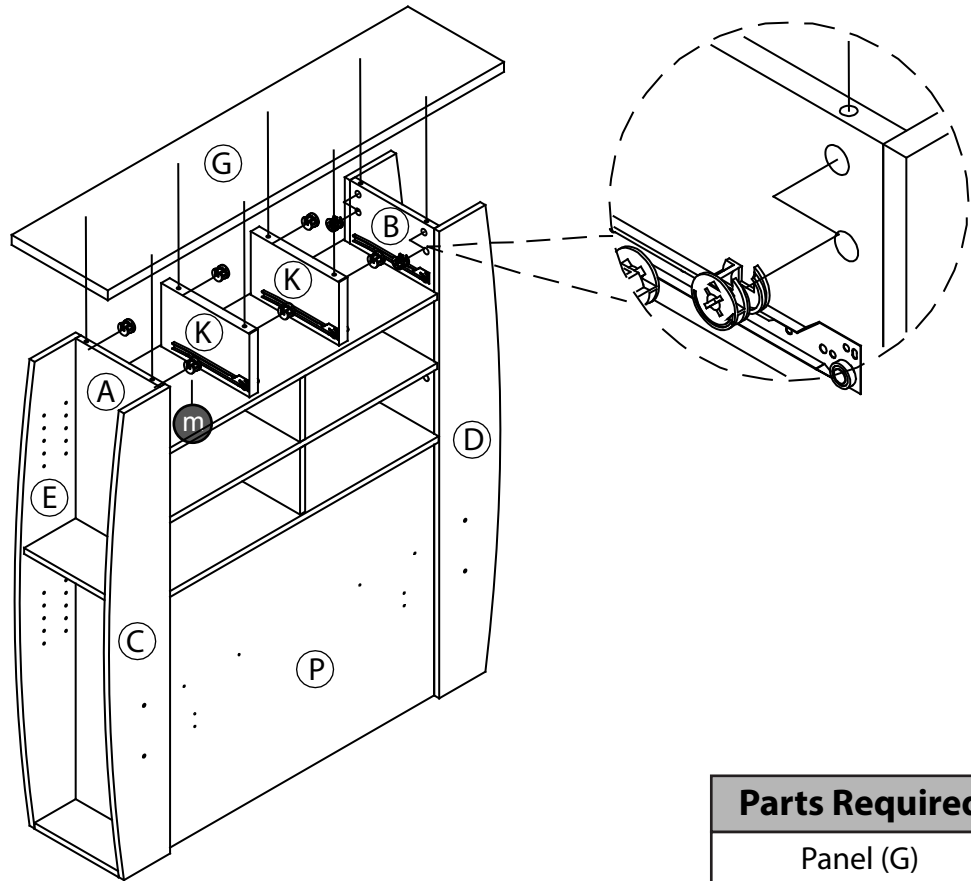
Parts Required	Qty
Panel (Z5)	1

STEP 19

m



8 x



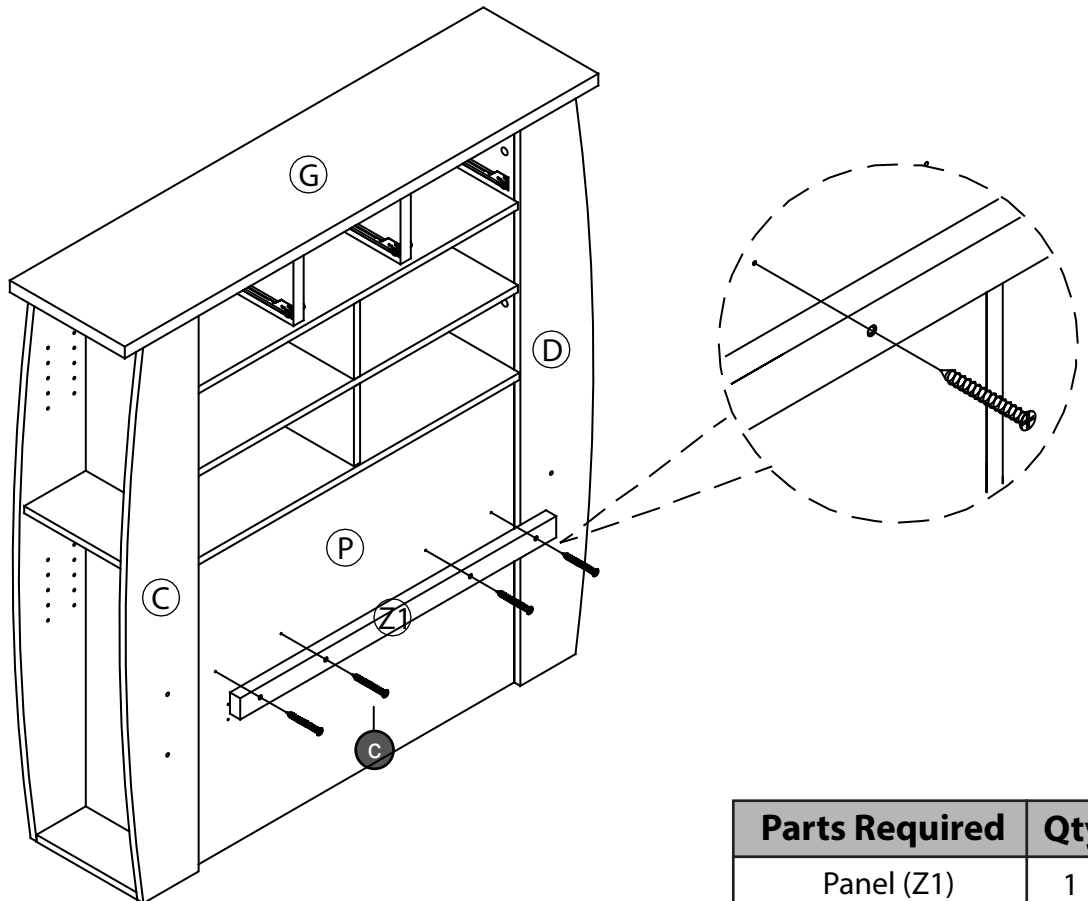
Parts Required	Qty
Panel (G)	1

STEP 20

G



4 x

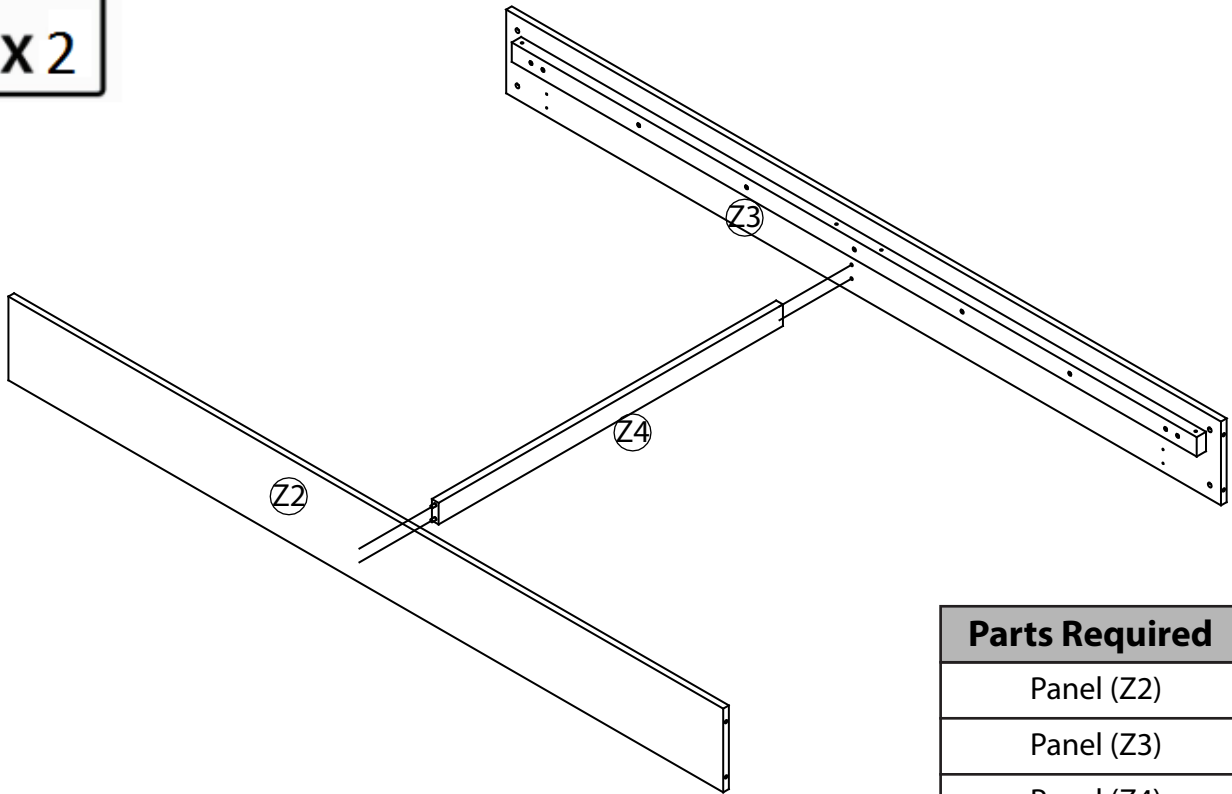


Parts Required	Qty
Panel (Z1)	1

STEP 21



2 people are required for this step

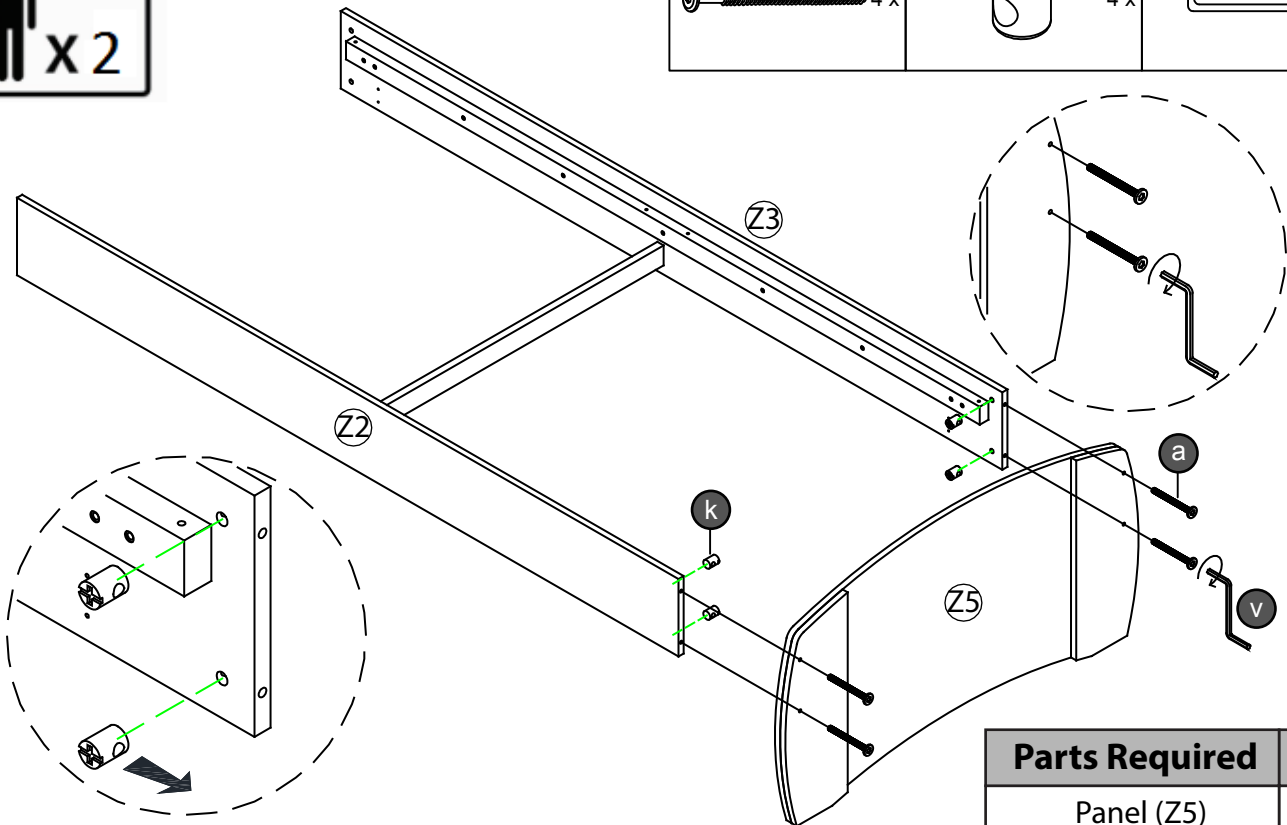


Parts Required	Qty
Panel (Z2)	1
Panel (Z3)	1
Panel (Z4)	1

STEP 22



2 people are required for this step

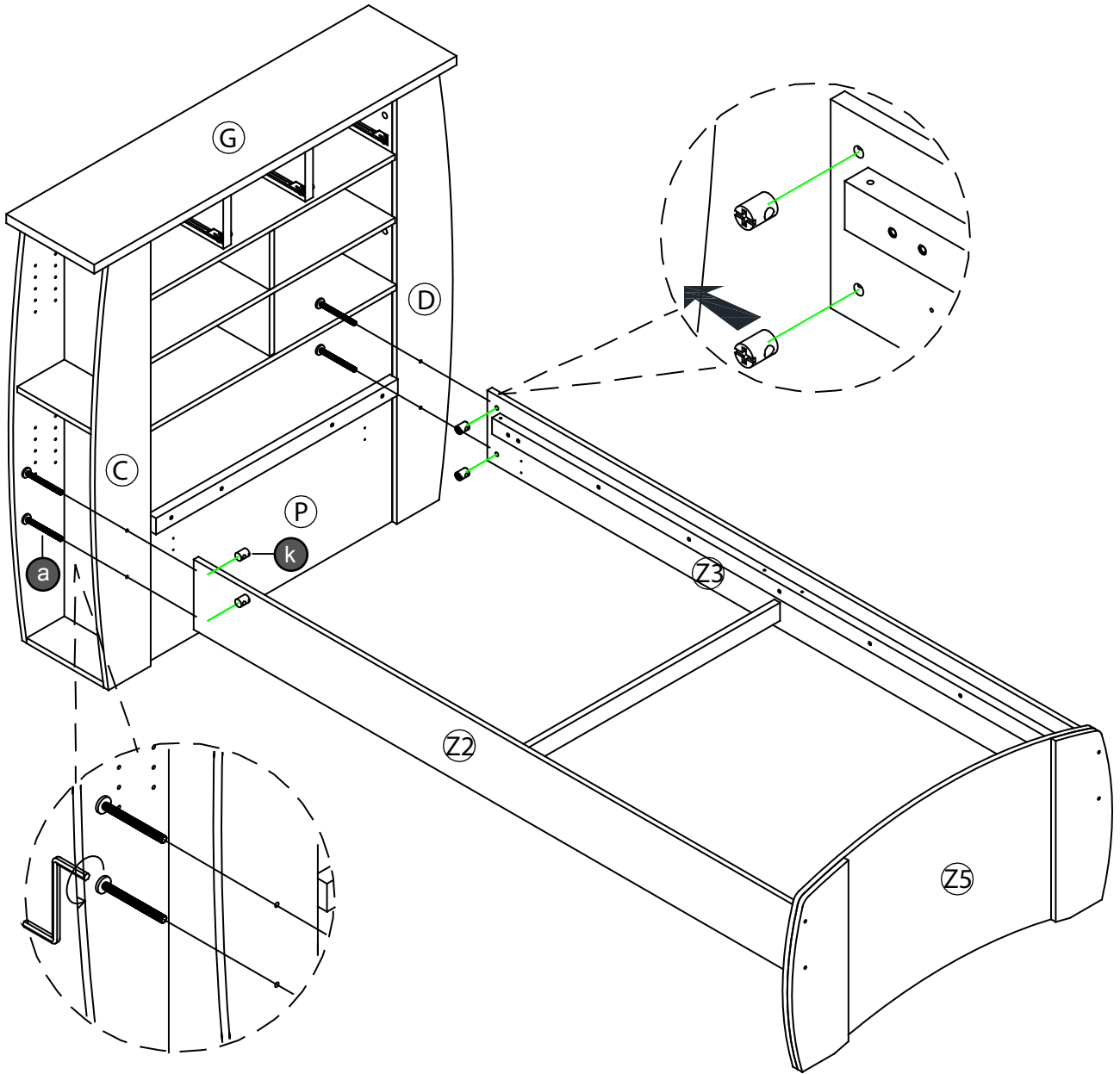
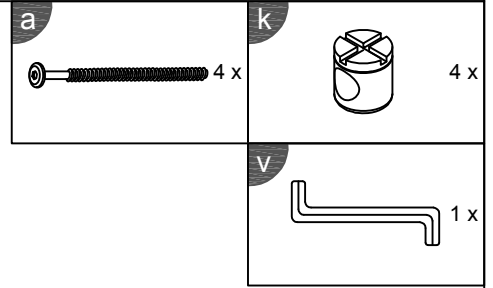


Parts Required	Qty
Panel (Z5)	1

STEP 23

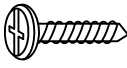


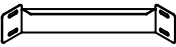


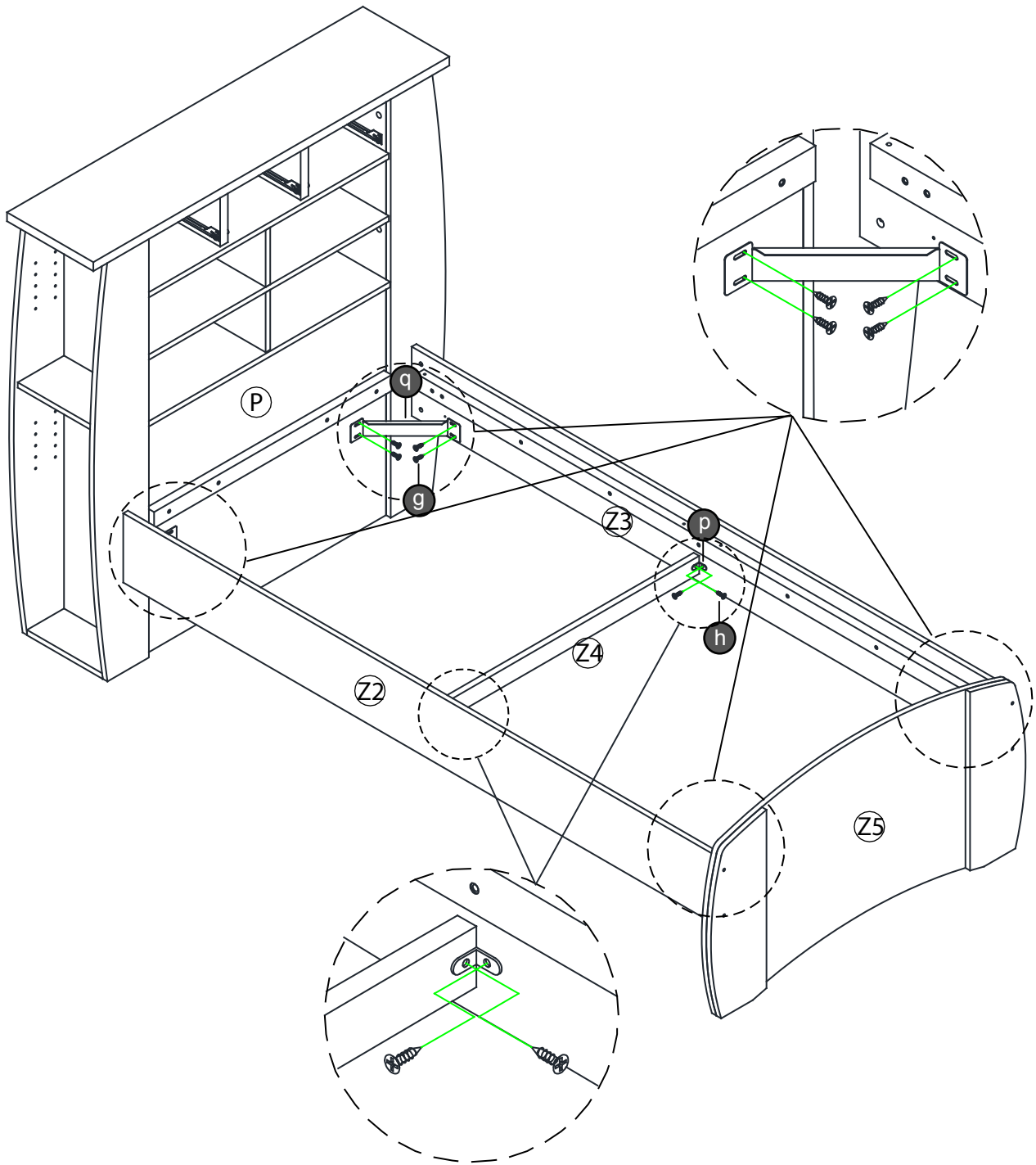
2 people are required for this step



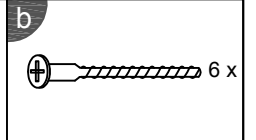
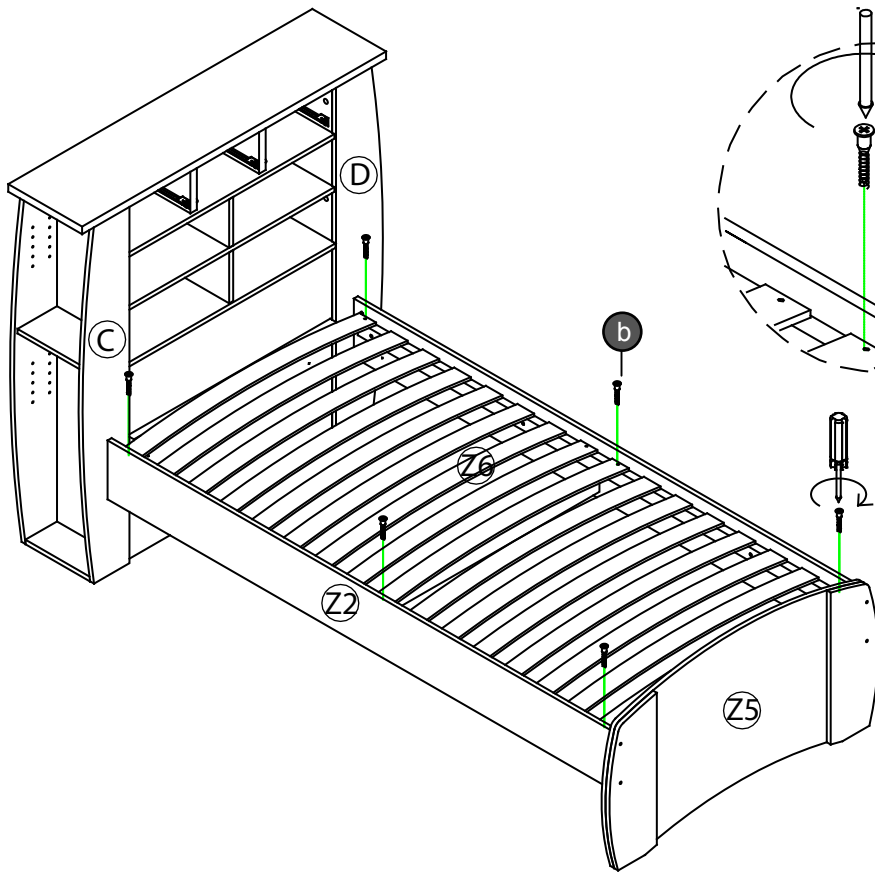
Parts Required	Qty
Panel (Z2)	1
Panel (Z3)	1
Panel (Z4)	1
Panel (Z5)	1

STEP 24

g  16 x	h  4 x
p  2 x	q  4 x

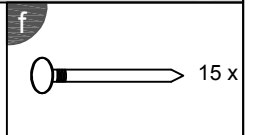
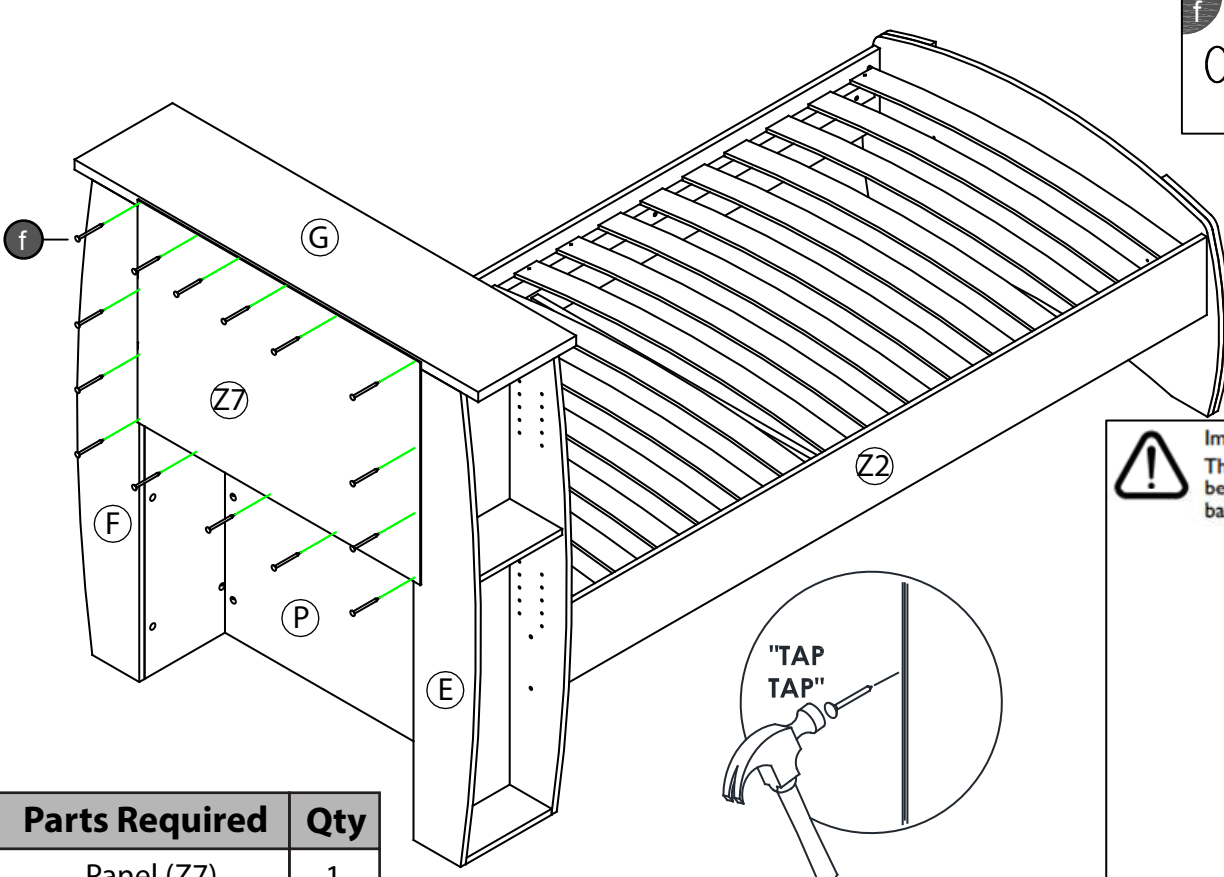


STEP 25



Parts Required	Qty
Panel (Z6)	16

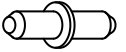
STEP 26

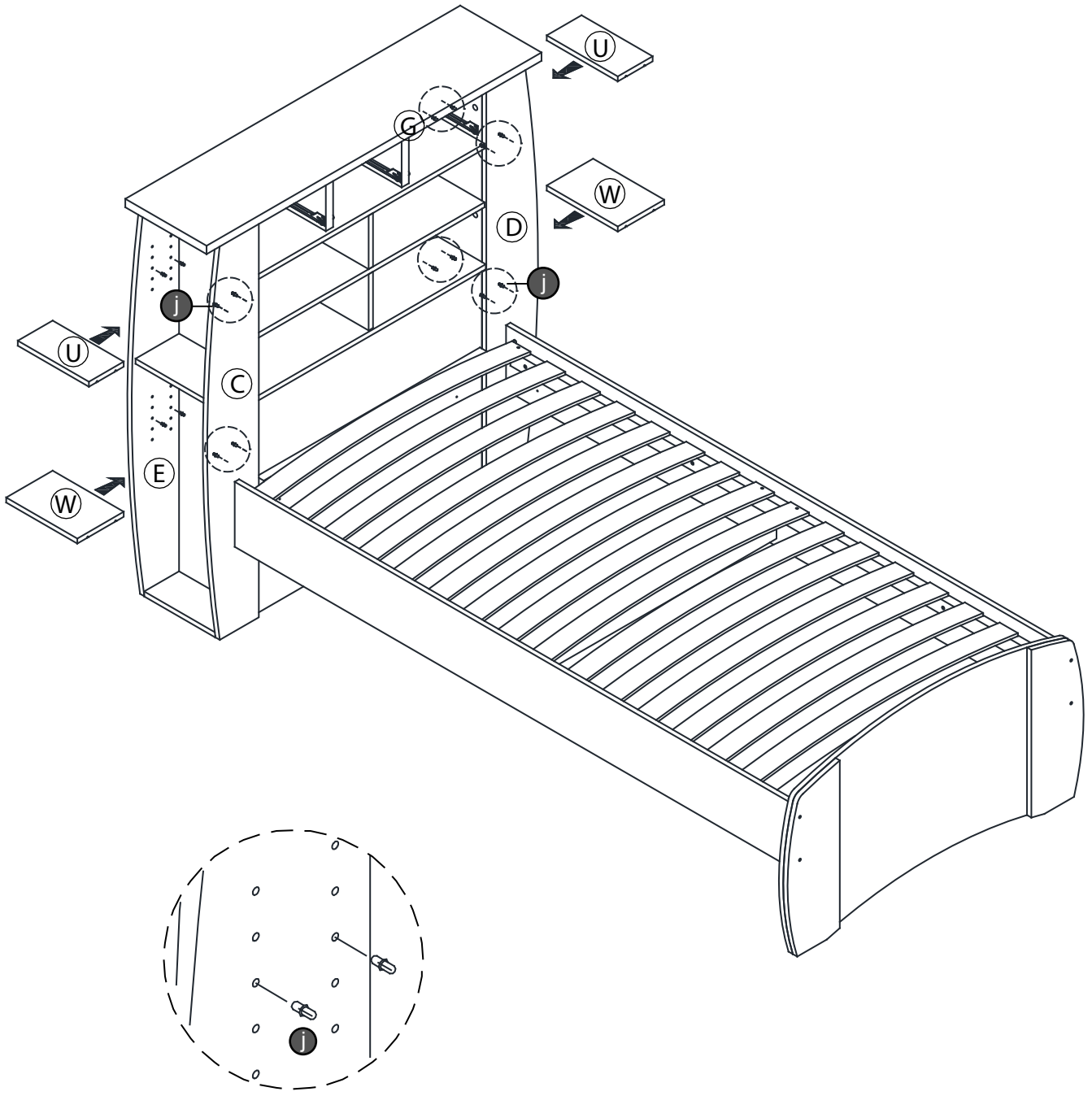


Parts Required	Qty
Panel (Z7)	1

Important:
The cabinet **MUST** be 'square' when the back is attached.

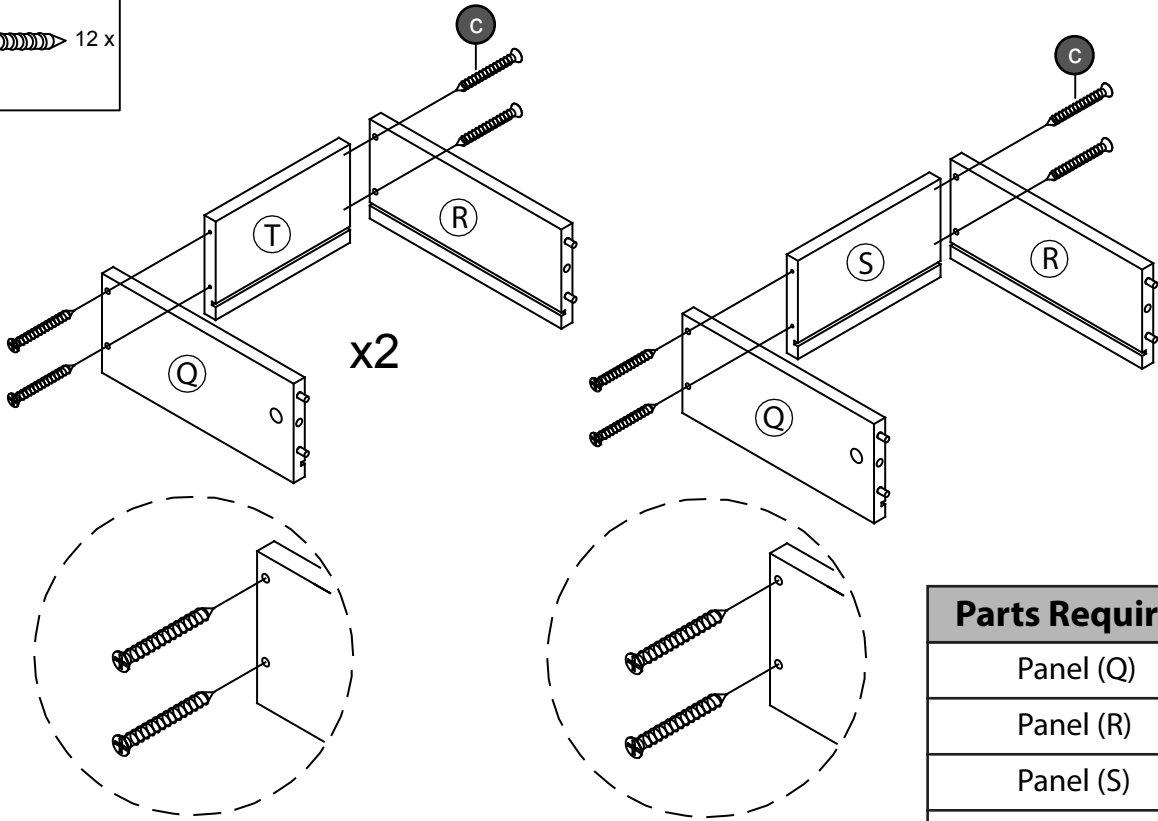
STEP 27

 16 x



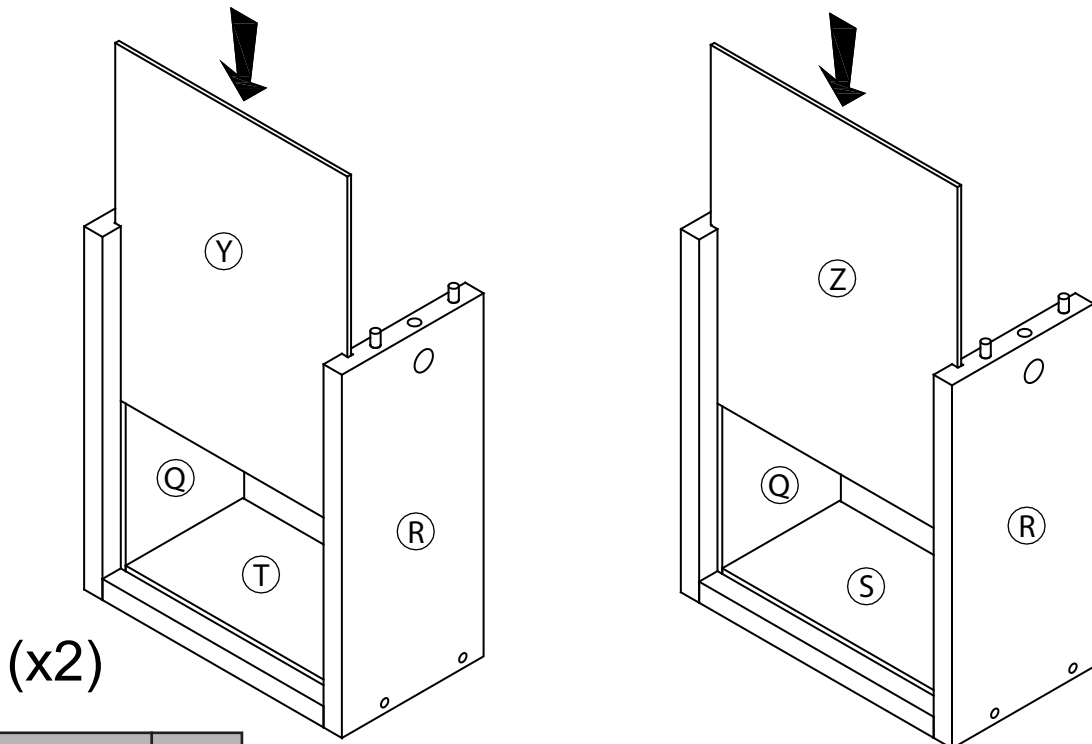
Parts Required	Qty
Panel (U)	2
Panel (W)	2

STEP 28



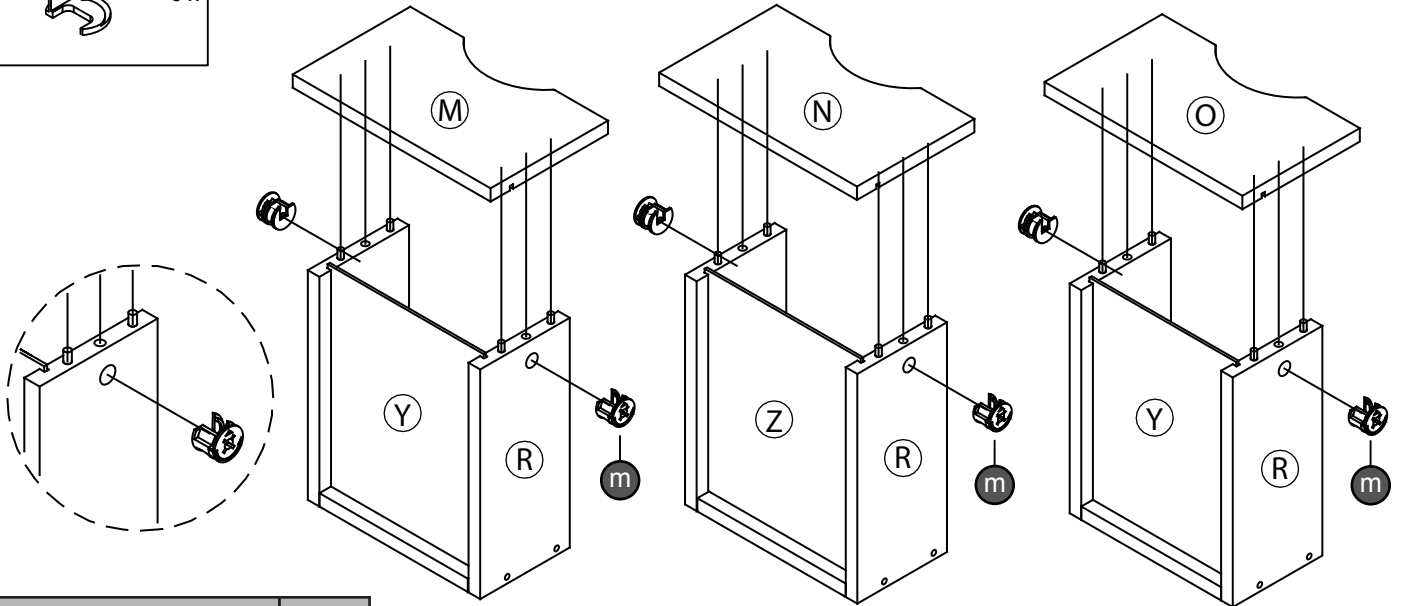
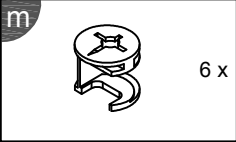
Parts Required	Qty
Panel (Q)	3
Panel (R)	3
Panel (S)	1
Panel (T)	2

STEP 29

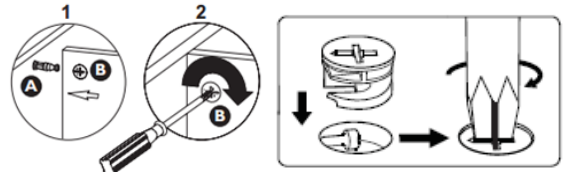


Parts Required	Qty
Panel (Y)	2
Panel (Z)	1

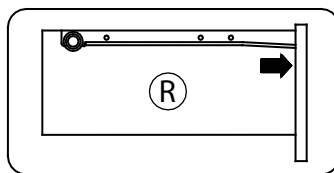
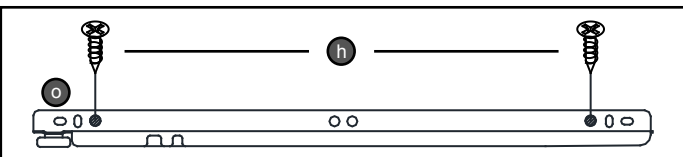
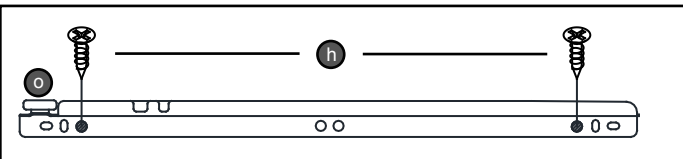
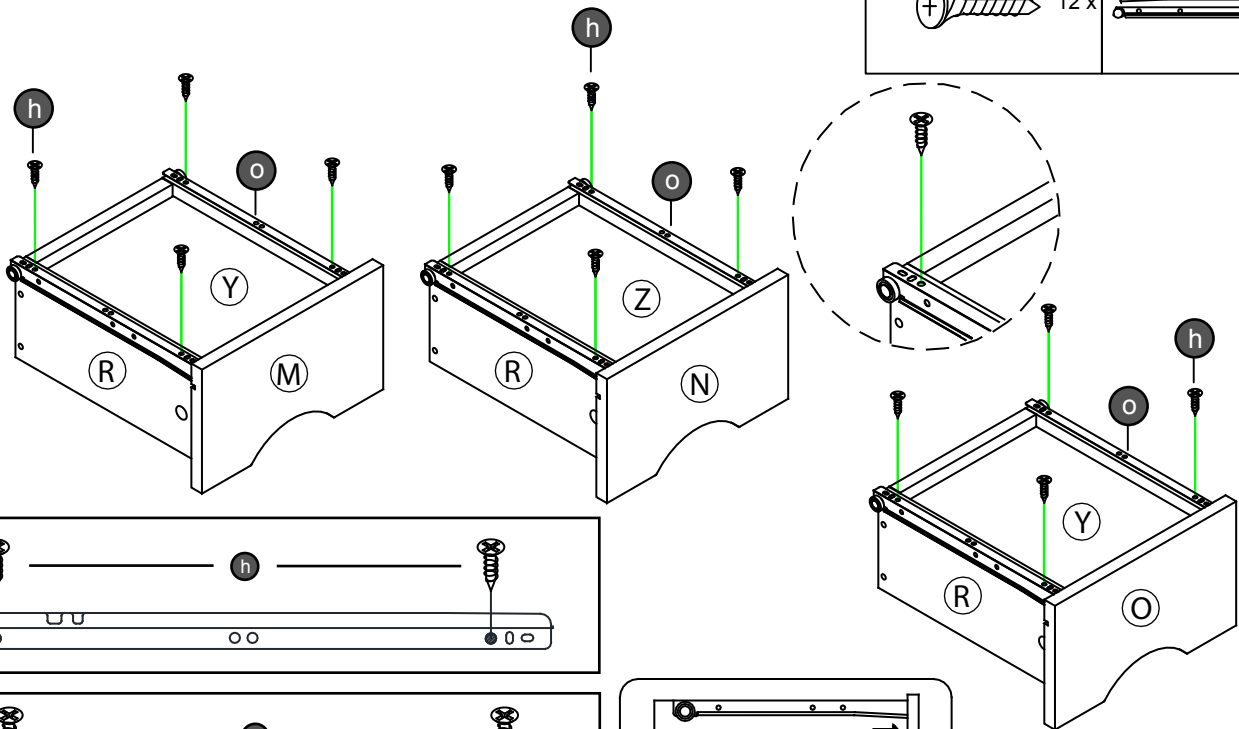
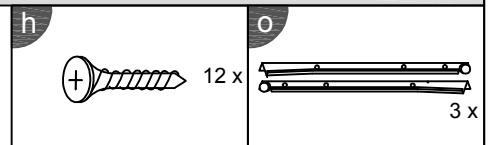
STEP 30



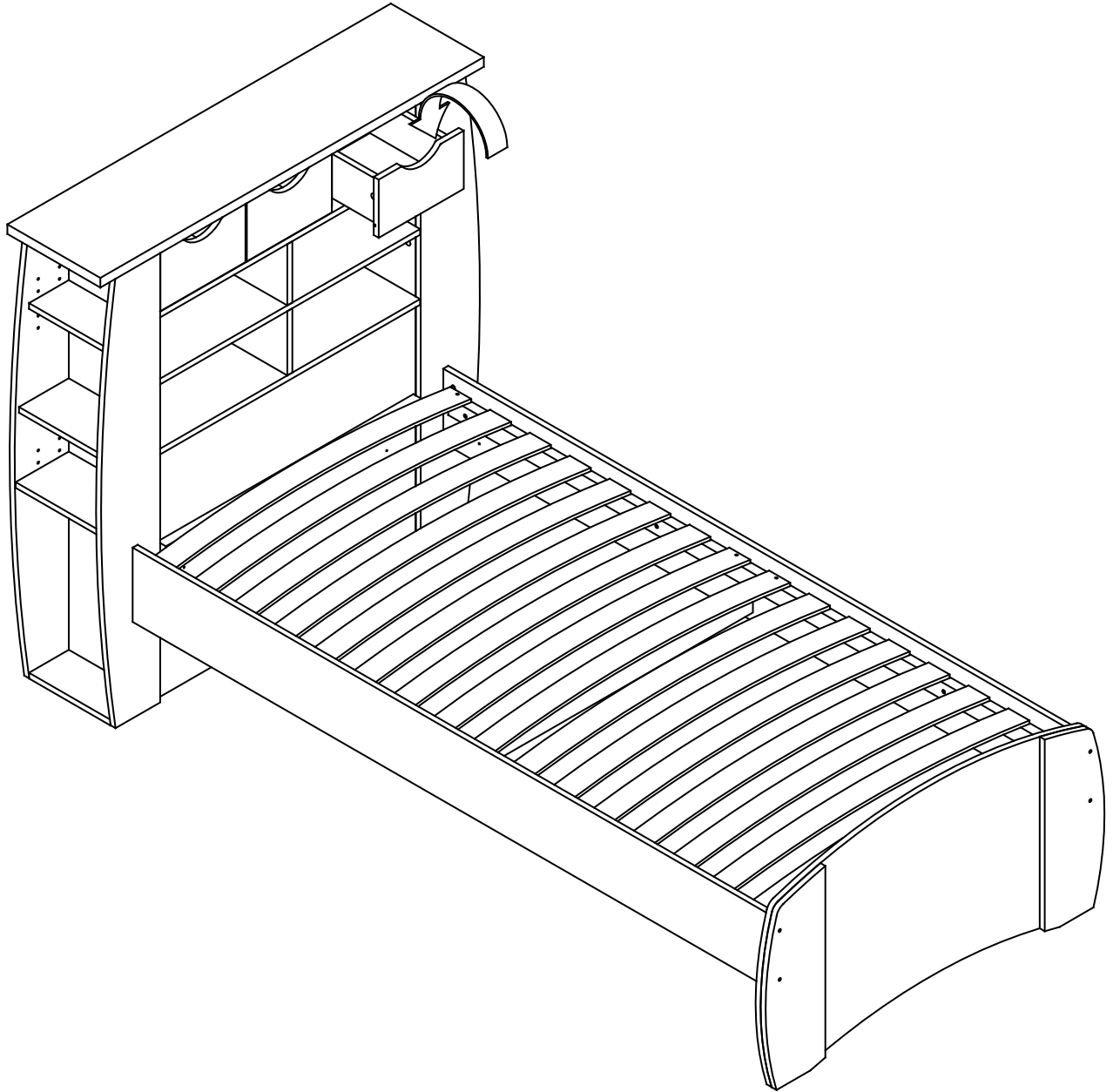
Parts Required	Qty
Panel (M)	1
Panel (N)	1
Panel (O)	1



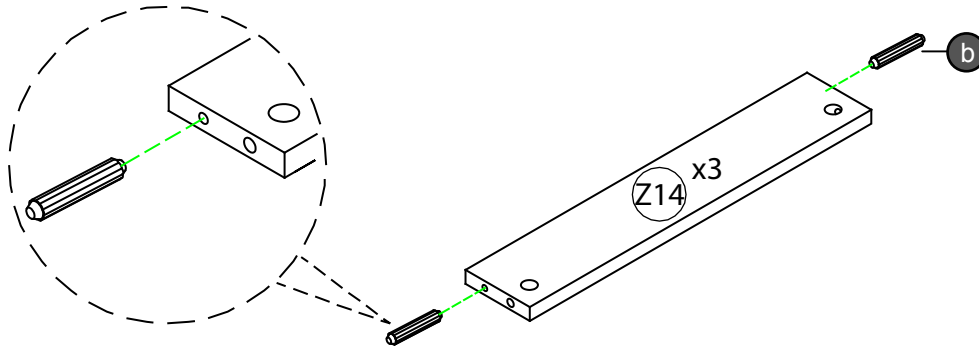
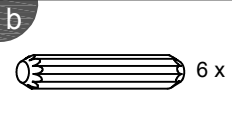
STEP 31



STEP 32

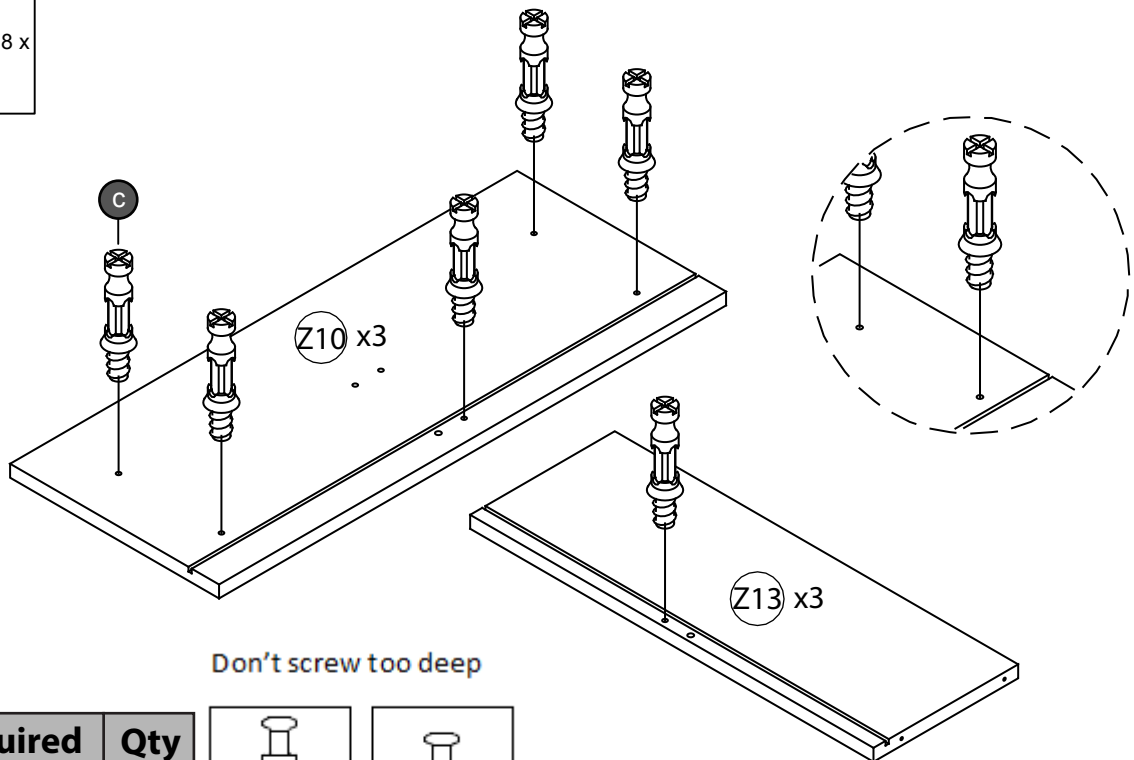
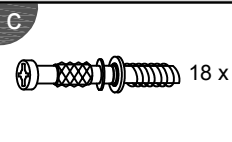


STEP 33

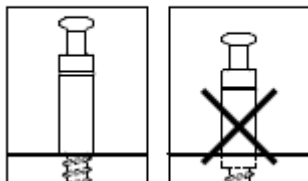


Parts Required	Qty
Panel (Z14)	3

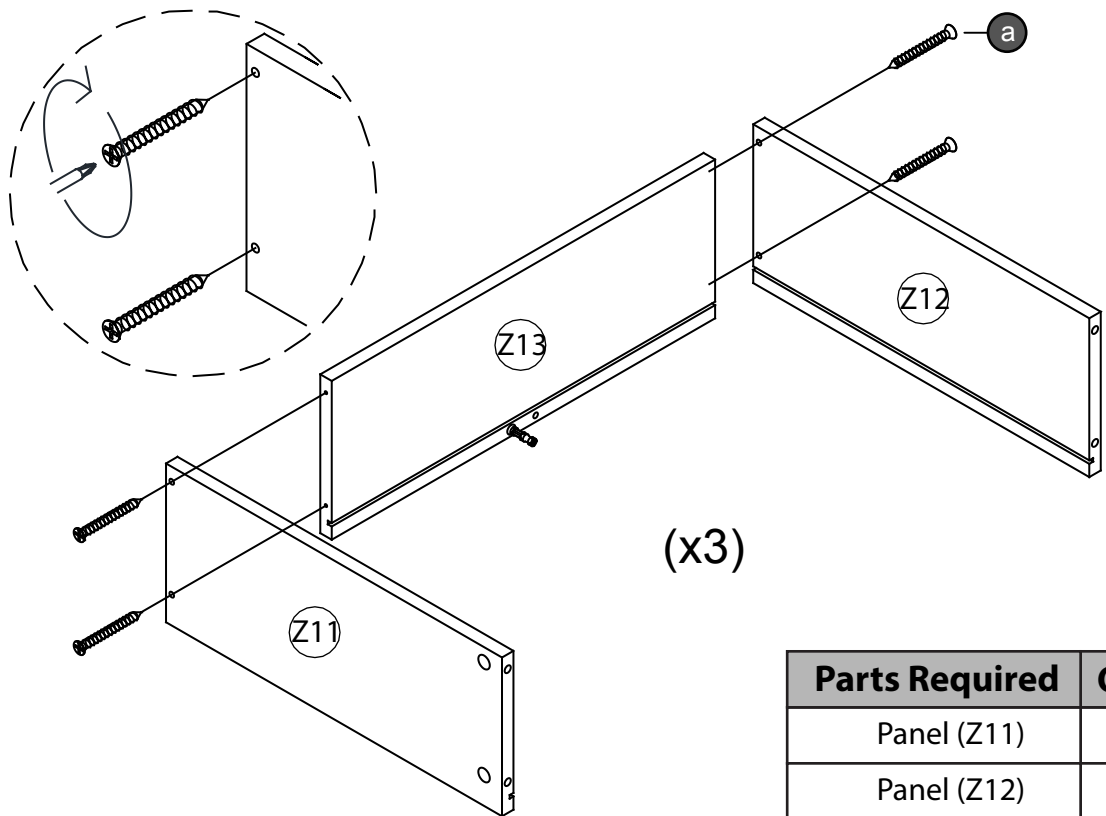
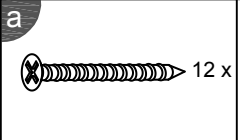
STEP 34



Parts Required	Qty
Panel (Z10)	3
Panel (Z13)	3

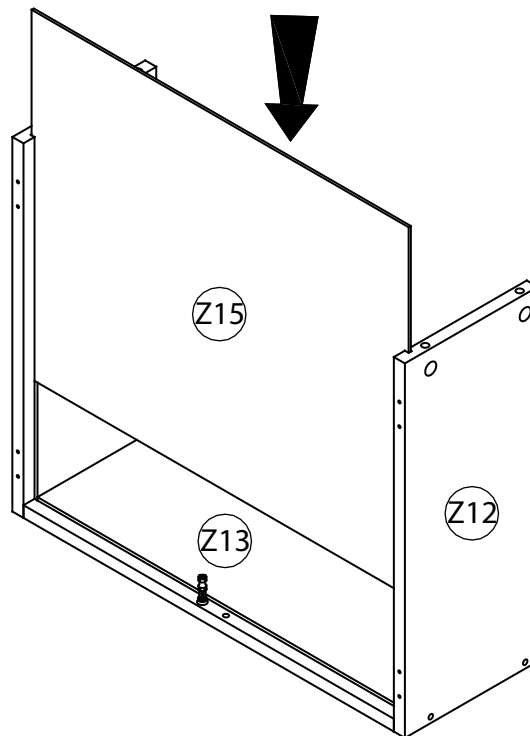


STEP 35

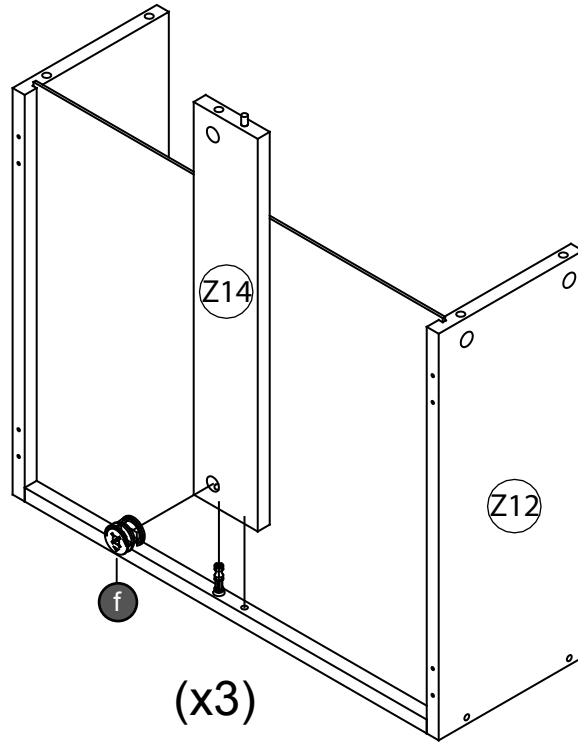
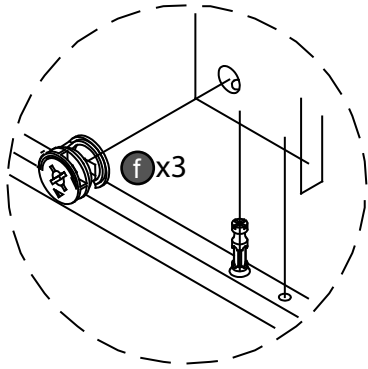


Parts Required	Qty
Panel (Z11)	3
Panel (Z12)	3
Panel (Z13)	3

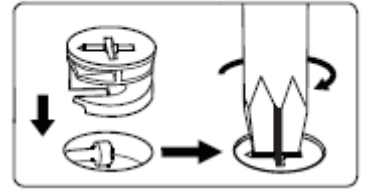
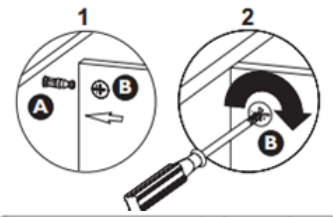
STEP 36



STEP 37

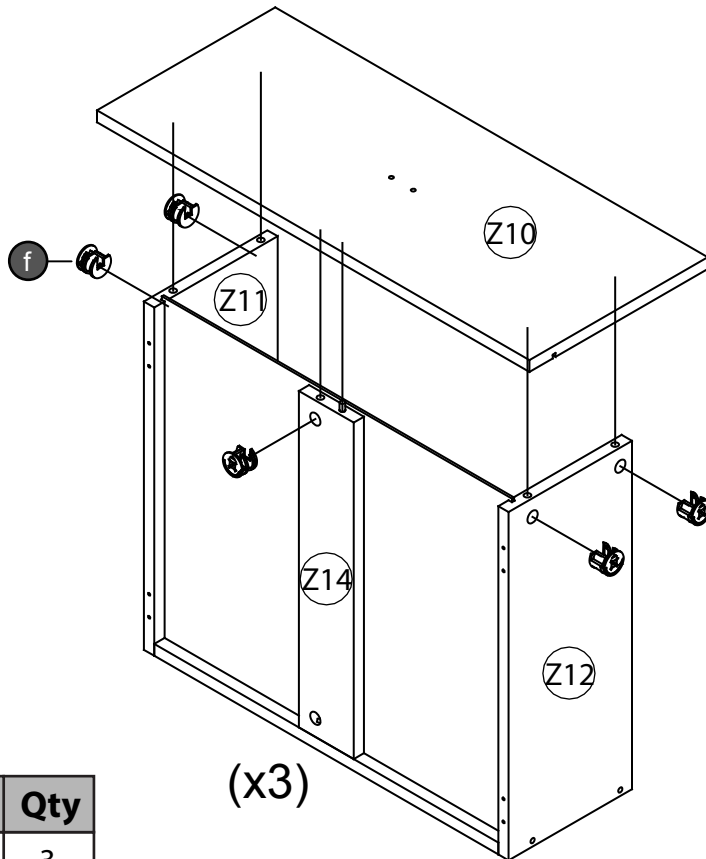
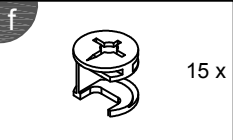


(x3)

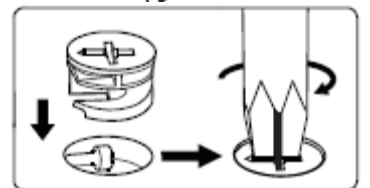
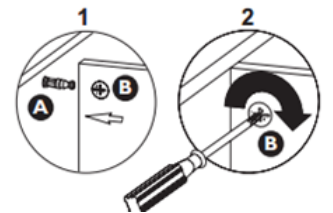
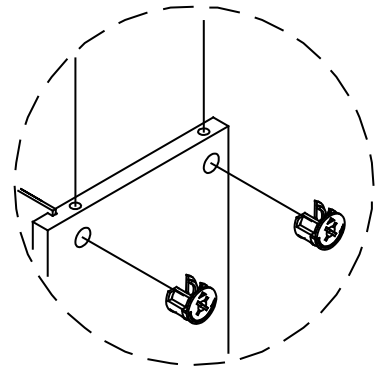


Parts Required	Qty
Panel (Z14)	3

STEP 38

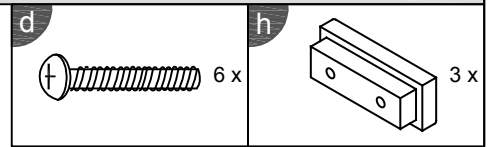
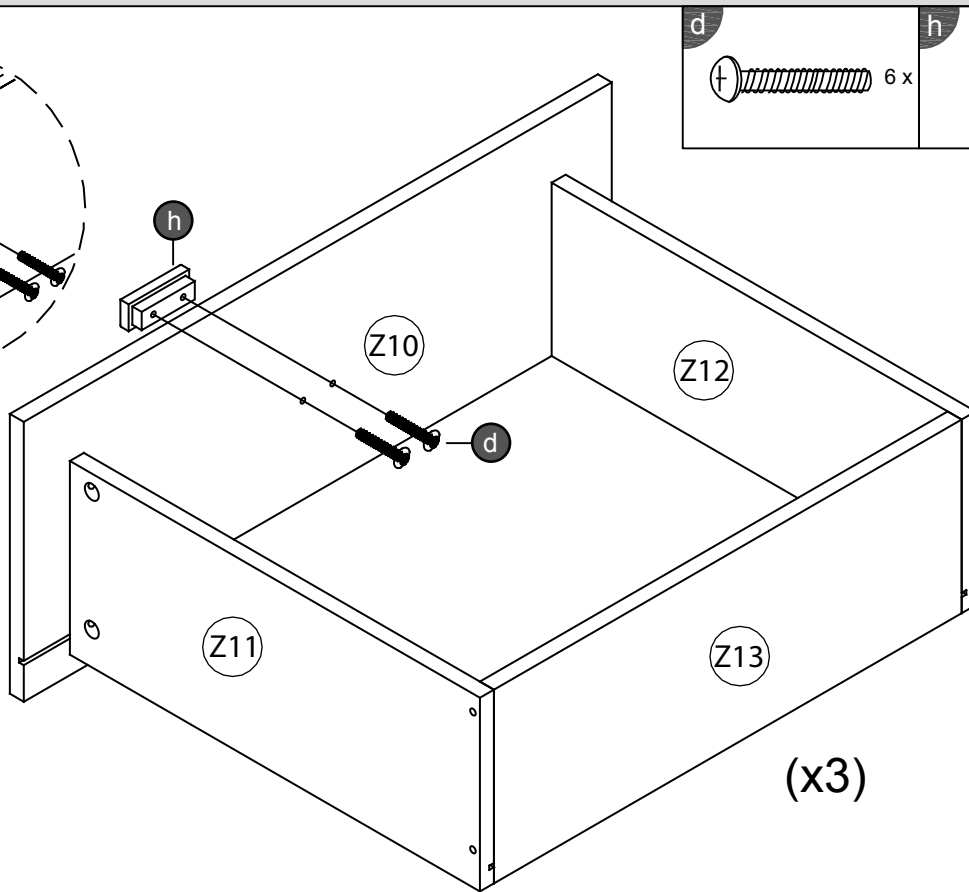
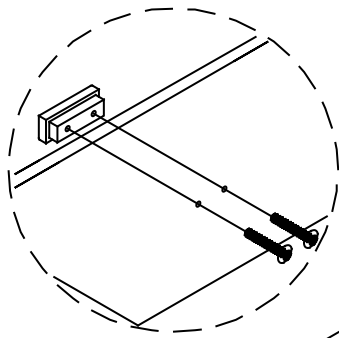


(x3)

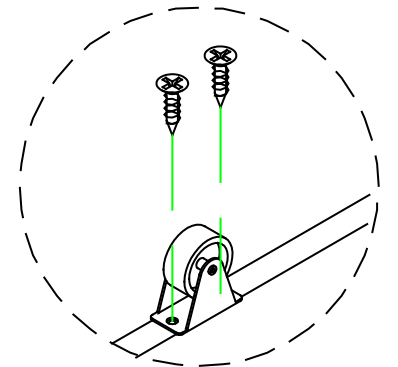
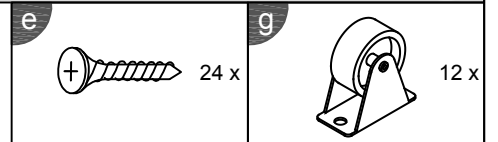
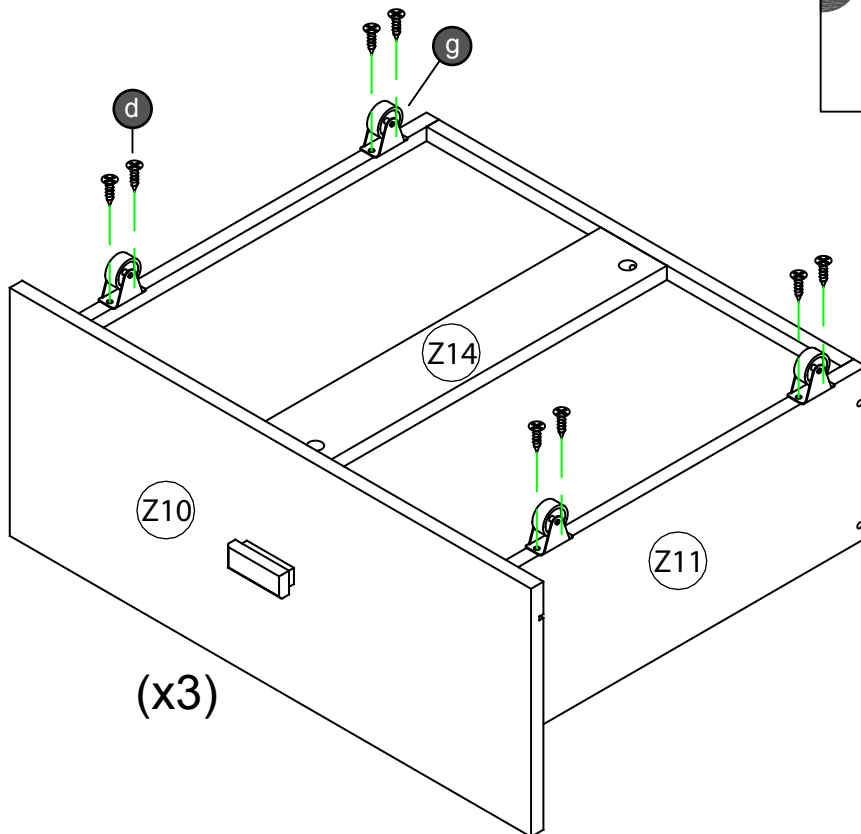


Parts Required	Qty
Panel (Z10)	3

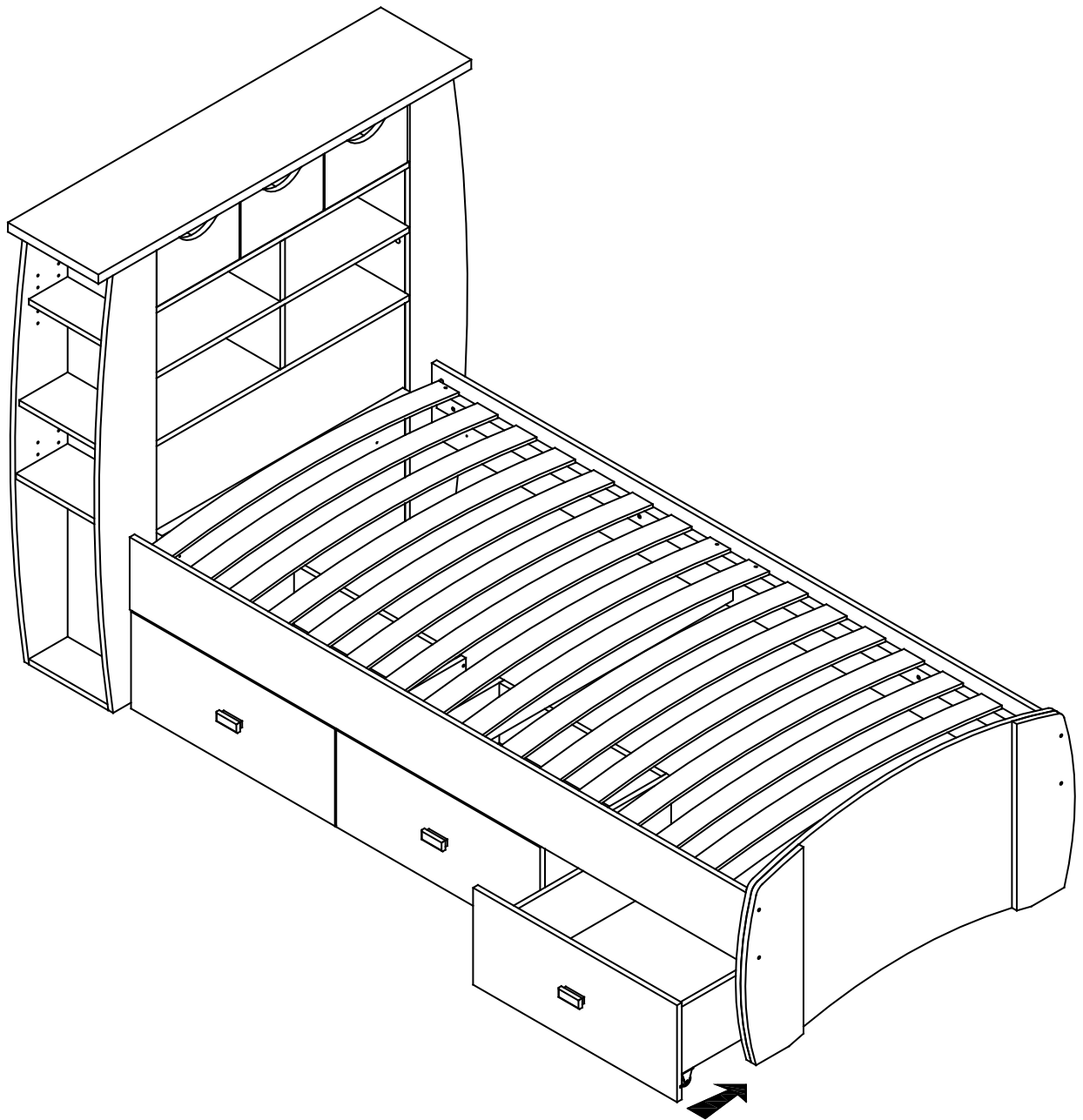
STEP 39



STEP 40



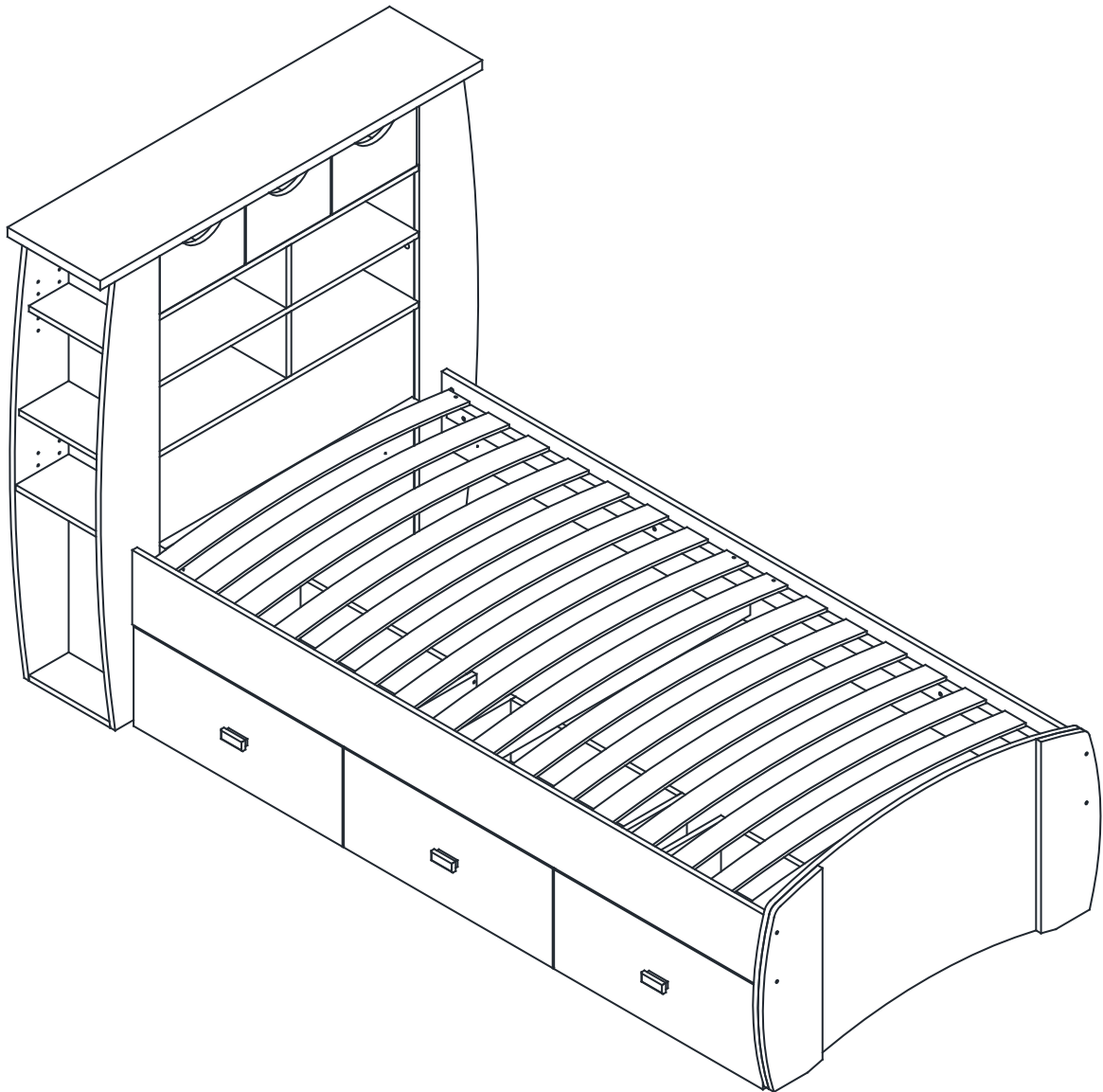
STEP 41



Complete Assembly

Your **SYDNEY SINGLE BED WITH 3 UNDER DRAWER** is now completely assembled

Periodically check to ensure that the components are in their proper position, free from damage. Also, make sure the connectors are tight and secure.



Keep instructions for future reference

