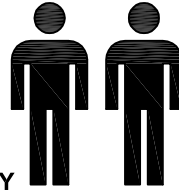


# DESCRIPTION: HEXHAM 4FT6 BED

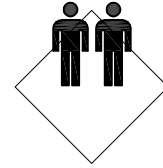
**1 hrs**

APPROXIMATE ASSEMBLY TIME

2 PERSON ASSEMBLY



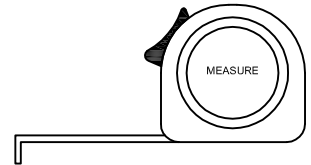
FLOOR AREA  
2.5M X 2.5M



CEILING HEIGHT  
2.5M

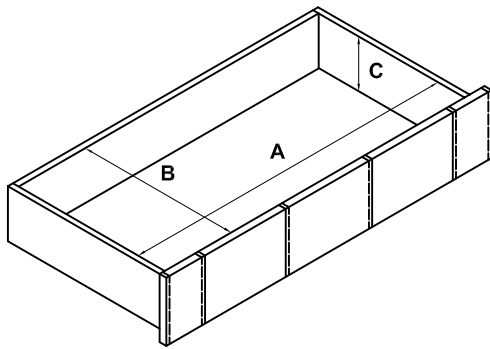
REQUIRED ASSEMBLY SPACE

REQUIRED ASSEMBLY TOOLS

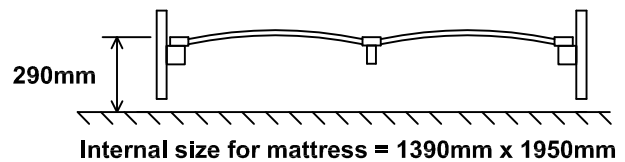
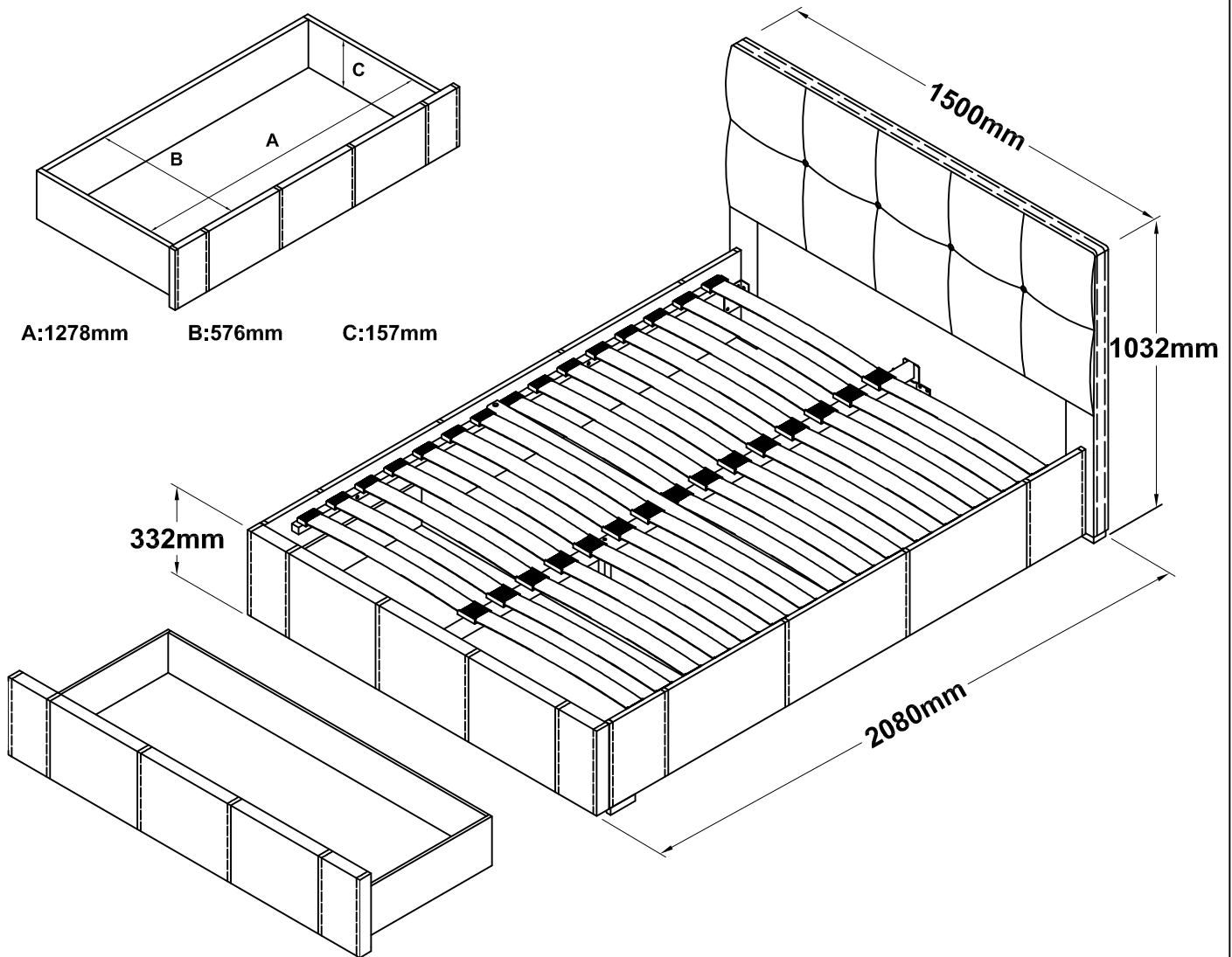


Internal size of drawer:

ASSEMBLED DIMENSIONS



A:1278mm B:576mm C:157mm

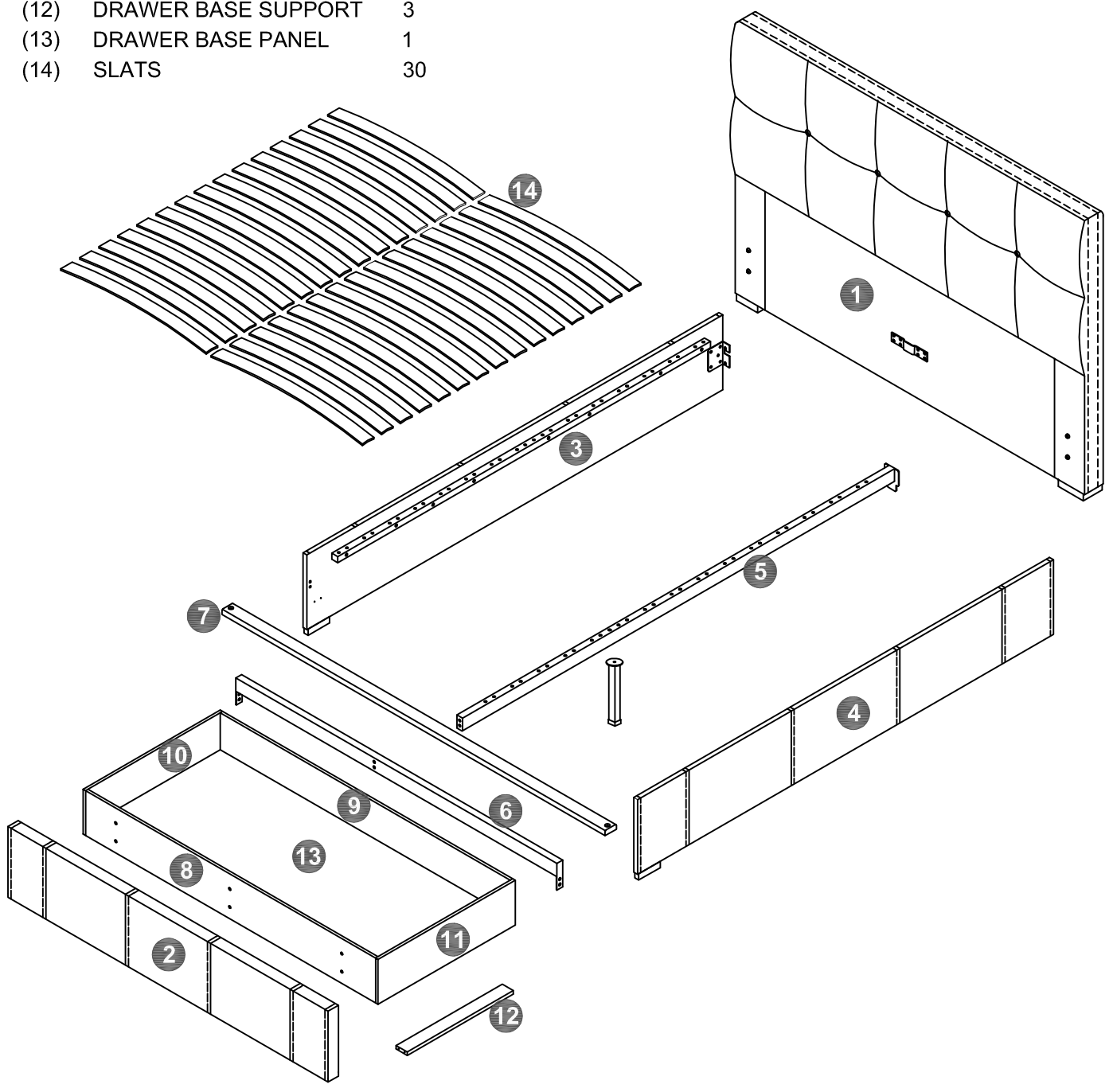


'Original Instruction'

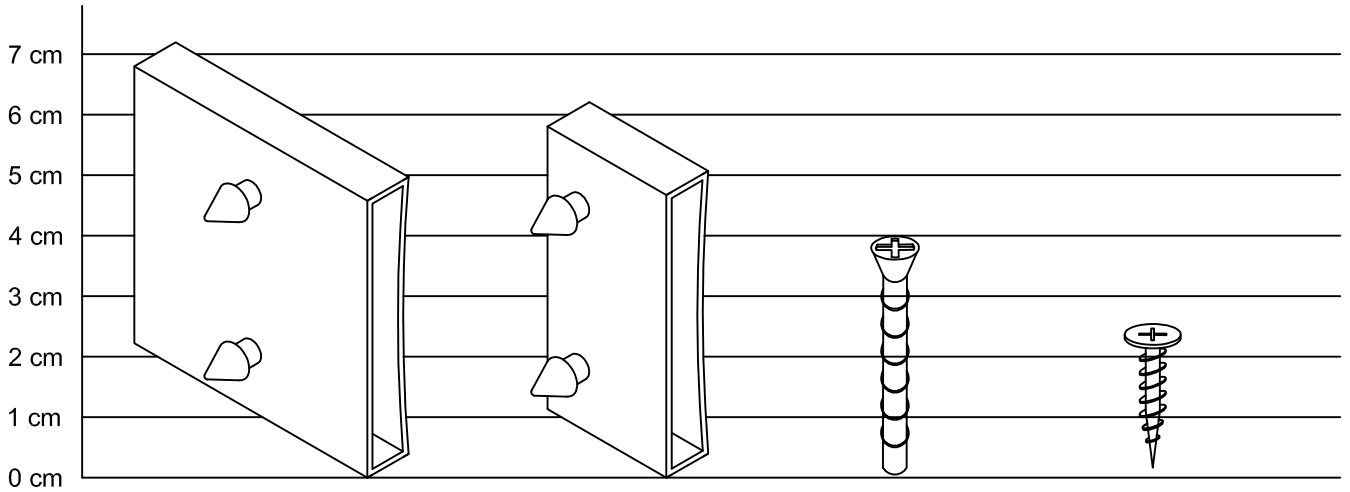
# PARTS LIST

NO.	PART LISTS	QTY
(1)	HEADBOARD	1
(2)	FOOTBOARD	1
(3)	SIDE RAIL (L)	1
(4)	SIDE RAIL (R)	1
(5)	CENTER RAIL	1
(6)	CROSS RAIL	1
(7)	TOP TIE RAIL	1
(8)	DRAWER FRONT PANEL	1
(9)	DRAWER REAR PANEL	1
(10)	DRAWER SIDE (L)	1
(11)	DRAWER SIDE (R)	1
(12)	DRAWER BASE SUPPORT	3
(13)	DRAWER BASE PANEL	1
(14)	SLATS	30

CARTON 1 CONSISTS OF PART : 1, 2, 6, 7, 8, 9, 10, 11, 12, 13 HARDWARE FOR DRAWER  
 CARTON 2 CONSISTS OF PART : 3, 4, 5, 6, HARDWARE  
 CARTON 3 CONSISTS OF PART : 14, SLATS CAPS



# HARDWARE LIST



**15x**

**A**

CENTER CAP

**30x**

**B**

END CAP

**20x**

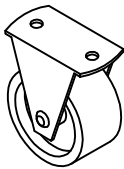
**C**

M5 x 35mm  
SCREW

**12x**

**D**

#8 x 3/4"  
RATTAN SCREW



**6x**

**E**

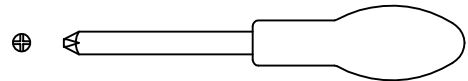
CASTOR  
(H 39mm)



**1x**

**F**

CENTER SUPPORT  
LEG (220mm)



**1x**

**G**

SCREW DRIVER  
(4" x 5mm)

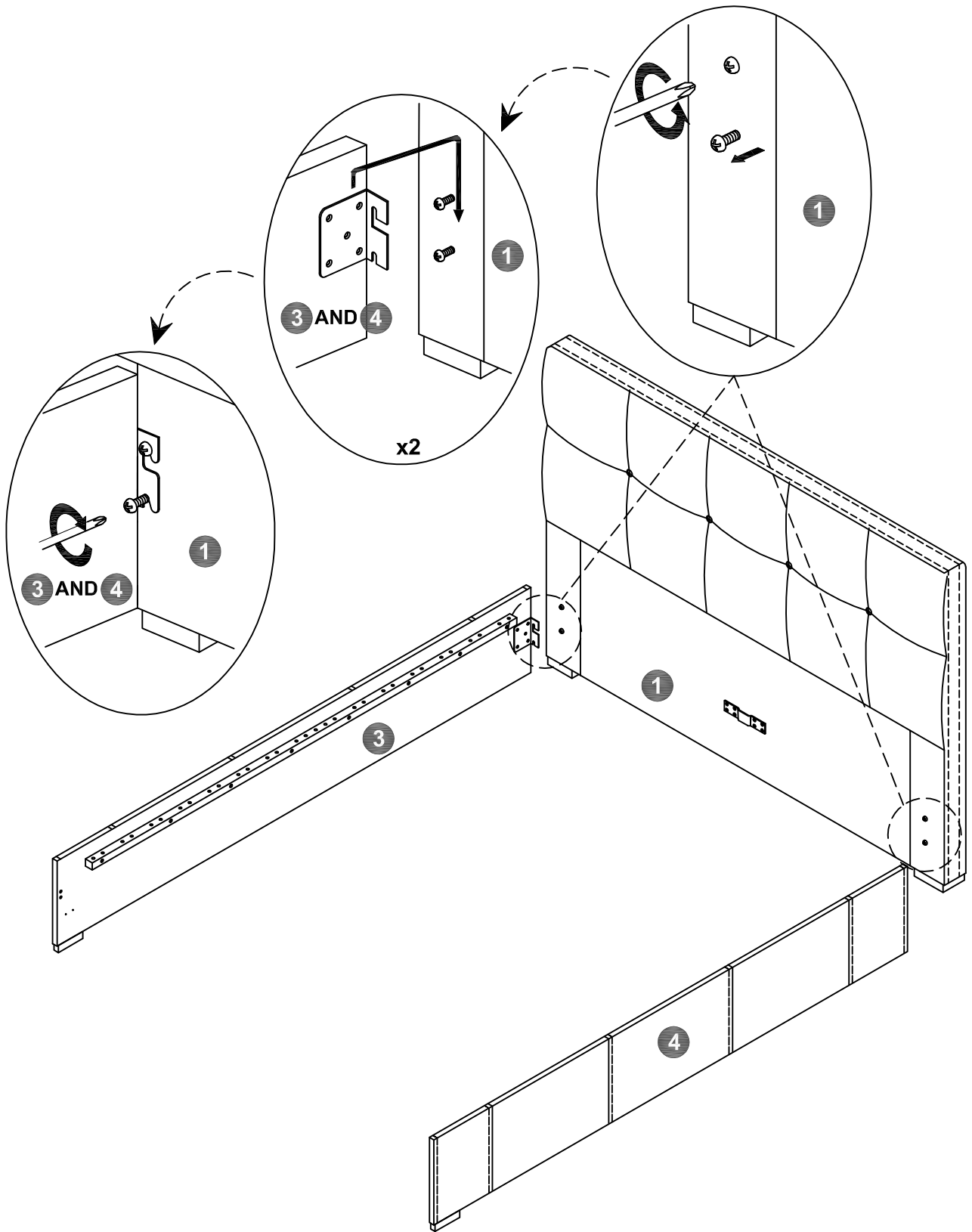
## **Top Tips before you start!**

1. Please check that all parts are present before you start the assembly of your furniture, as once assembled, the furniture is exempt from our home approval policy.
2. For ease and speed of assembly, we recommend that before you commence each step of the assembly, that you identify all the parts required for that step.
3. For larger items, please ensure that you have sufficient space and people (as indicated on page 1) to assemble your product safely.
4. We recommend that, where possible, all items are assembled near to the area in which they will be placed in use, to avoid moving the product unnecessarily once assembled.
5. For the protection of your furniture, particularly items of high gloss finish, we recommend that the product is placed on a protected surface during assembly to prevent any damage.
6. During assembly please take care not to over-tighten any fittings, as this may damage the product.
7. Keep the central leg above the ground. This is to prevent the leg from breaking should the bed be moved, and also allows some flex in the central rail when the bed in use.

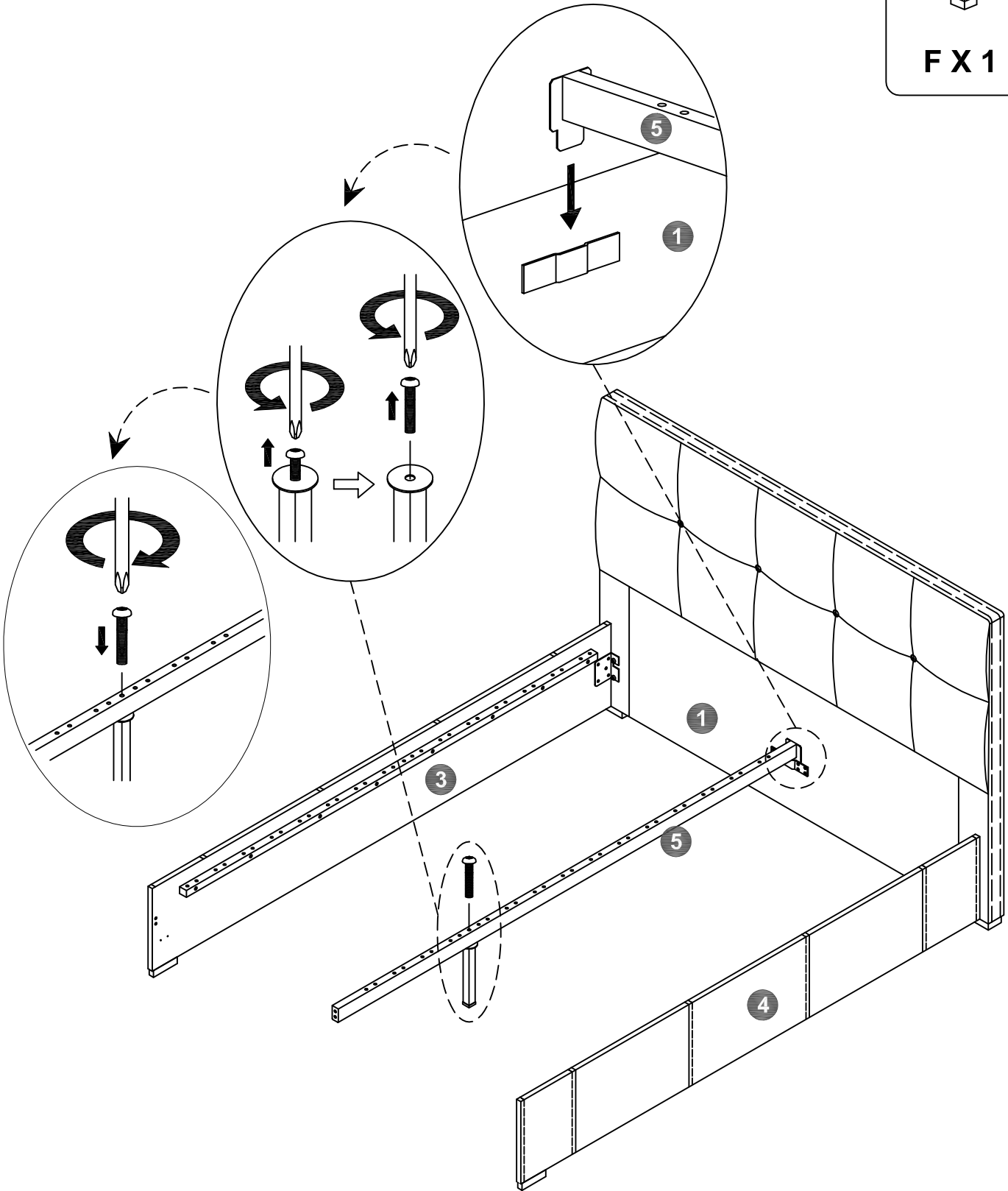
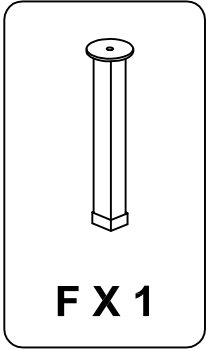
## **Care and Maintenance of your Furniture**

- Please periodically check all fittings and re-tighten as necessary.
- To clean your item, please use a damp cloth and wipe clean.
- Please do not jump on your furniture.
- Never allow any kind of liquid to remain on your furniture. Absorption can cause finishes to de-laminate.
- Periodically check the condition of your bed slats and plastic locating caps to ensure they are in good condition and have not become loose.
- This is very important when moving your bed. It is best to lift the bed, and never to drag it.
- Please kindly take account of your floor covering when assembling a new bed! If the floor offers little resistance (such as wood or laminate) then it is recommended to use rug or similar be placed under each leg.

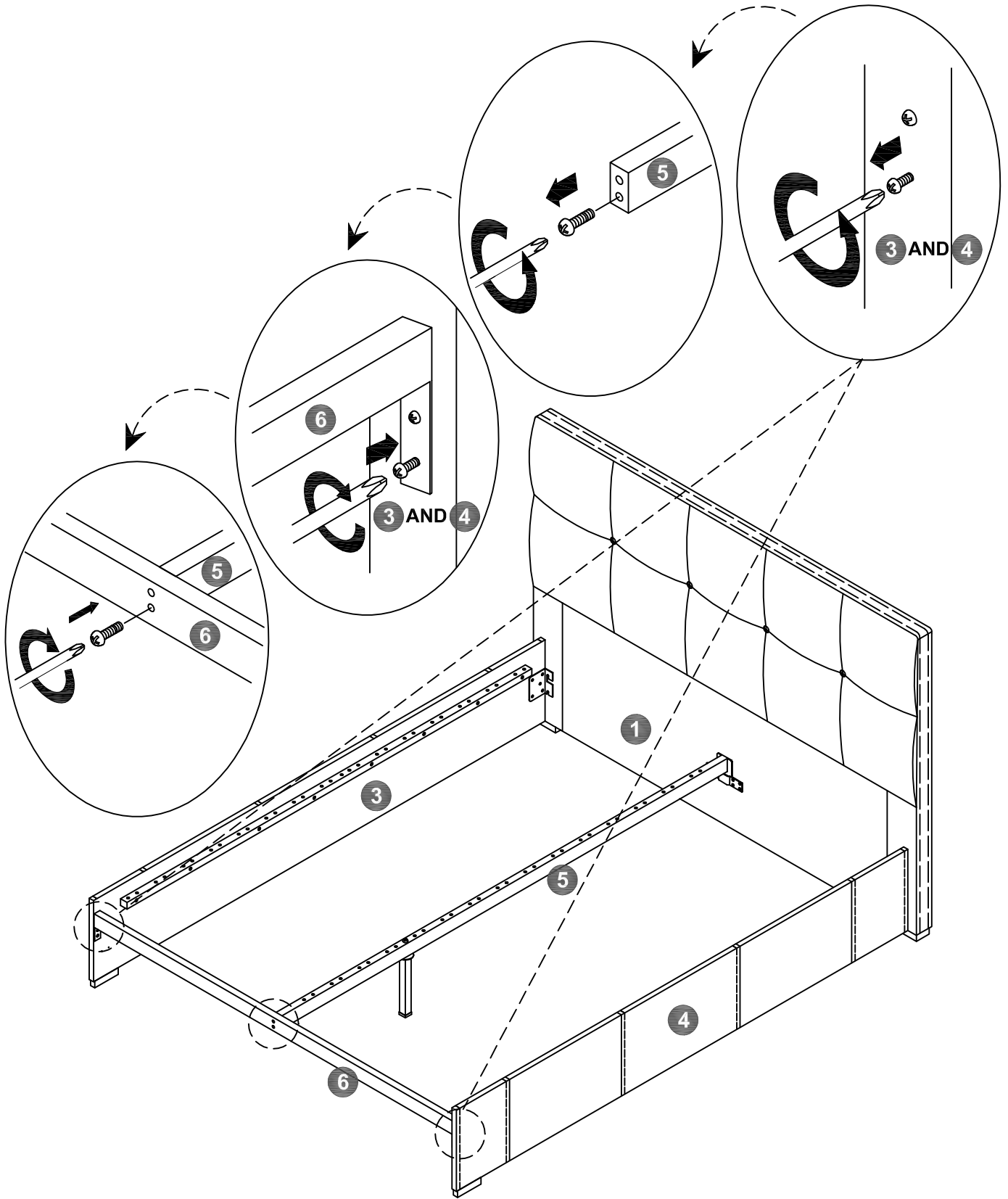
# STEP 1



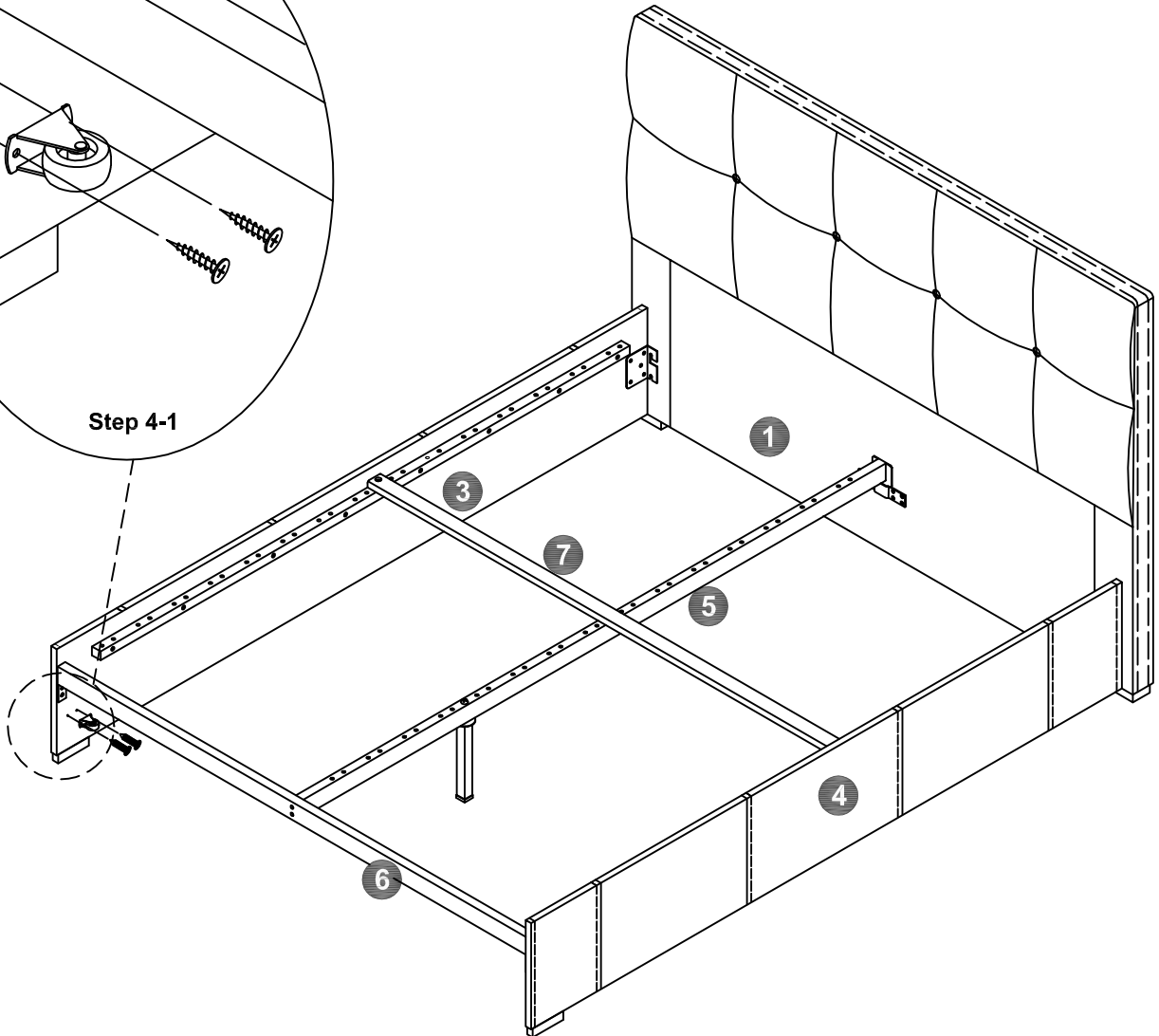
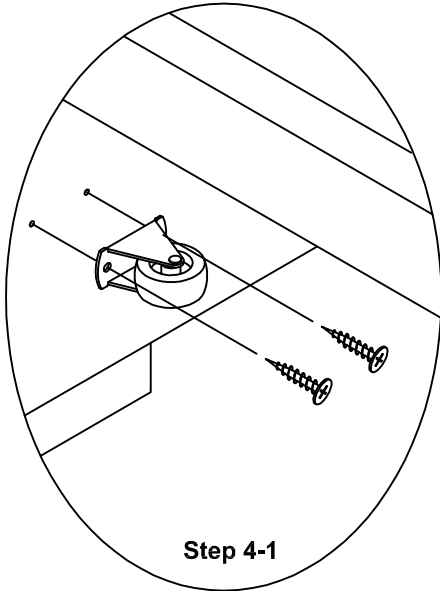
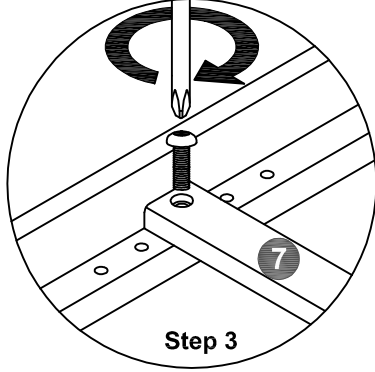
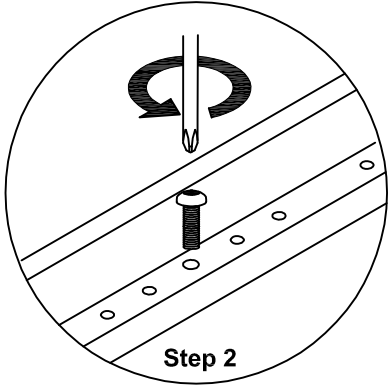
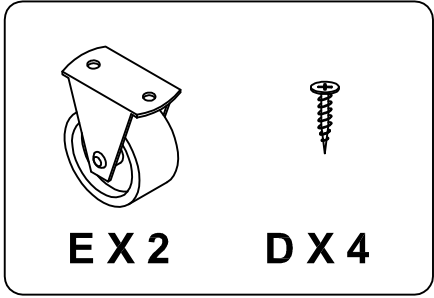
**STEP 2**



# STEP 3

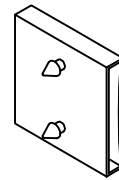


# STEP 4





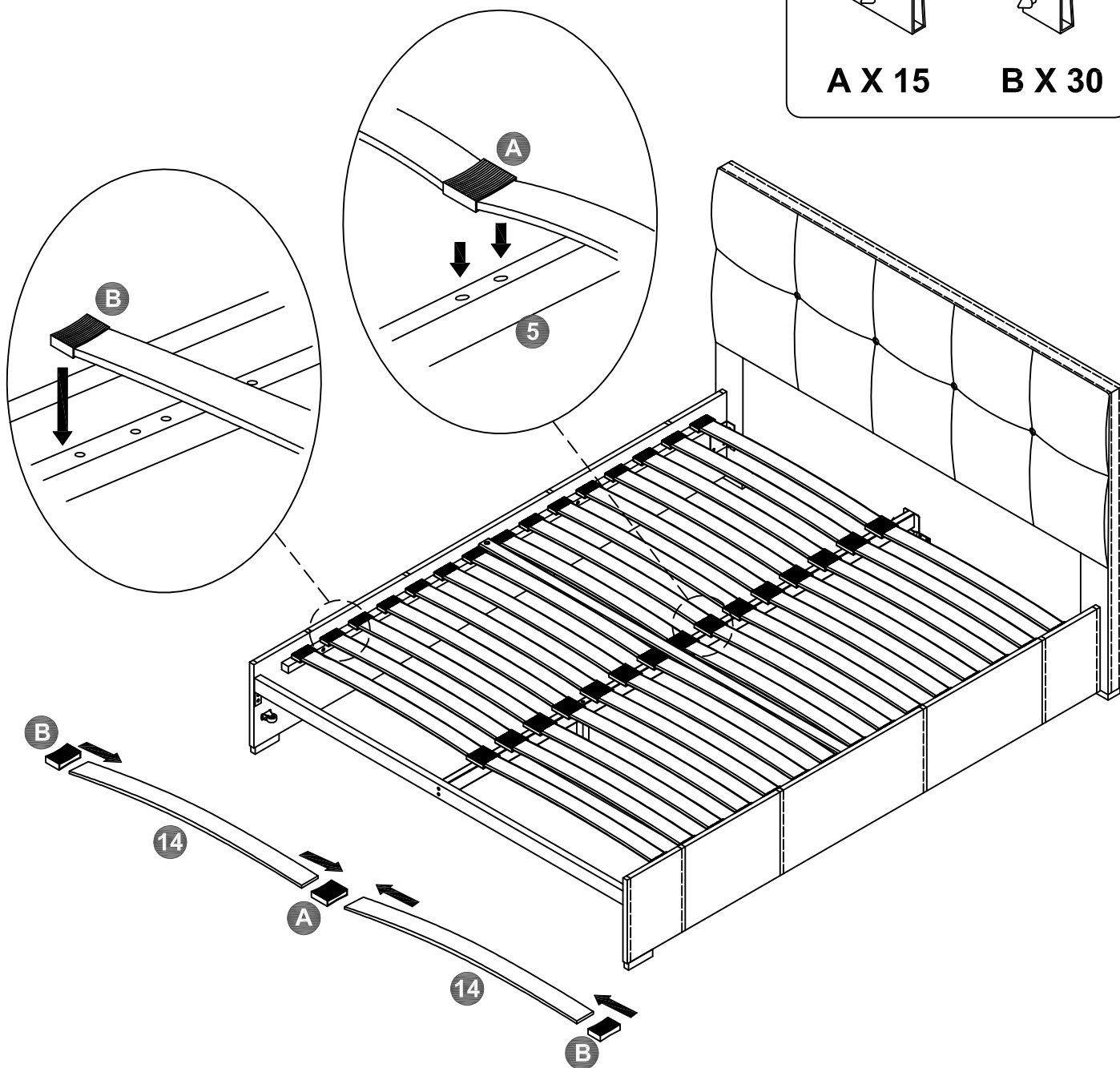
# STEP 5



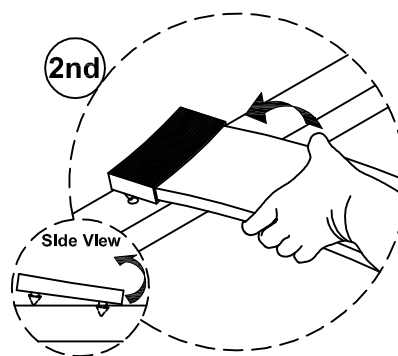
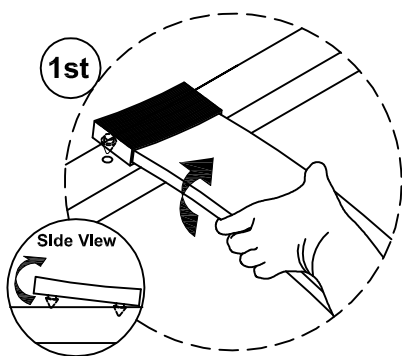
A X 15



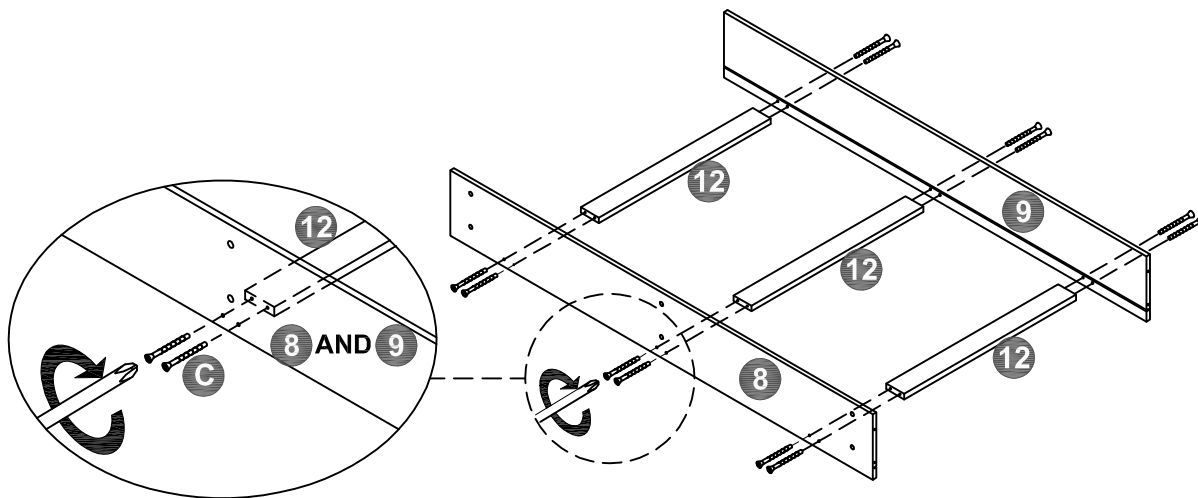
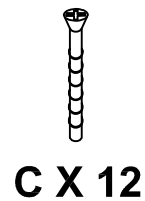
B X 30



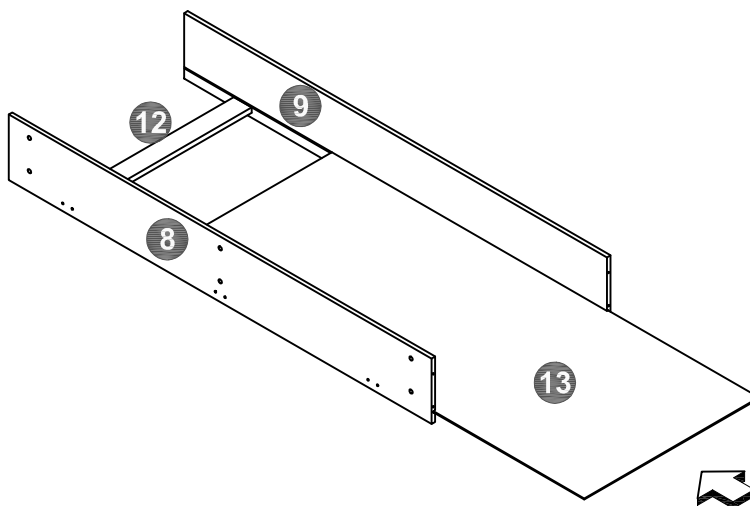
## STEP TO REMOVE SLAT CAP :



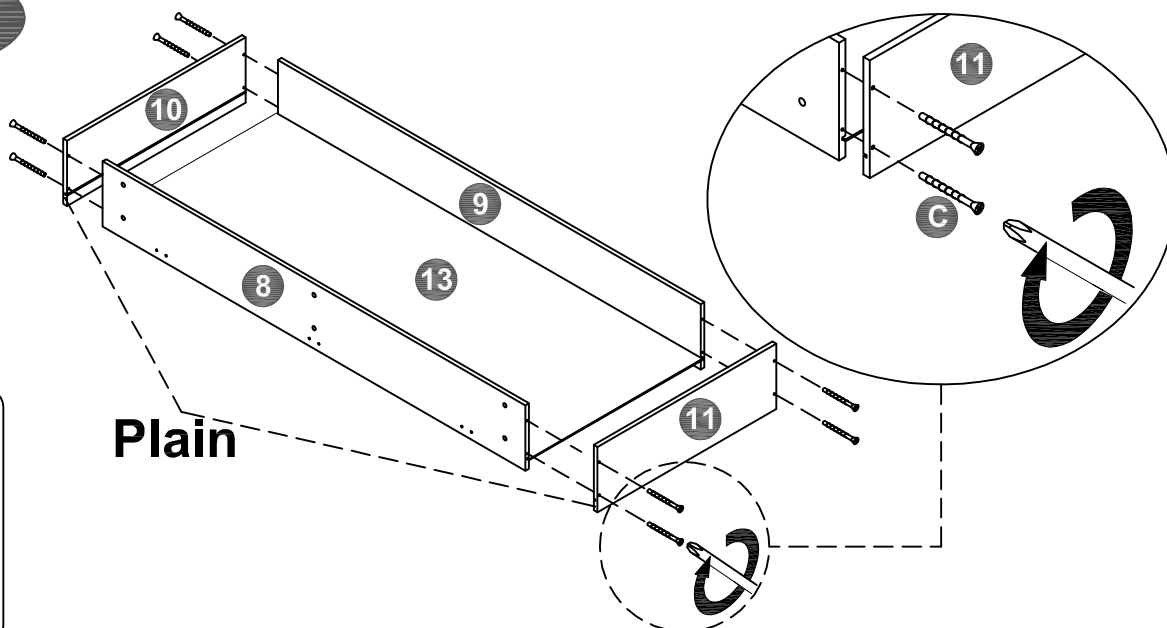
**STEP 6**



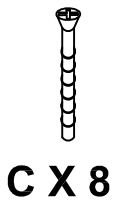
**STEP 7**



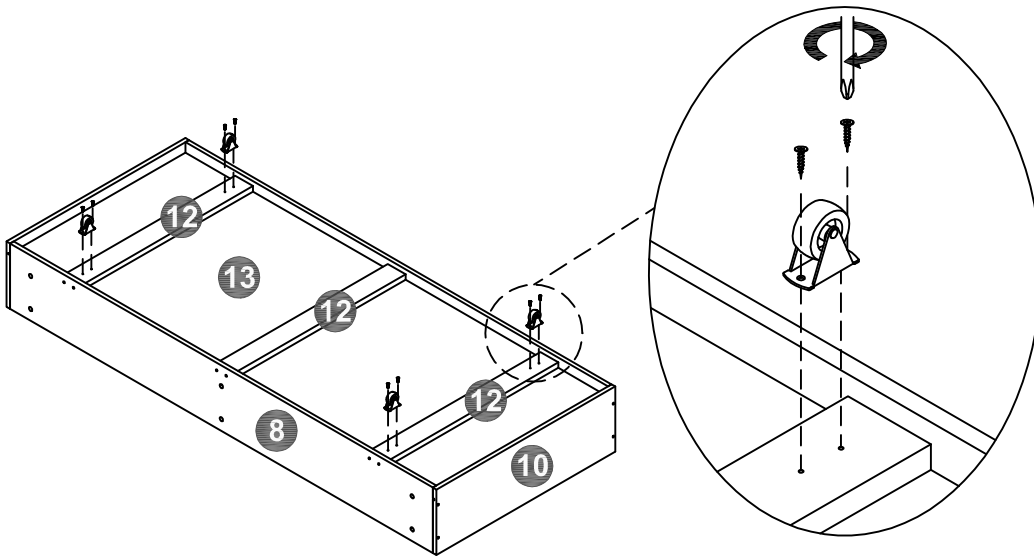
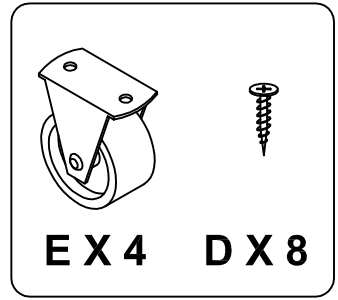
**STEP 8**



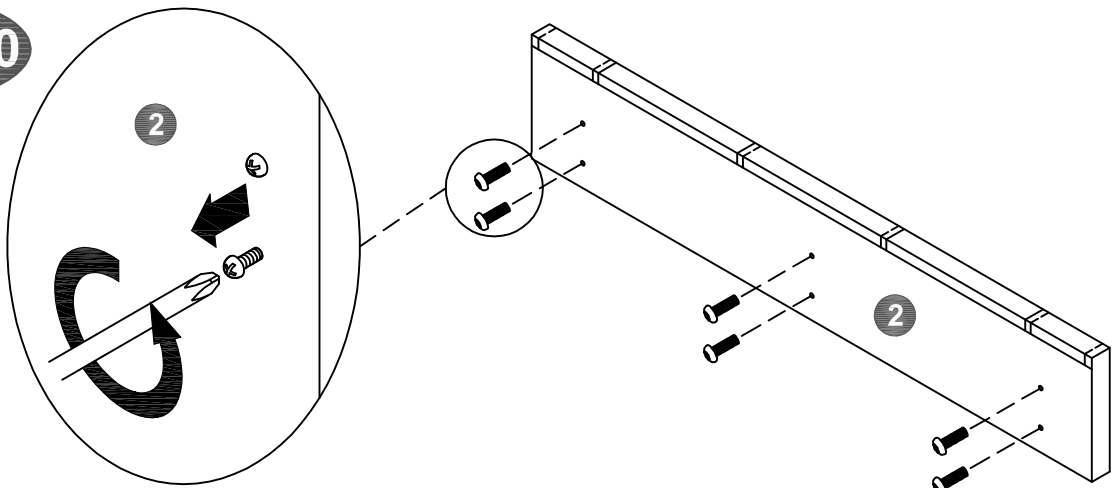
**Plain**



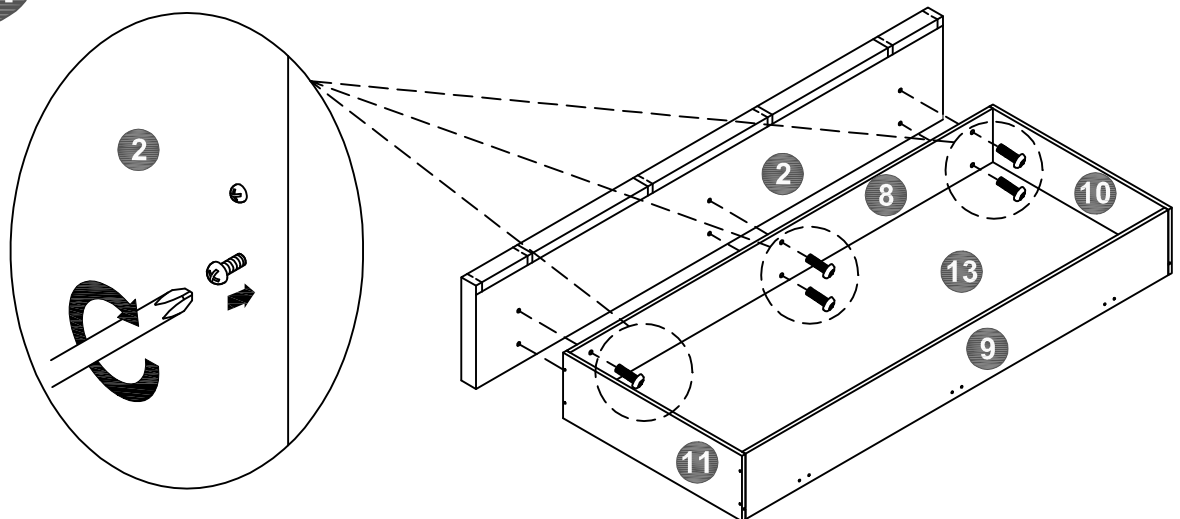
# STEP 9



# STEP 10



# STEP 11



**STEP 12**

