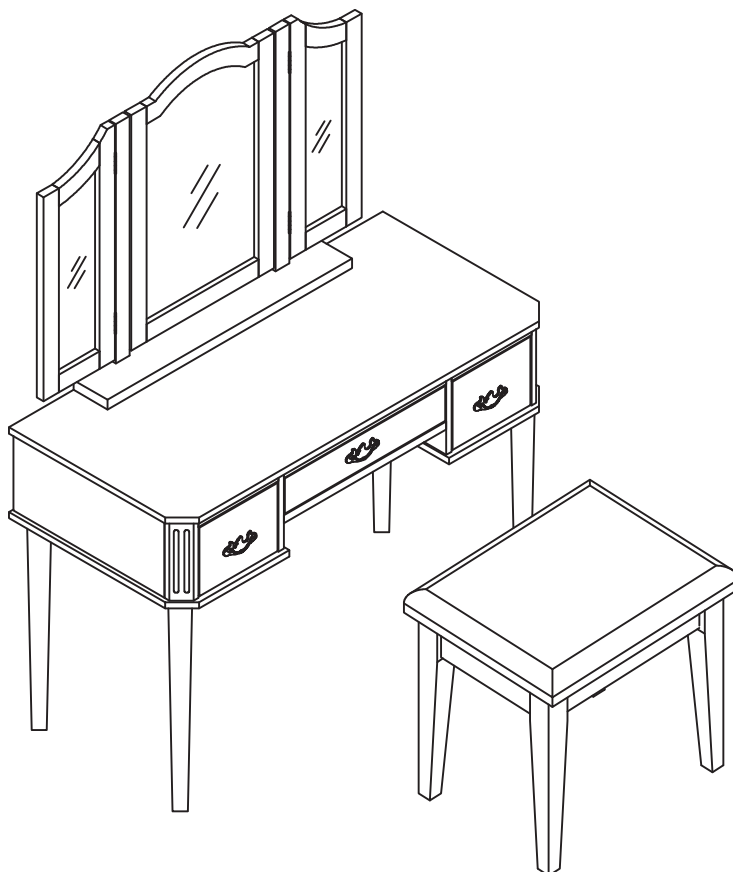


BELLA DRESSING TABLE SET ASSEMBLY INSTRUCTIONS

Thank you for purchasing the BELLA DRESSING TABLE SET. Please read the instructions carefully to ensure safe operation of the product.



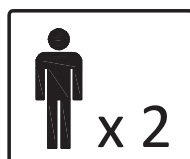
W1100 x D510 x H1436mm
COLOUR: BLACK, WHITE, GREY

PLEASE READ this sheet prior to assembly to familiarise yourself with the various stages of construction.

Carefully open the pack supplied and check the contents against the parts and fittings check list. Do not destroy any of the packaging until you are certain that you have all the necessary parts for the assembly.

CAUTION: There are small components used in the construction of this unit. These loose items should be kept away from young children whilst assembling your unit to avoid the danger of choking hazards.

Tools Required:



BELLA DRESSING TABLE SET

ASSEMBLY INSTRUCTIONS

IMPORTANT - READ CAREFULLY - RETAIN THESE INSTRUCTIONS FOR FUTURE REFERENCE.

INFORMATION

- Due to the size of this product we recommend that it is assembled in the room intended for use.
- When you are ready to start, make sure that you have the right tools, plenty of space and a clean, dry area for assembly.
- Unwrap all packaging materials and place the components on top of the carton box or on a clean floor to prevent it from scratching.
- Check the pack and make sure you have all the parts listed.
- Ensure that this product is fully assembled as illustrated before use.
- Check all screws or bolts are tightened and inspect regularly
- Tools are not included.

WARNINGS

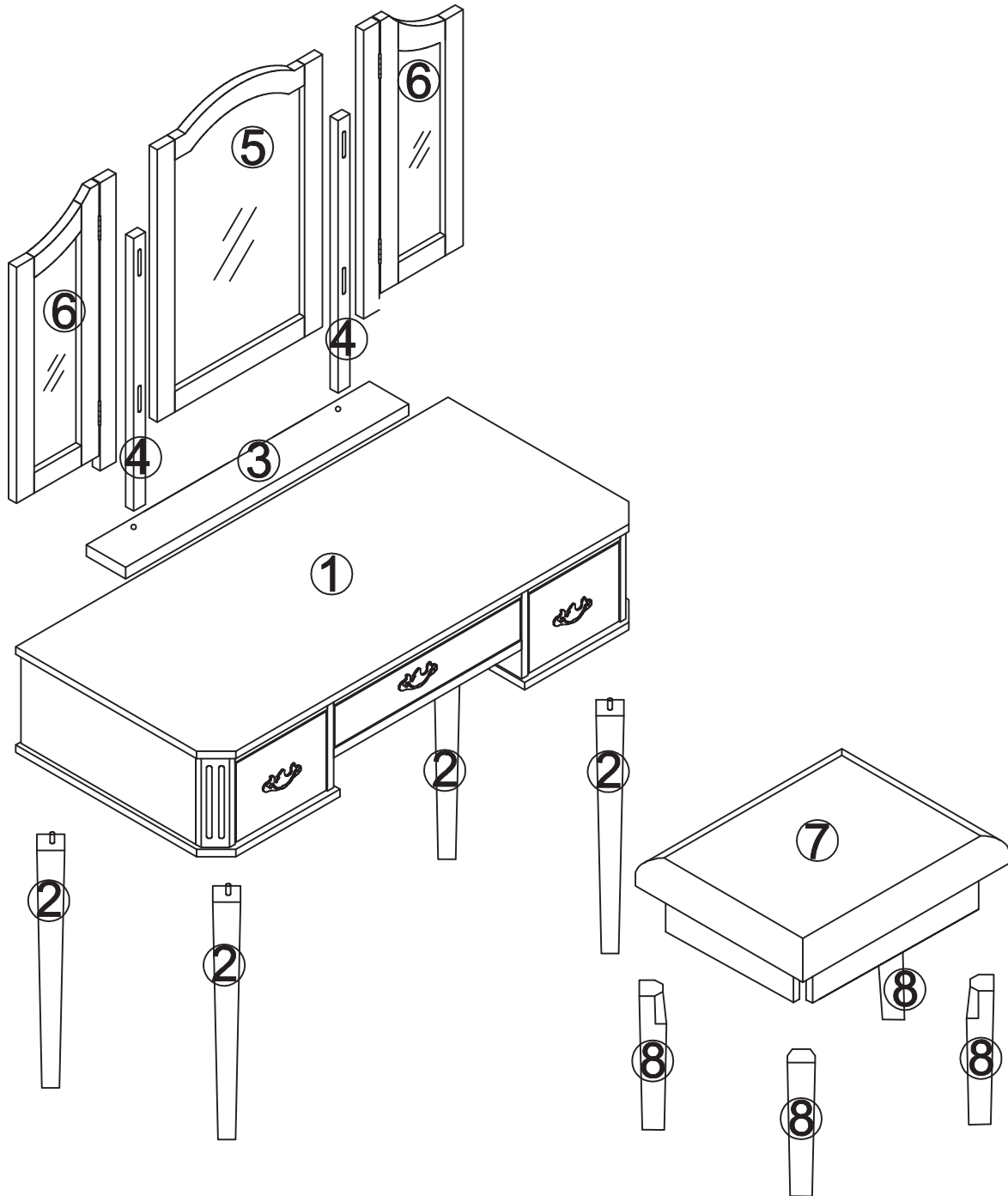
- This product should only be used on firm, level ground.
- Keep small parts out of reach of children.
- Make sure the legs remain in contact with the ground.
- Do not use power tools to construct this product.
- Do not tighten screws until fully assembled.
- Do not over tighten screws or bolts.
- Do not use this product if parts are missing, damaged or worn.
- Do not sit or stand on the dresser.
- If a mirror component is chipped or broken, stop using the product and consult the manufacturer or supplier
- Do not lean on the vertical mirror surface
- Do not strike the mirror with hard or pointed items.

CARE INFORMATION

- Never use scourers, abrasives or chemical cleaners.
- To clean wipe with a sponge and warm soapy water. Do not use solvent based cleaners or detergents as they can bleach or damage the product.
- When cleaning glass panels or mirrors use a damp cloth with washing up liquid or soft soap if necessary; do not use washing powders or any other substances containing abrasives since these substances scratch glass.

BELLA DRESSING TABLE SET ASSEMBLY INSRTUCTIONS

Please check the pack contents before assembling the product. If any components are missing, please contact your retailer. The fittings pack contains small items that should be kept away from small children.



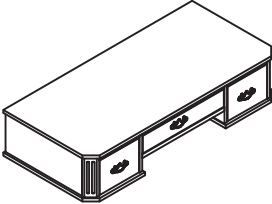
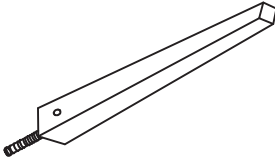
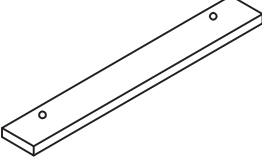
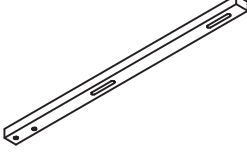
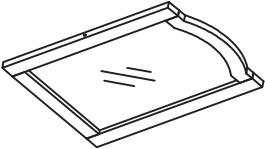
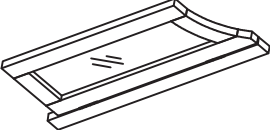
BELLA DRESSING TABLE SET ASSEMBLY INSTRUCTIONS

Parts and Fittings Checklist

Please check the pack contents before assembling this product. If any components are missing, please contact your retailer.

The fittings pack contains small items that should be kept away from small children.

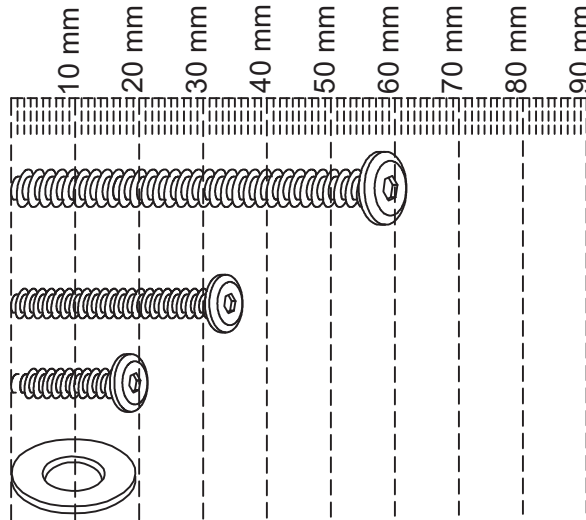
Parts (Dresser)

<p>1. DRESSER TOP - 1 Piece</p> 	<p>2. DRESSER LEG - 4 Pieces</p> 	<p>3. MIRROR BASE - 1 Piece</p> 	<p>4. MIRROR SUPPORT - 2 Pieces</p> 
<p>5. MIRROR - 1 Piece</p> 	<p>6. SIDE MIRROR - 2 Pieces</p> 		

Fittings (Dresser)

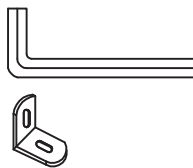
Fixing (to scale)

Ref	Dimensions	Qty
A	LARGE BOLT M8x60	2
C	SMALL BOLT M6x35	10
D	SCREW-M6x20mm	8
E	WASHER 8x19x1.5mm	16



(Not to scale)

F	ALLEN KEY M4	1
G	CORNER STRAP	4



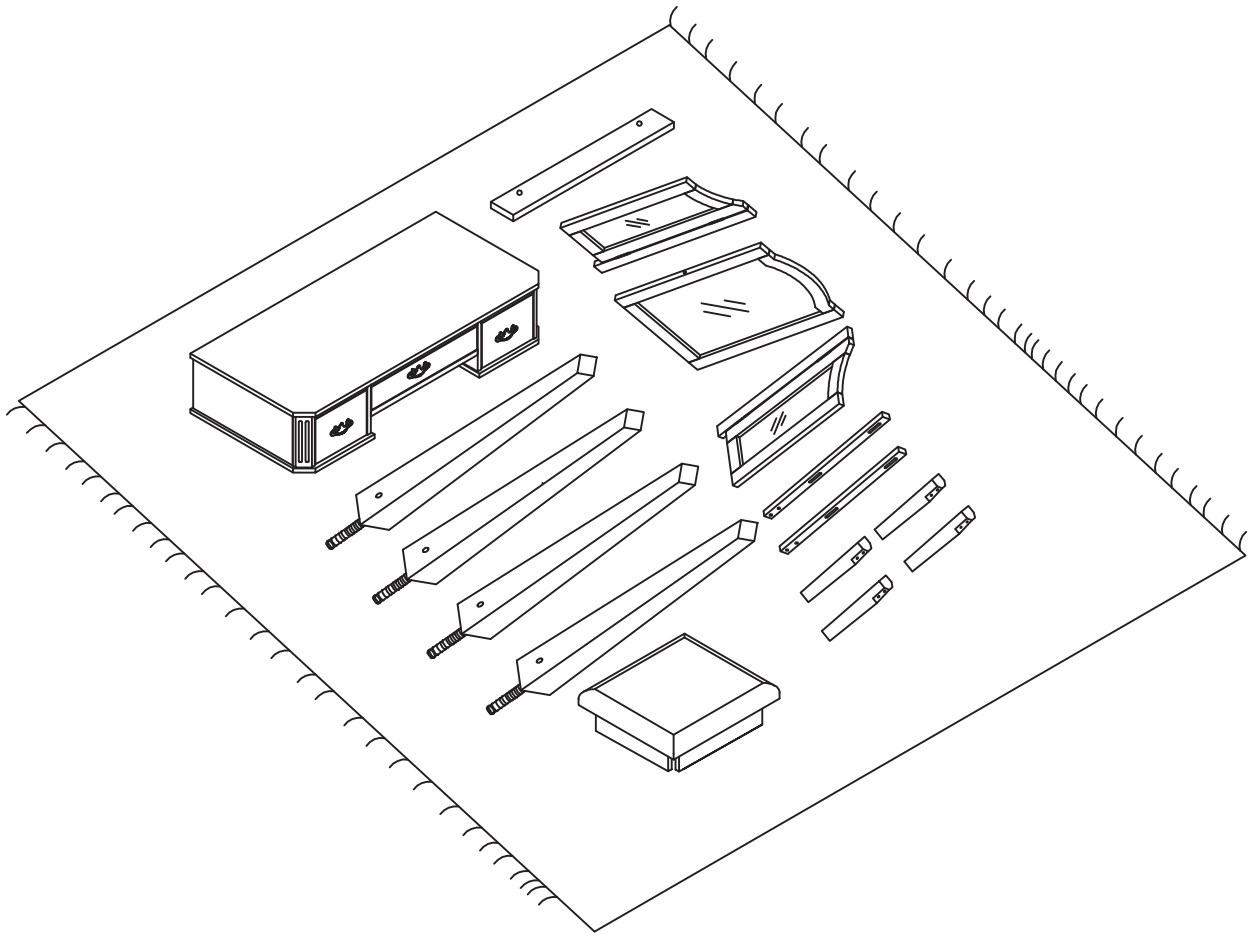
CAUTION: There are many small components used in the construction of this product. Please keep these components away from young children whilst assembling this product.

If you keep the fittings in a bowl during assembly you will be less likely to lose them!

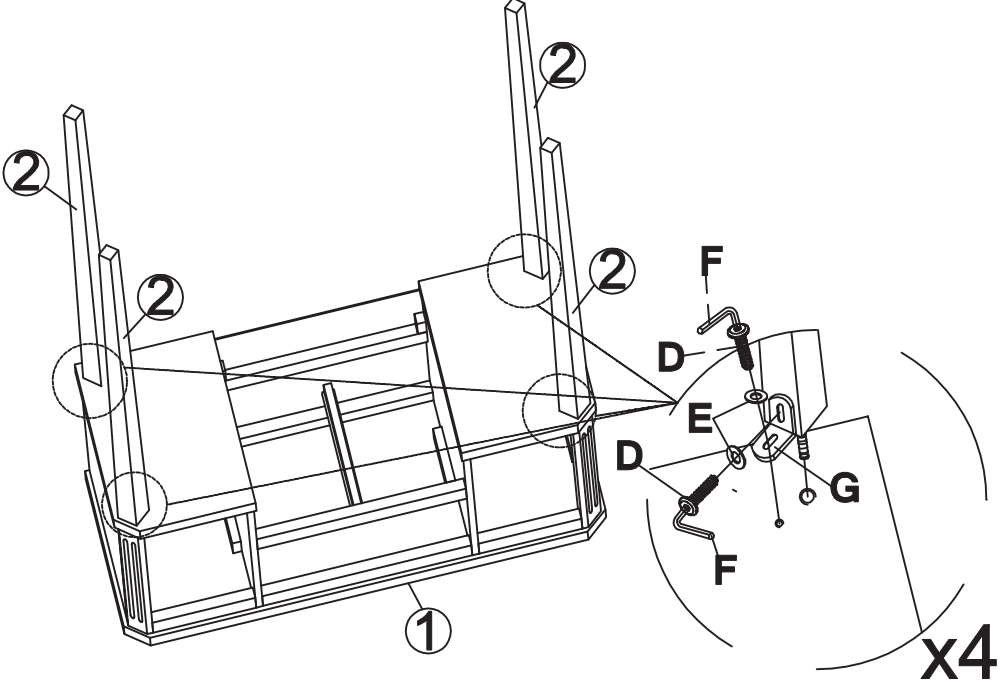
BELLA DRESSING TABLE SET ASSEMBLY INSRTUCTIONS

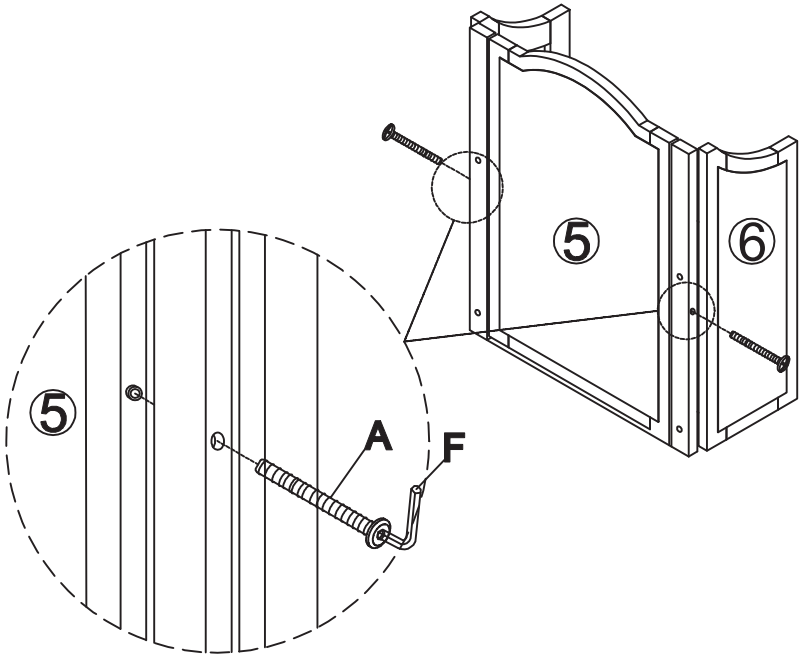
Layout Parts on Soft Surface

Lay out all parts on a soft surface i.e. Rug, Carpet or Packaging Carton to avoid damage.



BELLA DRESSING TABLE SET ASSEMBLY INSRTUCTIONS

STEP 1	Parts Required
	<p>1 . DRESSER TOP x 1</p> <p>2 . DRESSER LEGS x 4</p> <p>D . SCREW x 8</p> <p>E . WASHERS x 8</p> <p>G . CoRNER STRAP x 4</p> <p>F . ALLEN KEY</p>

STEP 2	Parts Required
	<p>5 . MIRROR x 1</p> <p>6 . SIDE MIRRORS x 2</p> <p>A . LARGE BOLT x 2</p> <p>F . ALLEN KEY</p>

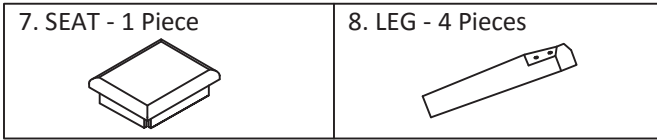
BELLA DRESSING TABLE SET ASSEMBLY INSRTUCTIONS

STEP 3	Parts Required
	<p>3 . MIRROR BASE x 1</p> <p>5 . MIRROR x 1</p> <p>6 . SIDE MIRRORS x 2</p> <p>C . SMALL BOLT x 2</p> <p>E . WASHERS x 2</p> <p>F . ALLEN KEY</p>

STEP 4	Parts Required
	<p>4 . MIRROR SUPPORTS x 2</p> <p>5 . MIRROR x 1</p> <p>6 . SIDE MIRRORS x 2</p> <p>C . SMALL BOLT x 8</p> <p>E . WASHERS x 8</p> <p>F . ALLEN KEY</p>

BELLA DRESSING TABLE SET ASSEMBLY INSTRUCTIONS

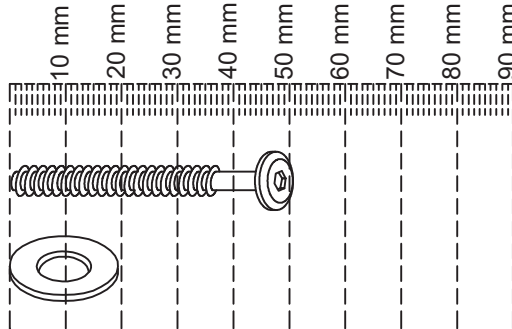
Parts (Stool)



Fittings (Stool)

Fixing (to scale)

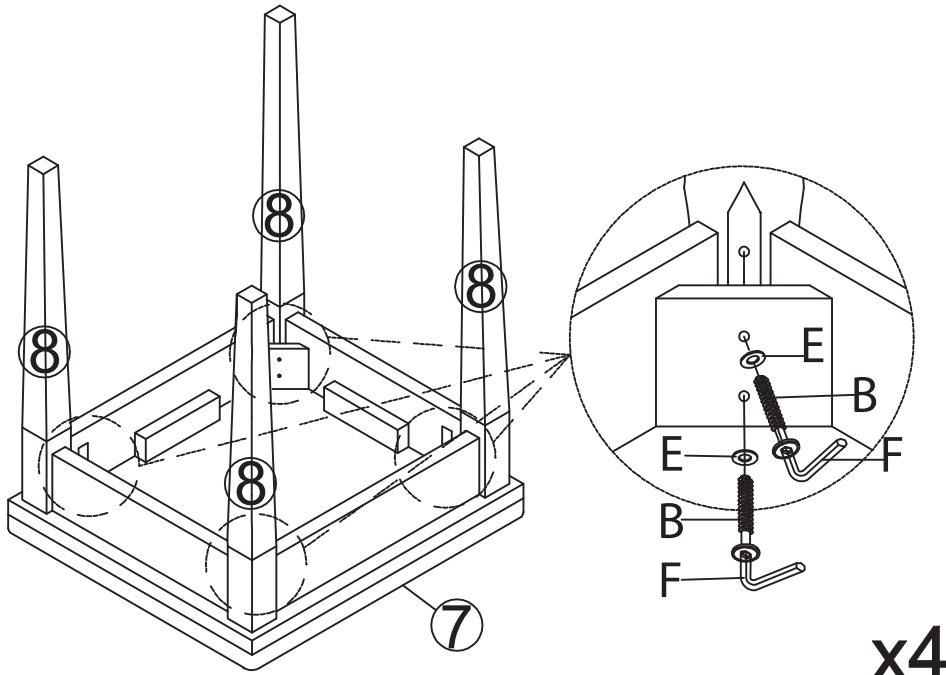
Ref	Dimensions	Qty
B	BOLT-M6x50	8
E	WASHER 8x19x1.5mm	8



(Not to scale)

F	ALLEN KEY M4	1
---	--------------	---



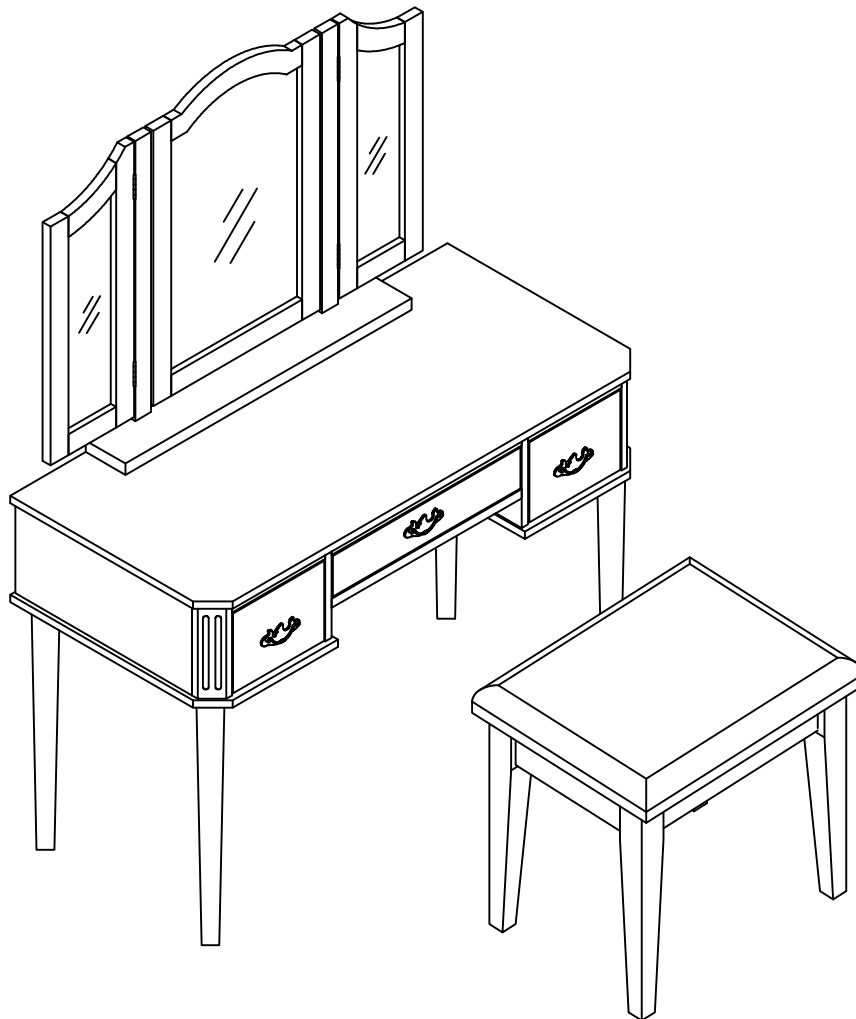
STEP 1	Parts Required
	<p>7 . SEAT x 1</p> <p>8 . LEGS x 4</p> <p>B . BOLT x 8</p> <p>E . WASHER x 8</p> <p>F . ALLEN KEY</p>

BELLA DRESSING TABLE SET ASSEMBLY INSTRUCTIONS

Complete Assembly

Your BELLA DRESSING TABLE SET is now completely assembled.

Periodically check to ensure that the components are in their proper position, free from damage. Also, make sure the connectors are tight and secure.



Keep instructions for future reference

