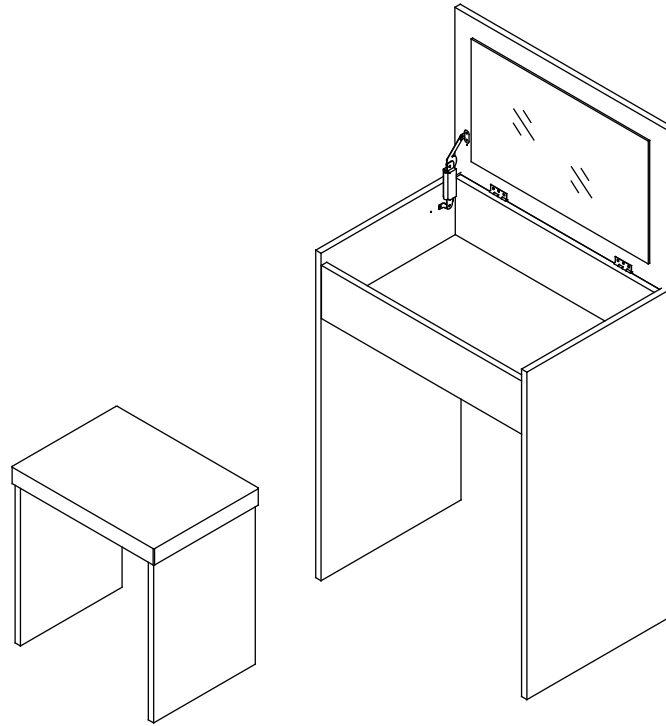


COMPACT DRESSING TABLE_STOOL SET - ASSEMBLY INSTRUCTIONS

Thank you for purchasing the Compact Dresser & Stool.

Please read the instructions carefully to ensure safe operation of this product.



Dressing Table Size: 60 x 40 x 120 cm (WDH)

Stool Size: 40 x 29.5 x 43 cm (WDH)

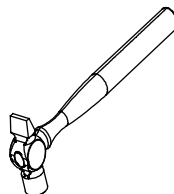
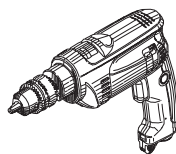
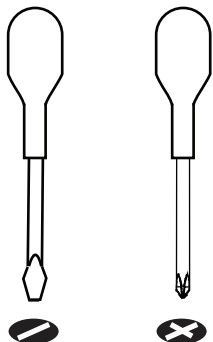
Colours available: White, Oak or Walnut

PLEASE READ this sheet prior to assembly to familiarise yourself with the various stages of construction. Carefully open the pack supplied and check the contents against the parts and fittings check list. Do not destroy any of the packaging until you are certain that you have all the necessary parts for the assembly.

CAUTION: There are small components used in the construction of this unit. These loose items should be kept away from children whilst assembling your unit to avoid the danger of choking.

You are advised to use the anti-tilt strap (H) to prevent any accidents.

Tools Required



Number of people



1/2 Hour
Set Up

IMPORTANT - READ CAREFULLY - RETAIN THESE INSTRUCTIONS FOR FUTURE REFERENCE.

INFORMATION

- This product is designed to hold 10 Kg in total, spread evenly over the whole unit.
- Do not exceed this weight.
- We recommend that this unit is assembled in the room intended for use.
- When you are ready to start, make sure that you have the right tools, plenty of space and a clean, dry area for assembly.
- Unwrap all packaging materials and place the components on top of the carton box or on a clean floor to prevent them from scratching.
- Check the pack and make sure you have all the parts listed.
- Ensure that this product is fully assembled as illustrated before use.
- Check all screws or bolts are tightened and inspect regularly
- Tools not included unless specified in parts list.

WARNINGS

- This product should only be used on a firm and level floor.
- Keep small parts out of reach of children.
- Make sure the legs remain in contact with the floor.
- Please use the anti-tilt strap (H) to avoid any accidents.
- DO NOT use power tools to construct this product.
- DO NOT tighten screws until parts are assembled or as advised in this guide.
- DO NOT over tighten screws or bolts.
- DO NOT use this product if parts are missing, damaged or worn.
- DO NOT sit or stand on the dressing table.
- DO NOT stand on the stool.

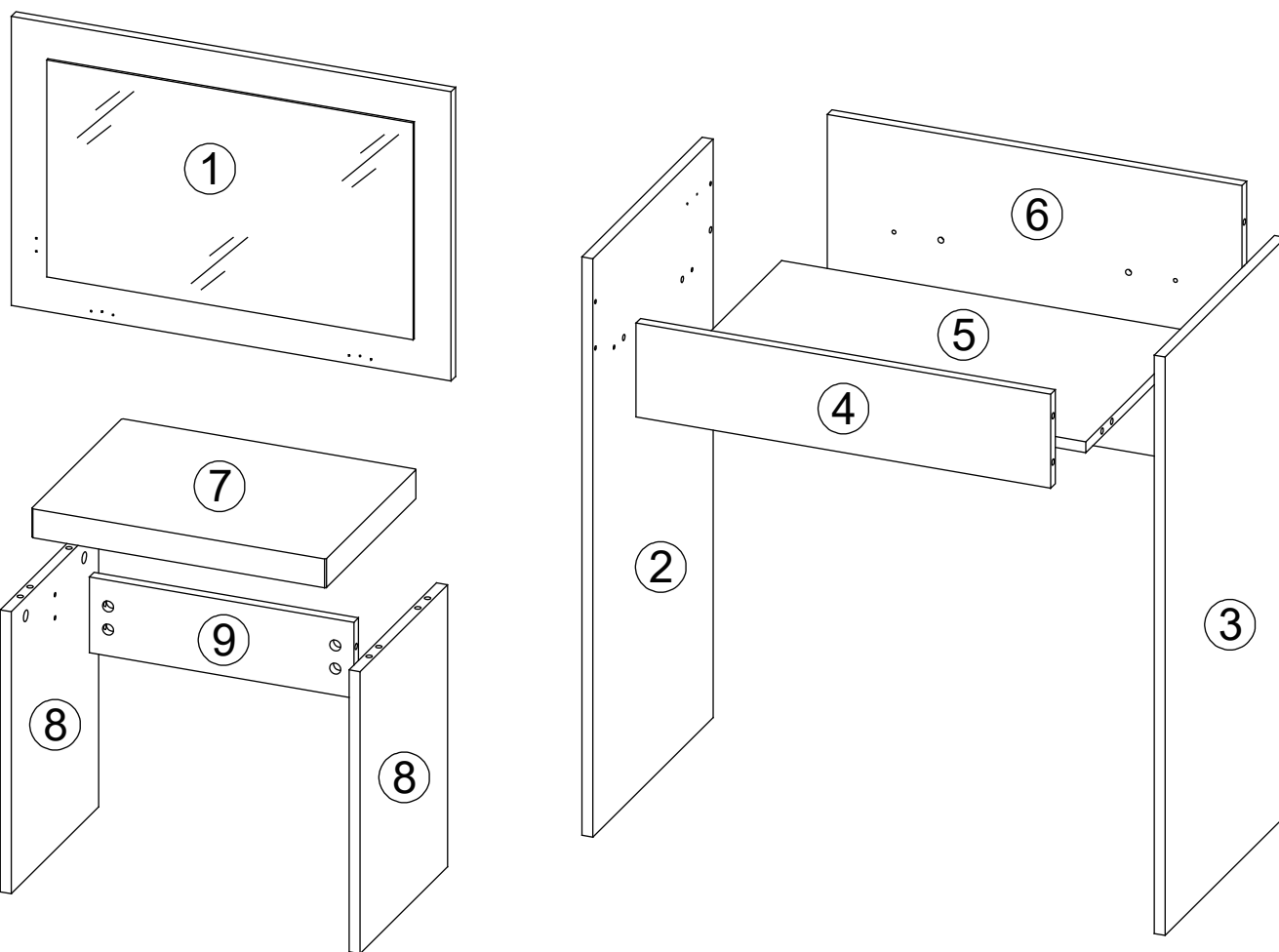
CARE INFORMATION

- Never use scourers, abrasives or chemical cleaners.
- To clean, wipe with a damp sponge and warm soapy water.
- Do not use solvent based cleaners or detergents as they can bleach or damage the product.

Parts and Fittings Checklist

Please check the pack contents before assembling the product. If any components are missing, please contact your retailer.

The fittings pack contains small items that should be kept away from children.



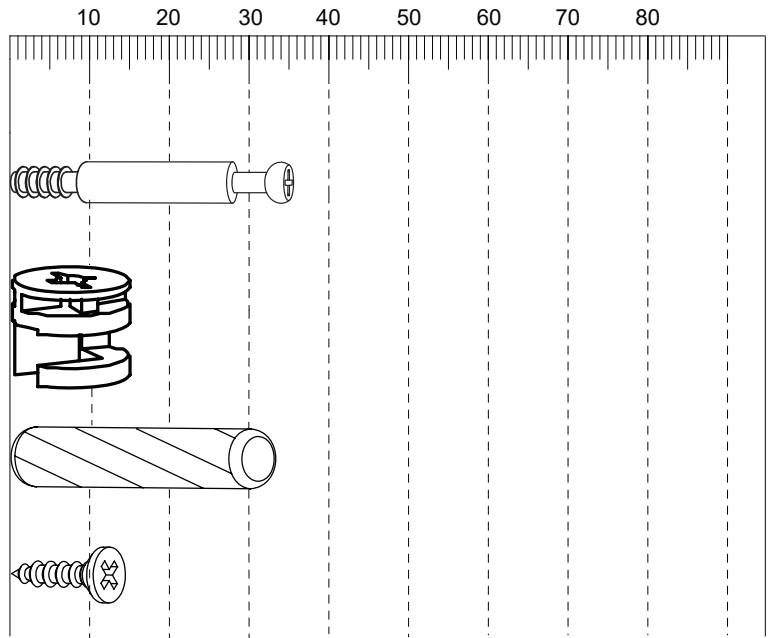
All parts are packed in one carton

1	2	3
Description: Top Panel & Mirror Qty: 1 Size: 600 x 400 x 19 mm Carton No: 1/1	Description: LH Side Panel Qty: 1 Size: 800 x 395 x 15 mm Carton No: 1/1	Description: RH Side Panel Qty: 1 Size: 800 x 395 x 15 mm Carton No: 1/1
4	5	6
Description: Front Rail Qty: 1 Size: 566 x 130 x 15 mm Carton No: 1/1	Description: Fixed Shelf Qty: 1 Size: 566 x 363 x 15 mm Carton No: 1/1	Description: Back Rail Qty: 1 Size: 566 x 395 x 15 mm Carton No: 1/1
7	8	9
Description: Top Panel for Stool Qty: 1 Size: 400 x 295 x 40 mm Carton No: 1/1	Description: Side Panels for Stool Qty: 2 Size: 390 x 287 x 15 mm Carton No: 1/1	Description: Support Rail for Stool Qty: 1 Size: 361 x 105 x 15 mm Carton No: 1/1

COMPACT DRESSING TABLE_STOOL SET - ASSEMBLY INSTRUCTIONS

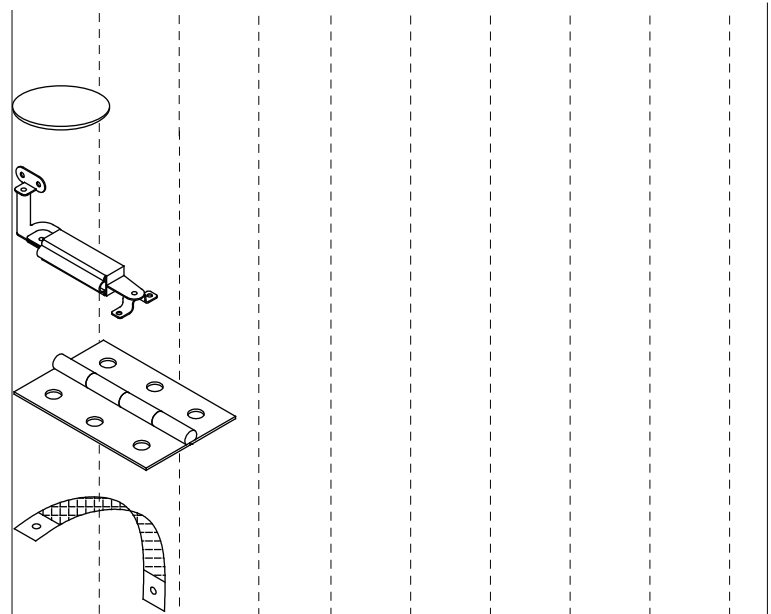
Fittings (to scale)

Code	Item	Quantity
A	Cam Bolt (35mm overall)	24
B	Cam Lock	24
C	Dowel (8x30mm)	16
D	Screw for Fitting Hinge and Safety Hinge (3x12mm)	17

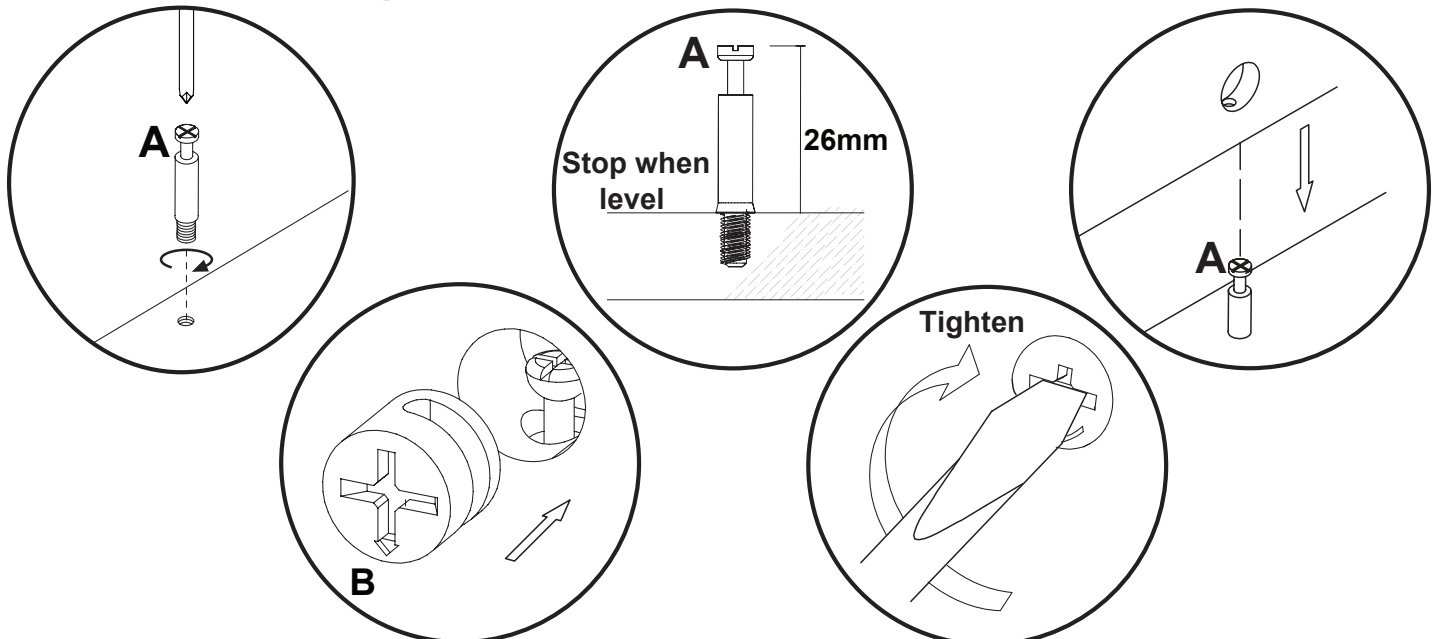


Fittings (not to scale)

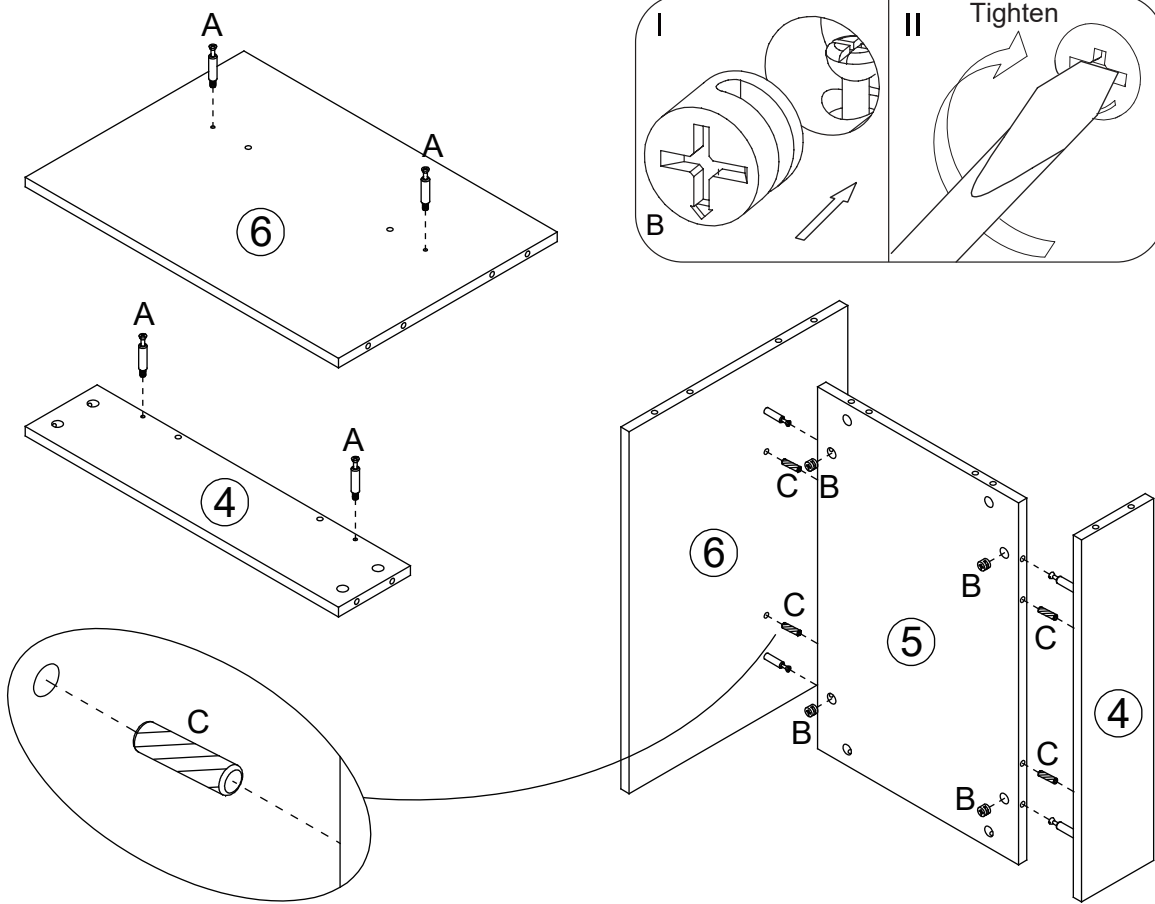
Code	Item	Quantity
E	Cushion Pad	2
F	Safety Hinge	1
G	Hinge	2
H	Anti-tilt Strap	1



General Hints & Tips

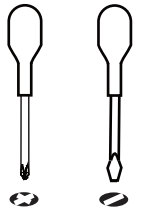


STEP 1

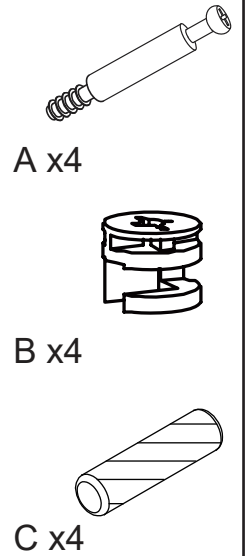


For this step:

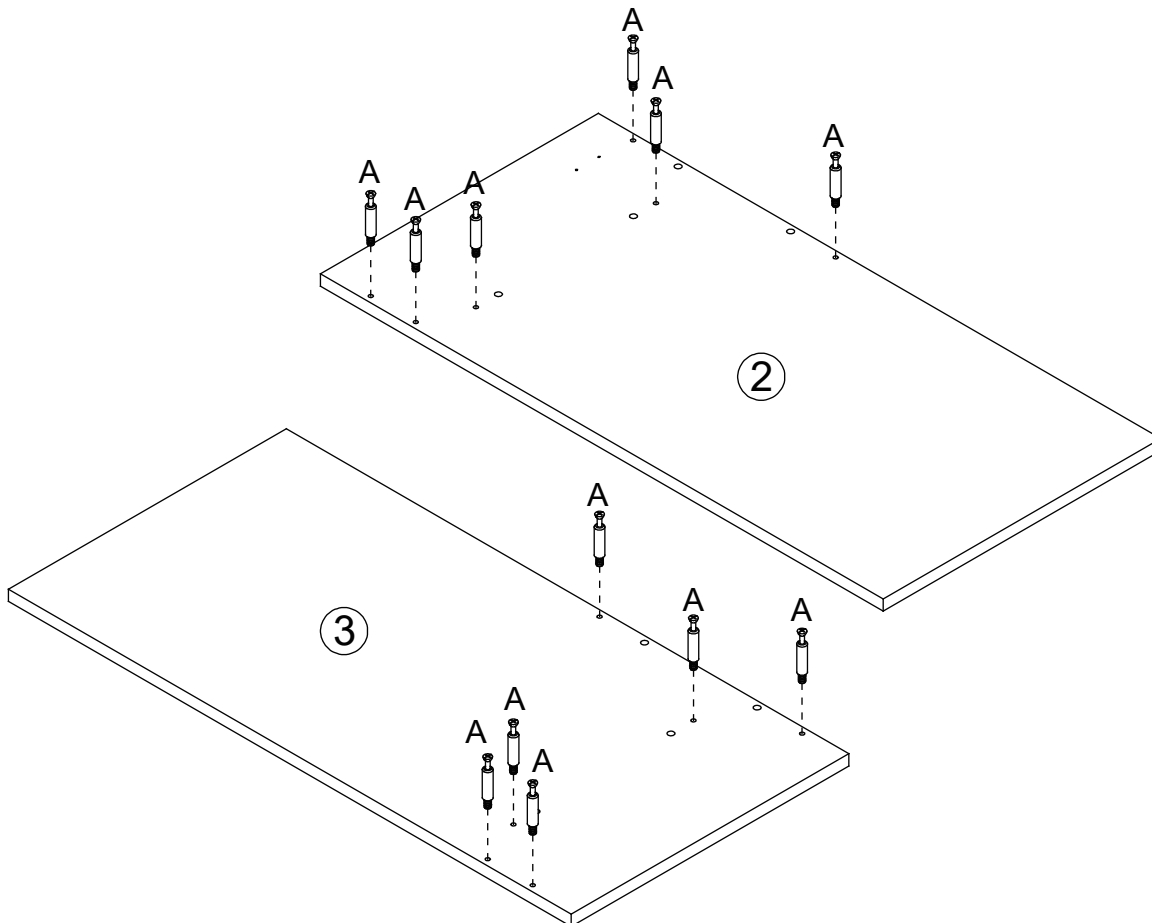
Tools required



Fittings required

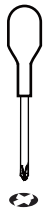


STEP 2

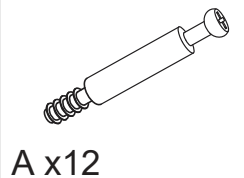


For this step:

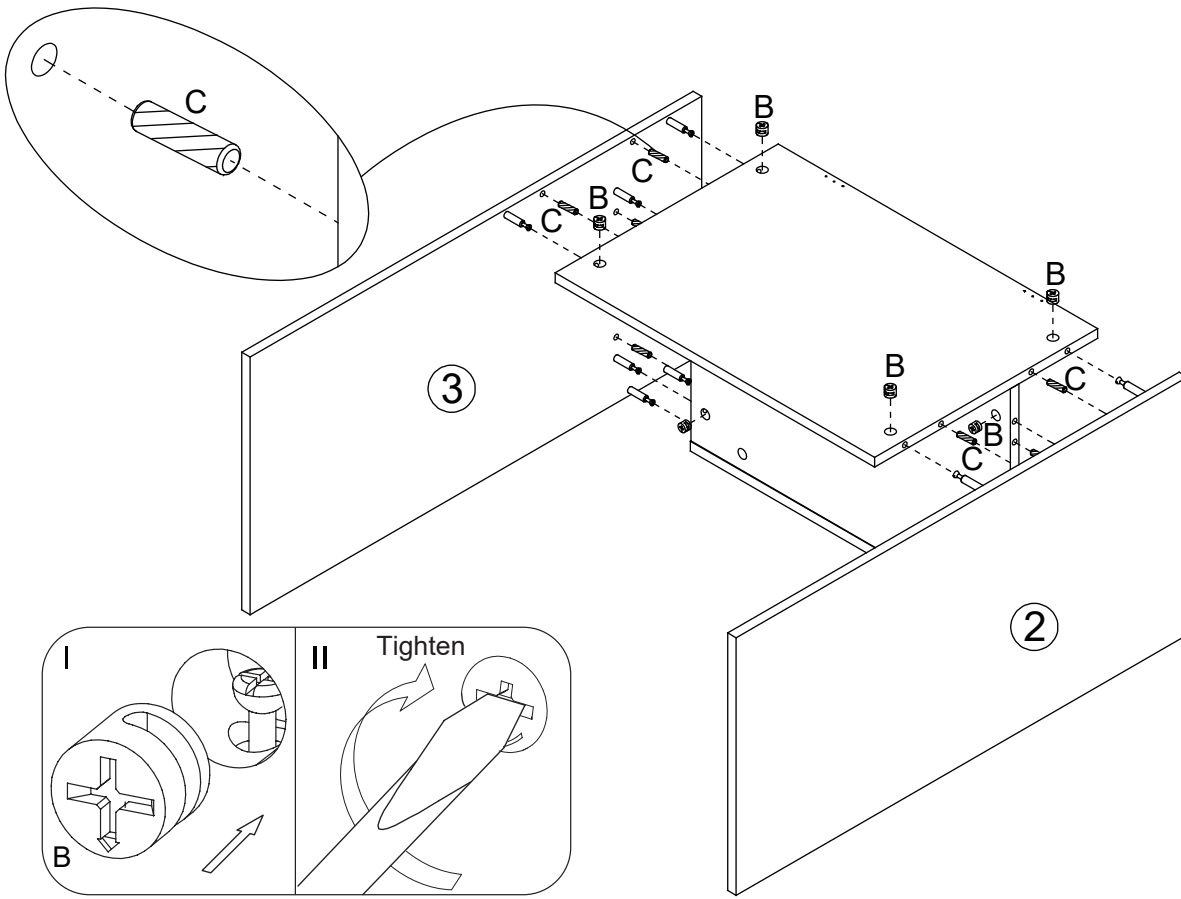
Tools required



Fittings required



STEP 3

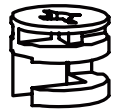


For this step:

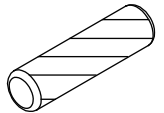
Tools required



Fittings required

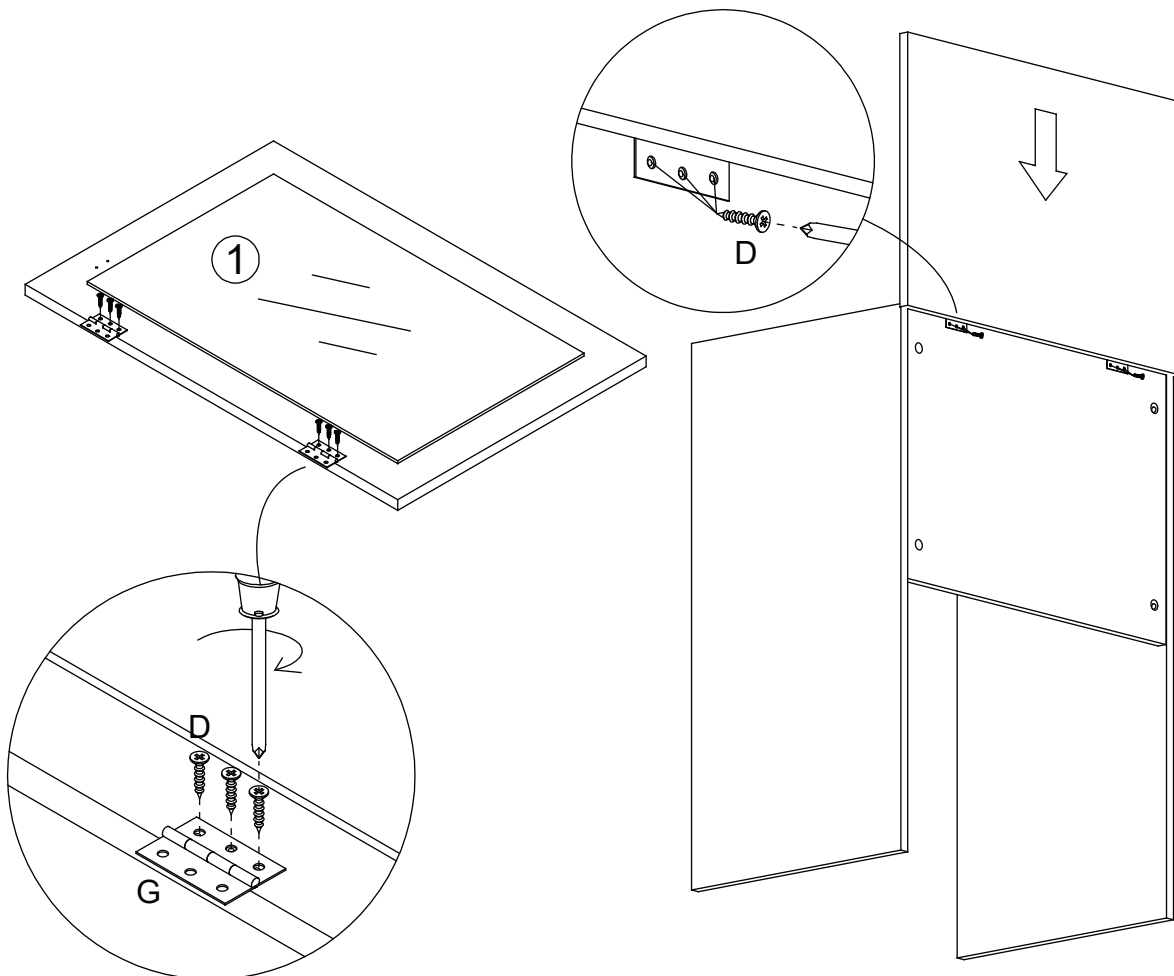


B x8



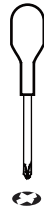
C x8

STEP 4

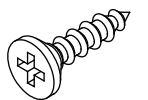


For this step:

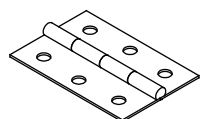
Tools required



Fittings required

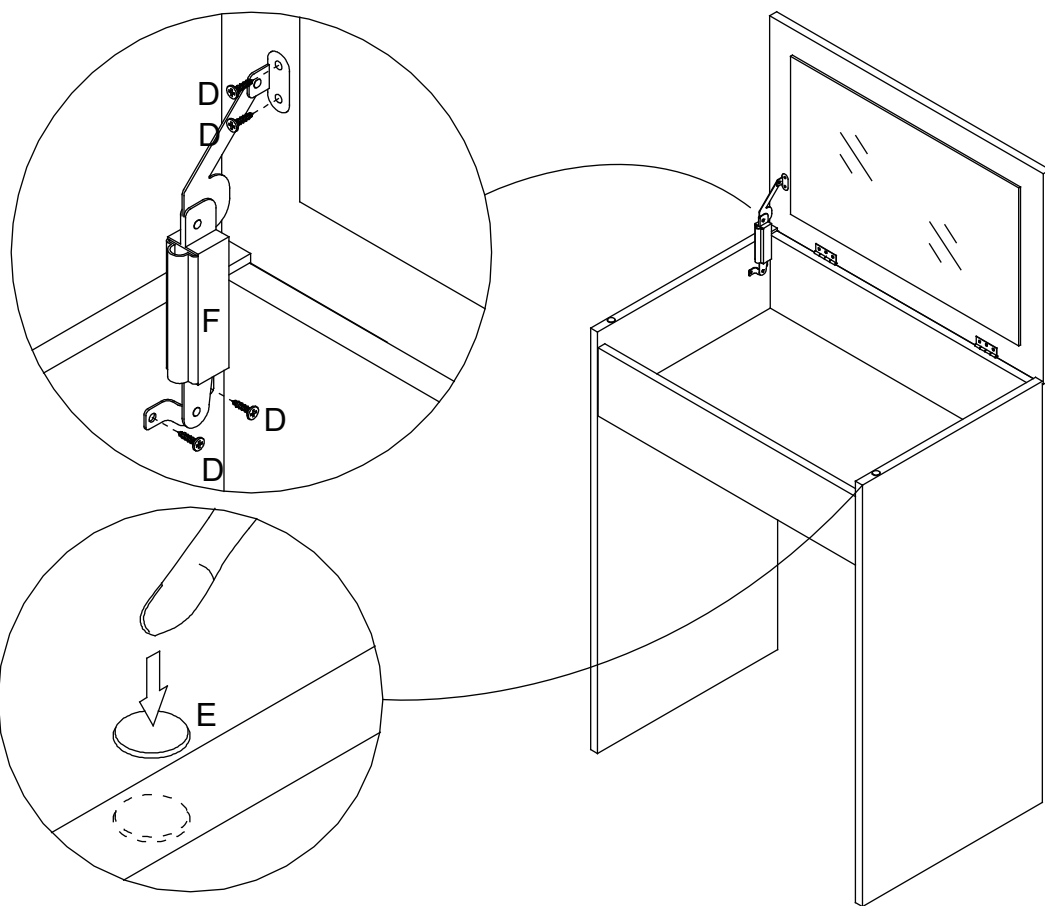


D x12



G x2

STEP 5

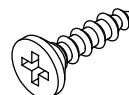


For this step:

Tools required



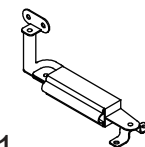
Fittings required



D x4

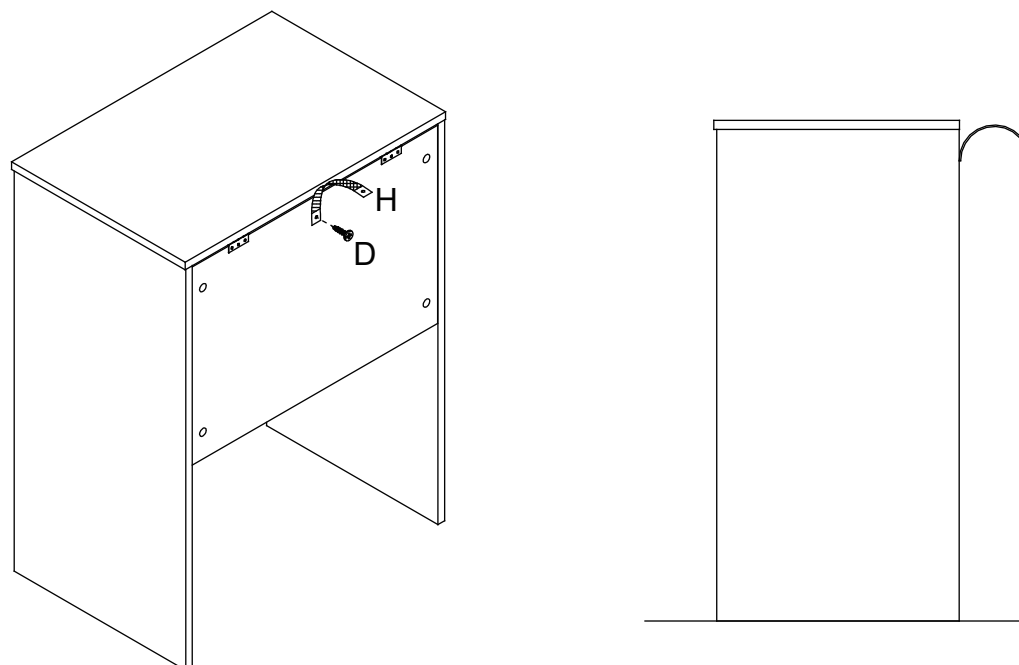


E x2



F x1

STEP 6

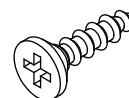


For this step:

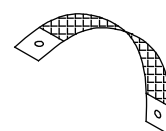
Tools required



Fittings required



D x1

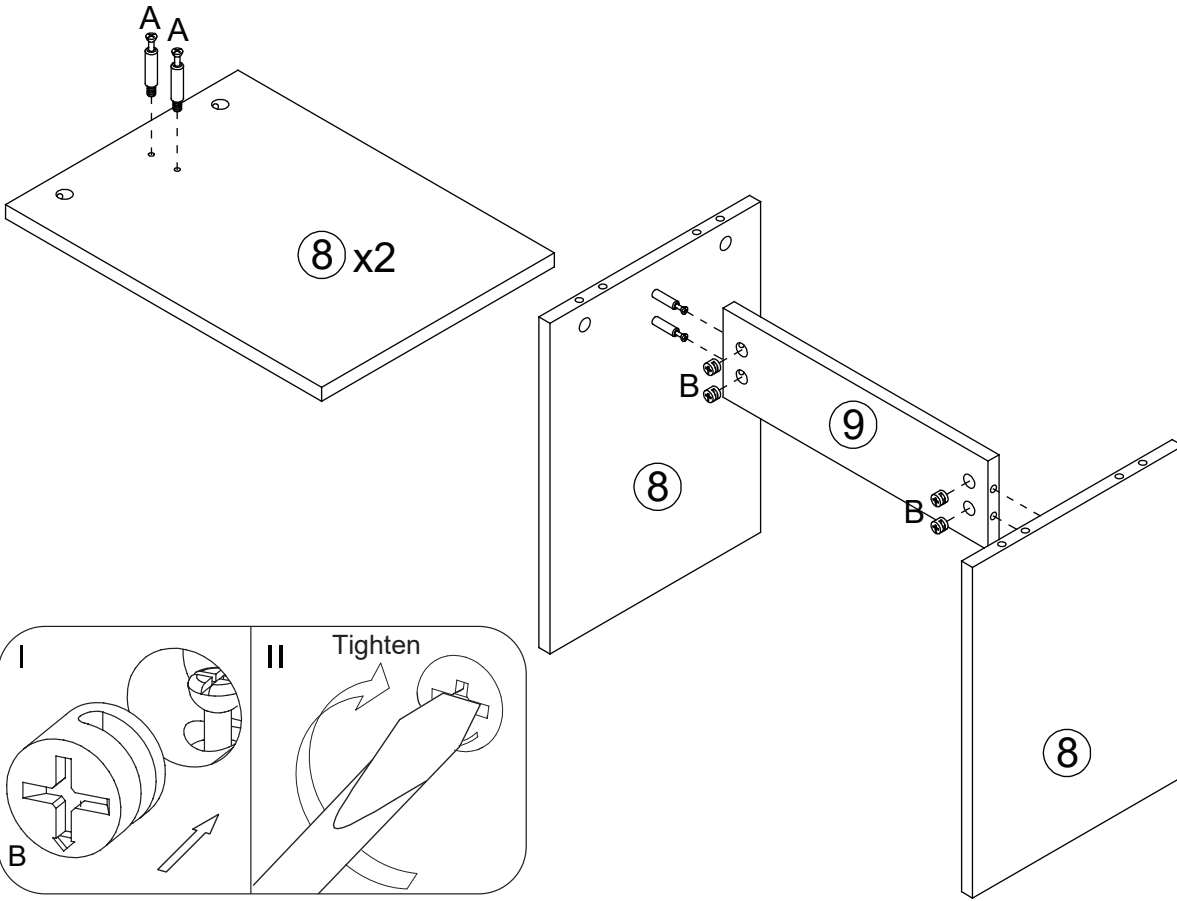


H x1

We recommend the use of the wall strap provided (H) to avoid accidents and possible fatal injuries if the item falls or tips over. If in doubt about fixing to the wall, for instance because your wall is a cavity wall rather than a solid wall, please consult a qualified trades-person to gain help, to fix device securely.

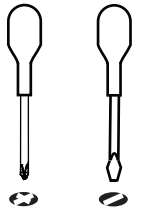
Warning: Always ensure the area to be drilled is free from hidden electrical wires, water and gas pipes.

STEP 7

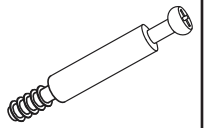


For this step:

Tools required



Fittings required

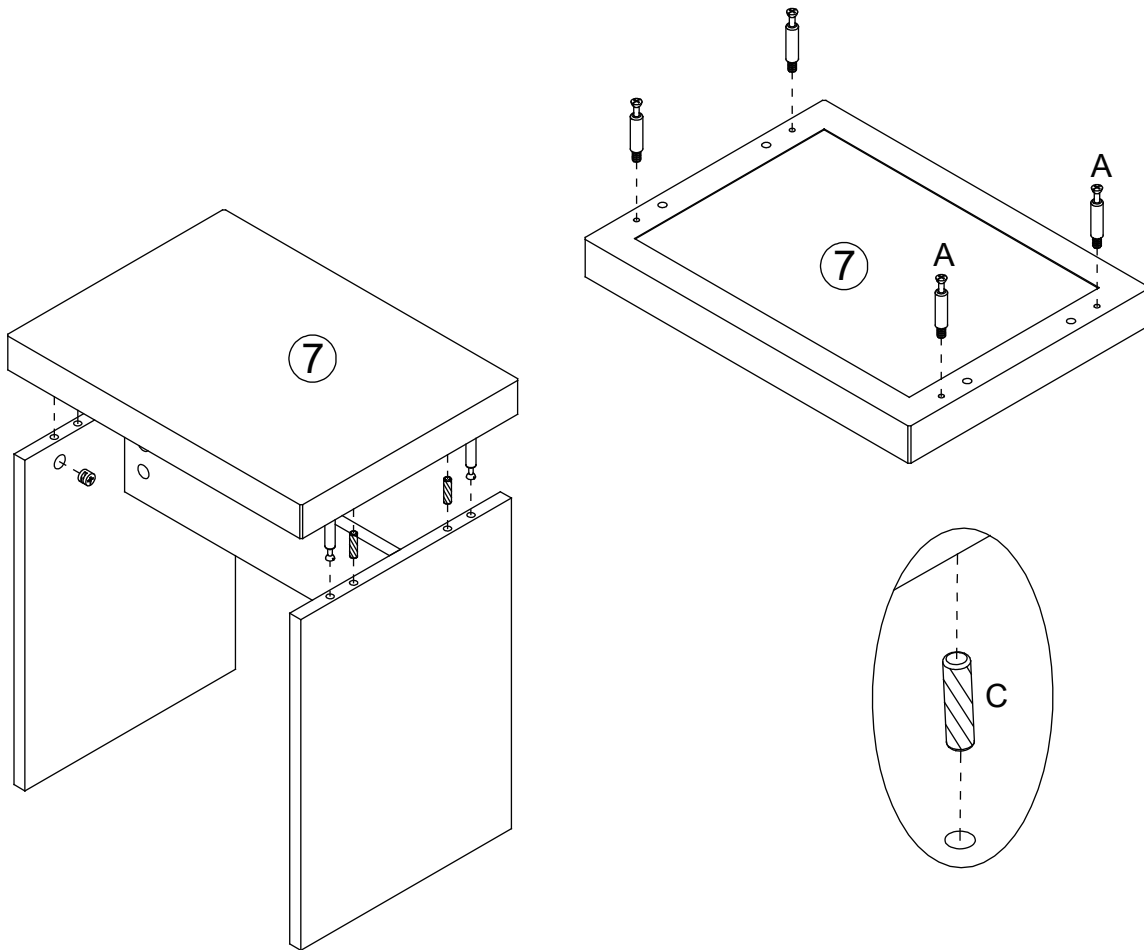


A x4



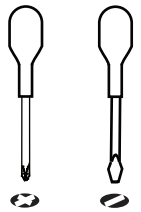
B x4

STEP 8

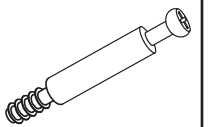


For this step:

Tools required



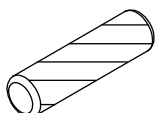
Fittings required



A x4



B x4



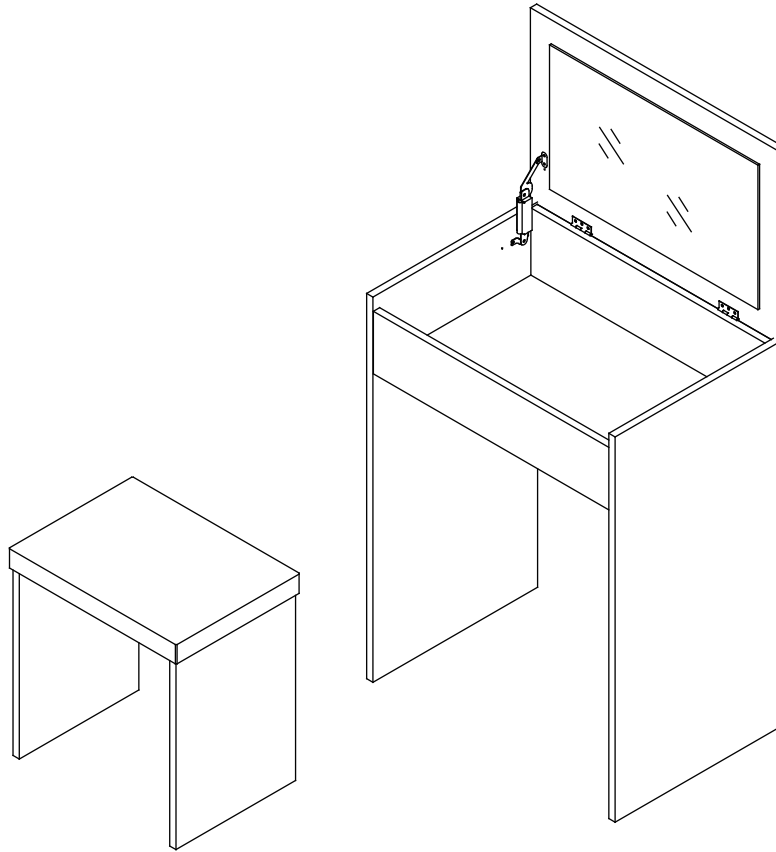
C x4

Assembly Completed

Your Compact Dresser & Stool is now completely assembled.

Periodically check to ensure that the components are in their proper position, free from damage.

Also, make sure the connectors are tight and secure.



Keep instructions for future reference

