



# Birlea

Suppliers of inspiration

## Assembly Instructions

---

*Thank you* for  
purchasing a  
**Birlea** product.

For a chance to win a *Love 2 Shop* voucher simply post a picture of your new product on your preferred social channels tagging Birlea Furniture and using the hashtag **#ShareYourStyle** and **#Birlea**. One winner will be selected at random each month.

To view our full terms and conditions please visit our website. [www.birlea.com](http://www.birlea.com)

---

### Are you happy with your purchase?

**Yes:** That's great, we would love to hear more from you. Please leave us a review on our social media channels or Trustpilot. Your feedback will be greatly appreciated.

**No:** If for any reason there is something missing, indifferent or incorrect with your order, please contact the retailer you purchased the item from. We will work with the retailer to resolve your issue as quickly as possible.



[www.birlea.com](http://www.birlea.com)

Vendor: S000369

## ASSEMBLY INSTRUCTIONS QUINN SIDE TABLE

Important: read these instructions carefully before assembling or using your table.

Please keep these instructions for future reference.

### Health & Safety:

Do not jump or stand on this table.

Do not use this table if any parts are missing, damaged or worn.

Do not use this table unless all fixings are secured.

Please always place the product on a flat, steady and stable surface.

Always use on a level, even surface.

### Care & Maintenance:

Assemble in the room of use.

Assemble on a soft, clean surface.

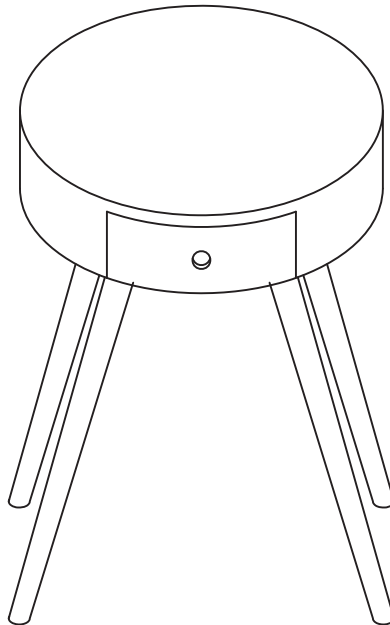
Periodically check all screws & fixings to ensure they are secure.

Do not push the table as this will damage the legs.

Keep any sharp objects away from the table.

To clean your item, please use a damp cloth and wipe clean.

The surface of this table is not heat resistant.



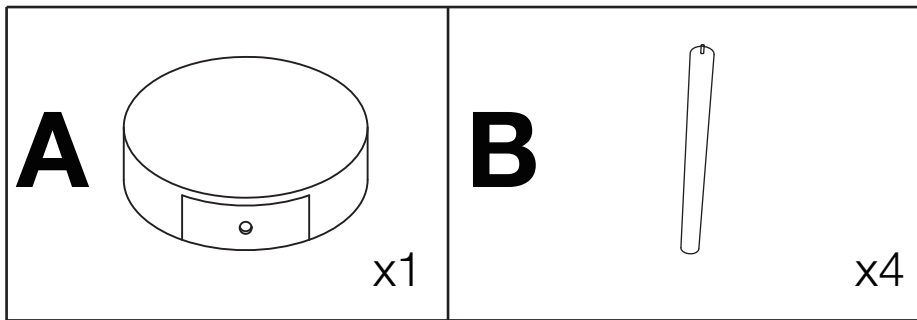
[www.birlea.com](http://www.birlea.com)



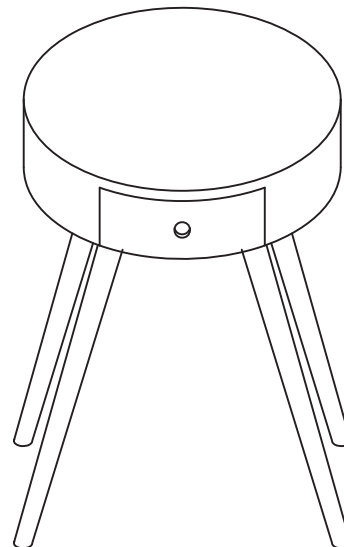
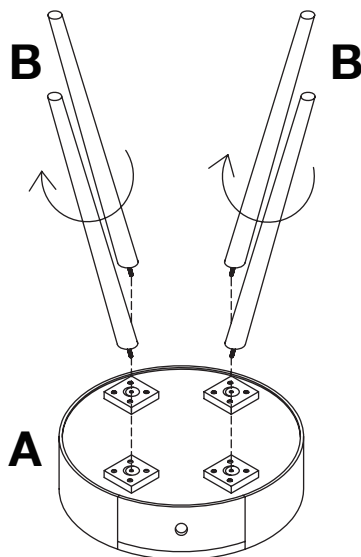
**Birlea**

Suppliers of inspiration



**STEP 1 :**

Screw part B to part A ,as shown.

**STEP 2 :****Additional Information:**

- For complete product information, images and dimension diagrams please visit the website [www.birlea.com](http://www.birlea.com)
- If you have any issues with your item please contact the retailer directly you purchased it from who will be able to resolve any issues with Birlea.
- Why don't you send us photos of your assembled furniture to [info@birlea.com](mailto:info@birlea.com) to be shared in our #birleahome feature on Instagram.