

# PARIS 90cm BED: ASSEMBLY INSTRUCTIONS



1. Please read through and follow the step-by-step instructions in the leaflet.
2. We recommend that assembly is done in the room intended for use and it is assembled by two people.
3. Please do not discard any packaging before you have checked all the parts and fittings are included.
4. Assemble this product on a flat and clean surface to avoid scratching.
5. Do not tighten any bolts before all the parts have been assembled loosely. Product and/or fittings might be damaged by over tightening screws or bolts. Beware of cross-threading the screws or nuts during assembly.
6. Keep fittings away from childrens' resch.
7. Wipe clean using soft damp cloth followed by a dry cloth.
8. Do not use abrasives or cleaning peoducts which may contain ammonia or solvents.
9. Take care when handling or moving the furniture. Careless handling can damage the flooring. try to lift rather than drag.

**SAFETY WARNING:** Do not stand on the bedbase without a mattress on it.

## COMPONENT PARTS

[A]-Headend

[B]-Footend

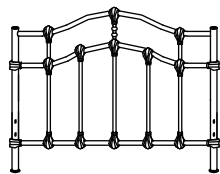
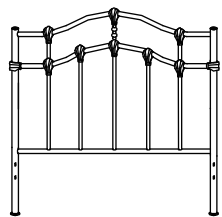
[C]-Siderail×2pcs

[D]-Across Bar×1pc

[F]-Side Plastic Holder ×24pcs

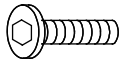
[E]-Wooden Slat ×12pcs

[G]-BALL ×4pcs

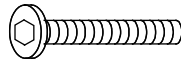


## FITTINGS

[1]-M6×20mm bolts×8pcs



[2]-M6×50mm bolts×2pcs



[3]-M6 Hex Nuts×2pcs



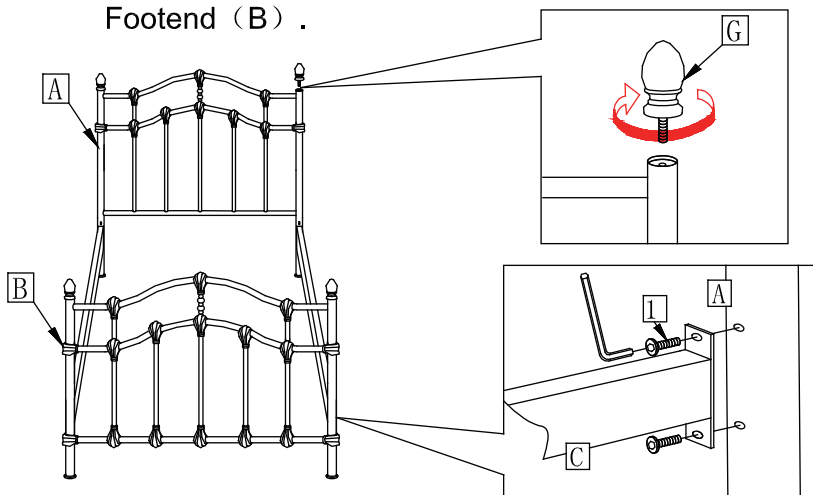
[4]-M6 Allen Key×1pc



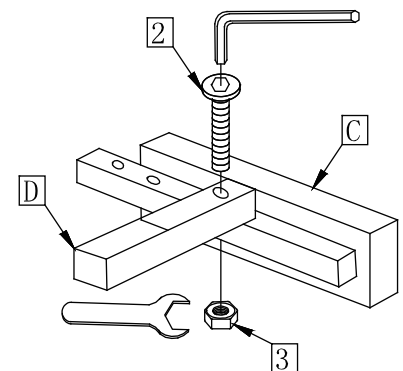
[5]-Spanner×1pcs



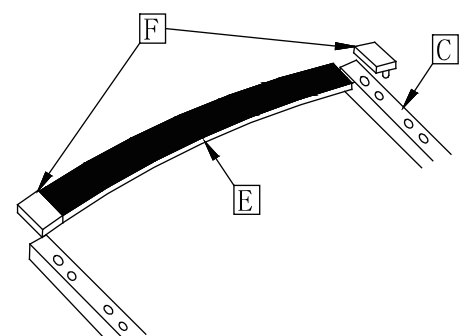
**STEP1:** Attach the siderails (C) to the Headend (A) and Footend (B) .



**STEP2:** Attach the Across Bar (D) to the Siderails (C) .



**STEP3:** Insert the Sprung Slat (E) into the Plastic Holders (F) as shown Gently tap Plastic Holders into the holes drilled on the Siderails.



### CARE INSTRUCTIONS

- Wipe clean using a soft damp cloth followed by a dry cloth.
- Do not use abrasives or cleaning products which may contain ammonia or solvents.
- Take care when handling or moving the furniture. Careless handling can damage furniture, try to lift rather than drag.