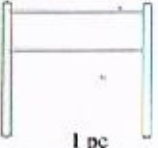
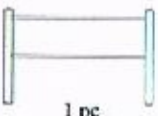









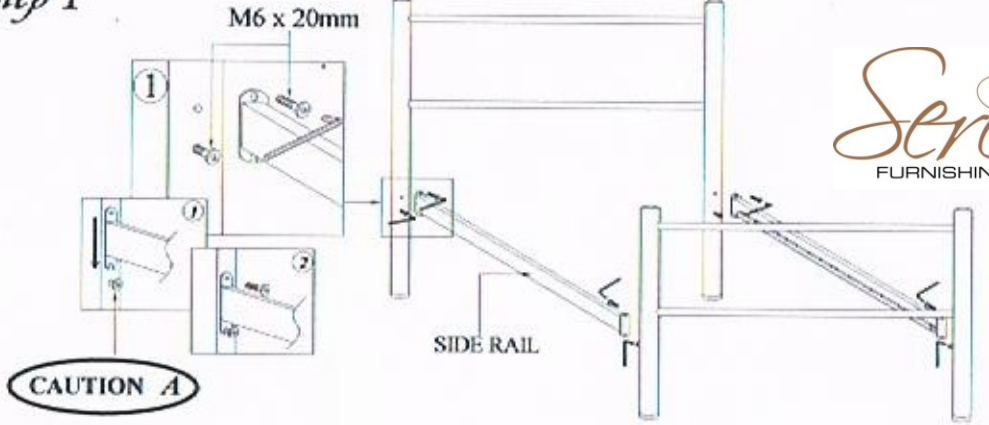


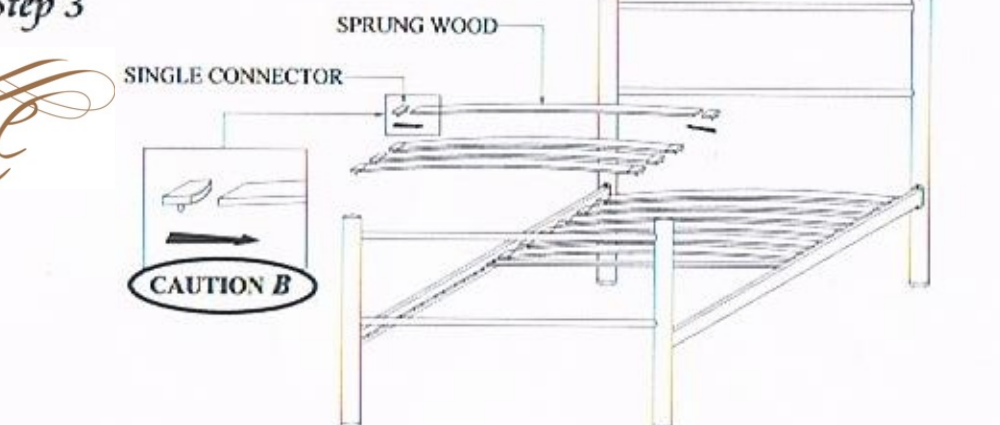
Part List					Hardware					
<b>HEAD BOARD</b>  1 pc	<b>FOOT BOARD</b>  1 pc	<b>SIDE RAIL</b>  2 pcs	<b>CENTRE CROSS RAIL</b>  1 pc	<b>SPRUNG WOOD</b>  12 pcs	<b>SINGLE CONNECTOR</b>  24 pcs	<b>M6 X 20mm</b>  8 pcs	<b>M6 X 40mm</b>  2 pcs	<b>M6 HEX NUT</b>  2 pcs	<b>ALLEN KEY M4</b>  1 pc	<b>SPANNER</b>  1 pc

**Step 1**



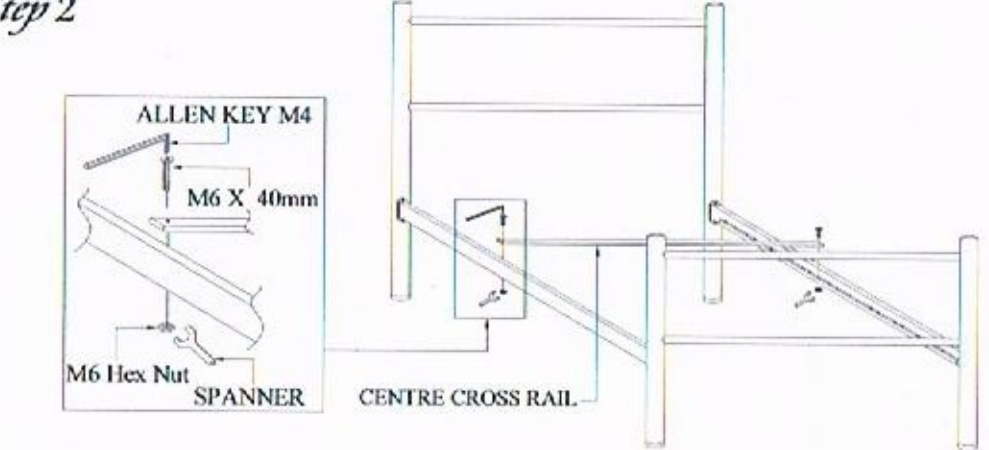
**CAUTION A**

**Step 3**



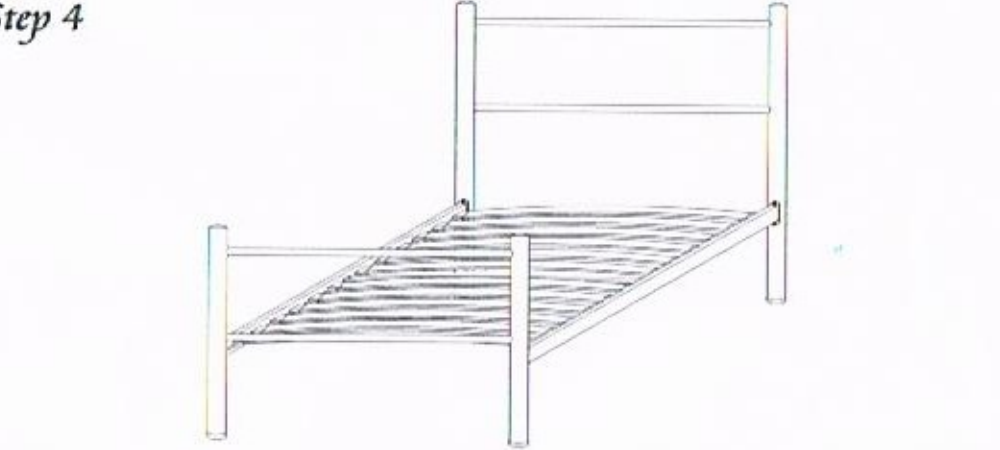
**CAUTION B**

**Step 2**



**ALLEN KEY M4**  
**M6 X 40mm**  
**M6 Hex Nut**  
**SPANNER**  
**CENTRE CROSS RAIL**

**Step 4**



**A CAUTION!**  
 Do not tight screw, left around 5mm before completely assembled.

**B CAUTION!**  
 Make sure sprung wood is fully push tightly into single connector, if not by slowly knock single connector until tight into sprung wood.

**IMPORTANT!**  
 \* Tighten all screw and complete product as shown  
 \*\* Ensure cross rails are located in the side rails before placing the mattress on the bed frame

**ATTENTION!**

- o Wipe clean using a soft damp cloth followed by a dry cloth.
- o Do not use abrasives or cleaning products which may contain ammonia or solvents.
- o Take care when handling or moving the furniture. Careless handling can damage wooden furniture, try to lift rather than drag.



Part List

Hardware

LONG EXTENSION TUBES FOR FOOTBOARD  
2 pcs

SHORT EXTENSION TUBES FOR HEADBOARD  
2 pcs

LONG RAIL  
2 pcs

SHORT RAIL  
2 pcs

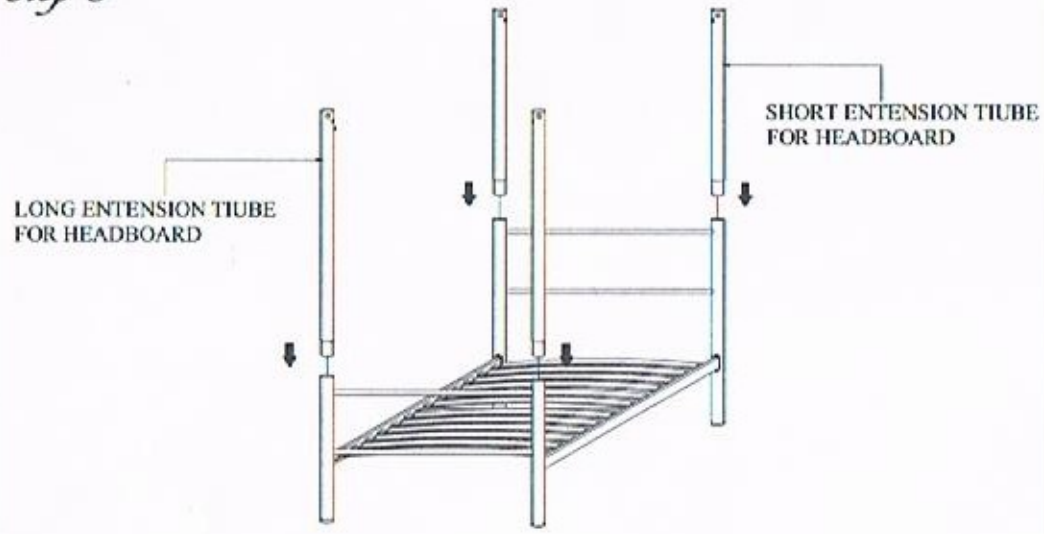
M6 X 60mm  
8 pcs

METAL COVER  
8 pcs

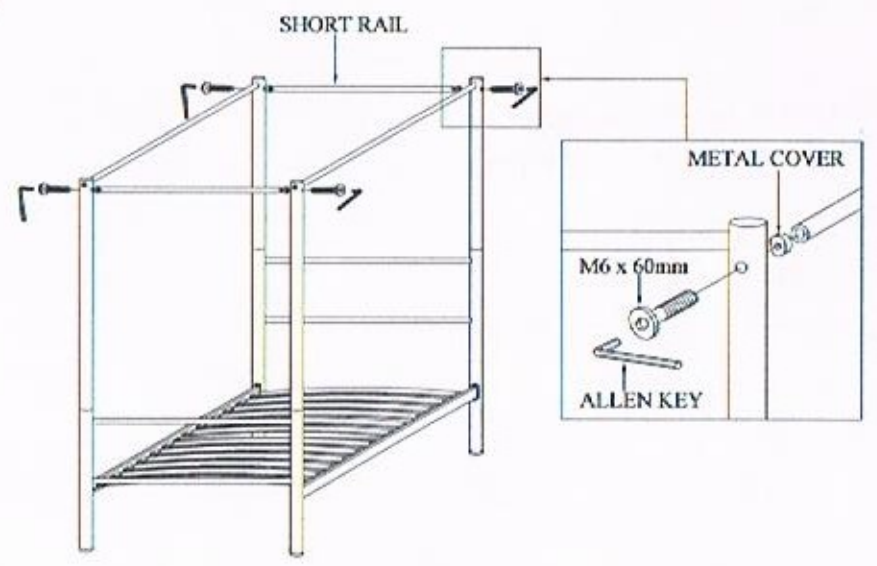
ALLEN KEY M4  
1 pc

FINIAL  
4 pcs

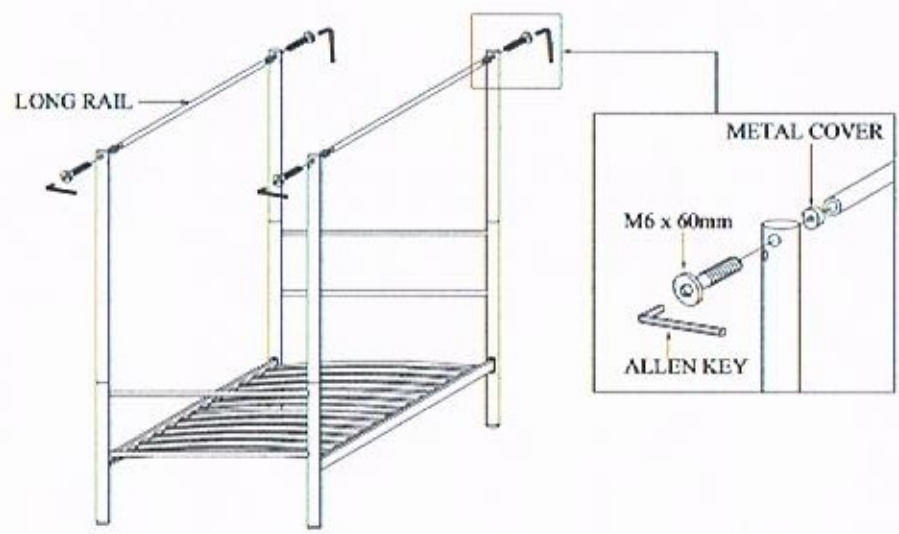
Step 5



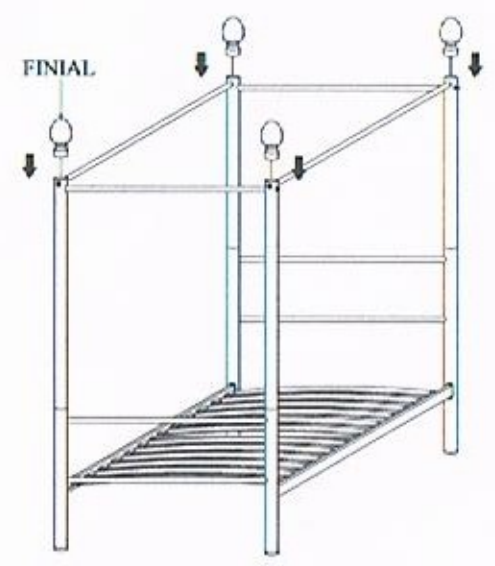
Step 7



Step 6



Step 8



ASSEMBLY COMPLETE