



Birlea

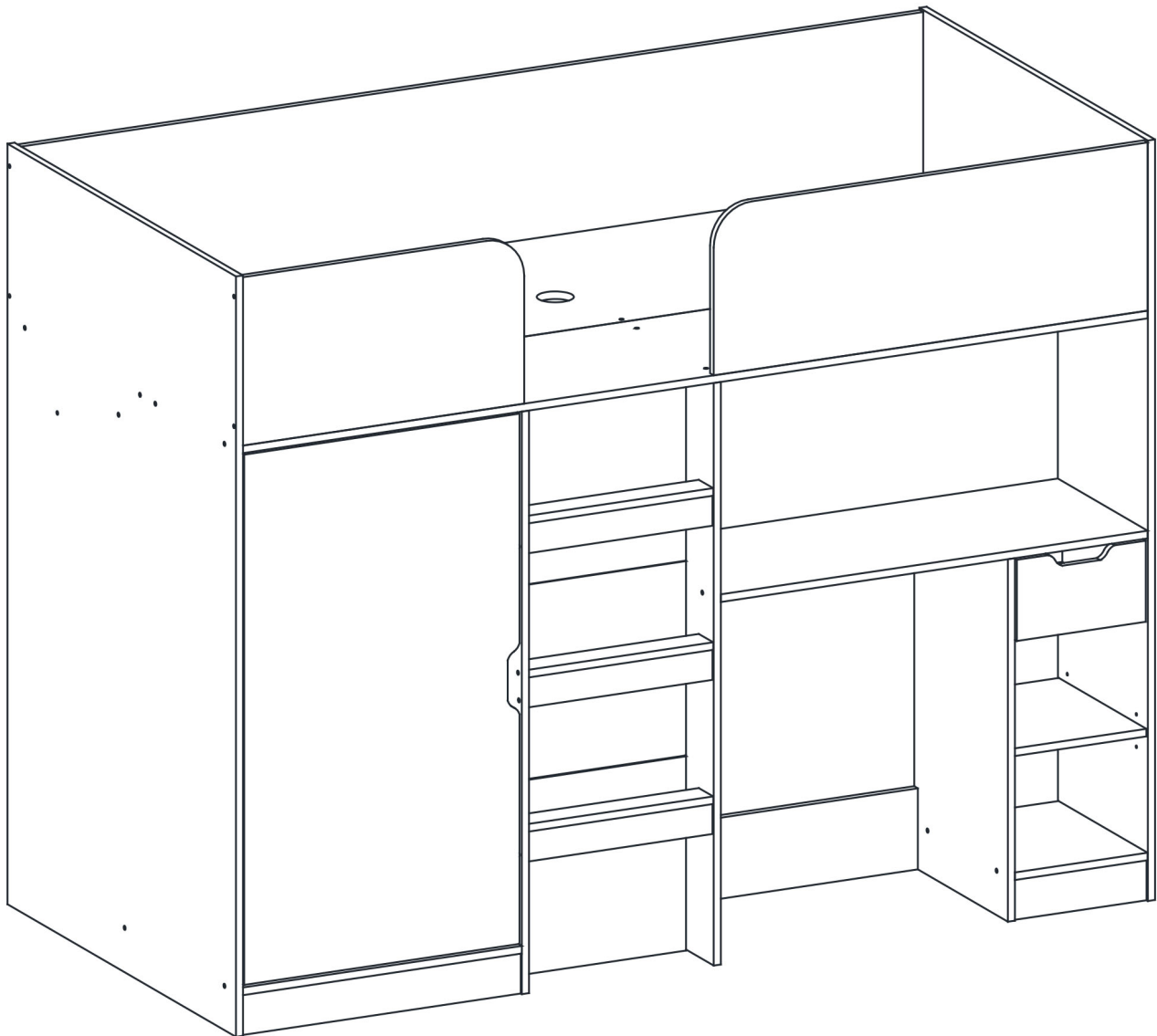
Suppliers of inspiration

Vendor: S000298



ASSEMBLY INSTRUCTIONS

Paddington High Sleeper





ASSEMBLY INSTRUCTIONS PADDINGTON HIGH SLEEPER

IMPORTANT: READ THESE INSTRUCTIONS CAREFULLY BEFORE ASSEMBLING OR USING YOUR HIGH SLEEPER.

PLEASE KEEP THESE INSTRUCTIONS FOR FUTURE REFERENCE.

HEALTH & SAFETY:

DO NOT jump on this bed frame.

DO NOT use this bed frame if any parts are missing, damaged or worn.

DO NOT use this bed frame unless all fixings are secured.

Please keep small parts out of reach of children.

Always use on level, even surface.

This bed is tested to European safety standard BS EN 747-1 & 2:2012+4I:2015

WARNING: if this bed is placed on a non-carpeted floor you must place some protection under all legs to stop the high sleeper from moving. If this is not adhered to there no guarantee if high sleeper collapses.

WARNING: High Sleeper are not suitable for use by children under 6 years of age due to risk of injury from falls.

WARNING: High Sleeper present a serious risk of injury from strangulation if used incorrectly. Never attach or hang anything on any part of the bed that is not designed to be used with the bed, for example, but not limited to ropes, strings, cords, hooks, belts and bags.

WARNING: Do not use the high bed if any structural part is missing or broken.

WARNING: Children can become trapped between the bed and adjoining structures including walls, roof pitches, ceilings and other pieces of furniture. To avoid risk of serious injury, the distance between the top safety barrier and any adjoining structure shall not exceed 75mm or shall be more than 230mm.

CARE & MAINTENANCE :

Assemble in the room of use.

Assemble on a soft, clean surface.

Please check regularly that all assembly fastening are properly tightened.

DO NOT push the high sleeper as this will damage the legs.

Always lift the bed with two people to reposition.

Keep any sharp objects away from the bed.

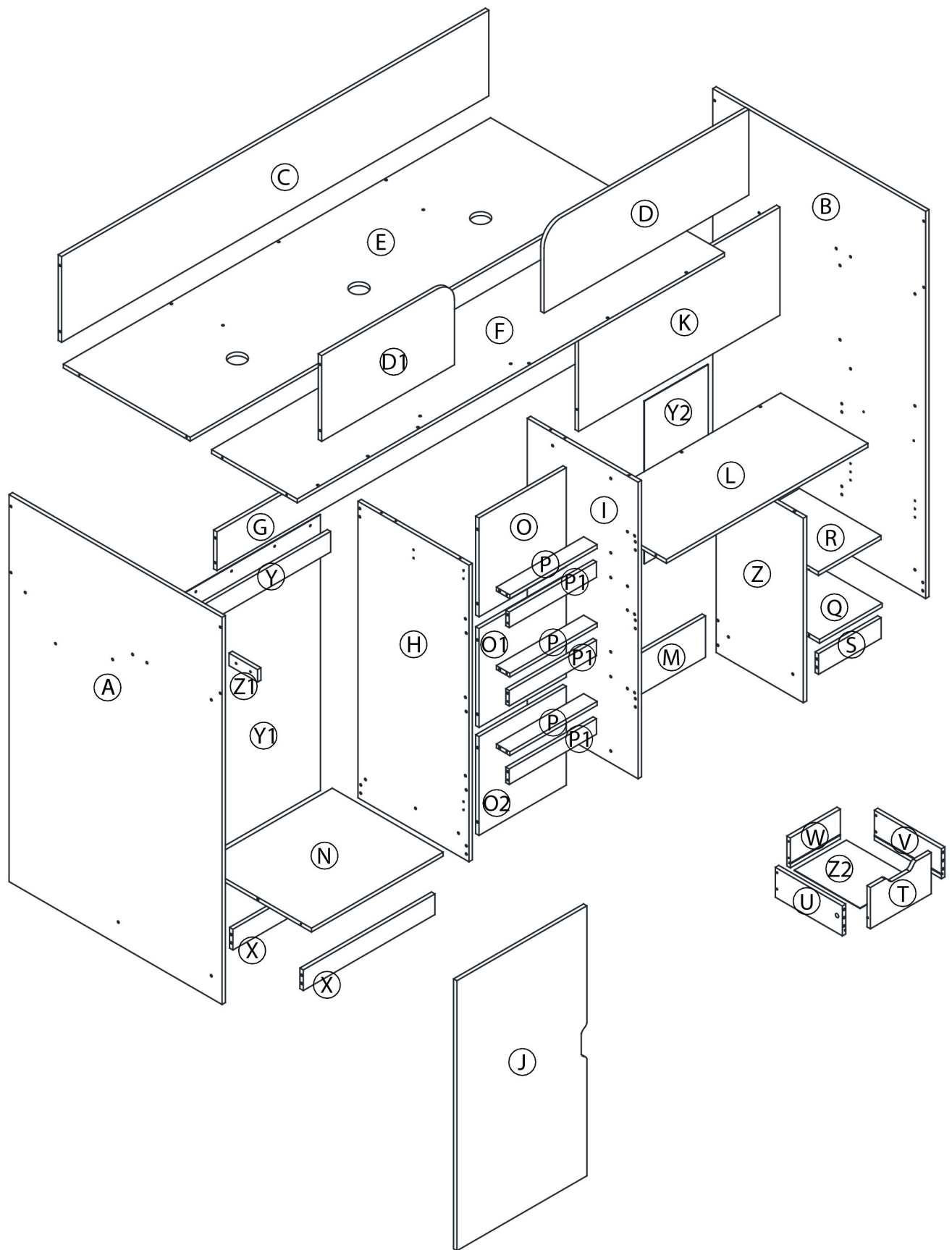
Use a soft, dry cloth to clean - do not use any detergents or chemicals.

Avoid contact with water and direct sunlight. **DO NOT** place bed near heat sources, window to keep the humidity low and prevent mould in and around the bed.

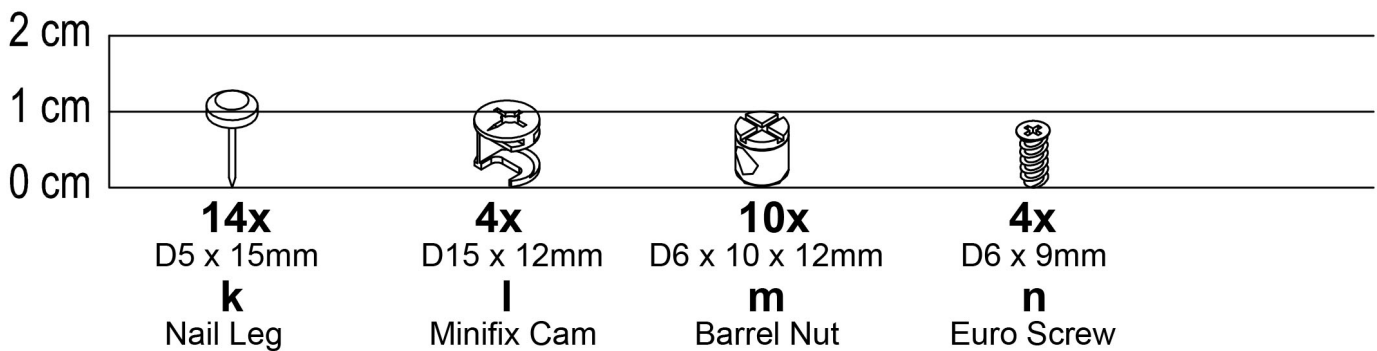
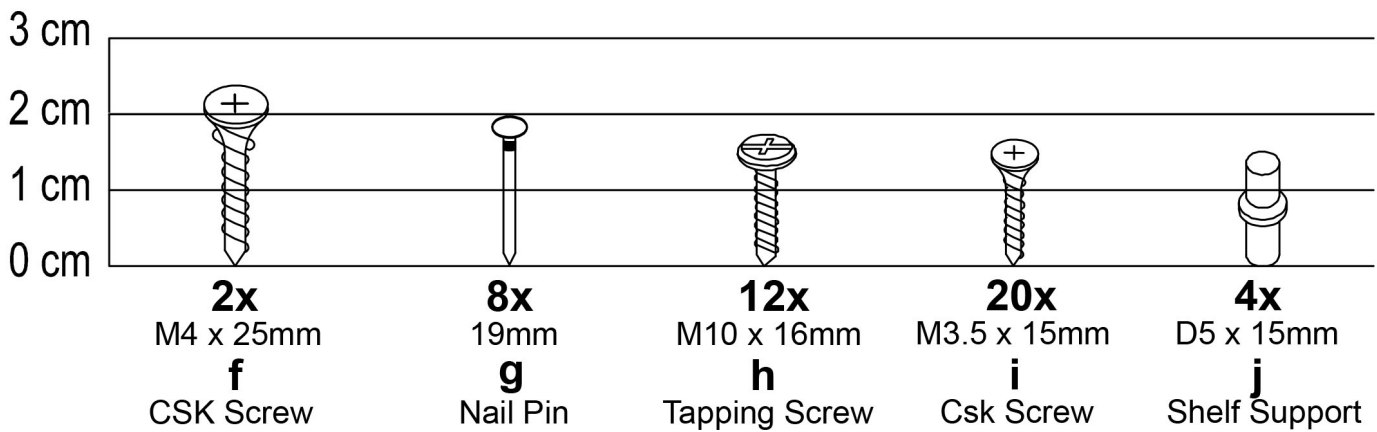
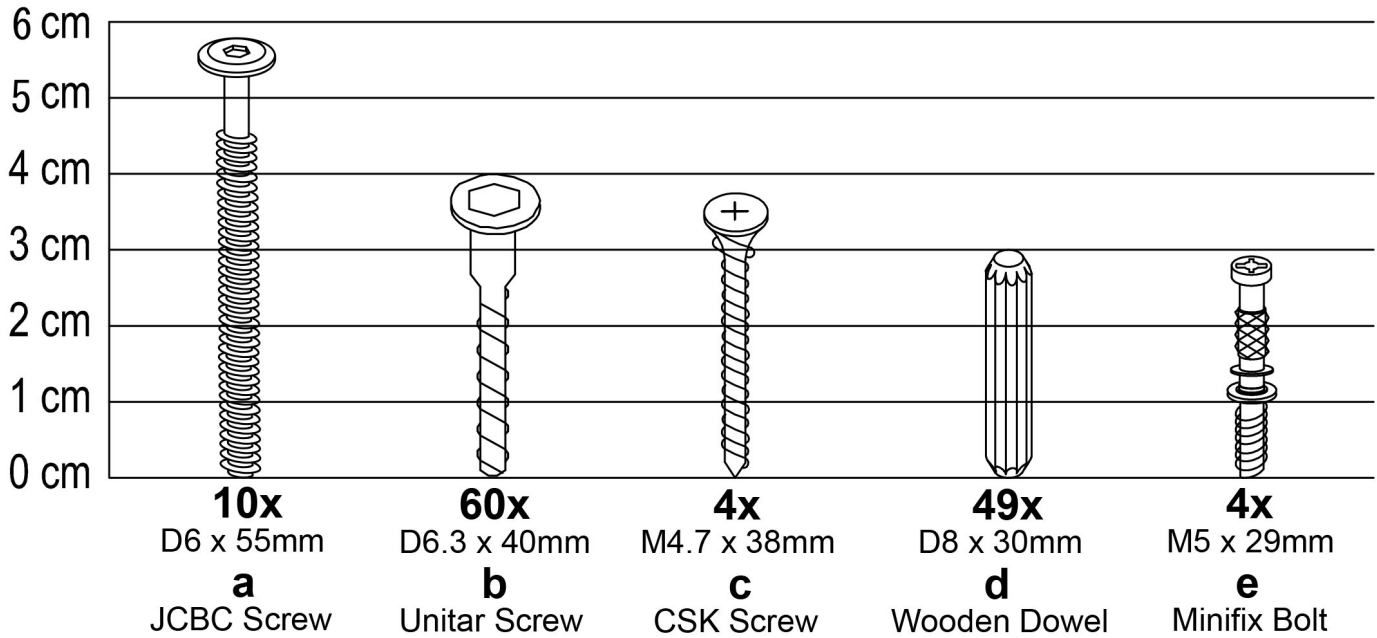
INFORMATION

- Maximum thickness of mattress 15cm. Please refer to marking on headboard.
- Recommend size of mattress L192cm x W92cm x H15cm
- When you are ready to start, make sure that you have the right tools in a clean, dry area for assembly.
- Check the pack and make sure you have all the part listed.
- Ensure that this product is fully assembled and secured as illustrated before use.

www.birlea.com



Fixings (to scale)

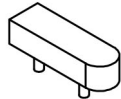


Fixings (not to scale)



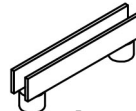
2x

o
Plastic U-Bracket



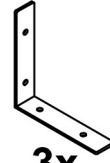
2x

p
Door Stopper



4x

q
MDF Support



3x

1.6 x 26 x 120mm

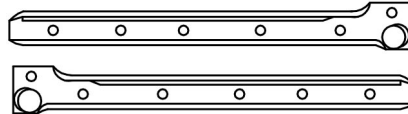
r
Metal L - Bracket



3x

(7/8")

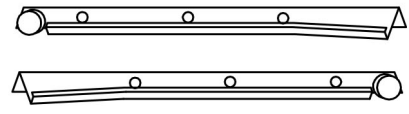
s
Hinges



1x

12" (300mm)

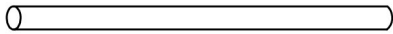
t
Drawer Slide



1x

12" (300mm)

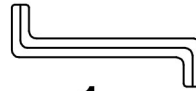
u
Drawer Slide



1x

L - (581mm)

v
Metal Hanger



1x

M4

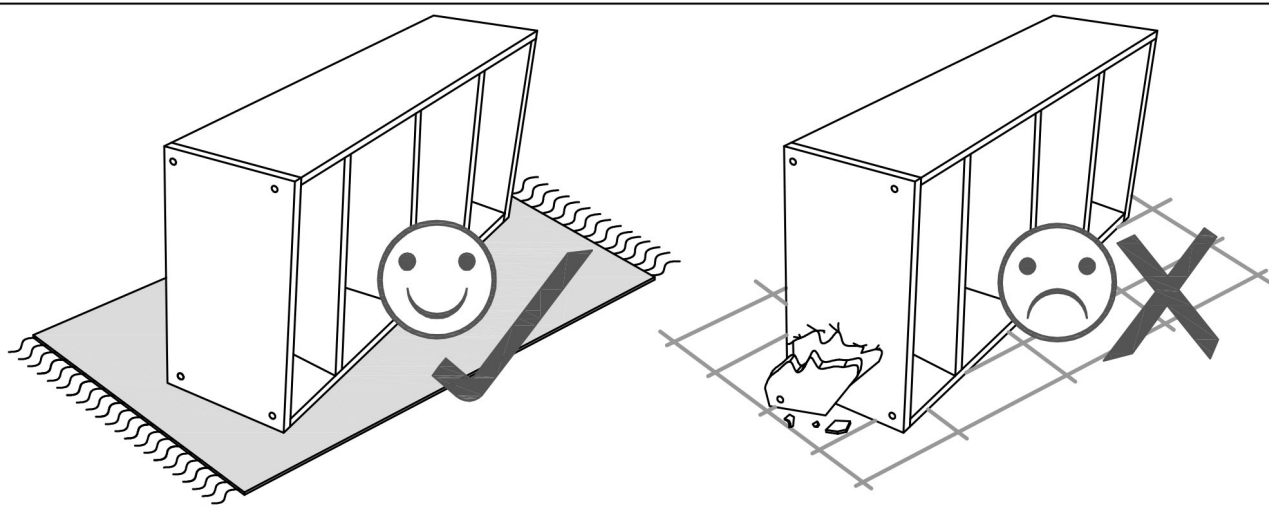
x
Allen Key



17x

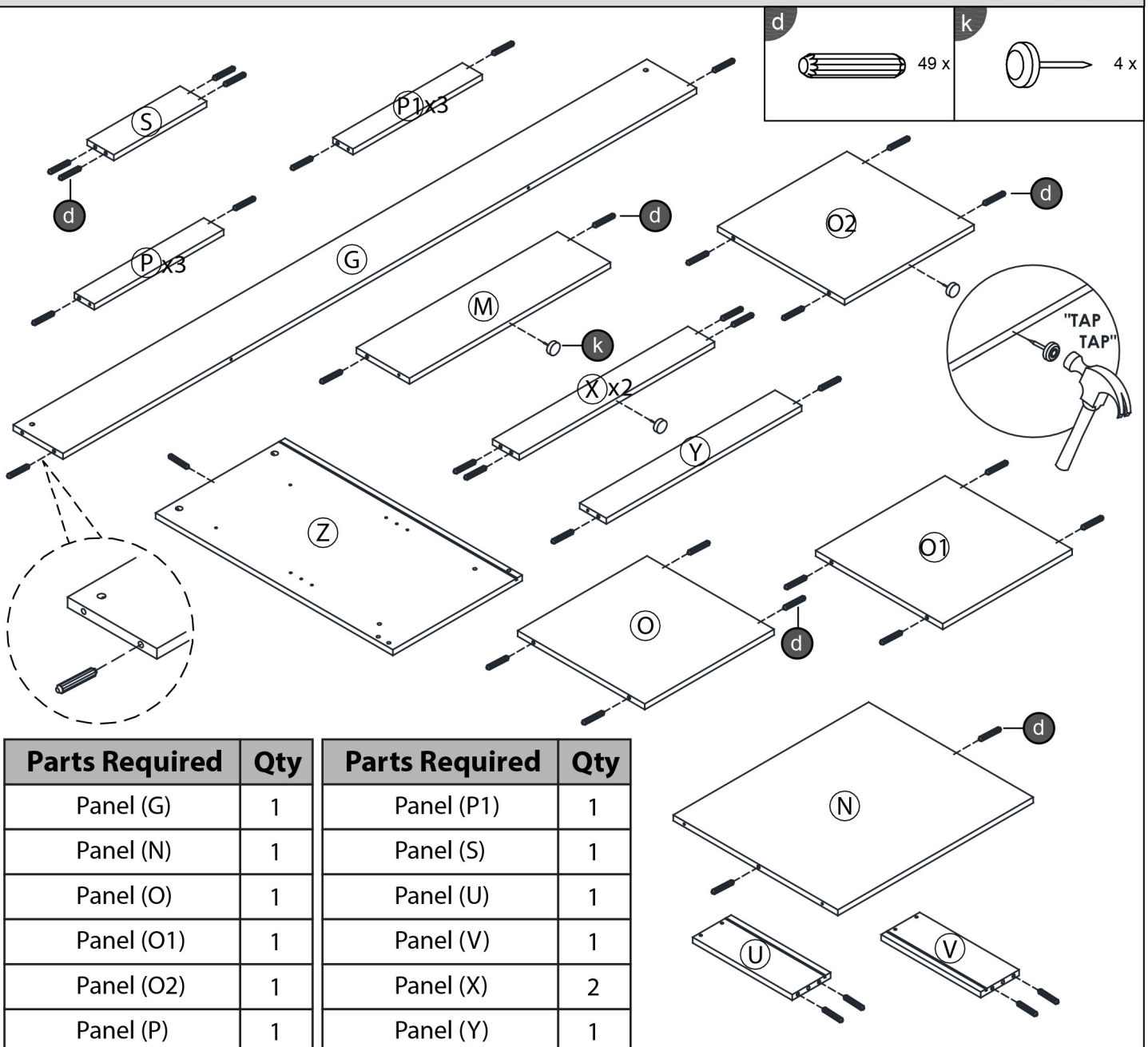
D.19

y
Seal Sticker



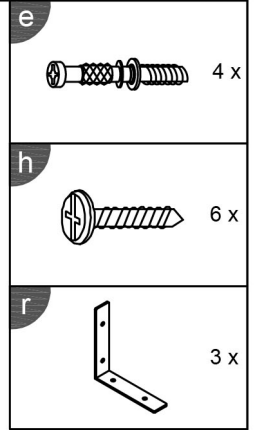
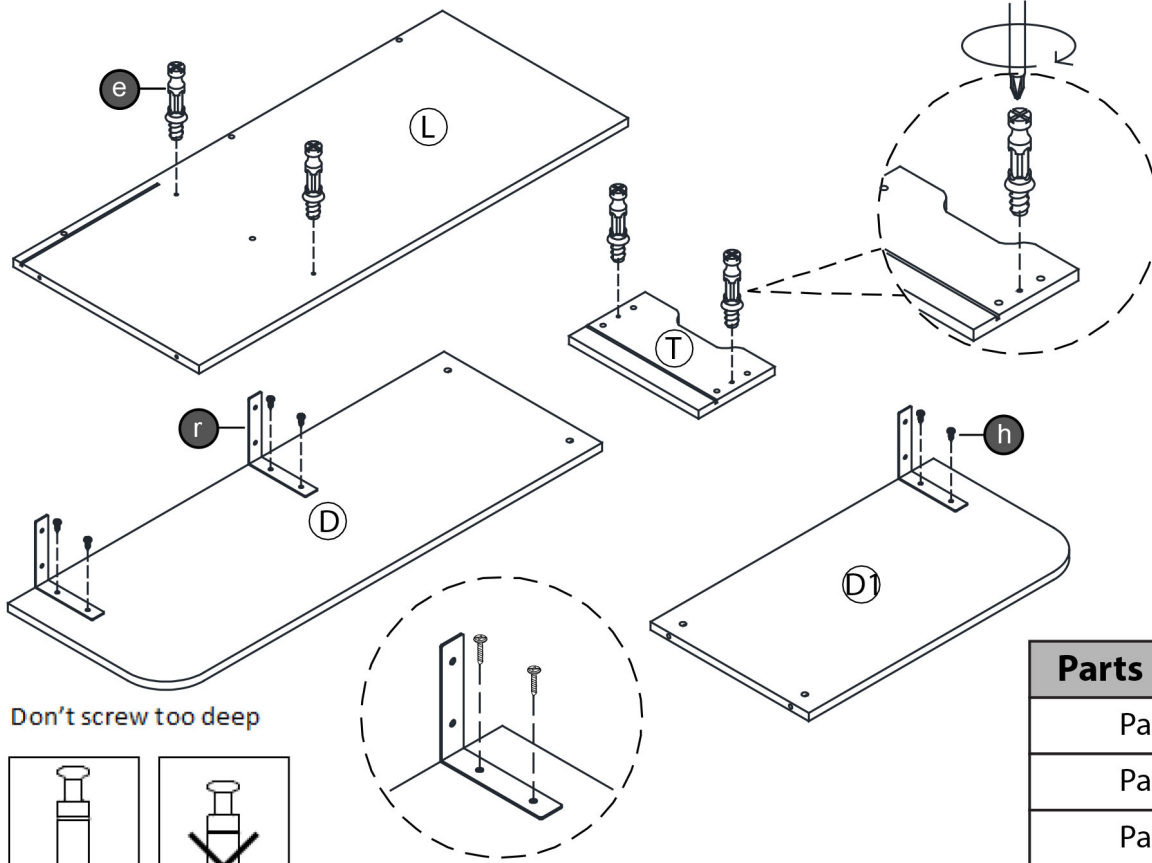
Layout Parts on Soft Surface

STEP 1



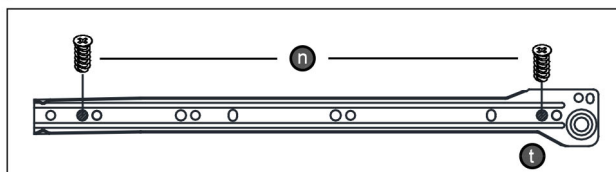
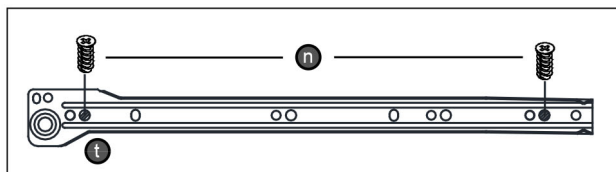
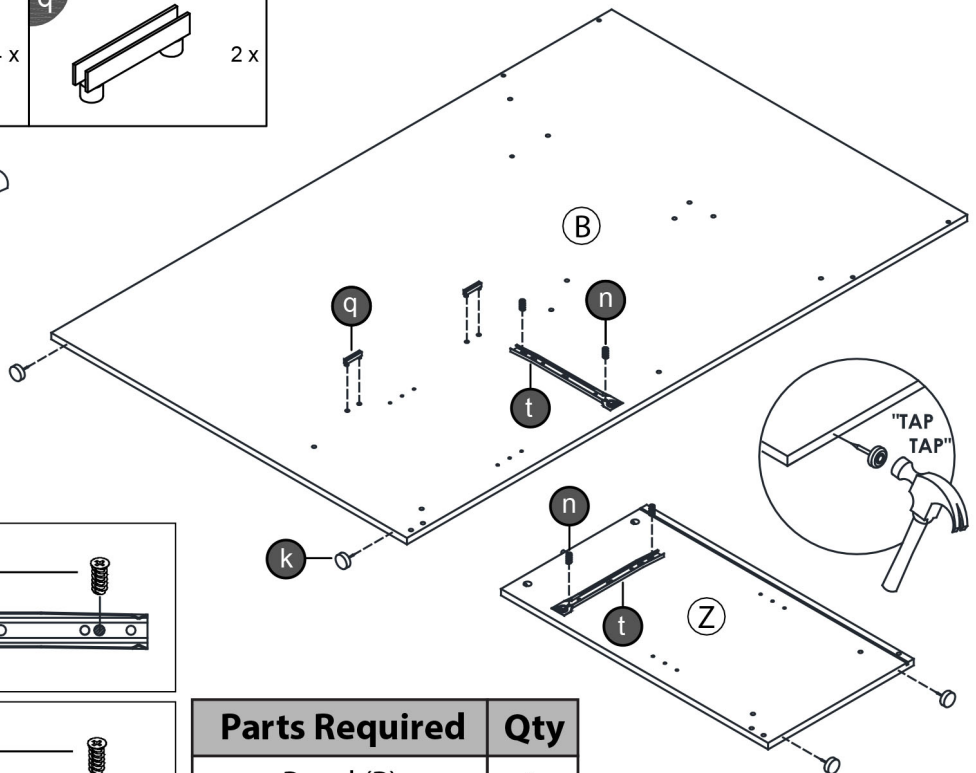
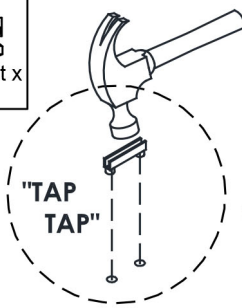
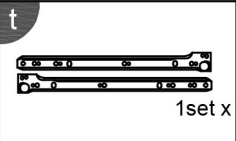
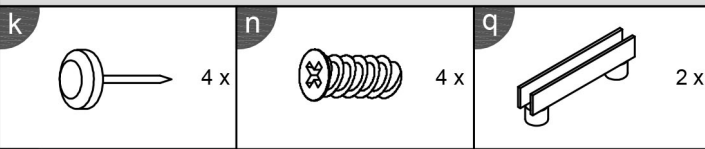
Parts Required	Qty	Parts Required	Qty
Panel (G)	1	Panel (P1)	1
Panel (N)	1	Panel (S)	1
Panel (O)	1	Panel (U)	1
Panel (O1)	1	Panel (V)	1
Panel (O2)	1	Panel (X)	2
Panel (P)	1	Panel (Y)	1

STEP 2



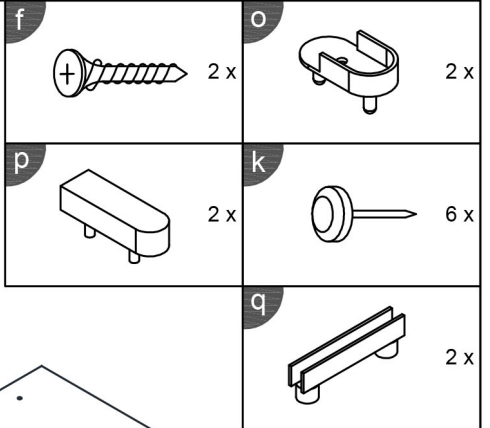
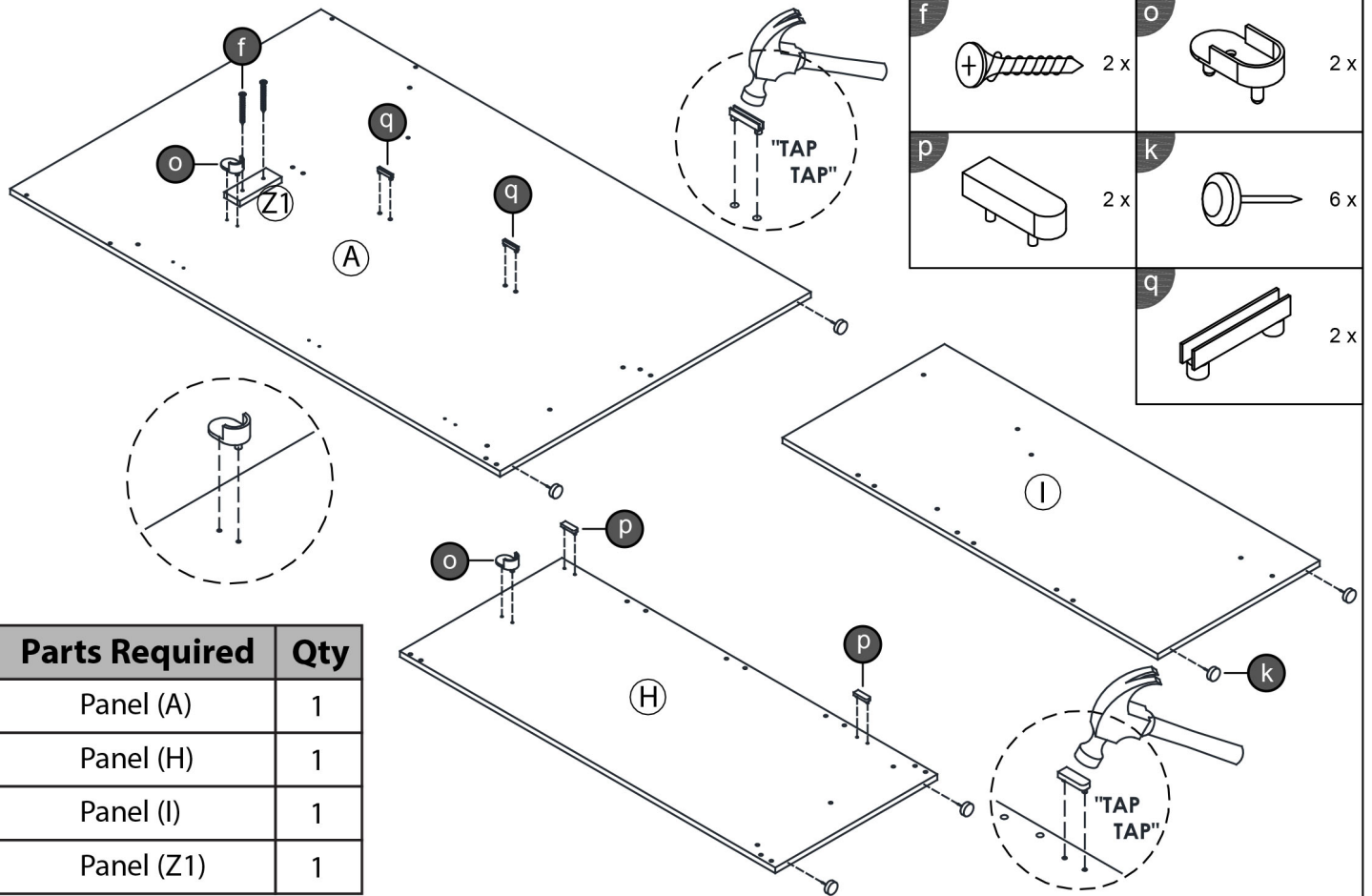
Parts Required	Qty
Panel (D)	1
Panel (D1)	1
Panel (L)	1
Panel (T)	1

STEP 3



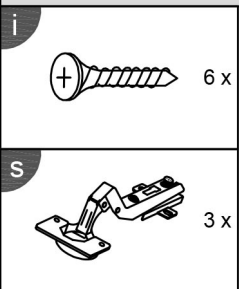
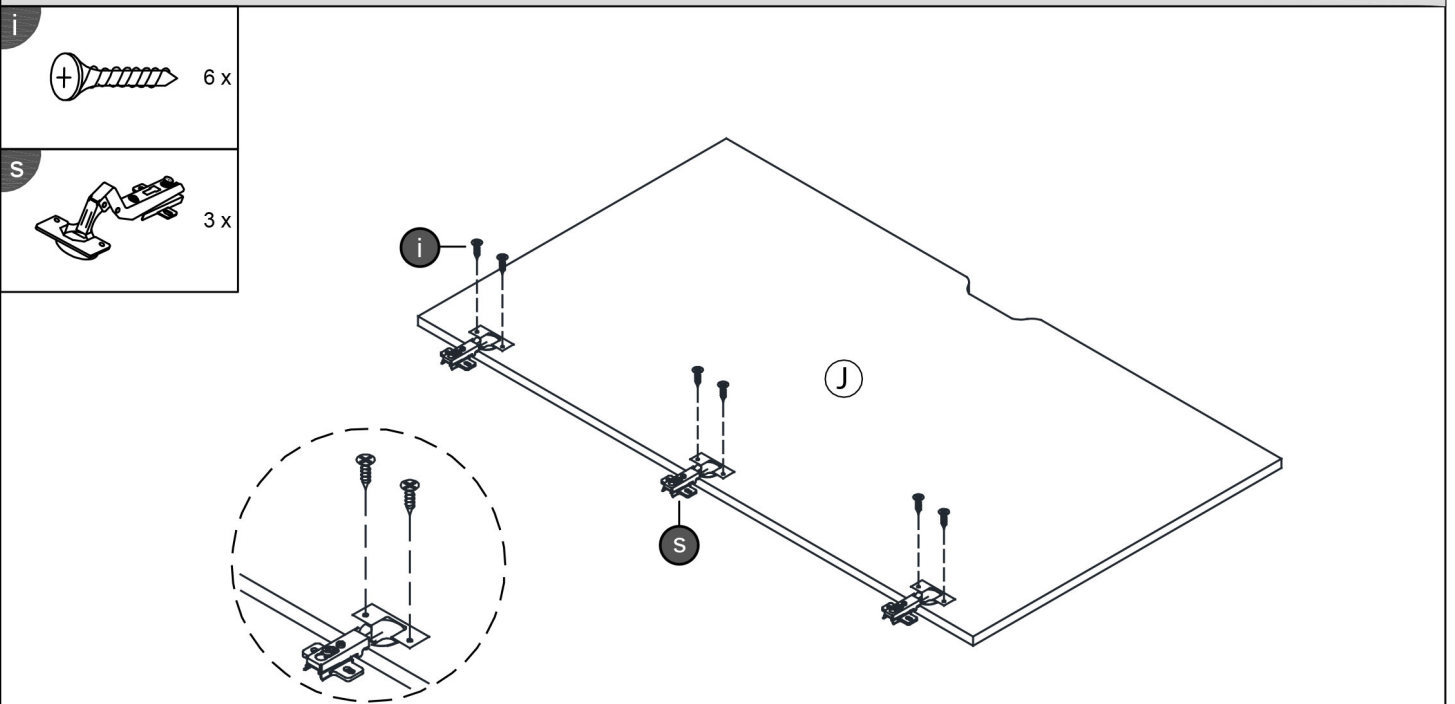
Parts Required	Qty
Panel (B)	1
Panel (Z)	1

STEP 4



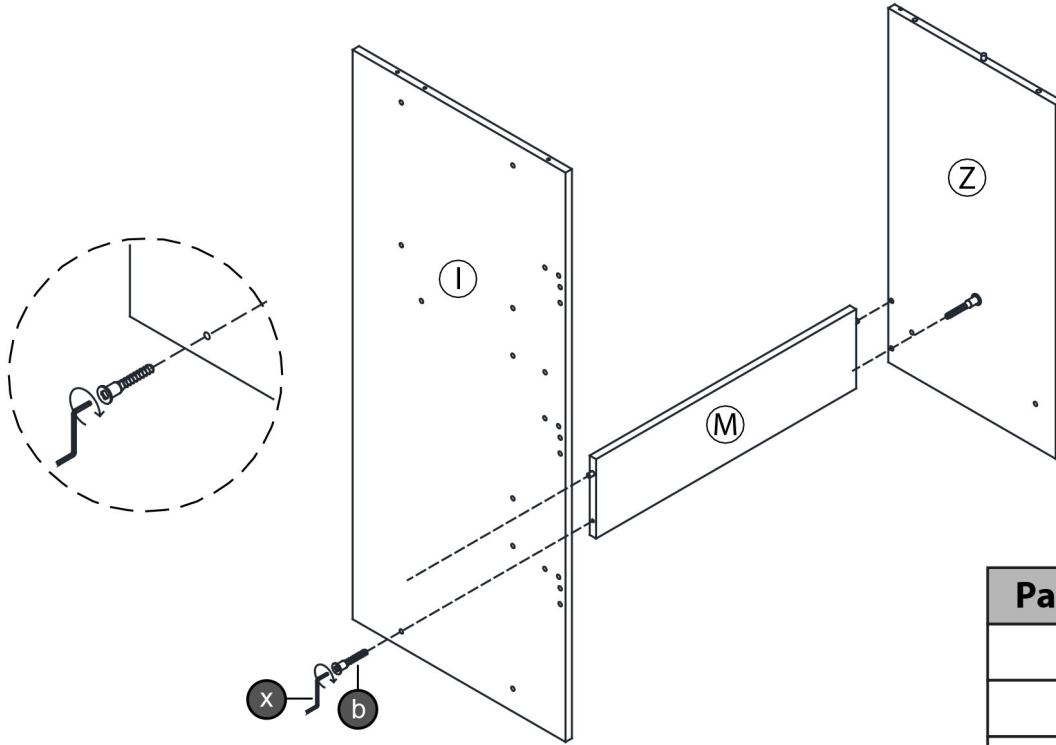
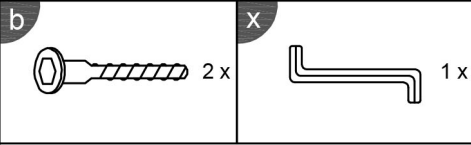
Parts Required	Qty
Panel (A)	1
Panel (H)	1
Panel (I)	1
Panel (Z1)	1

STEP 5



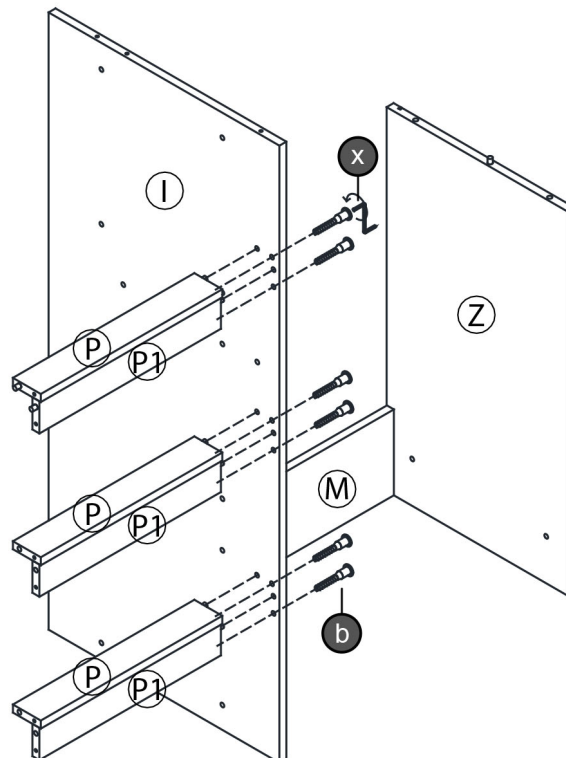
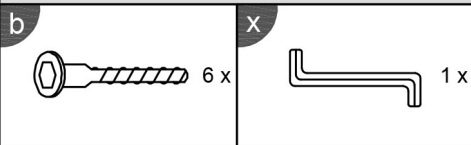
Parts Required	Qty
Panel (J)	1

STEP 6



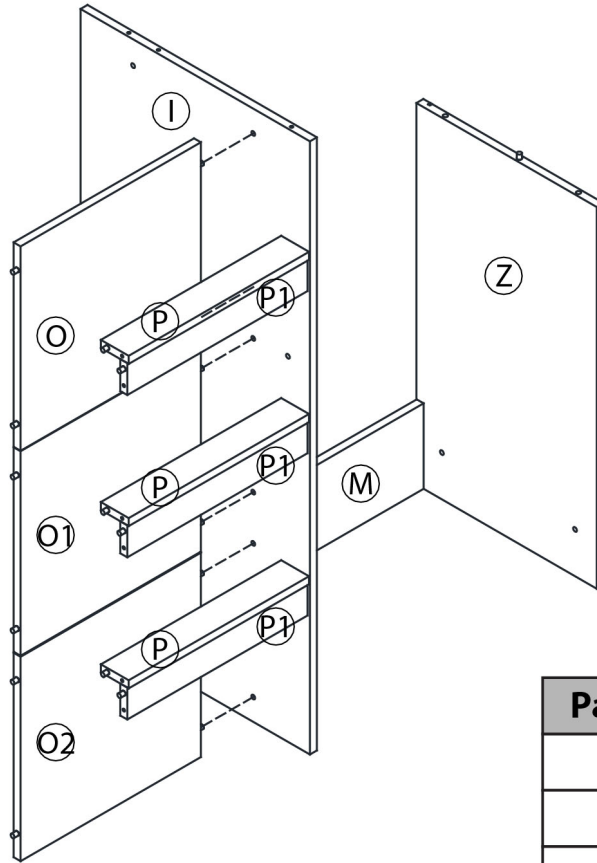
Parts Required	Qty
Panel (I)	1
Panel (M)	1
Panel (Z)	1

STEP 7



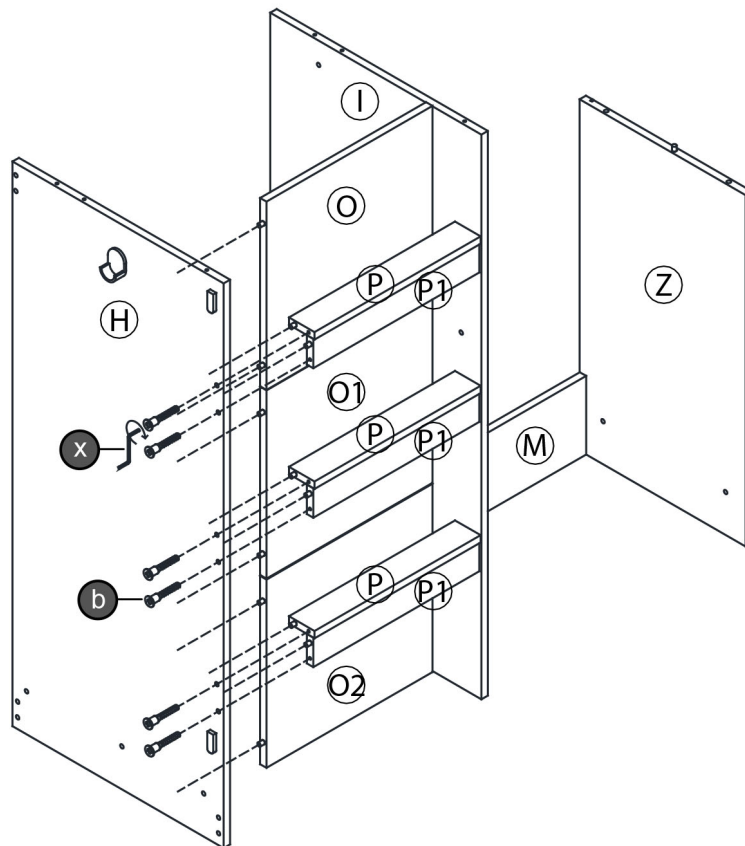
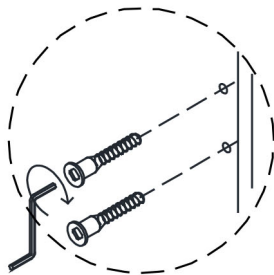
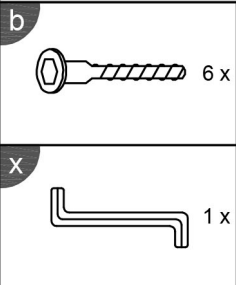
Parts Required	Qty
Panel (P)	3
Panel (P1)	3

STEP 8



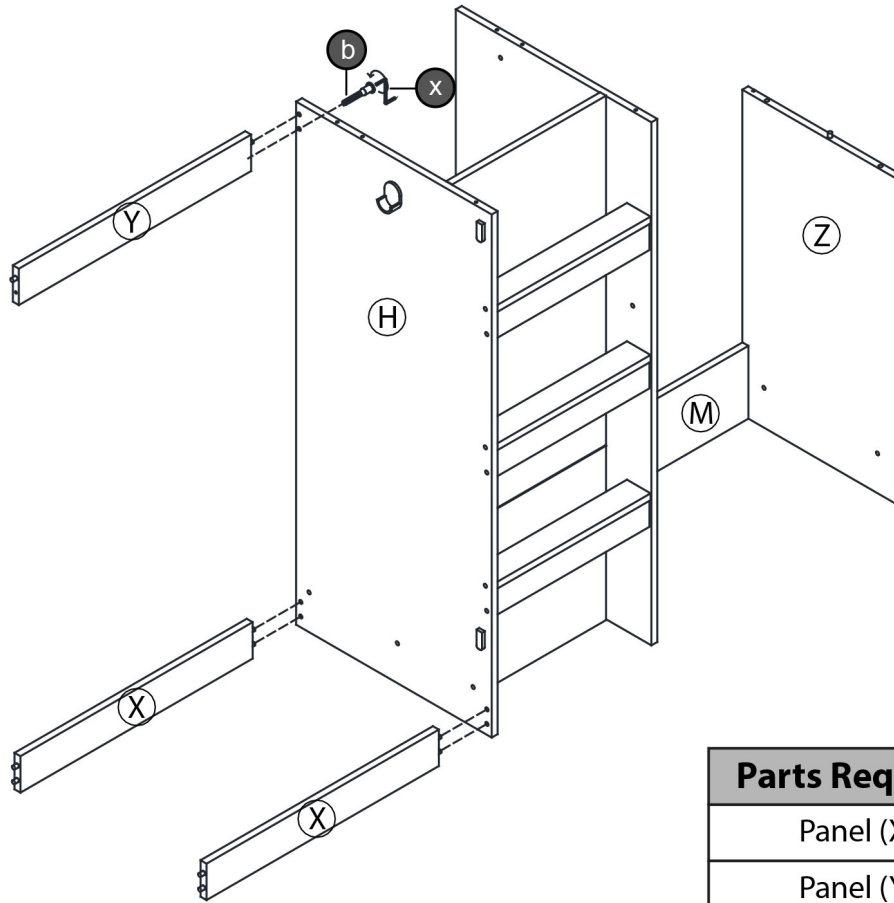
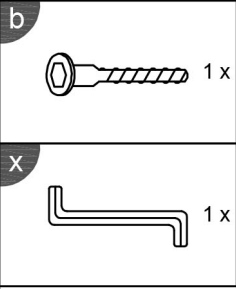
Parts Required	Qty
Panel (O)	1
Panel (O1)	1
Panel (O2)	1

STEP 9



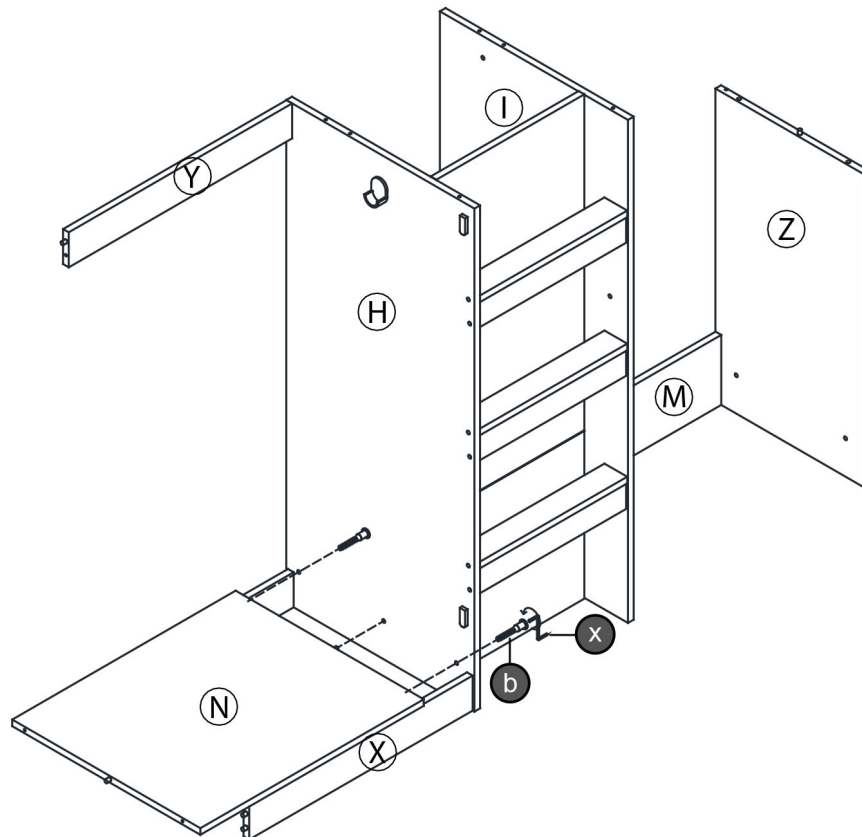
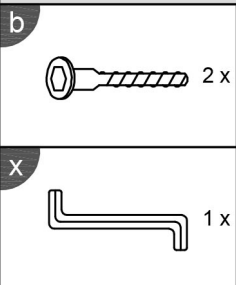
Parts Required	Qty
Panel (H)	1

STEP 10



Parts Required	Qty
Panel (X)	2
Panel (Y)	1

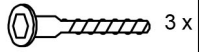
STEP 11



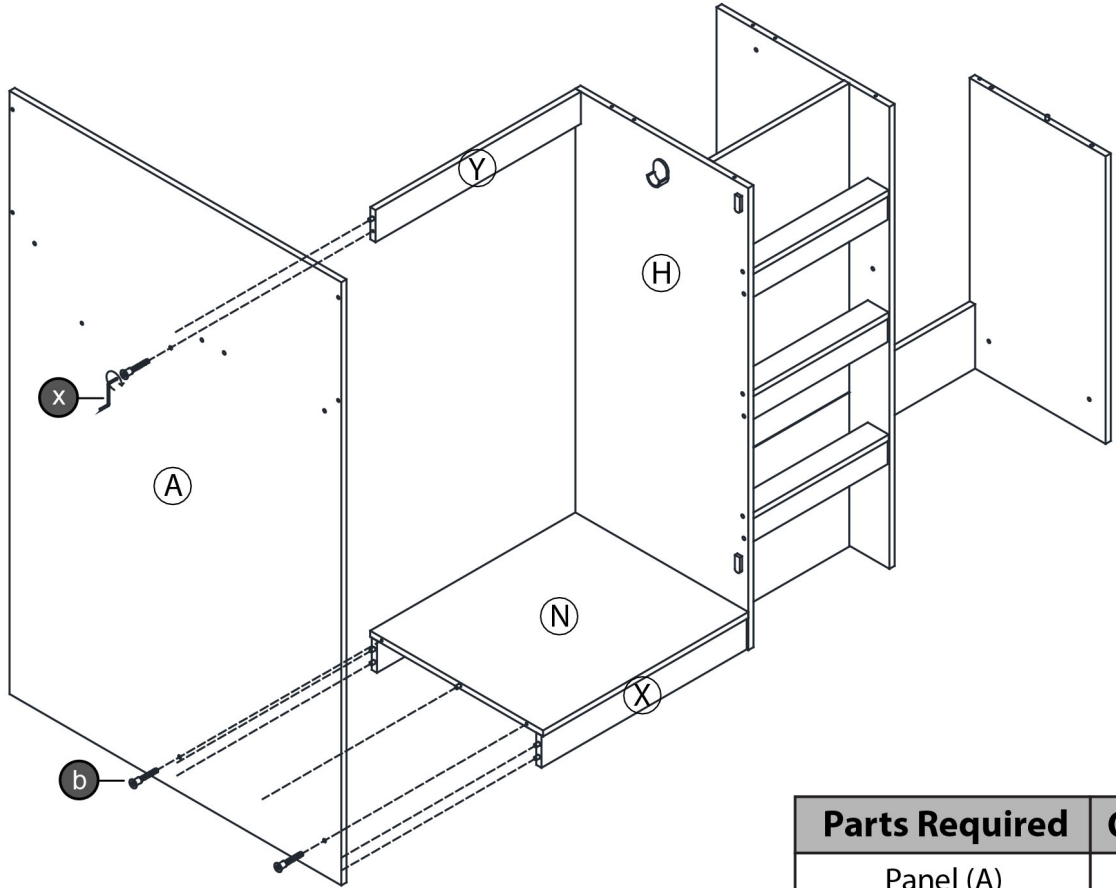
Parts Required	Qty
Panel (N)	1

STEP 12

b



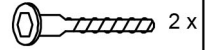
x



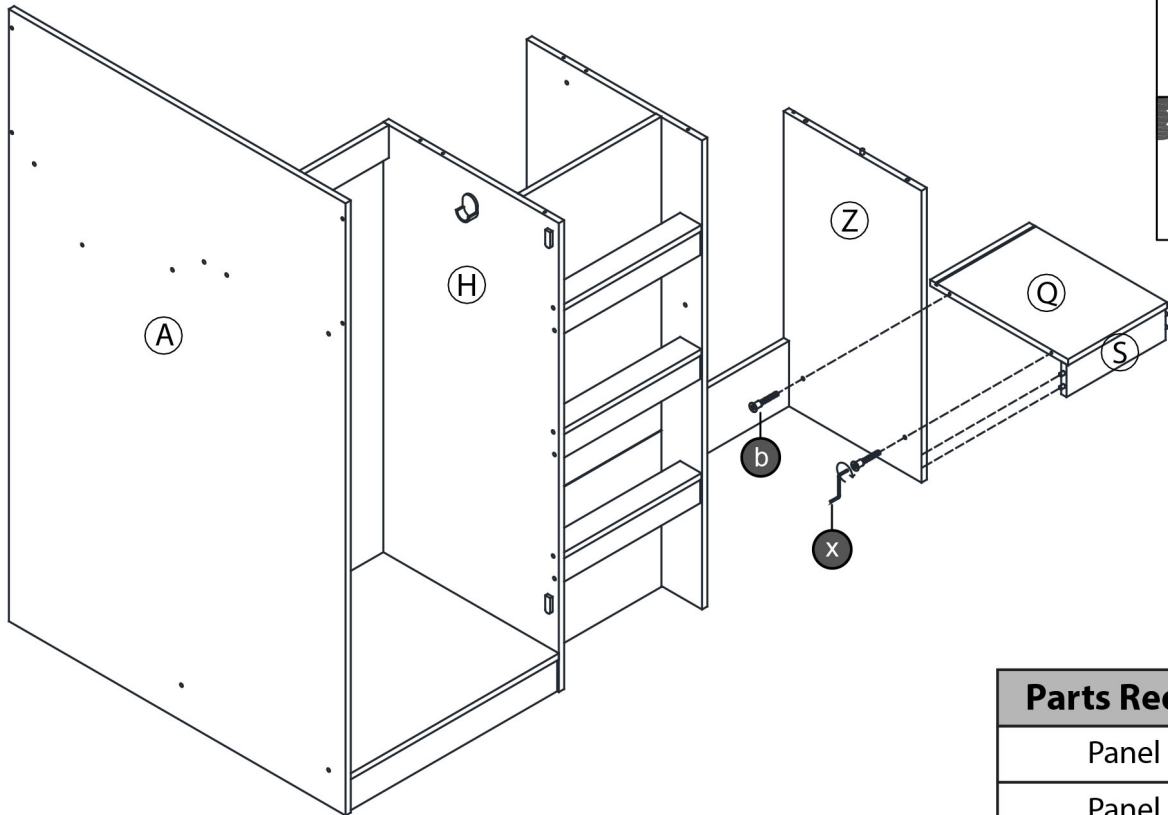
Parts Required	Qty
Panel (A)	1

STEP 13

b

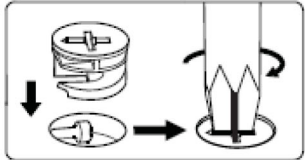
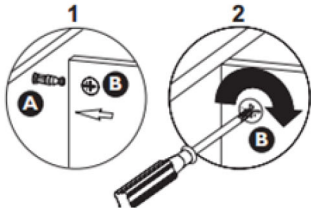
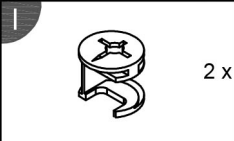
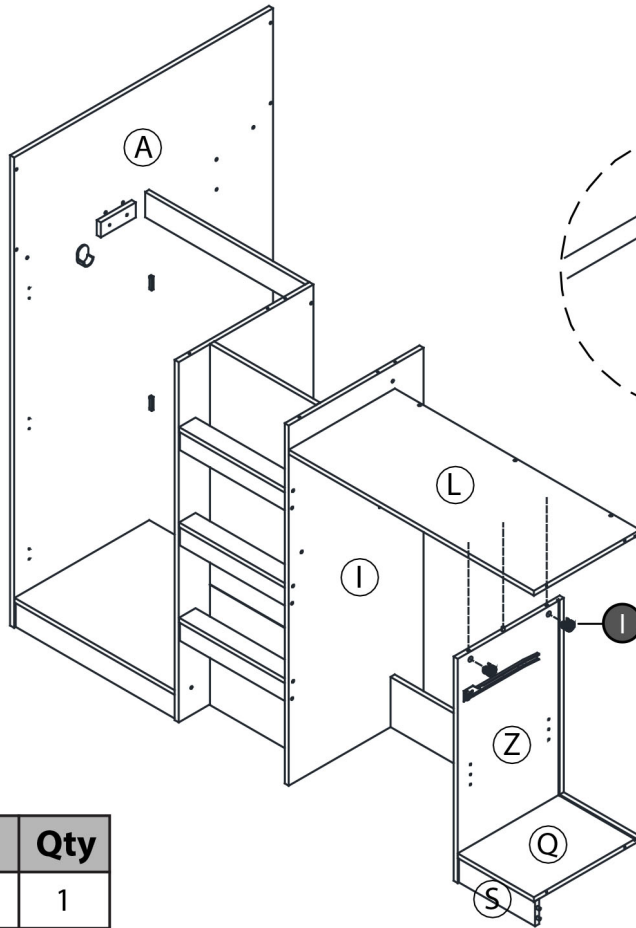


x



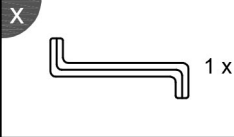
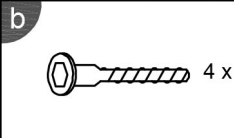
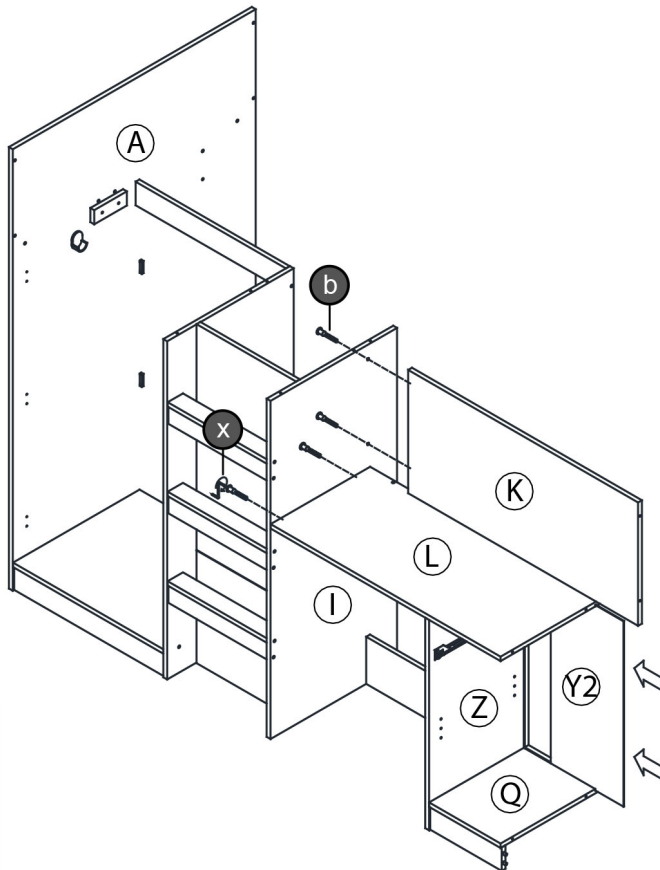
Parts Required	Qty
Panel (Q)	1
Panel (S)	1

STEP 14



Parts Required	Qty
Panel (L)	1

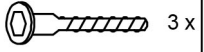
STEP 15



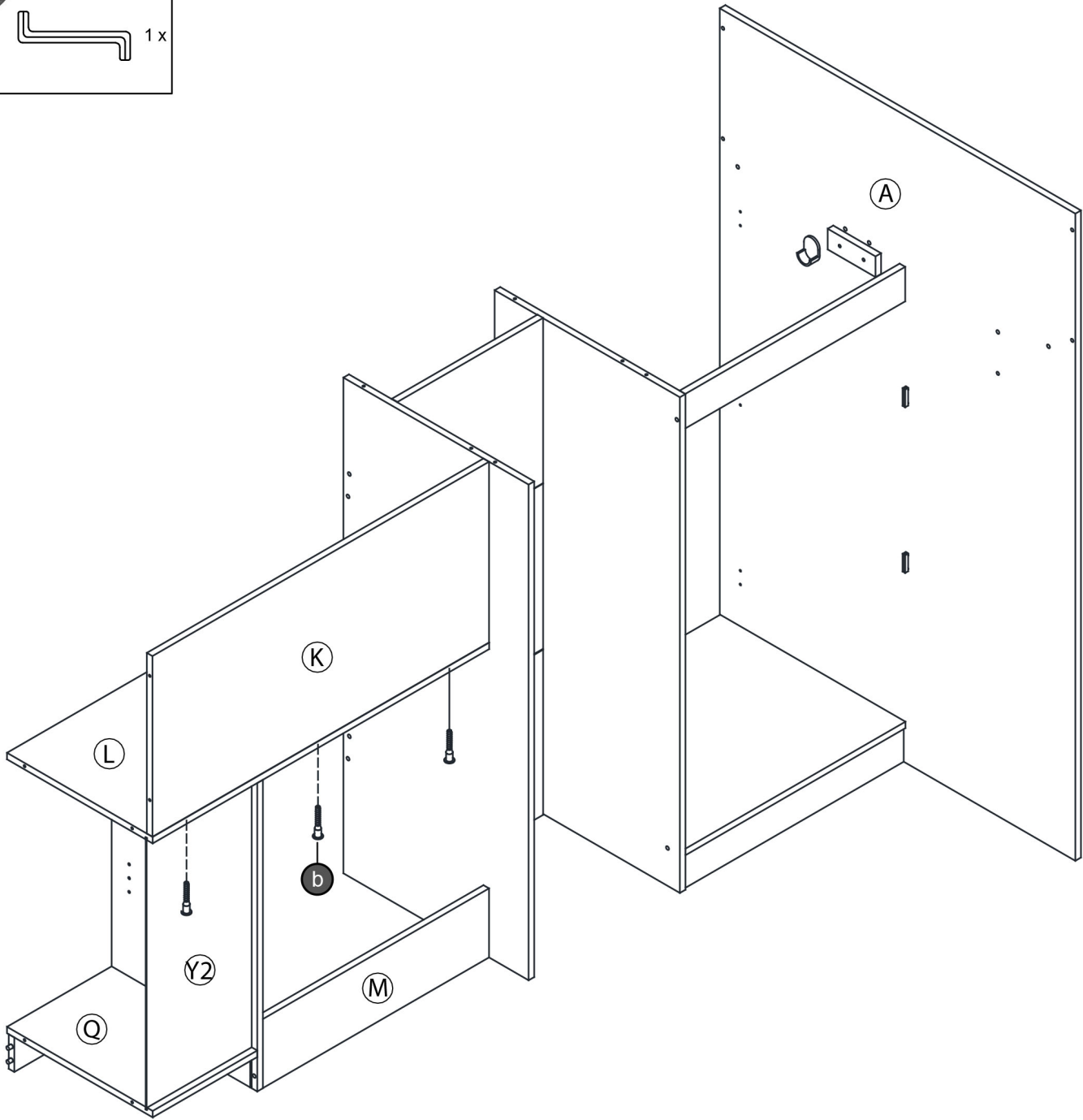
Parts Required	Qty
Panel (K)	1
Panel (Y2)	1

STEP 16

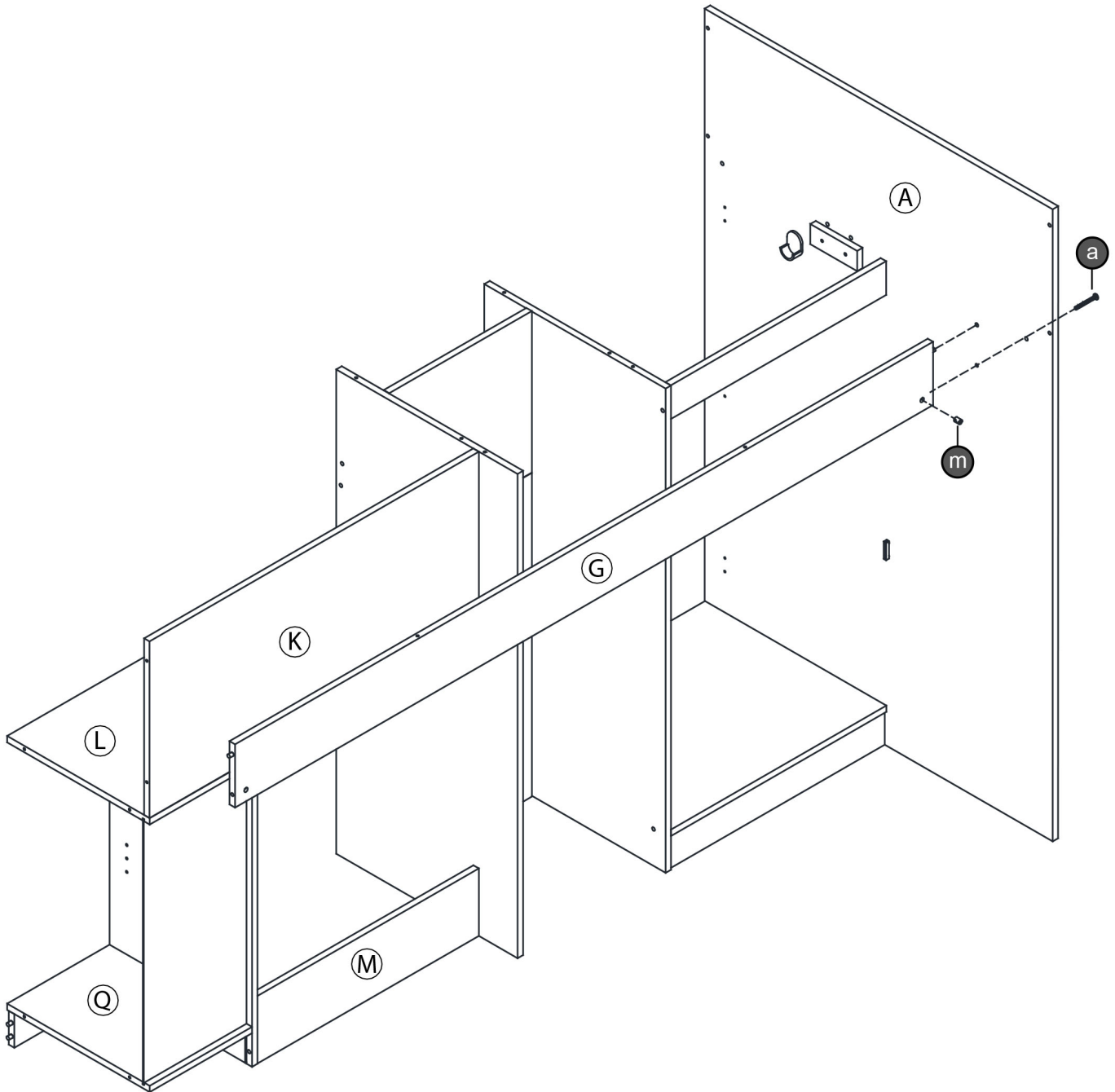
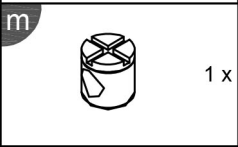
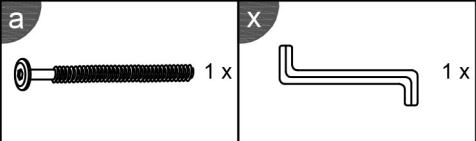
b



x

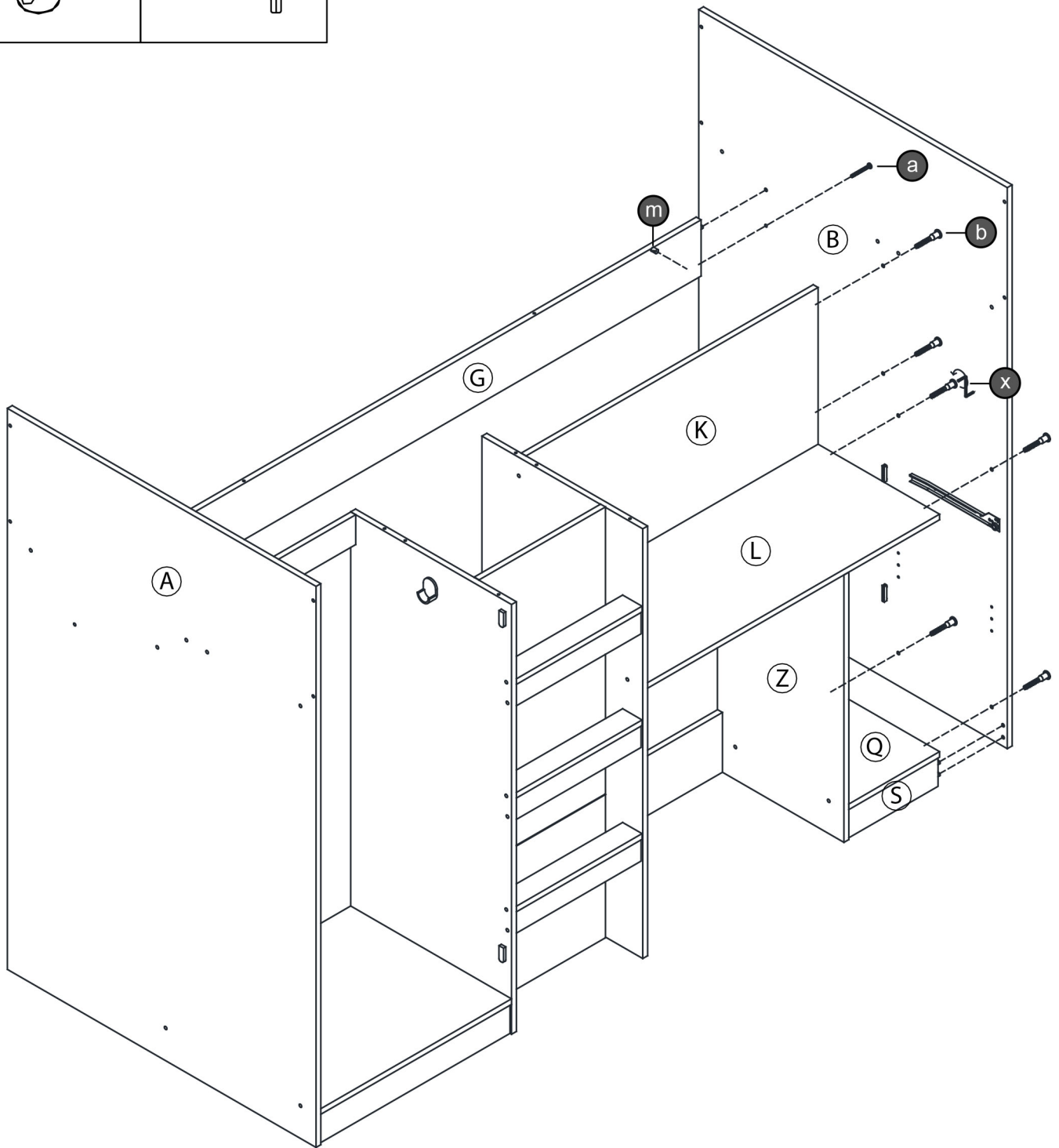
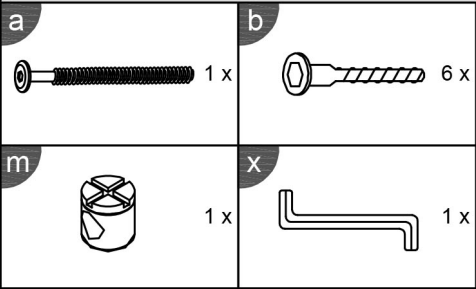


STEP 17



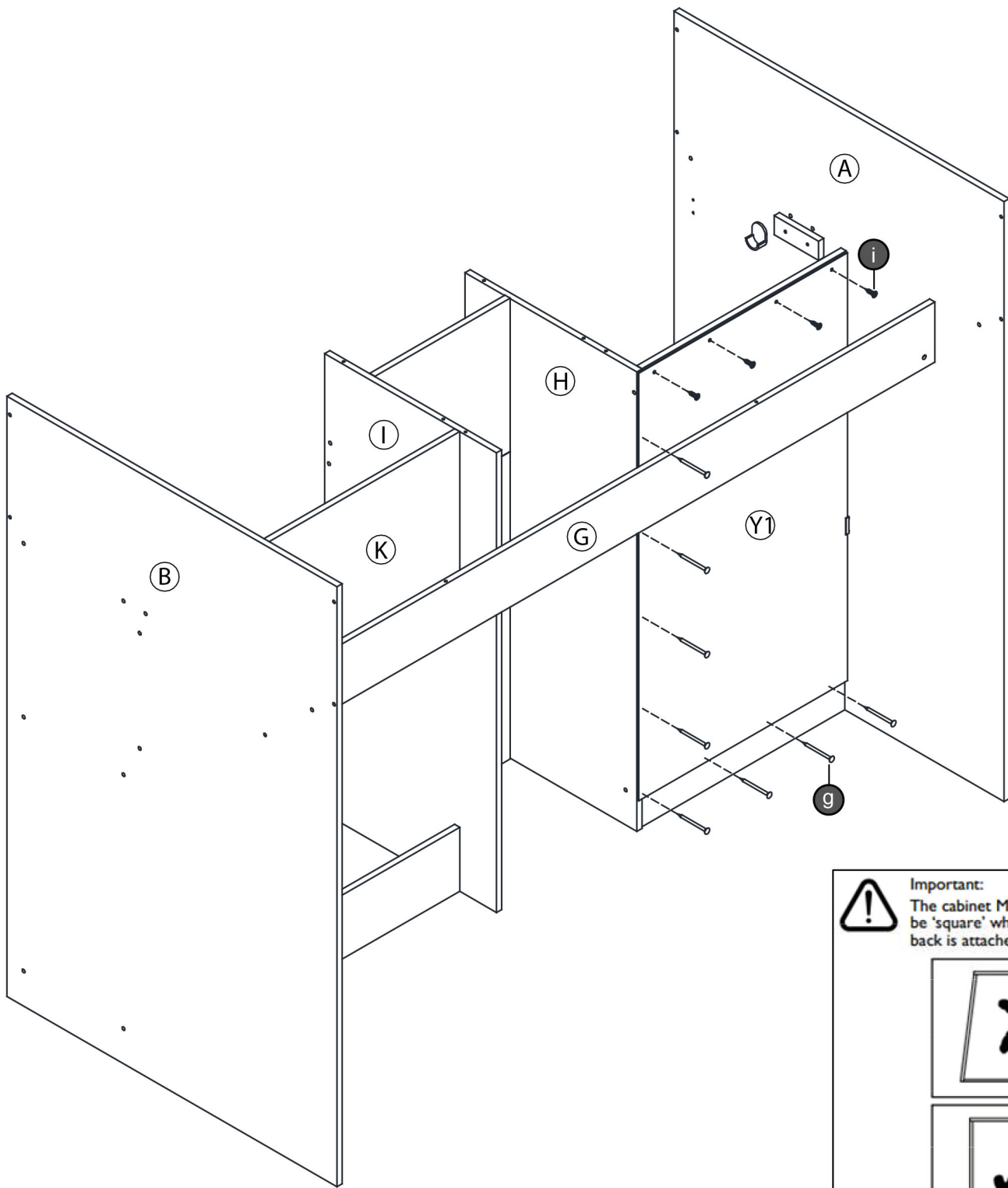
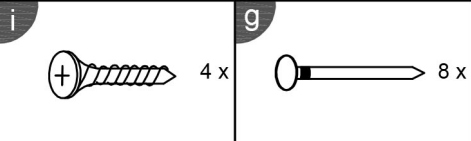
Parts Required	Qty
Panel (G)	1


STEP 18

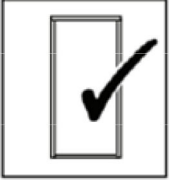
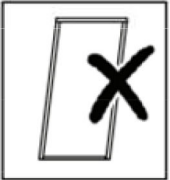


Parts Required	Qty
Panel (B)	1

STEP 19

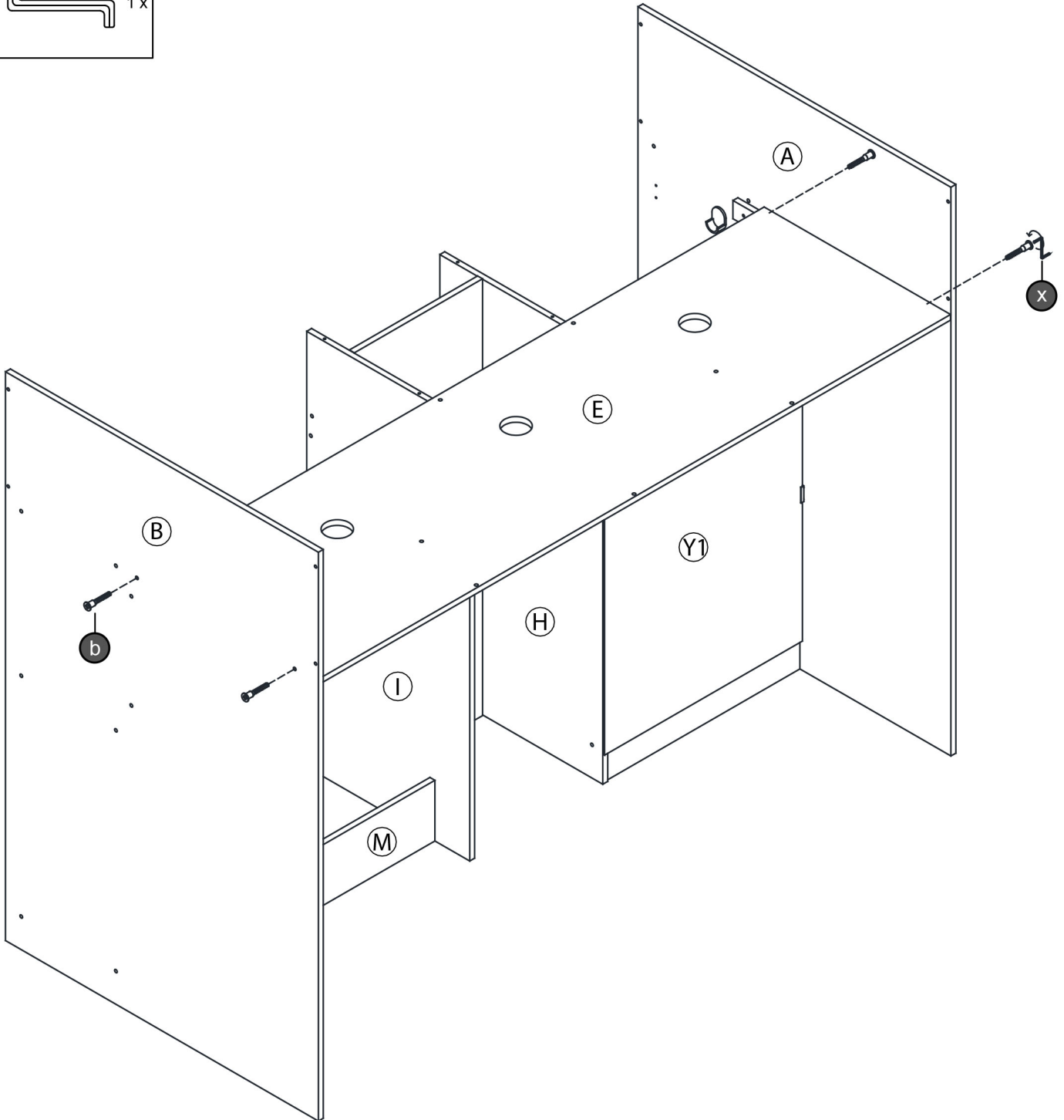
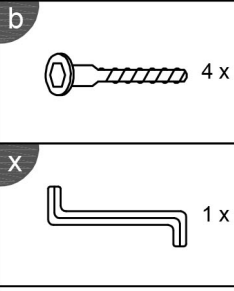


 Important:
The cabinet **MUST**
be 'square' when the
back is attached.



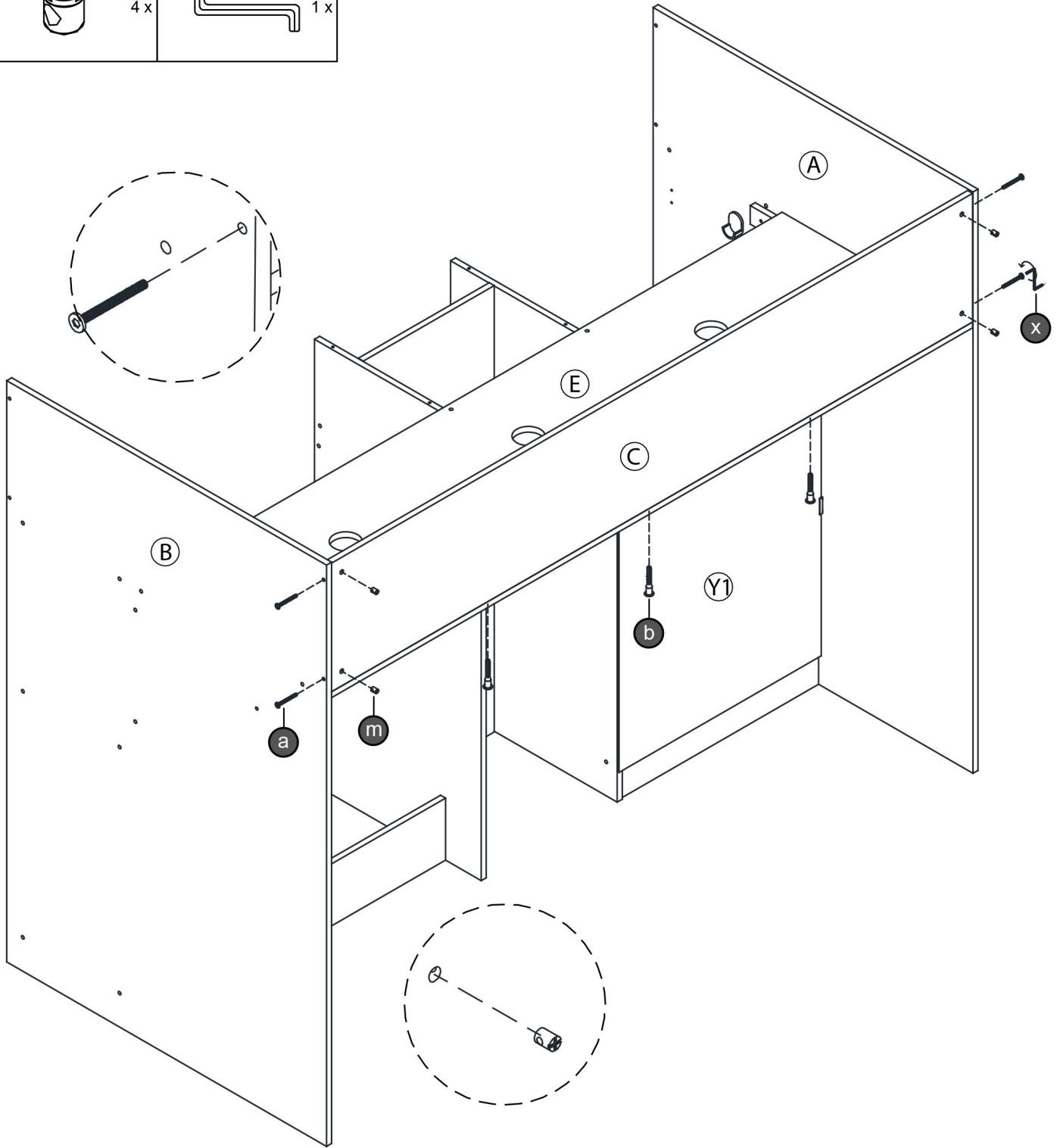
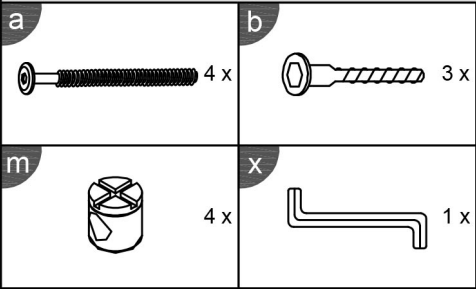
Parts Required	Qty
Panel (Y1)	1

STEP 20



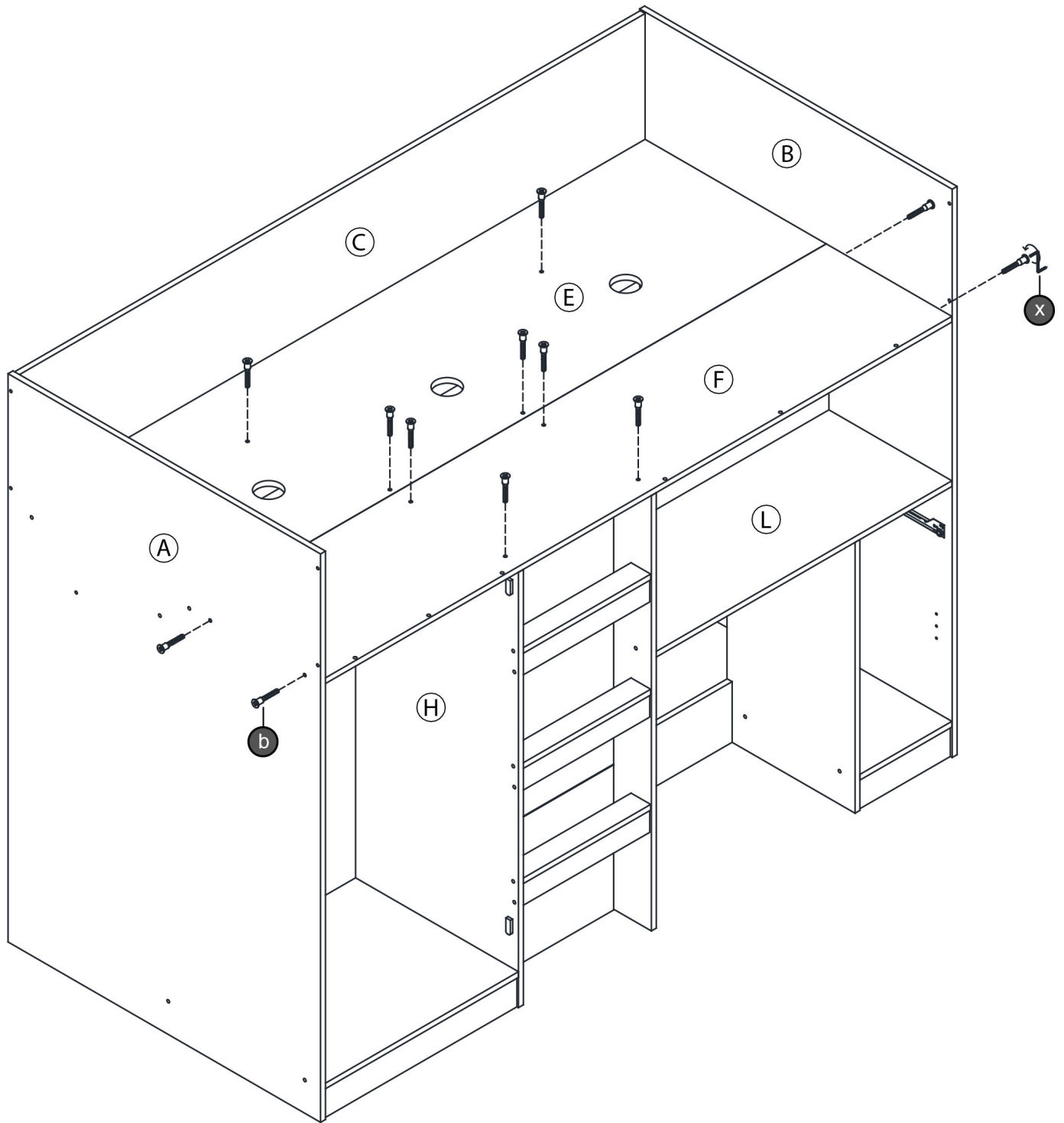
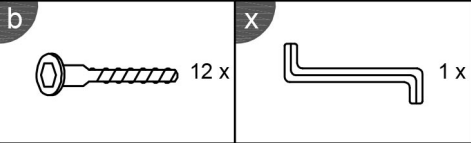
Parts Required	Qty
Panel (E)	1

STEP 21



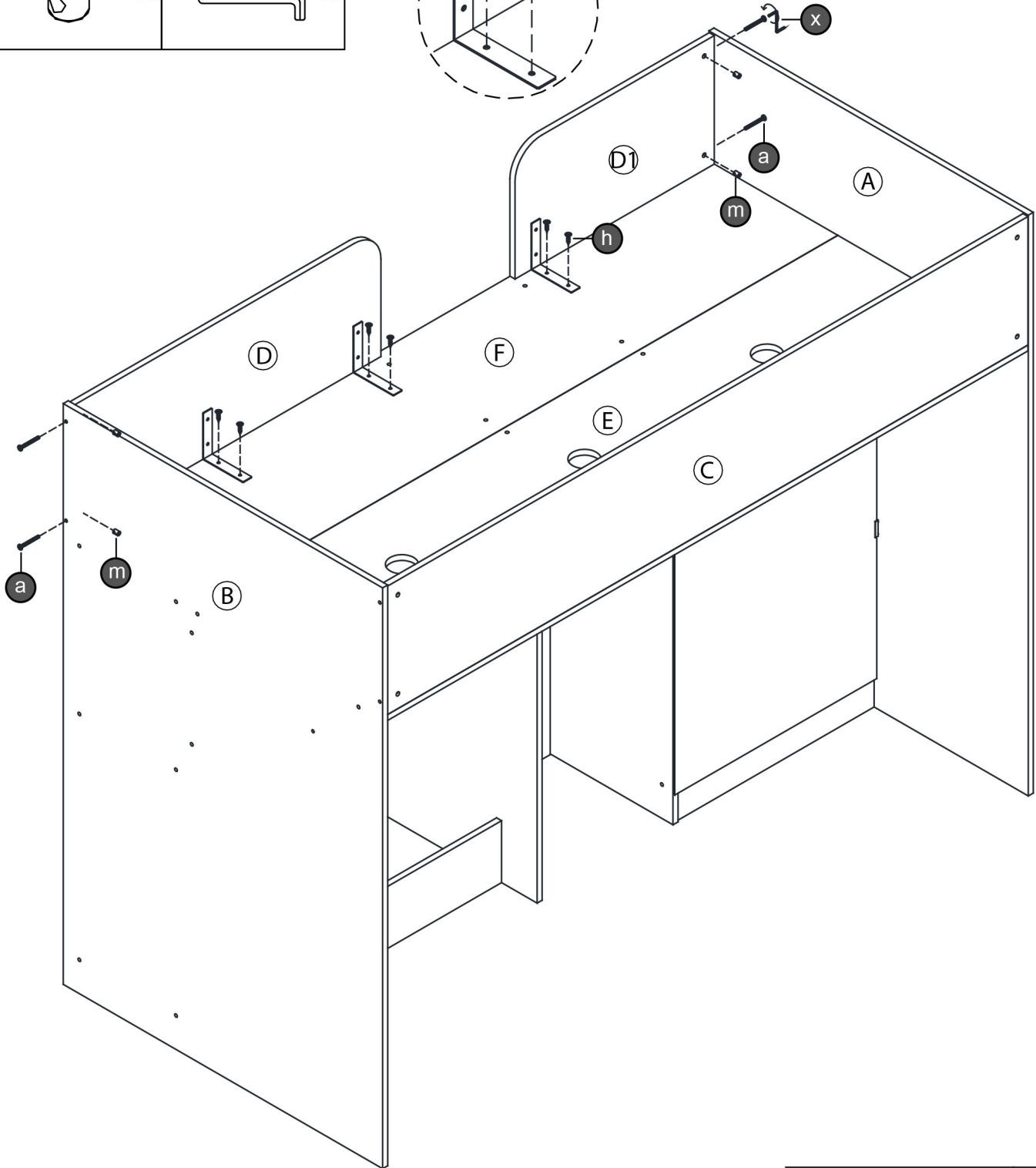
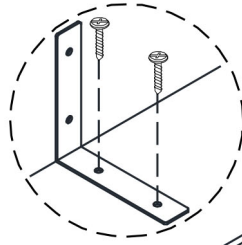
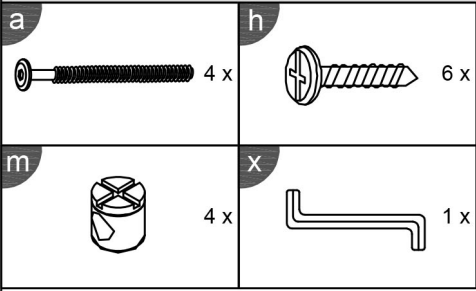
Parts Required	Qty
Panel (C)	1

STEP 22



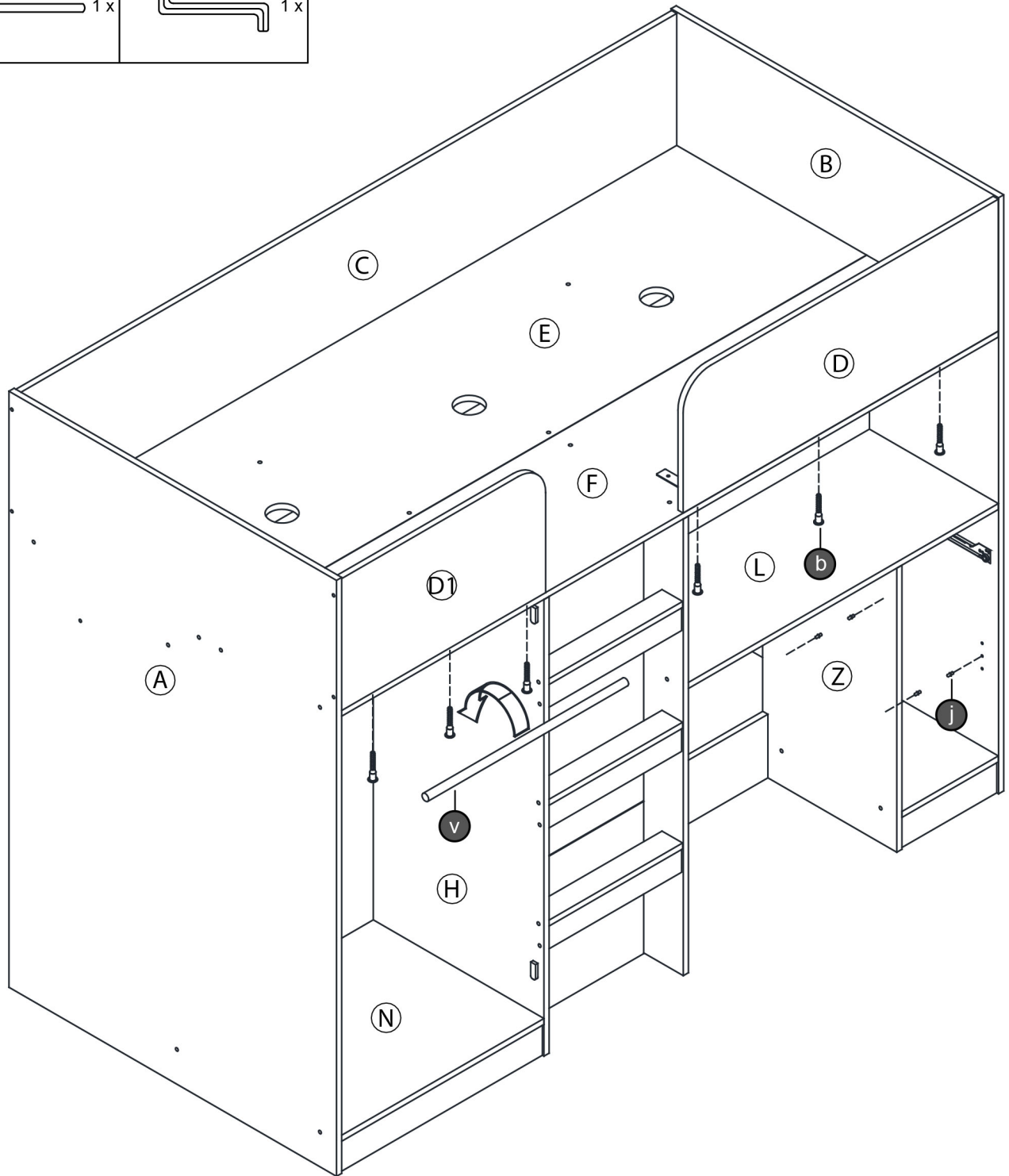
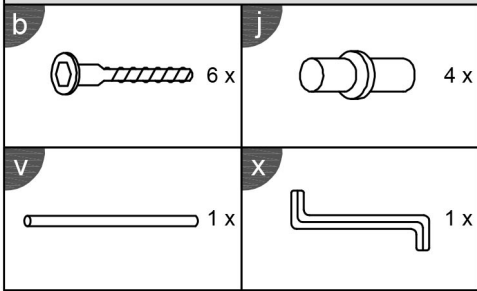
Parts Required	Qty
Panel (F)	1

STEP 23

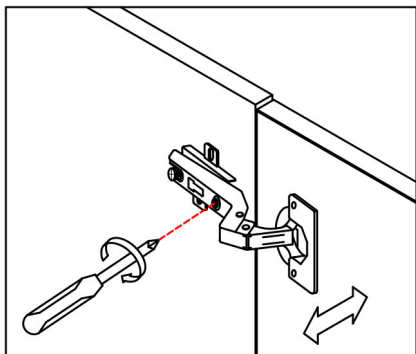
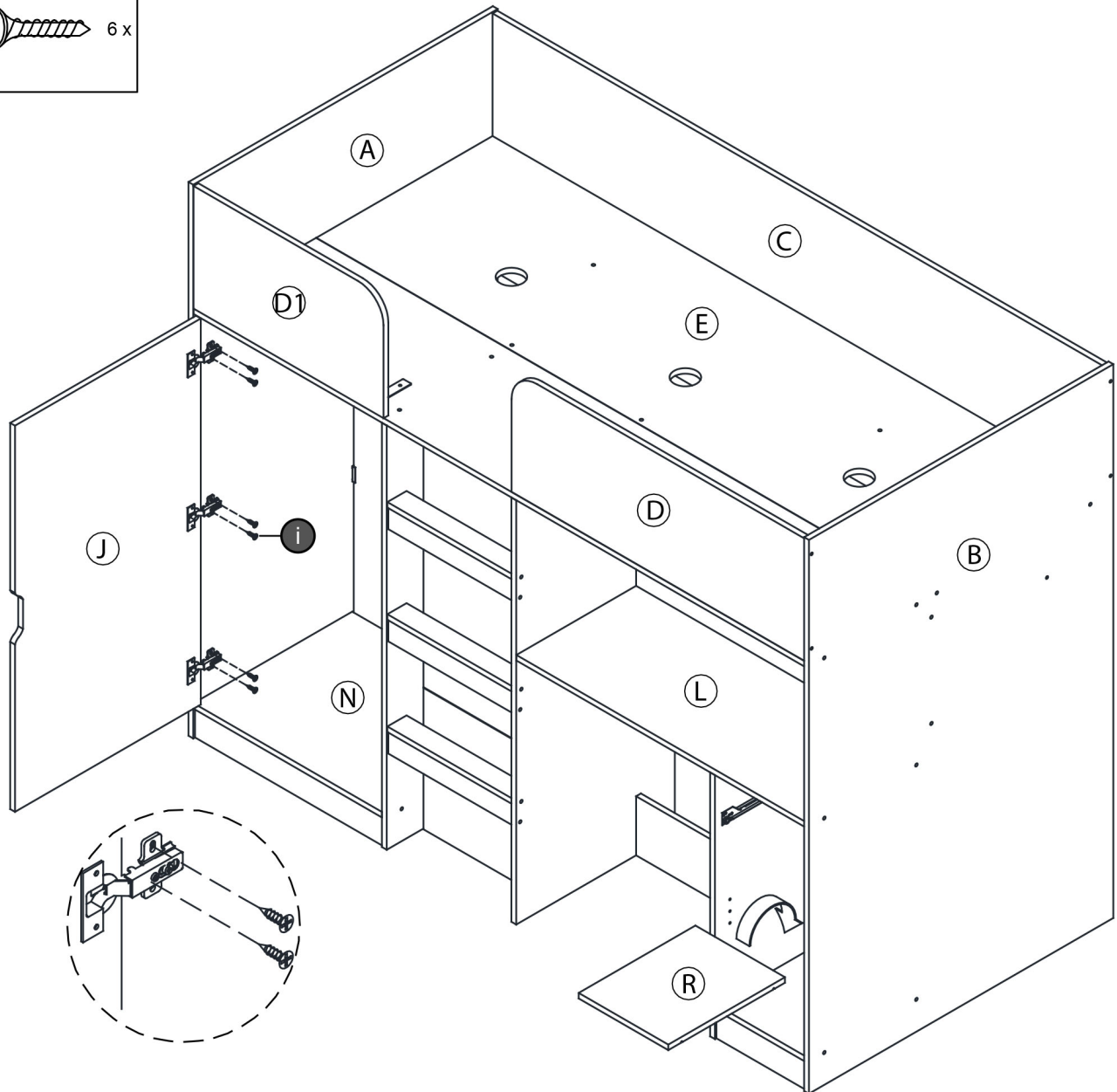
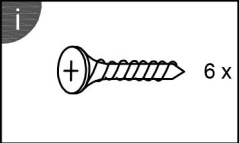


Parts Required	Qty
Panel (D)	1
Panel (D1)	1

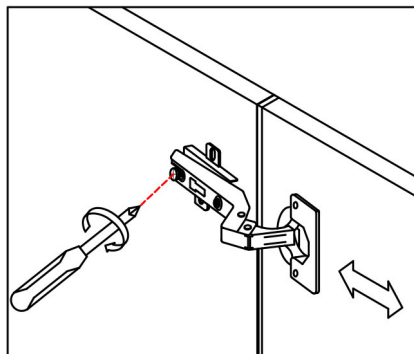
STEP 24



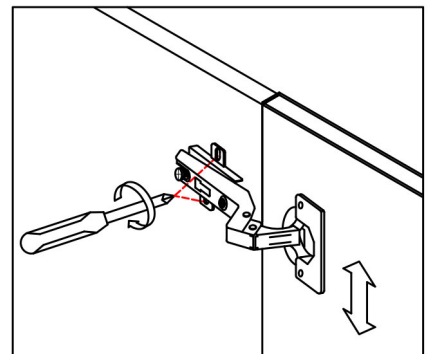
STEP 25



A. Lateral adjustment



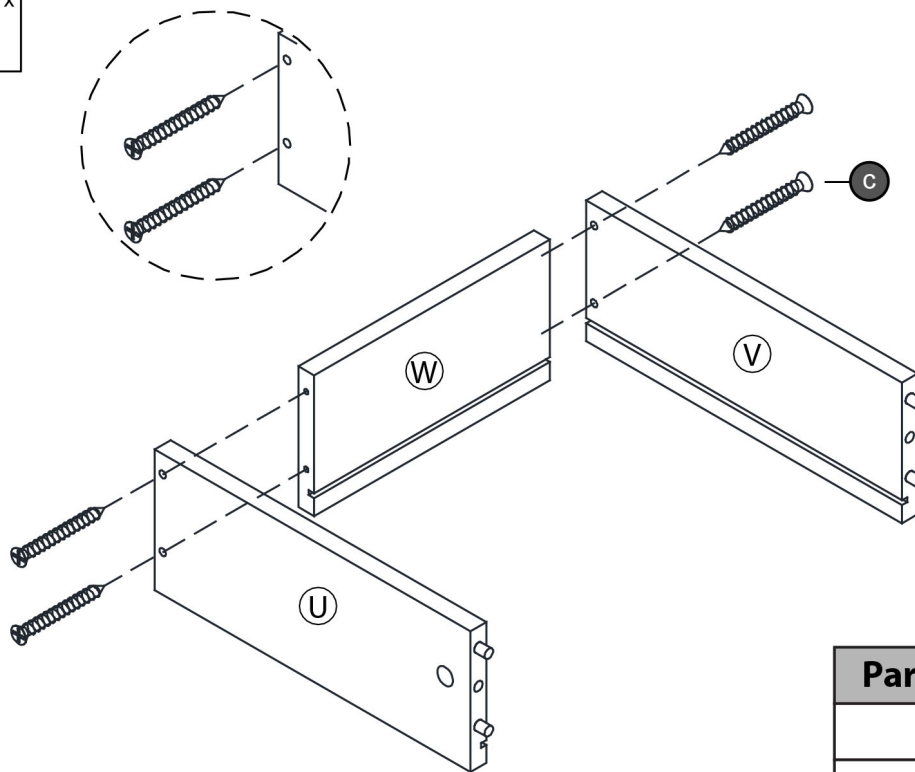
B. Front-to-Back adjustment



C. Vertical Adjustment

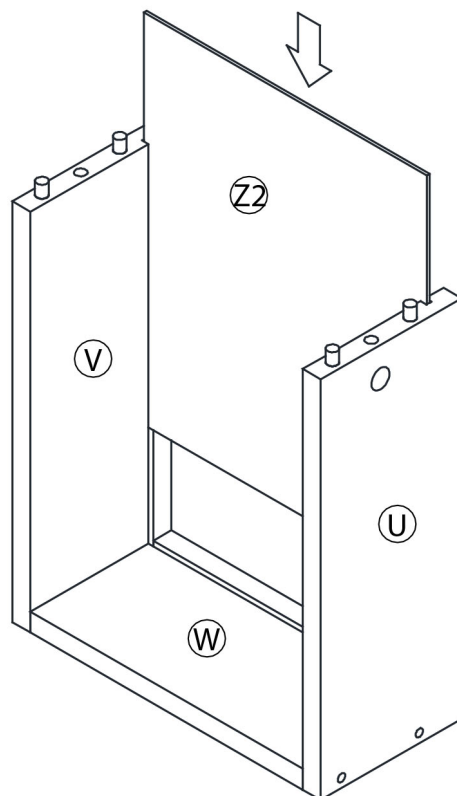
Parts Required	Qty
Panel (J)	1
Panel (R)	1

STEP 26



Parts Required	Qty
Panel (U)	1
Panel (V)	1
Panel (W)	1

STEP 27

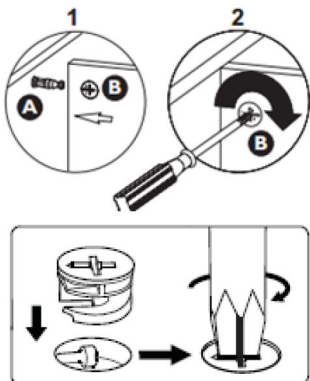
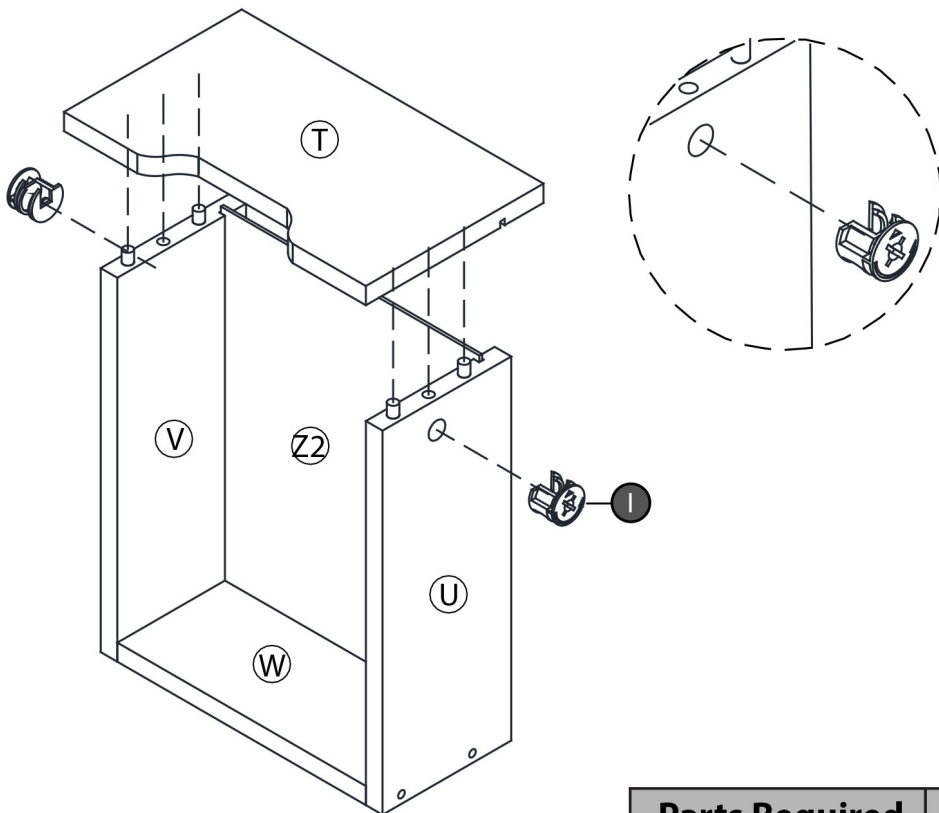


Parts Required	Qty
Panel (Z2)	1

STEP 28

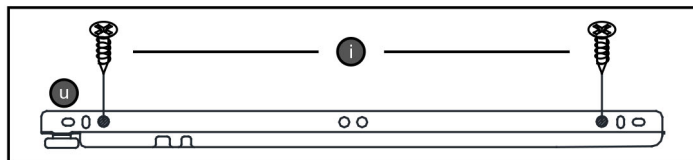
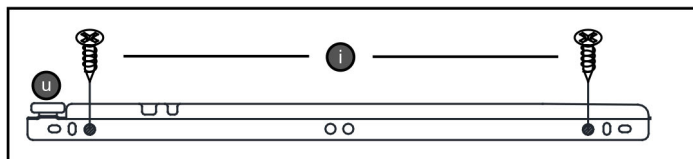
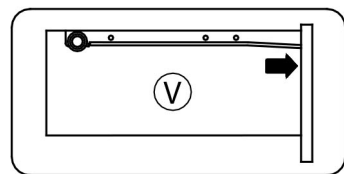
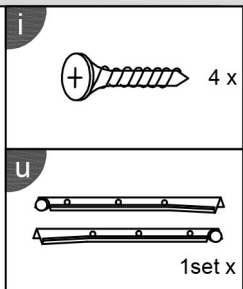
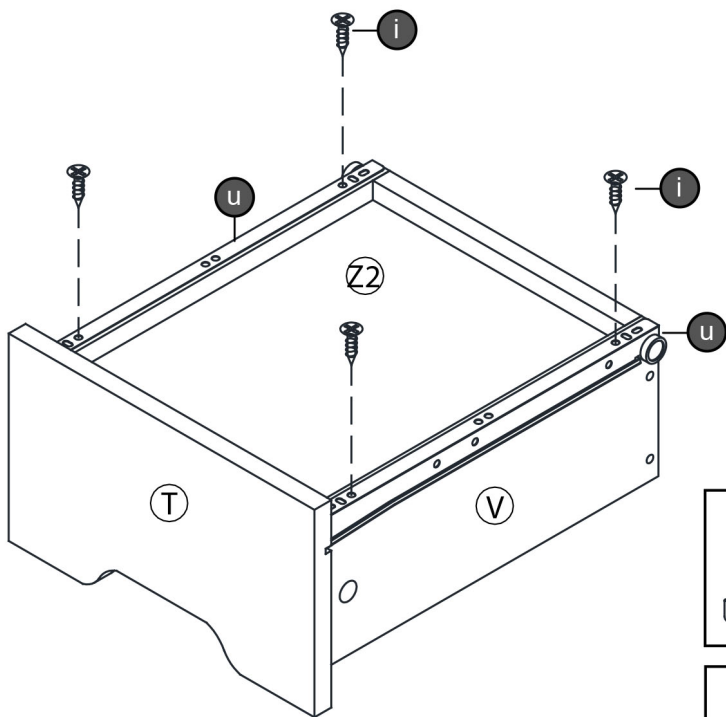


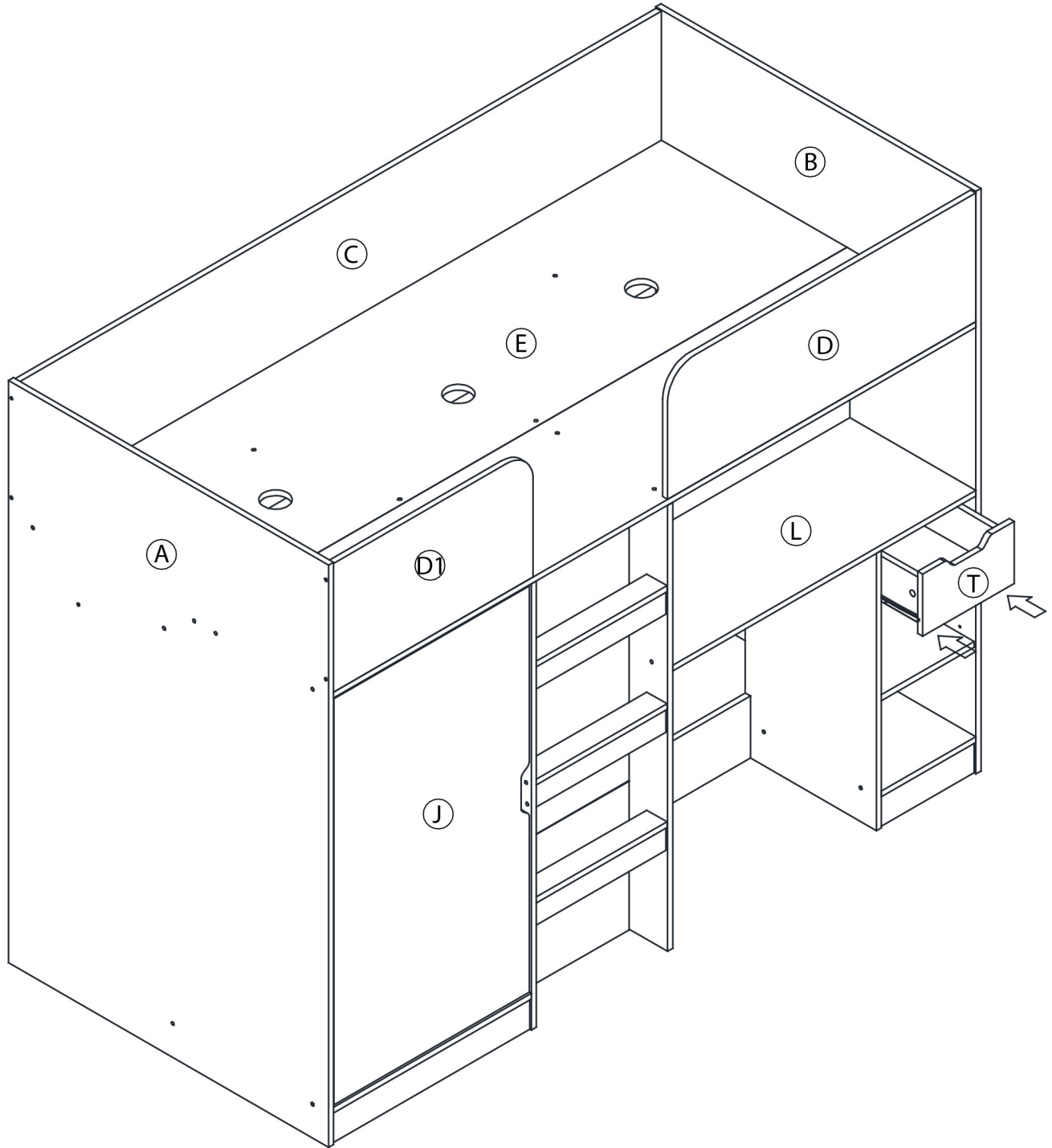
2 x



Parts Required	Qty
Panel (T)	1

STEP 29



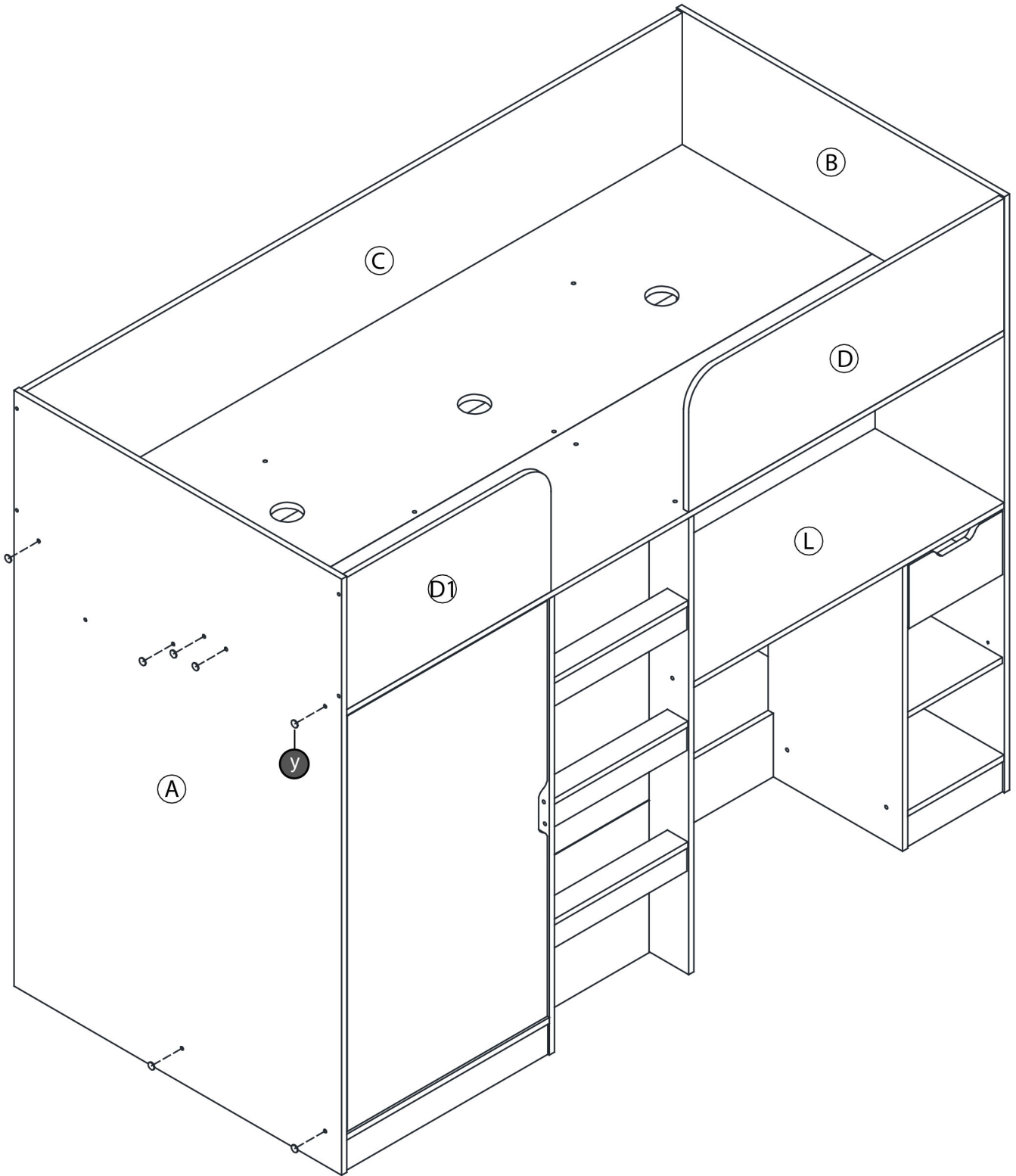


STEP 31

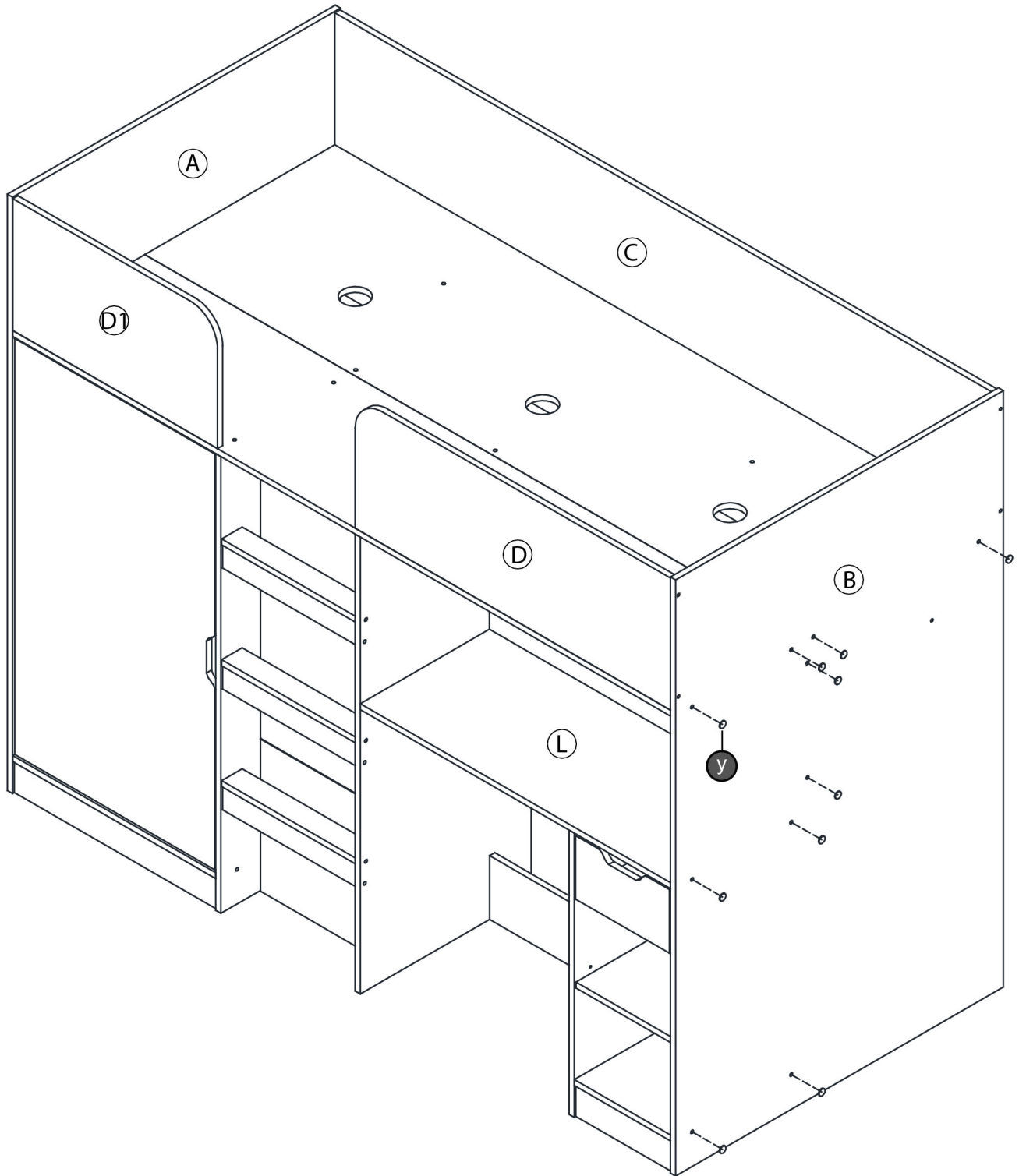
y



7 x



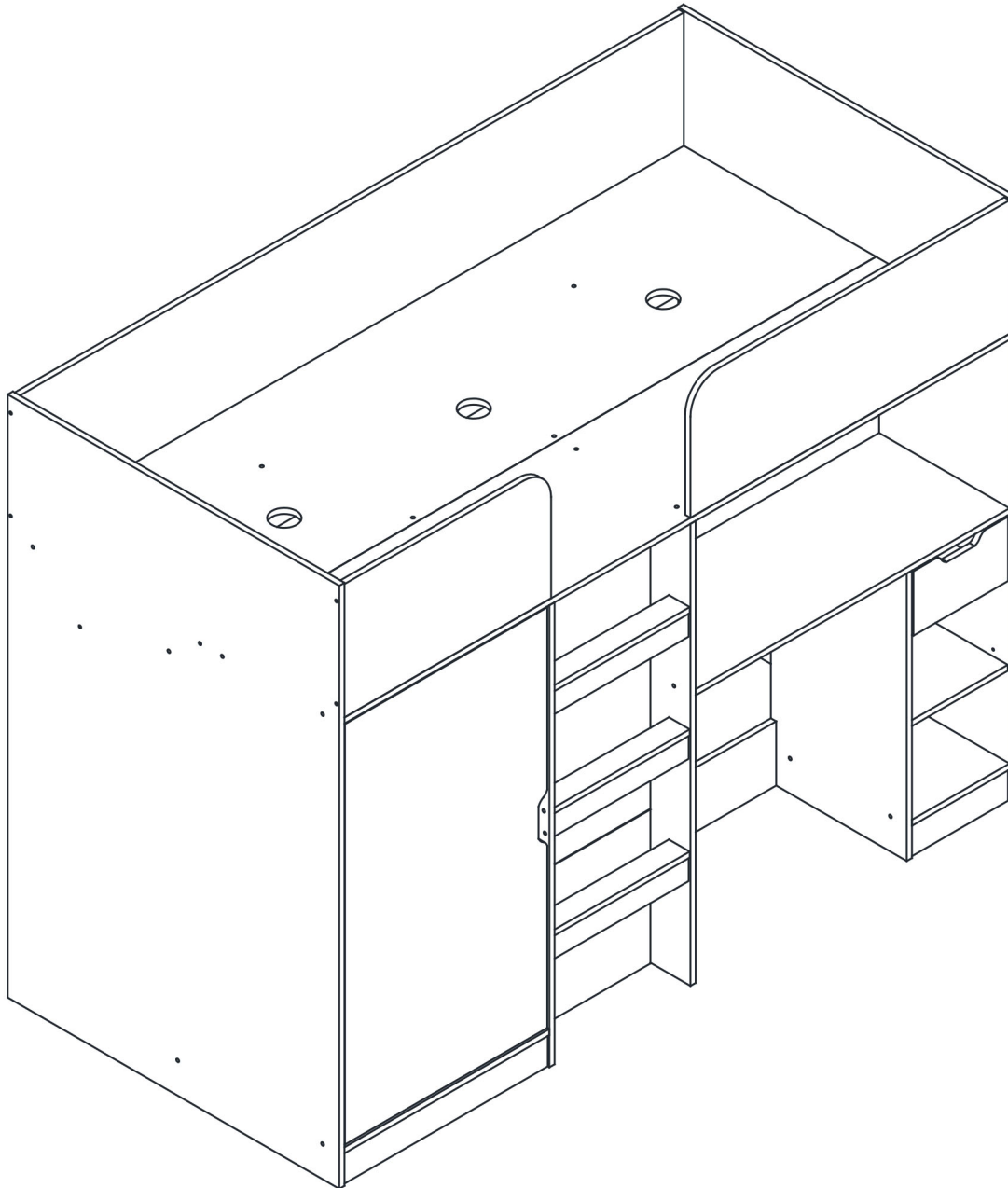
STEP 32



Complete Assembly

Your **PADDINGTON HIGH SLEEPER** is now completely assembled

Periodically check to ensure that the components are in their proper position, free from damage. Also, make sure the connectors are tight and secure.



Keep instructions for future reference

