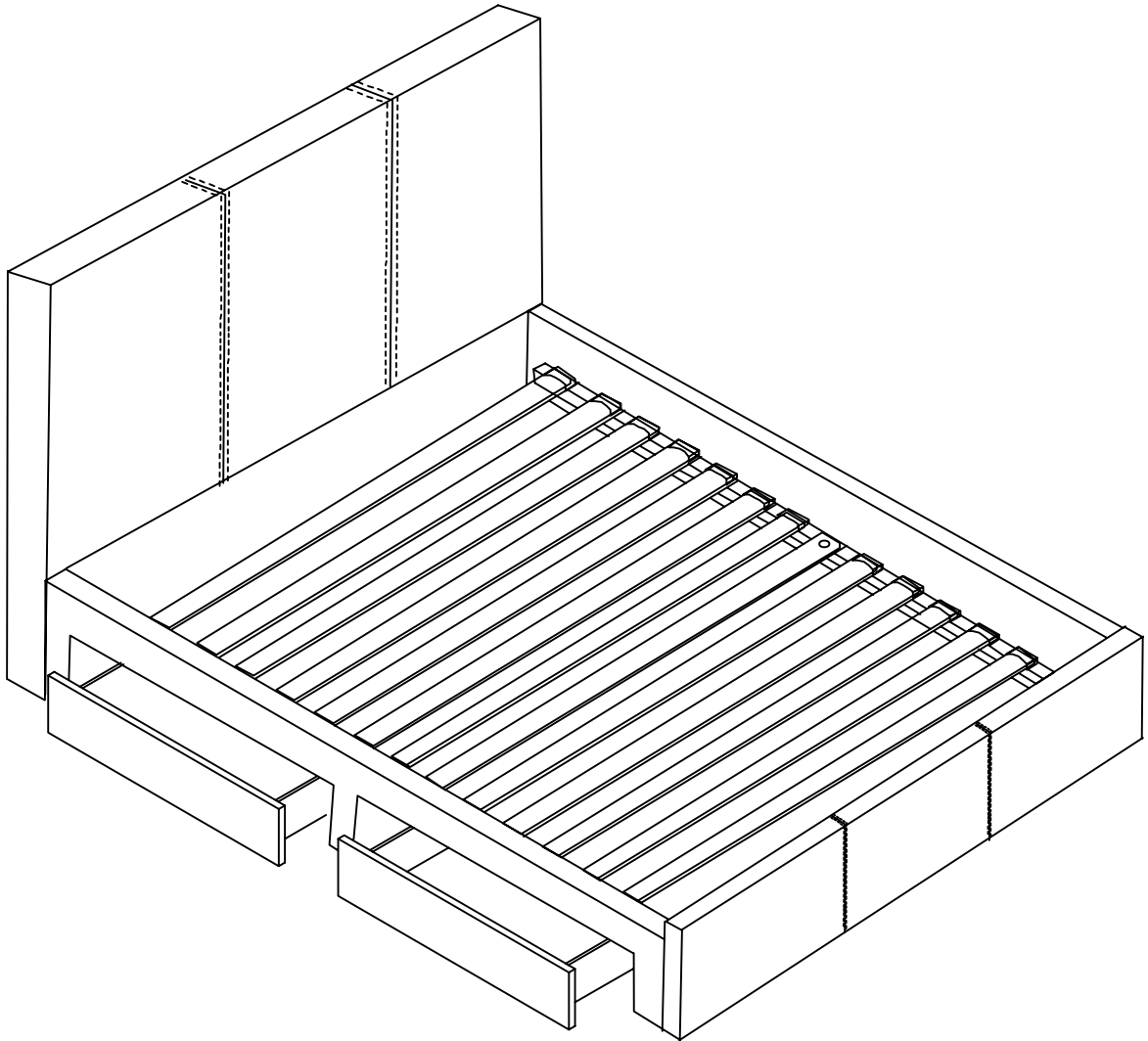


# ASSEMBLY INSTRUCTION

**IMPORTANT NOTE: \*PLACE ALL PARTS ON A CLEAN AND SMOOTH SURFACE SUCH AS A RUG OR CARPET TO AVOID THE PARTS FROM BEING SCRATCHED.**

**\*KINDLY FOLLOW THE ASSEMBLY INSTRUCTIONS STEP BY STEP**

**\*DO NOT TIGHTEN ALL SCREWS UNTIL THE BED IS FULLY SET-UP.**



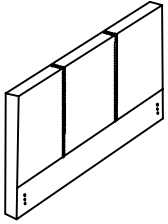
## 3FT LATINA TWO DRAWERS SINGLE BED

### CARE INSTRUCTIONS

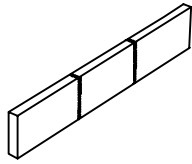
- \* Wipe clean using a soft damp cloth followed by a dry cloth.
- \* Do not use abrasives or cleaning products which may contain ammonia or solvents.
- \* Take care when handling or moving the furniture. Careless handling can damage wooden furniture, try to lift rather than drag.

## Part list

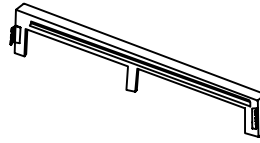
⑦ Headboard 1pc



⑧ Footboard 1pc



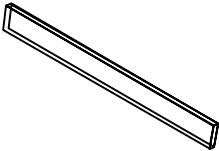
⑨A Side Rail 1pc



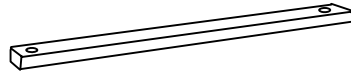
⑨B Side Rail 1pc



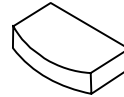
⑩ Slat 12 pcs



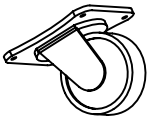
⑪ Cross Bar 1 pc



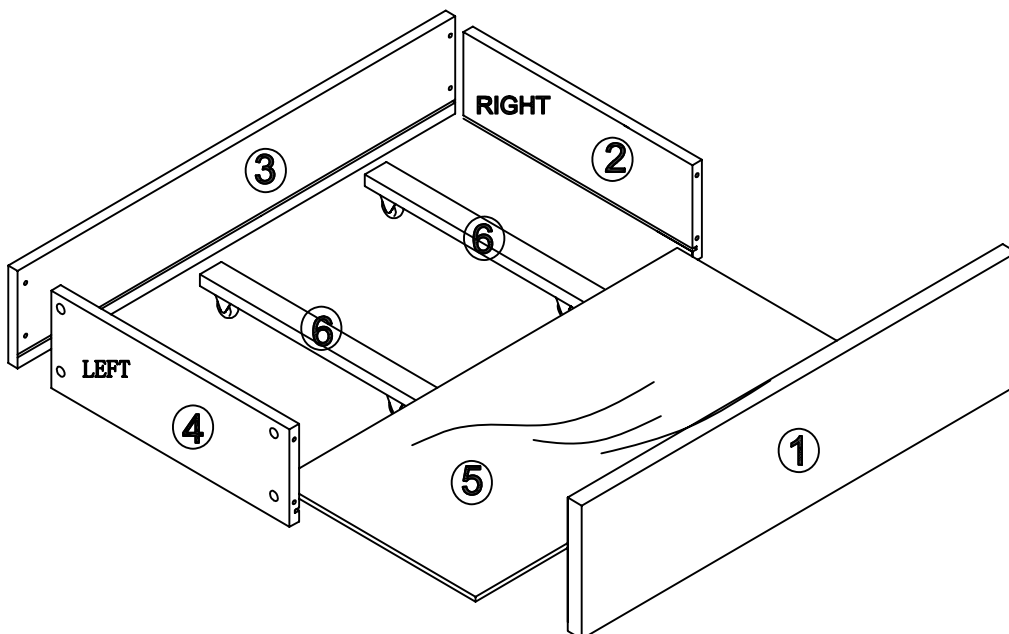
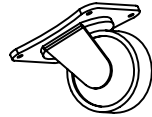
⑫ Single Plastic Cap 26pcs



⑬ Pivot Wheels 4pcs



⑭ Non-Pivot Wheels 4pcs

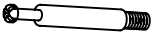



- 1 Front Panel \*2pcs
- 2 Side Panel (Right) \* 2pcs
- 3 Back Panel \*2pcs
- 4 Side Panel (Left) \*2pcs
- 5 Bottom Plateboard \*2pcs
- 6 Lathing \*4pcs

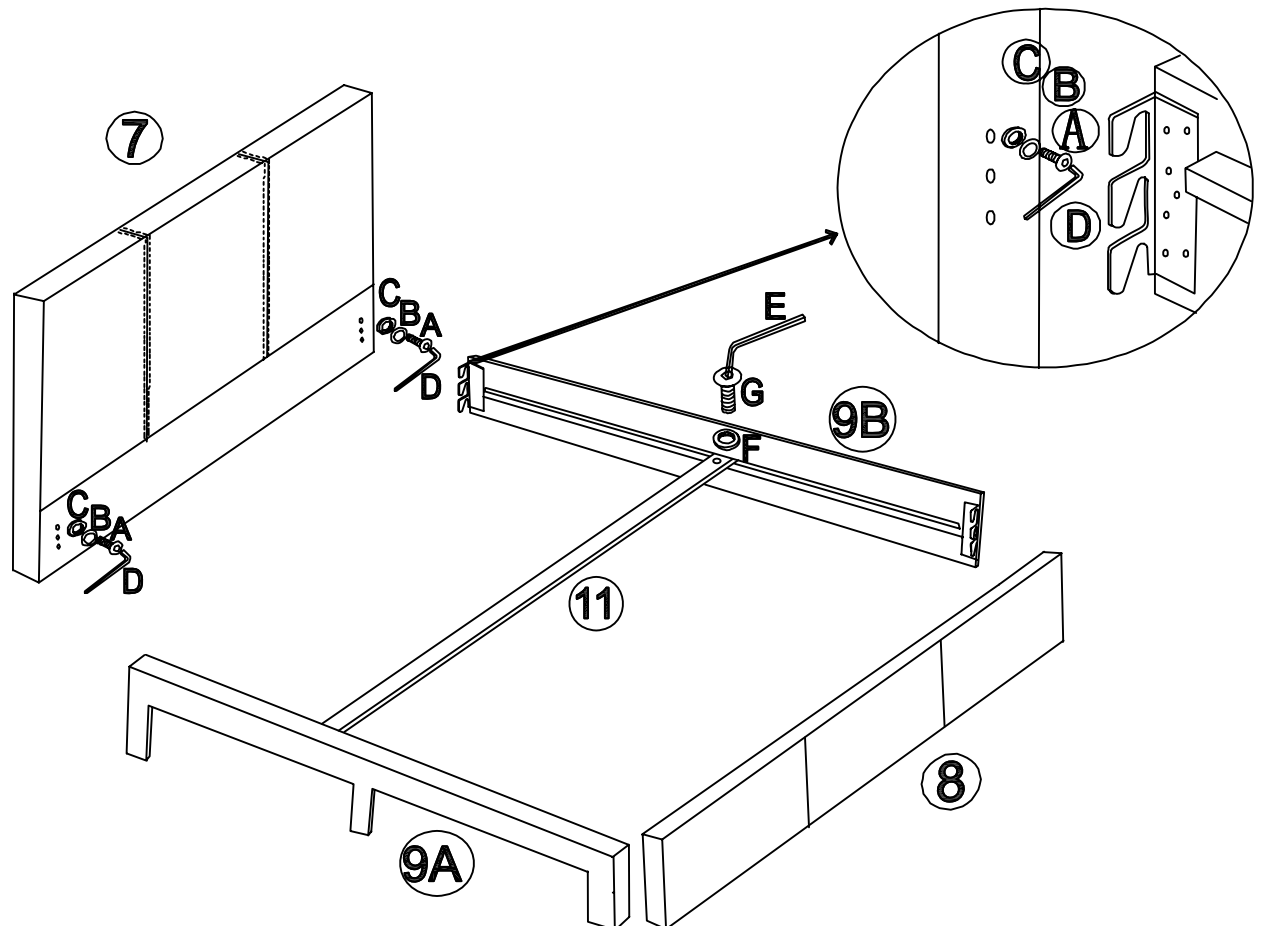
## BED FITTINGS

Label	Picture	Description	Qty	Label	Picture	Description	Qty
A		Bolt M8x30mm	12	F		M6 Flat Washer	2
B		M8 Spring Washer	12	G		Bolt M6x20mm	2
C		M8 Flat Washer	12	H		Screw driver	1
D		M8 Allen key	1				
E		M6 Allen Key	1				

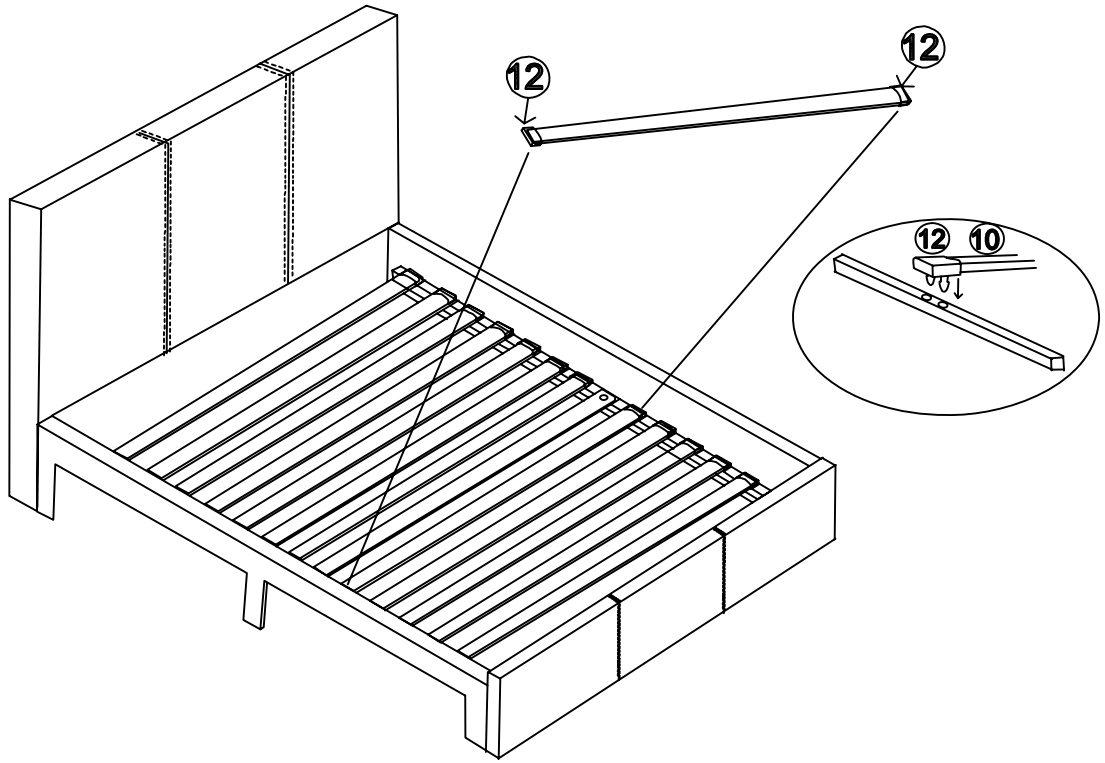
## DRAWER FITTINGS

Label	Picture	Description	Qty	Label	Picture	Description	Qty
I		Rafix Cam Bolt	28	J		Cam	28

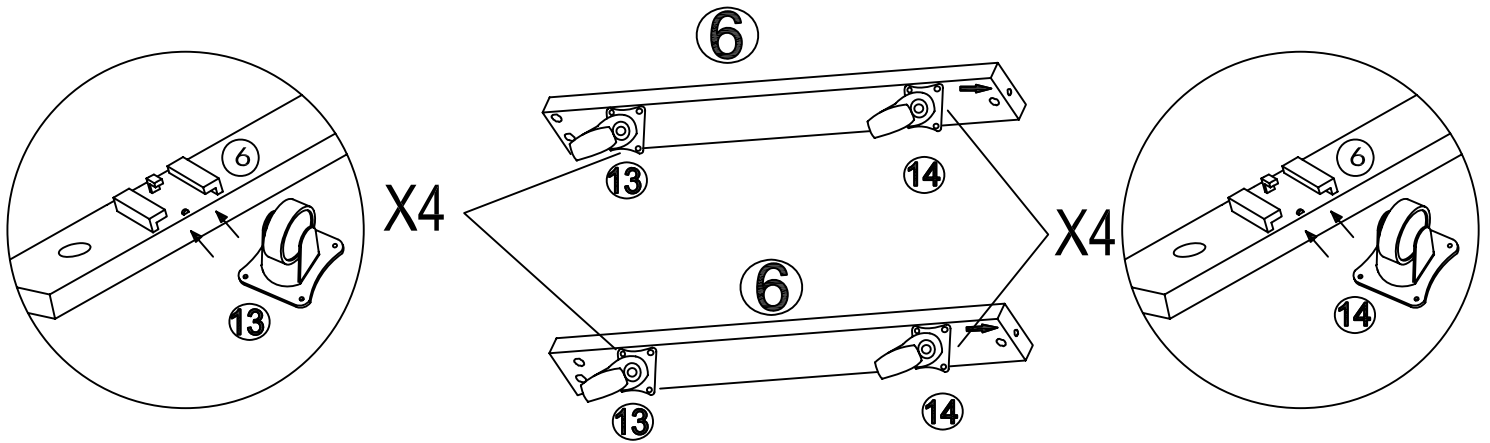
STEP 1 FIXING SUPPORT LEGS TO CENTRE SUPPORT BAR TO HEADBOARD AND THEN FOOTBOARD



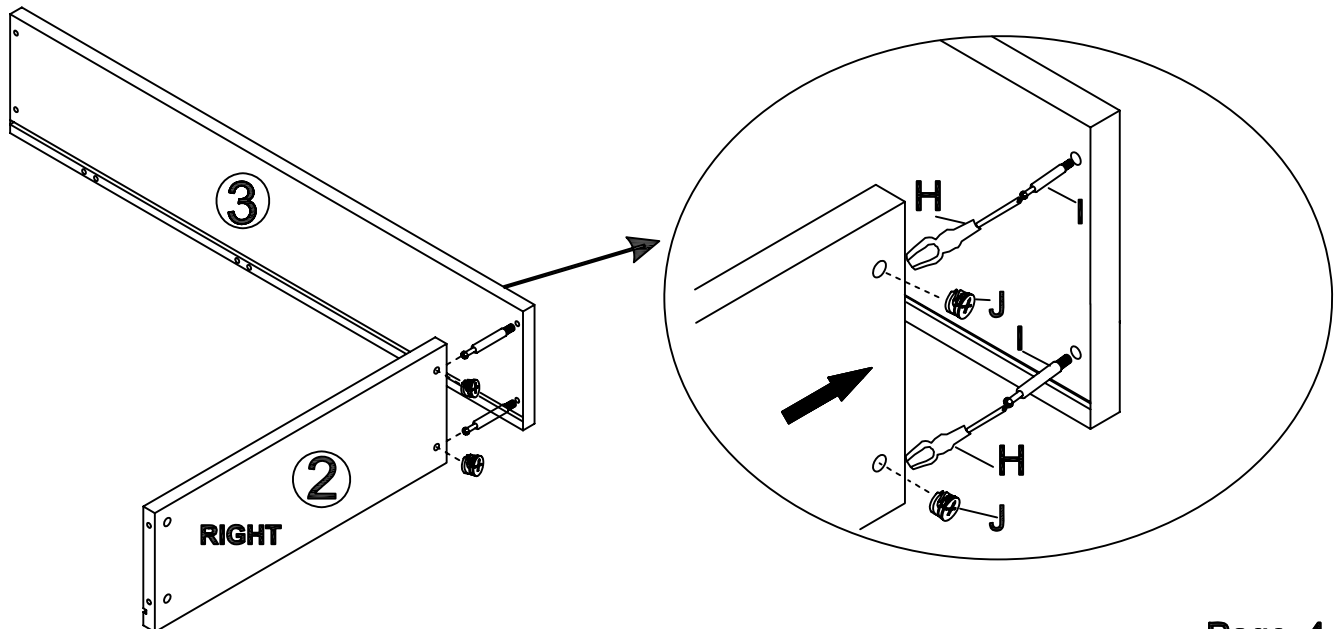
## STEP 2 FIXING PLASTIC CAPS AND SLATS



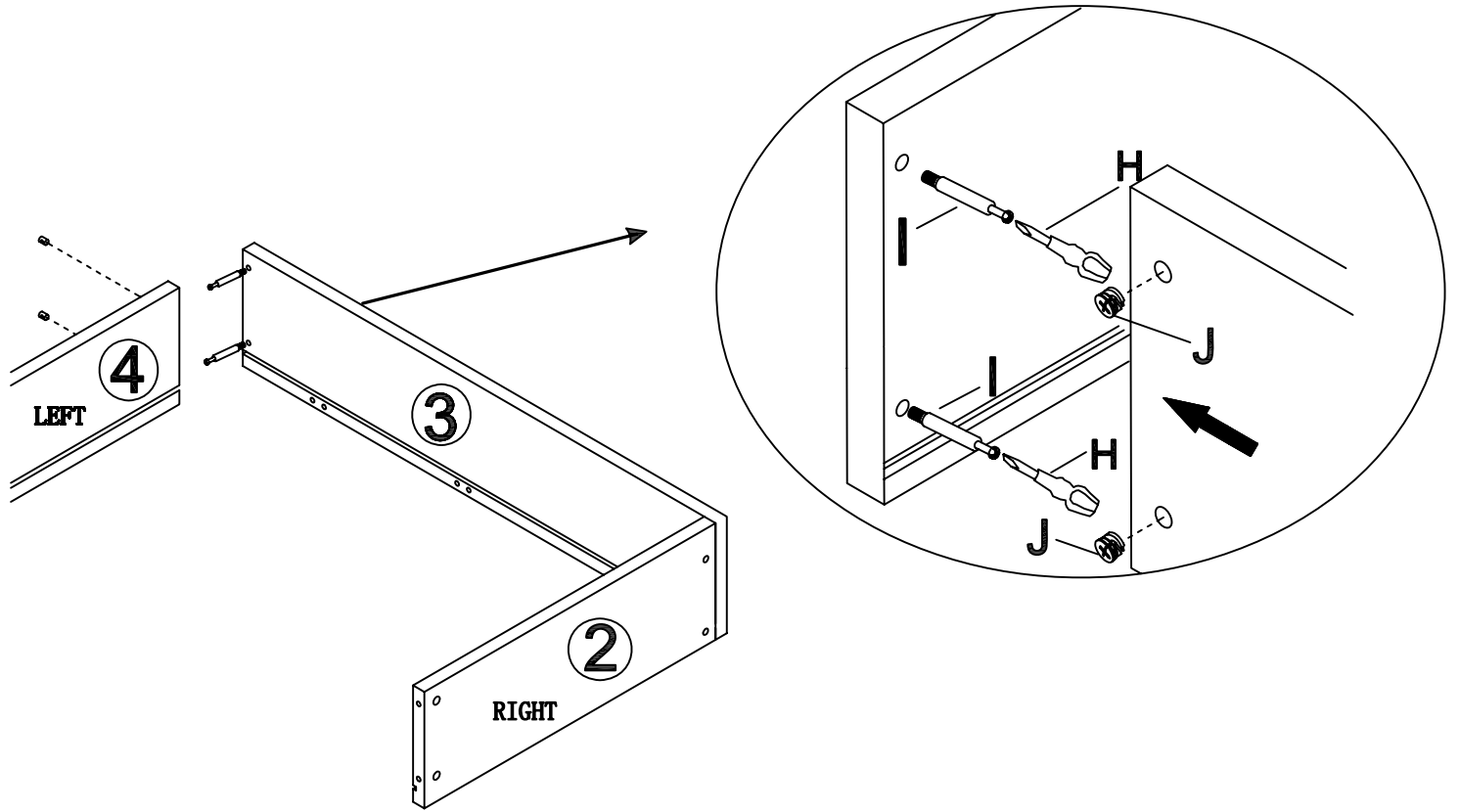
## STEP 3



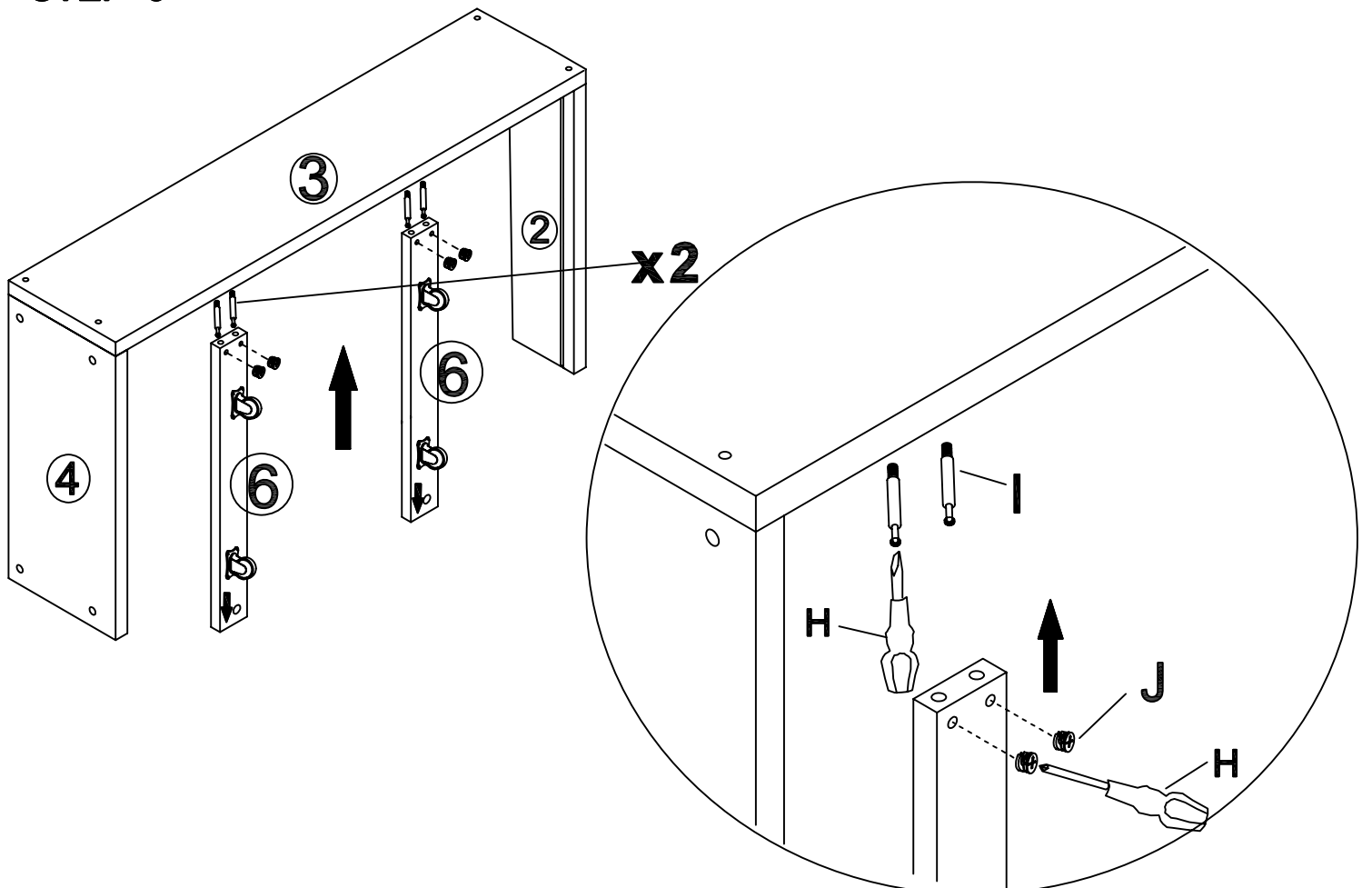
## STEP 4



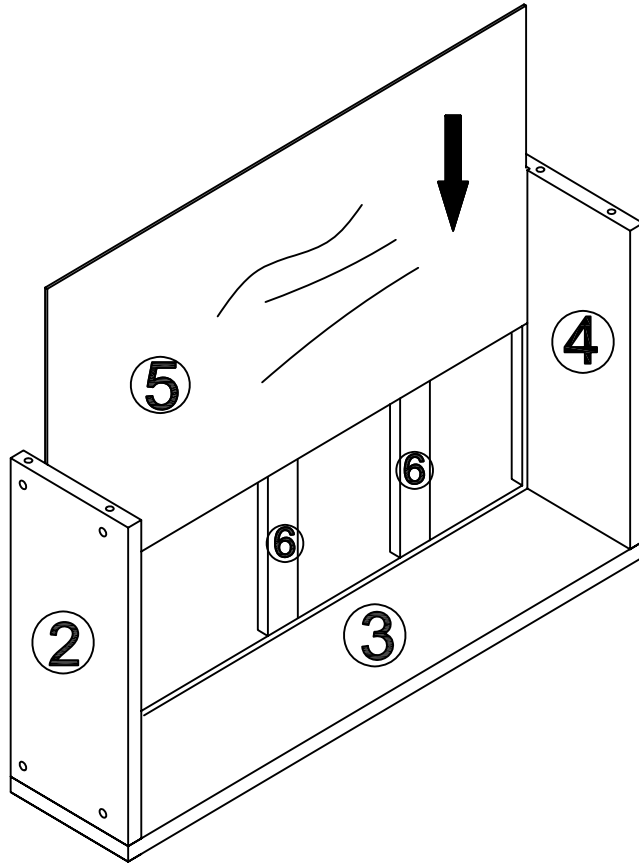
# STEP 5



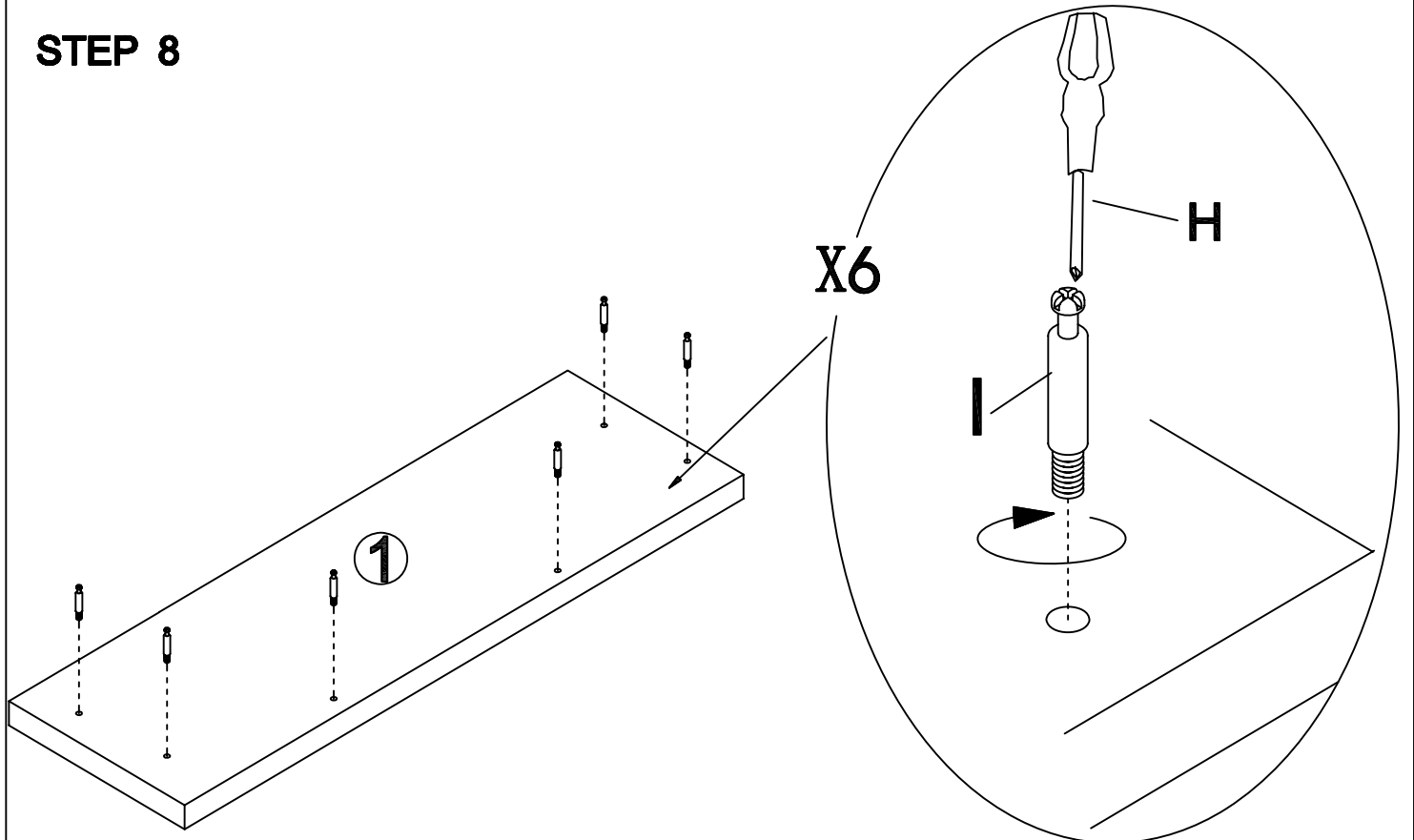
# STEP 6



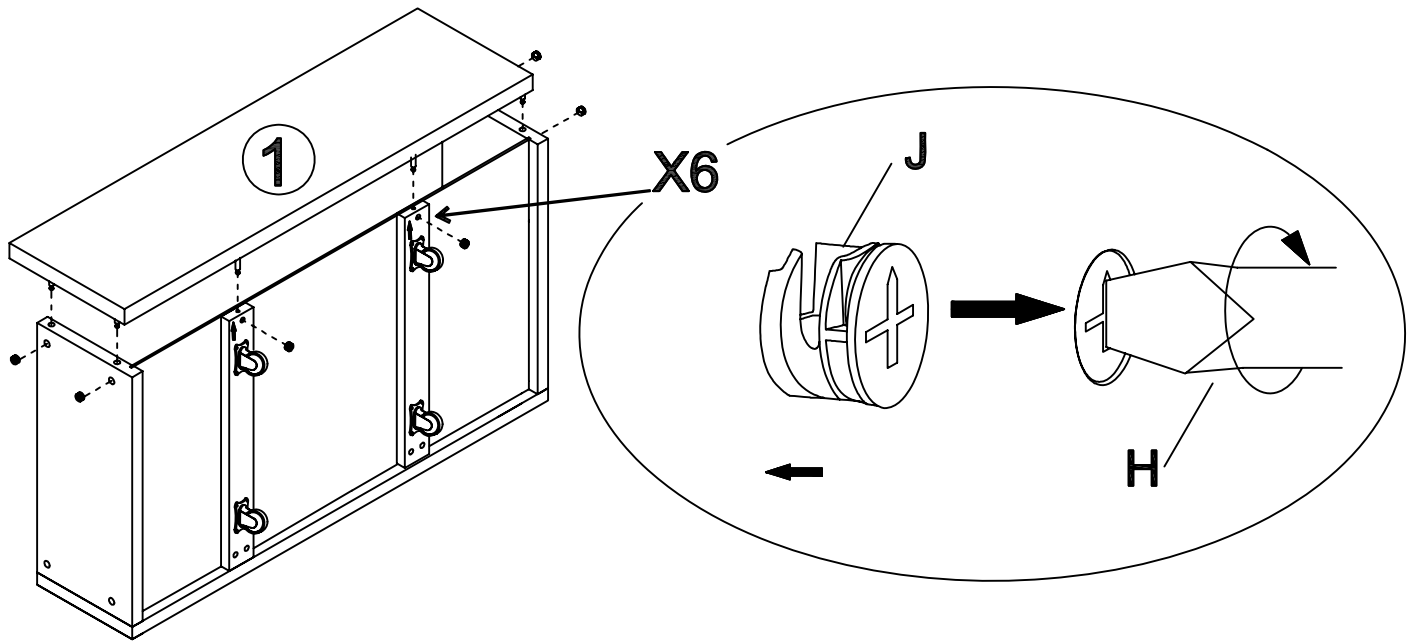
# STEP 7



# STEP 8



# STEP 9



# STEP 10

