



# Birlea

Suppliers of inspiration

Vendor: S000013



## ASSEMBLY INSTRUCTIONS WOODBURY 6' BED

**IMPORTANT : READ THESE INSTRUCTIONS CAREFULLY BEFORE ASSEMBLING OR USING YOUR WOODBURY 6' BED FRAME**

PLEASE KEEP THESE INSTRUCTIONS FOR FUTURE REFERENCE.

### **HEALTH & SAFETY:**

DO NOT jump on this bed frame.

DO NOT use this bed frame if any parts are missing, damaged or worn.

DO NOT use this bed frame unless all fixings are secured.

Please keep small parts out of reach of children.

Always use on a level, even surface.

**WARNING :** If this bed is placed on a non- carpeted floor you must place some protection under all legs to stop the bed frame from moving. if this is not adhered to there is no guarantee if the bed frame collapses.

### **CARE & MAINTENANCE:**

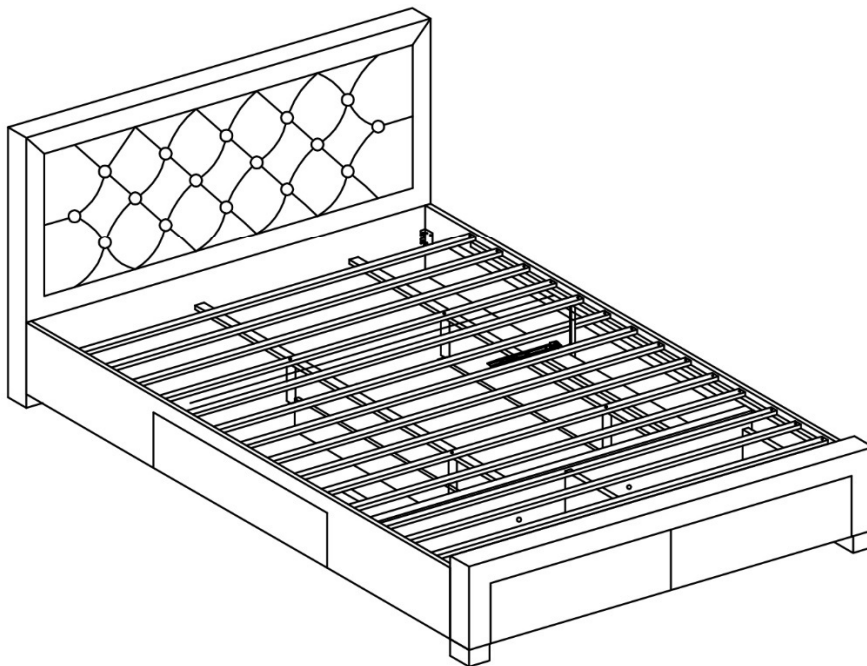
Assembly in the room use.

Periodically check all screw & fixings to ensure they are secure.

DO NOT push the bed frame as this will damage the legs.

Always lift the bed with two people to reposition.

Keep any sharp objects away from the frame.



# Birlea

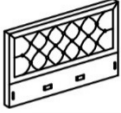

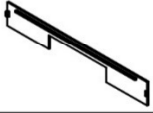

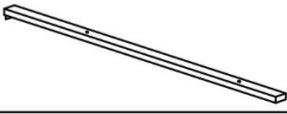
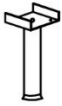






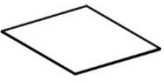
Suppliers of inspiration

[www.birlea.com](http://www.birlea.com)

Page 1 of 11



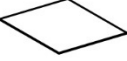

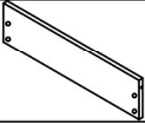

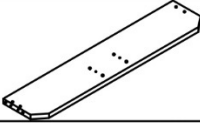
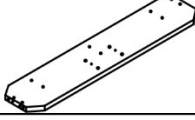







## Parts List

Parts	Description	Box	Qty
1	Headend 	1	1
2	Footend 	2	1
3	Side Rail 	3	2
4	Slat 	6	1
5	Centre Rail 	3	2
6	Support Leg 	4	4
7	Drawer Runner Pack 1 	4	8
8	Drawer Runner Pack 2 	4	8
9	Big Drawer Front 	3	2
10	Small Drawer Front 	2	2
11	Big Drawer Back 	4	2
12	Small Drawer Back 	4	2
13	Big Drawer Base 	4	2







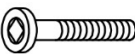
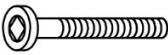
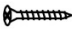
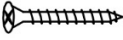

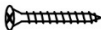





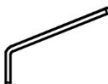

## Parts List

Parts	Description	Box	Qty
14	Small Drawer Base 	4	2
15	Small Drawer Side 	4	4
16	Big Drawer Side 	4	4
17	Drawer Support 	4	8
18	Drawer Frame 	5	1
19	Drawer Frame 	5	1
20	Drawer Center Frame 	5	2
21	Drawer Frame Support 	5	2
22	Drawer Frame Divider 1 	5	1
23	Drawer Frame Divider 2 	5	1
24	Drawer Center Divider 	5	1
25	Drawer Frame Support 	5	1
26	Drawer Frame Support 	5	1





### Hardware List ( Found in box 4)

Parts	Description	Box	Qty
A	Plastic Dowel ( 8 x 25 ) 	4	31
B	M6 x 40 mm JCBC W 	4	17
C	M6 x 40 mm JCBC 	4	10
D	M6 x 60 mm JCBC 	4	4
E	M3.5 x 16 mm CSK 	4	48
F	M4 x 32 mm CSK 	4	18
G	M4 x 50 mm CSK 	4	32
H	M4 x 25 mm CSK 	4	2
I	Mini Fix Bolt 	4	10
J	Mini fix Housing 	4	10
K	Mini Fix Cap 	4	10
L	Power Nail 6/8 	4	52
M	White Nail 	4	16
N	Allen Key 65 mm 	4	1
O	M6 Flat Washer 	4	2

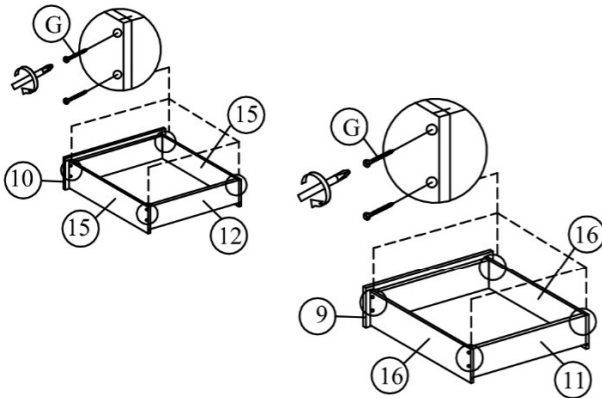
\*You will need a small mallet and screwdriver (not provided)



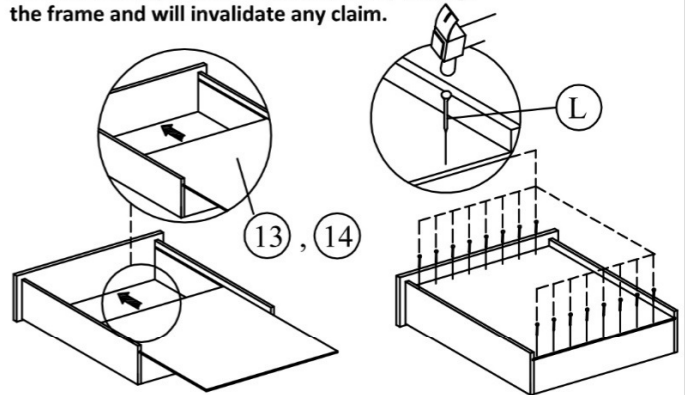


Step 1 : Join together the drawer front (9 & 10), drawer back (11 & 12) and drawer side (15 & 16) using hardware part G and screwdriver ( not provided). Repeat for the remaining drawer.

**DO NOT use any power tools as this may damage the frame and will invalidate any claim.**

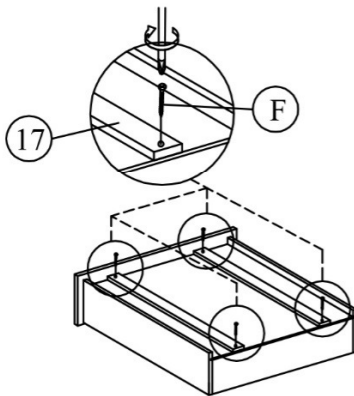


Step 2 : Slide the drawer base (13 & 14 ) into position on all four drawer . Secure with hardware part L and small mallet ( not provided). **DO NOT use any power tools as this may damage the frame and will invalidate any claim.**



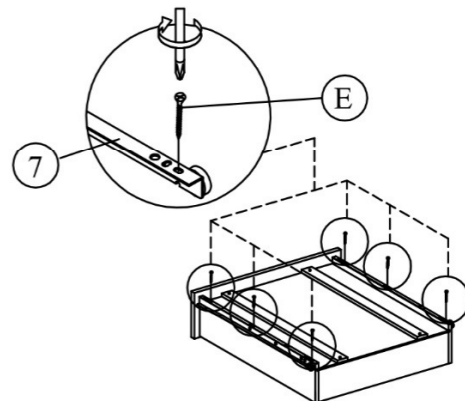
Step 3 : Secure the drawer support (17) using hardware part F and screwdriver( not provided).

**DO NOT use any power tools as this may damage the frame and will invalidate any claim.**



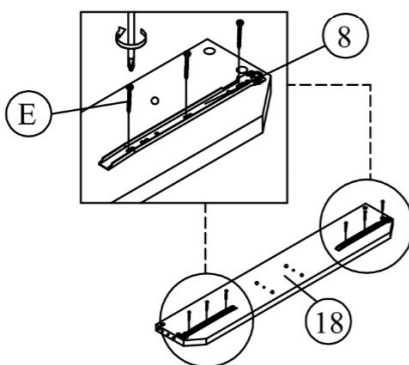
Step 4 : Attach the drawer runner from pack 1 (7) using hardware part E and screwdriver( not provided).

**DO NOT use any power tools as this may damage the frame and will invalidate any claim.**



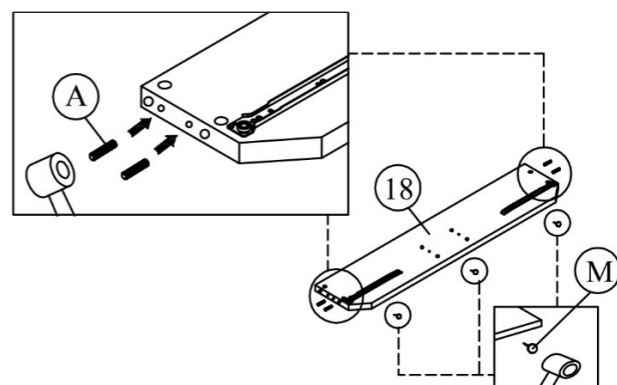
Step 5 : Attach the drawer runner from pack 2 (8) to the drawer frame (18) using hardware part E and screwdriver( not provided).

**DO NOT use any power tools as this may damage the frame and will invalidate any claim.**



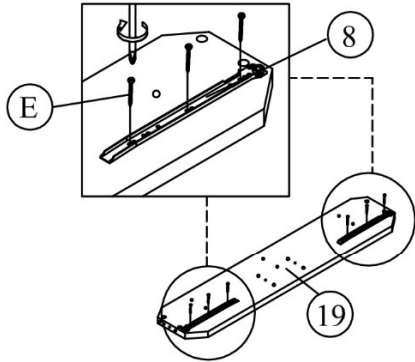
Step 6 : Insert hardware parts A and M to the drawer frame (18) using a small mallet ( not provided).

**DO NOT use any power tools as this may damage the frame and will invalidate any claim.**

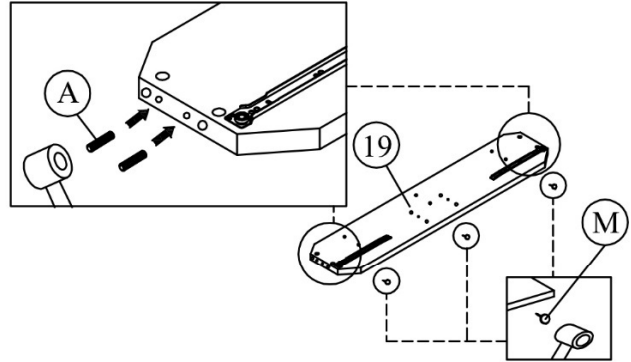




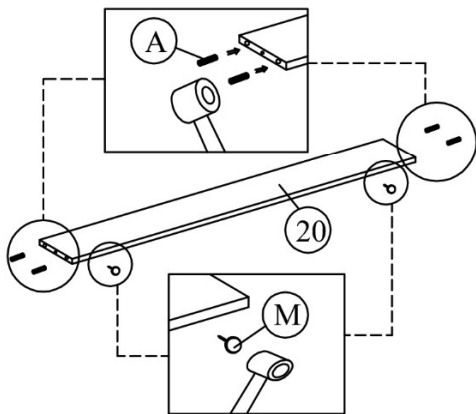
Step 7 : Attach the drawer runner from pack 2 (8) to the drawer frame (19) using hardware part E and screwdriver( not provided).  
**DO NOT use any power tools as this may damage the frame and will invalidate any claim.**



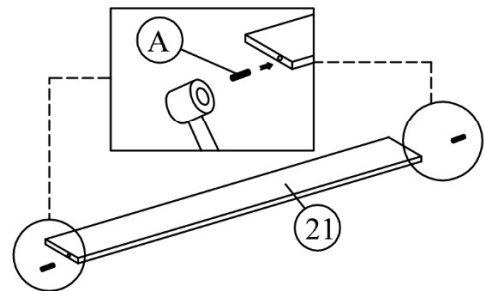
Step 8 : Insert hardware parts A and M to the drawer frame (19) using a small mallet ( not provided).  
**DO NOT use any power tools as this may damage the frame and will invalidate any claim.**



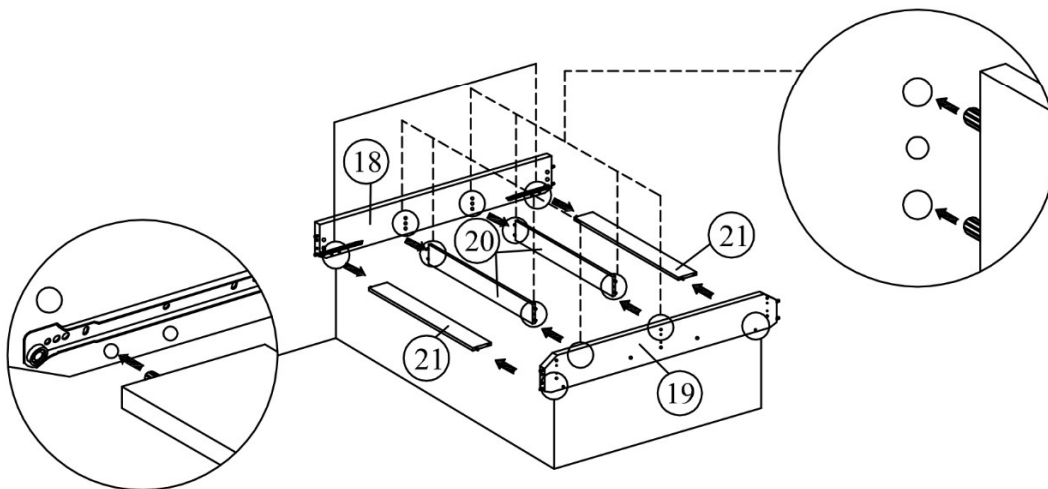
Step 9 : Insert hardware parts A and M to the drawer center frame (20) using a small mallet ( not provided).  
**DO NOT use any power tools as this may damage the frame and will invalidate any claim.**



Step 10 : Insert hardware parts A to the drawer frame support (21) using a small mallet ( not provided).  
**DO NOT use any power tools as this may damage the frame and will invalidate any claim.**



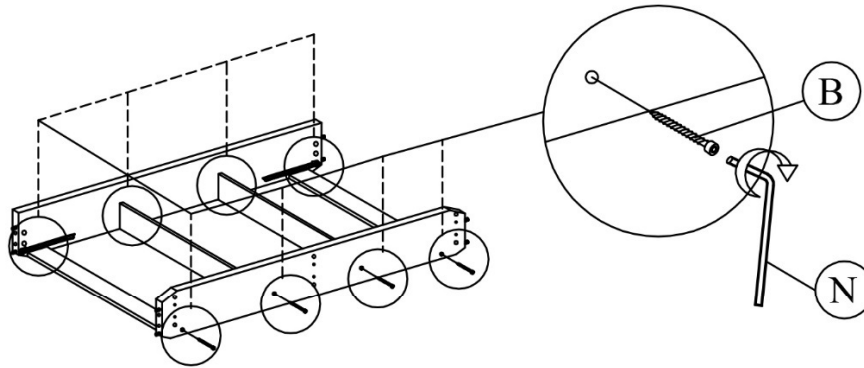
Step 11 : Join together the drawer frame (18 & 19), drawer center frame (20) and drawer frame support (21).  
**DO NOT use any power tools as this may damage the frame and will invalidate any claim.**





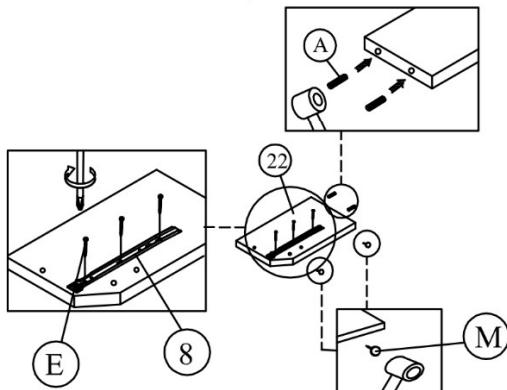
Step 12 : Secure the frame using hardware parts B and N .

**DO NOT use any power tools as this may damage the frame and will invalidate any claim.**



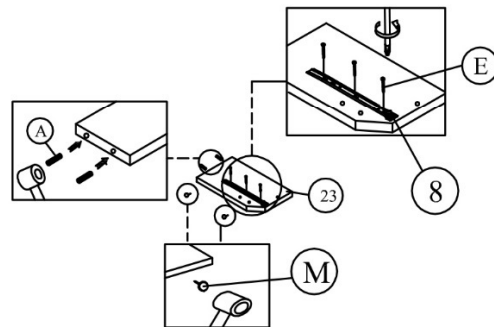
Step 13 :Attach the drawer runner from pack 2 (8) to the drawer frame divider 1 (22) using hardware part E and screwdriver(not provided).Insert hardware parts A and M to the drawer frame divider 1 (22) using a small mallet ( not provided).

**DO NOT use any power tools as this may damage the frame and will invalidate any claim.**



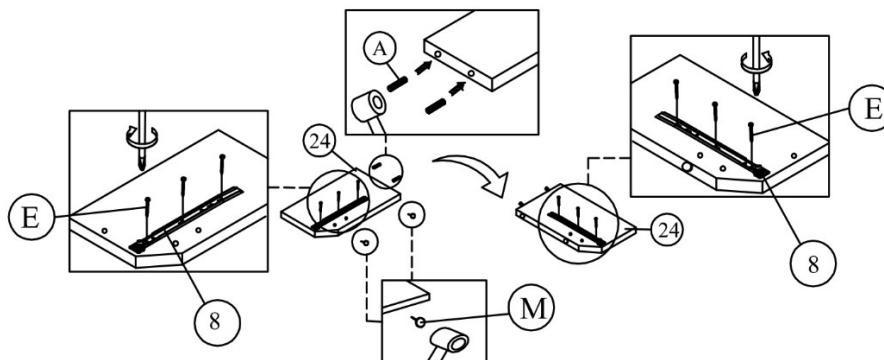
Step 14 :Attach the drawer runner from pack 2 (8) to the drawer frame divider 2 (23) using hardware part E and screwdriver(not provided).Insert hardware parts A and M to the drawer frame divider 2 (23) using a small mallet ( not provided).

**DO NOT use any power tools as this may damage the frame and will invalidate any claim.**



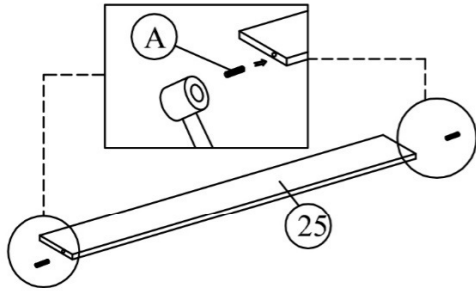
Step 15 :Attach the drawer runner from pack 2 (8) to the drawer center divider (24) using hardware part E and screwdriver(not provided).Insert hardware parts A and M to the drawer center divider (24) using a small mallet ( not provided). the flip drawer runner from pack 2 (8) to the other side and repeat the same step.

**DO NOT use any power tools as this may damage the frame and will invalidate any claim.**

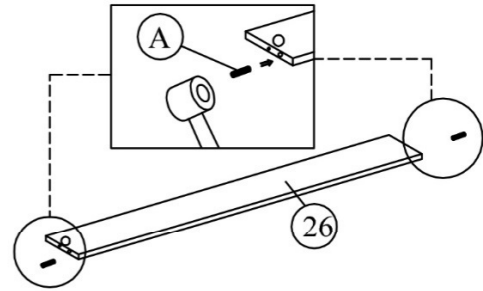




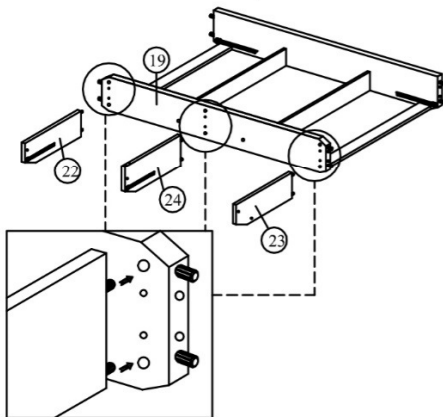
Step 16 : Insert hardware parts A to the drawer frame support (25) using a small mallet ( not provided).  
**DO NOT use any power tools as this may damage the frame and will invalidate any claim.**



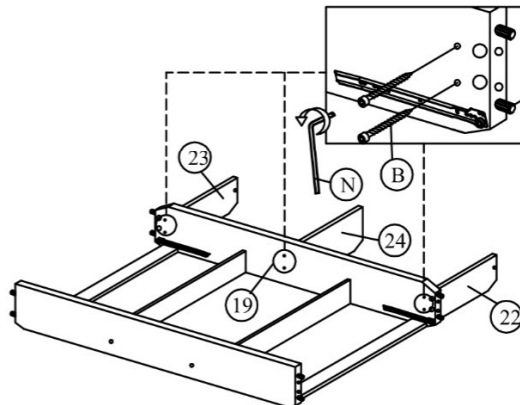
Step 17 : Insert hardware parts A to the drawer frame support (26) using a small mallet ( not provided).  
**DO NOT use any power tools as this may damage the frame and will invalidate any claim.**



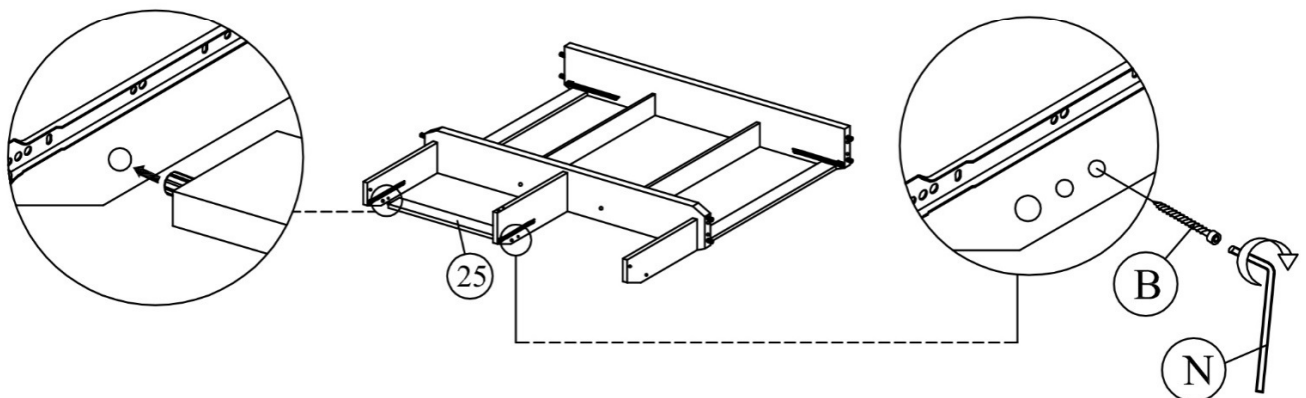
Step 18 : Join together the drawer frame divider (22 & 23) and drawer center divider (24) to the drawer frame (19) .  
**DO NOT use any power tools as this may damage the frame and will invalidate any claim.**



Step 19 : Secure the frame using hardware parts B and N .  
**DO NOT use any power tools as this may damage the frame and will invalidate any claim.**



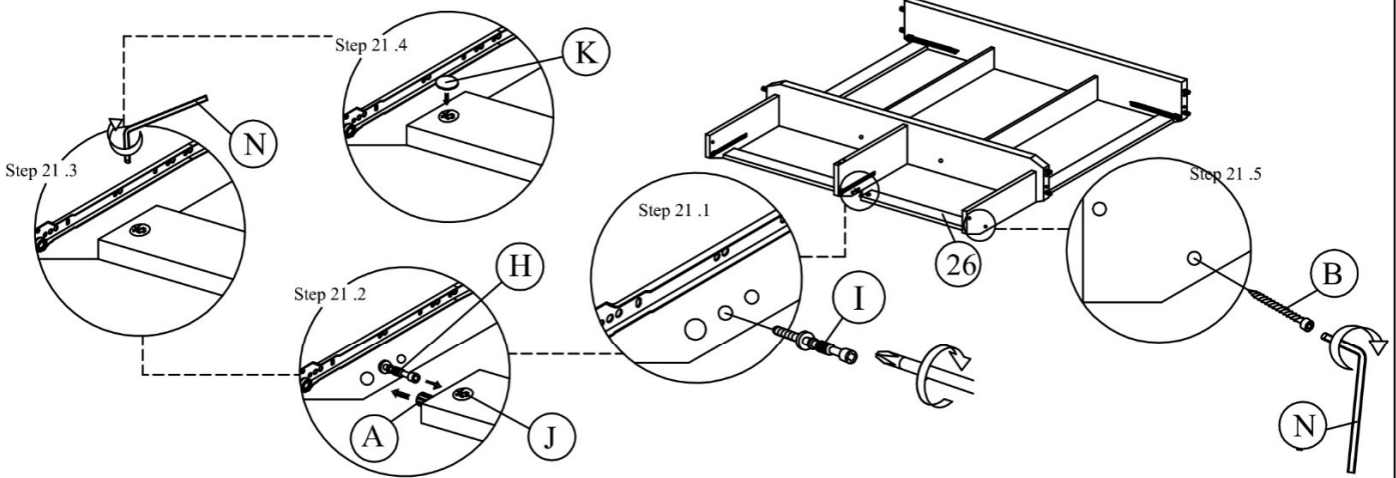
Step 20 : Insert the drawer frame support (25) to the set up frame . Secure the drawer frame support (25) using hardware part B and N.  
**DO NOT use any power tools as this may damage the frame and will invalidate any claim.**



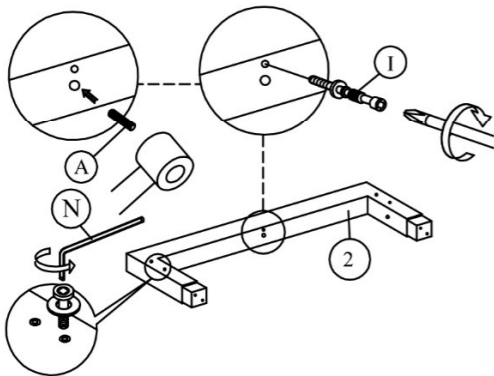




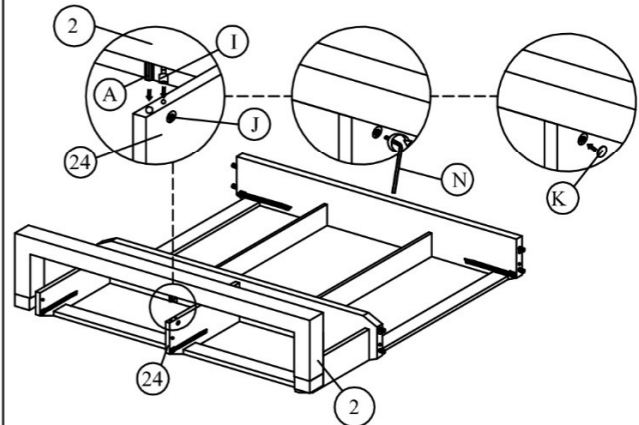
Step 21 : Insert the drawer frame support (26) to the set up frame . Secure the drawer frame support (26) using hardware part B , H , I , J , K and N.  
**DO NOT use any power tools as this may damage the frame and will invalidate any claim.**



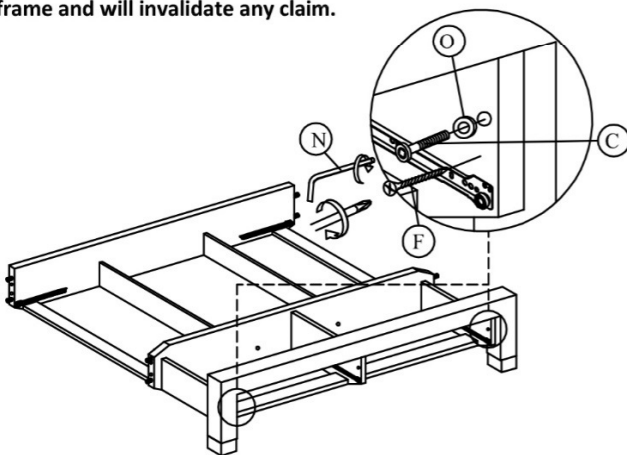
Step 22: Insert hardware part A to the footend (2) using a small mallet (not provided), then insert hardware part I using a screwdriver (not provided).  
**DO NOT use any power tools as this may damage the frame and will invalidate any claim.**



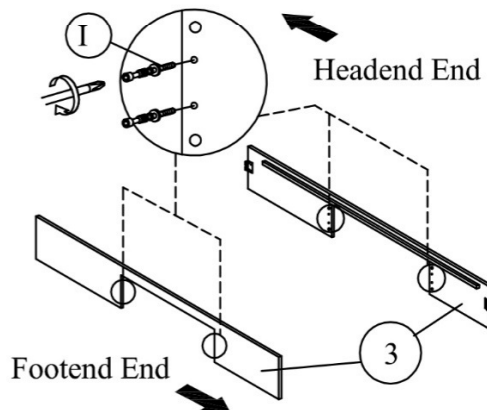
Step 23 : Attach the footend (2) to the frame (24) using the screws and hardware part I , J , K and N  
**DO NOT use any power tools as this may damage the frame and will invalidate any claim.**



Step 24: Secure the frame using hardware parts C , F , N and O with a screwdriver (not provided).  
**DO NOT use any power tools as this may damage the frame and will invalidate any claim.**



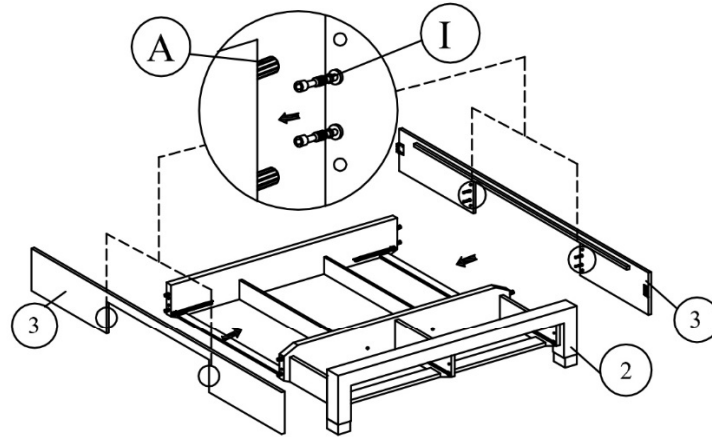
Step 25: Insert hardware part I to the side rails (3) using a screwdriver (not provided).  
**DO NOT use any power tools as this may damage the frame and will invalidate any claim.**





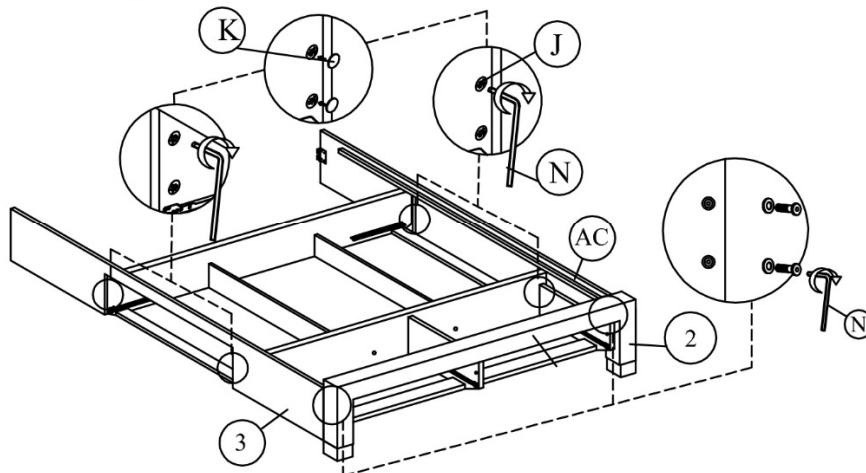
Step 26: Secure the frame using hardware parts A and I.

**DO NOT use any power tools as this may damage the frame and will invalidate any claim.**



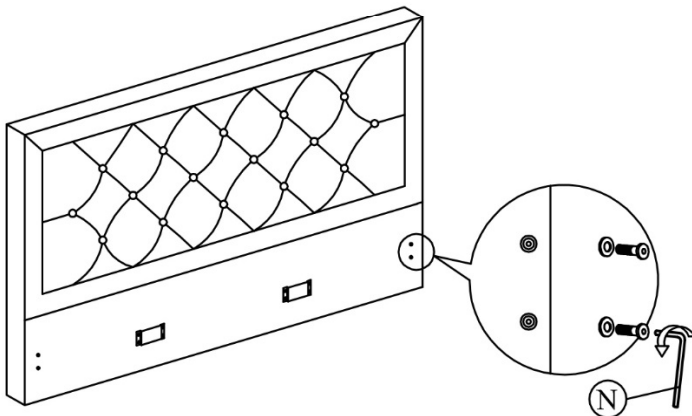
Step 27: Secure the frame using hardware parts J, K and N.

**DO NOT use any power tools as this may damage the frame and will invalidate any claim.**



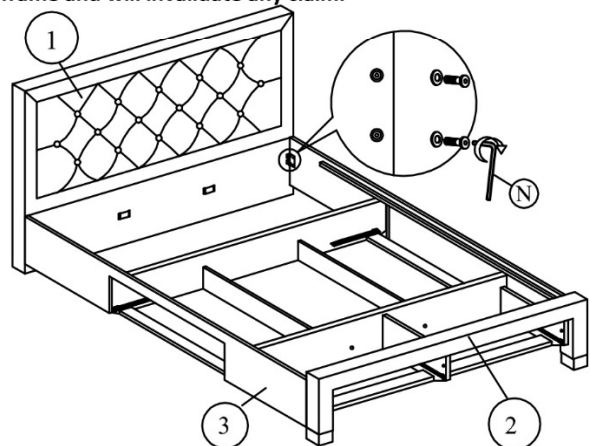
Step 28: Loosen the pre-inserted screws on the headboard (1) using hardware part N.

**DO NOT use any power tools as this may damage the frame and will invalidate any claim.**



Step 29: Attach the headend (1) and footend (2) using the pre-assembled screws and hardware part N.

**DO NOT use any power tools as this may damage the frame and will invalidate any claim.**





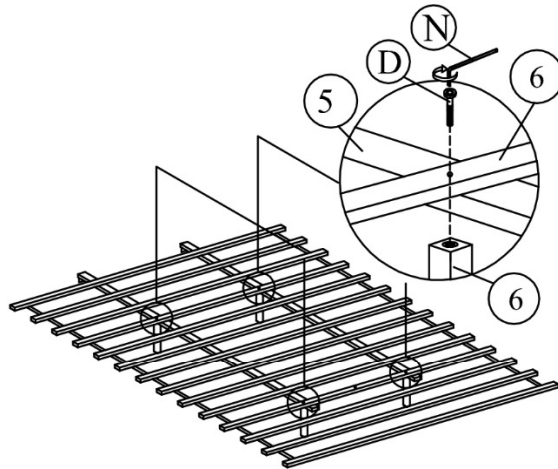
# Birlea

Suppliers of inspiration

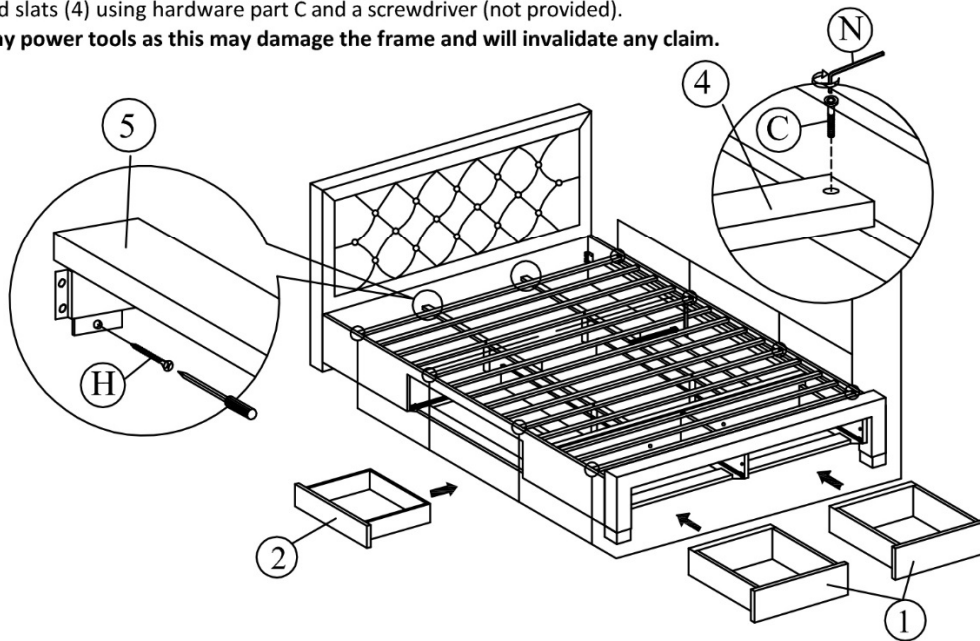
Vendor: S000013



Step 30: Attach the support legs (6) to the centre rail (5) and solid slats (4) using hardware parts D and N.  
**DO NOT use any power tools as this may damage the frame and will invalidate any claim.**



step 31 :Place the slat section into the assembled frame and secure to the headend (1) using hardware part H and a screwdriver (not provided).  
Secure the solid slats (4) using hardware part C and a screwdriver (not provided).  
**DO NOT use any power tools as this may damage the frame and will invalidate any claim.**



## Additional Information:

- For complete product information, images and dimension diagrams please visit the website [www.birlea.com](http://www.birlea.com)
- If you have any issues with your item please contact the retailer directly you purchased it from who will be able to resolve any issues with Birlea.
- Why don't you send us photos of your assembled furniture to [info@birlea.com](mailto:info@birlea.com) to be shared in our #birleahome feature on Instagram.



# Birlea

Suppliers of inspiration

[www.birlea.com](http://www.birlea.com)

Page 11 of 11