



# Birlea

Suppliers of inspiration

Vendor: S000369



## ASSEMBLY INSTRUCTIONS CONRAD 2 DOOR WARDROBE

Important: Read these instructions carefully before assembling or using your conrad 2 door wardrobe. Please keep these instructions for future reference.

### Health & Safety:

Do not use this wardrobe if any parts are missing, damaged or worn.

Do not use this wardrobe unless all fixings are secured.

Always use on a level, even surface.

Warning: If this item is placed on a non-carpeted floor you must place some protection under all legs to stop the wardrobe from moving. If this is not adhered to there is no guarantee if the wardrobe collapses.

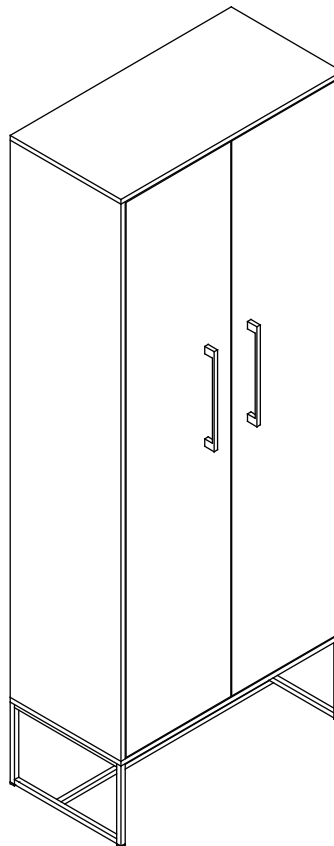
### Care & Maintenance:

Periodically check all screws & fixings to ensure they are secure.

Do not push the wardrobe as this will damage the legs.

Always lift the wardrobe with two people to reposition.

Keep any sharp objects away from the wardrobe.



[www.birlea.com](http://www.birlea.com)

## Hardware



12 x A  
Cam Lock



12 x B  
Quickfit Screw



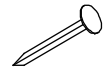
6 x C  
Screw  
**5x35mm**



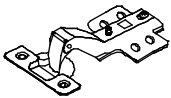
16 x D  
Wooden  
Dowel



6 x E  
Bolt  
**6x40mm**



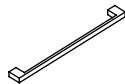
20x F  
Pin



6 x G  
Hinge



40 x H  
Screw  
**4x14mm**



2 x I  
Handle



4 x J  
Bolt  
**6x35mm**



2 x K  
Hanging Rail  
Bracket



8 x L  
Screw  
**4x30mm**



2 x M  
Wall Plug

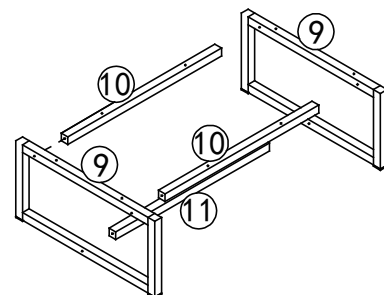
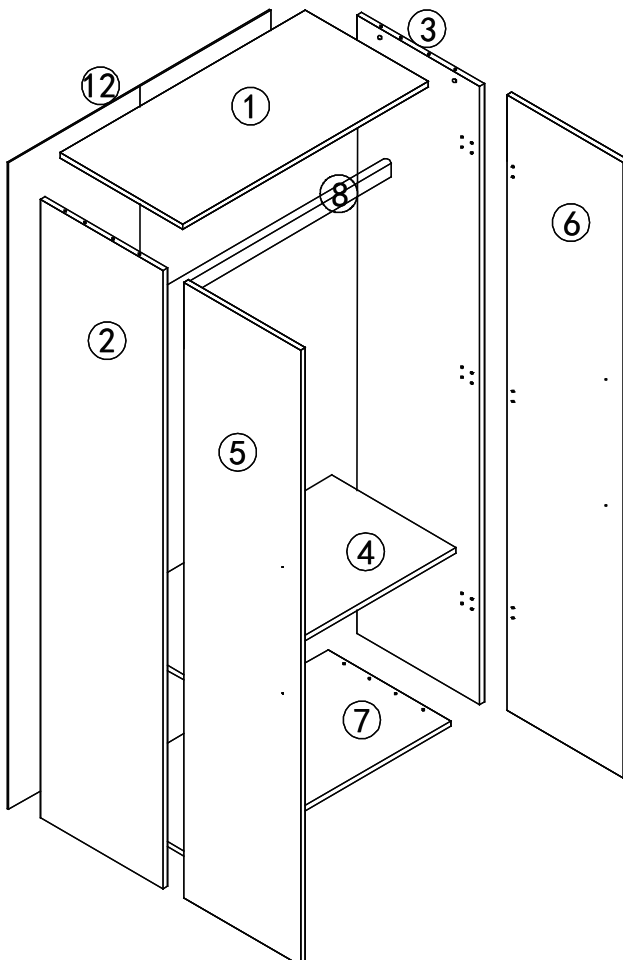


2 x N  
Screw



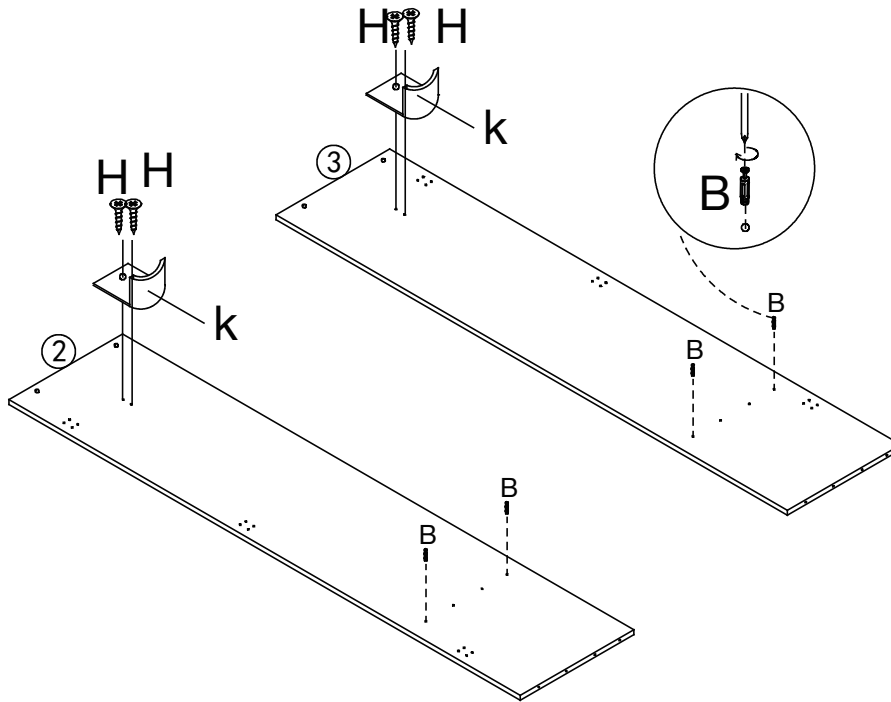
2 x O  
Wall Strap

## Parts



## Step 1

Carefully insert quickfit screw B to panels 2 and 3, as shown.  
Attach the hanging rail bracket K using screw H, to panels 2 and 3, as shown.



B x 4



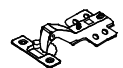
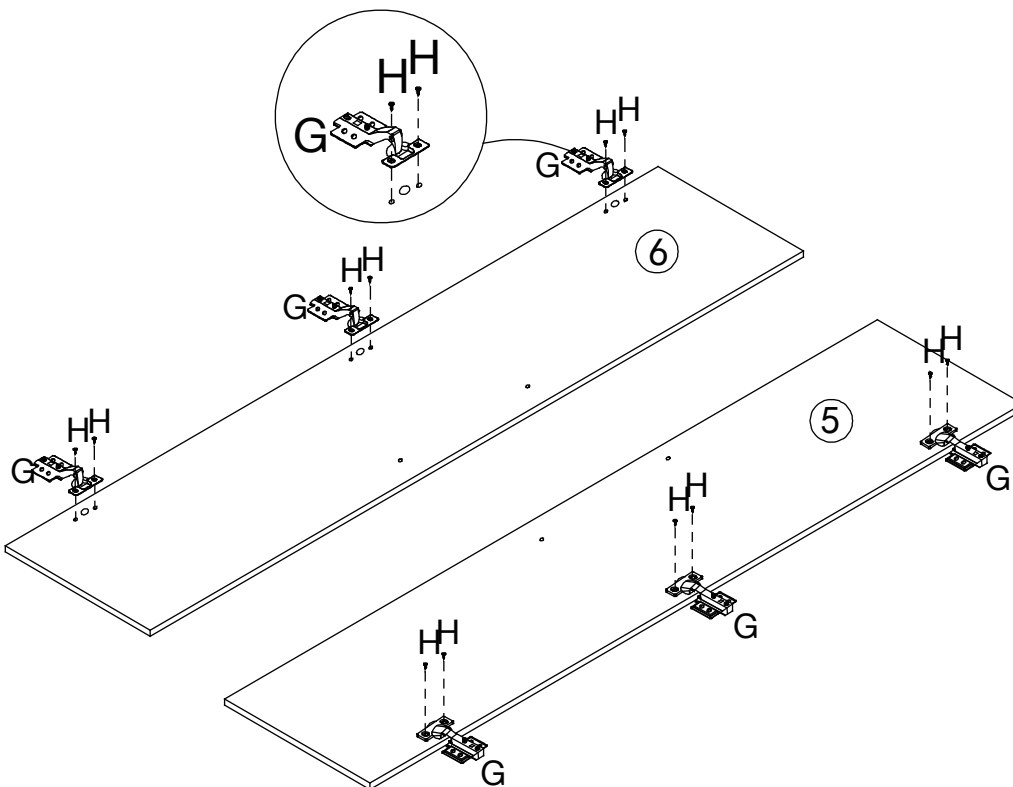
H x 4



K x 2

## Step 2

Attach the hinges G using screw H, to doors 5 and 6, as shown.



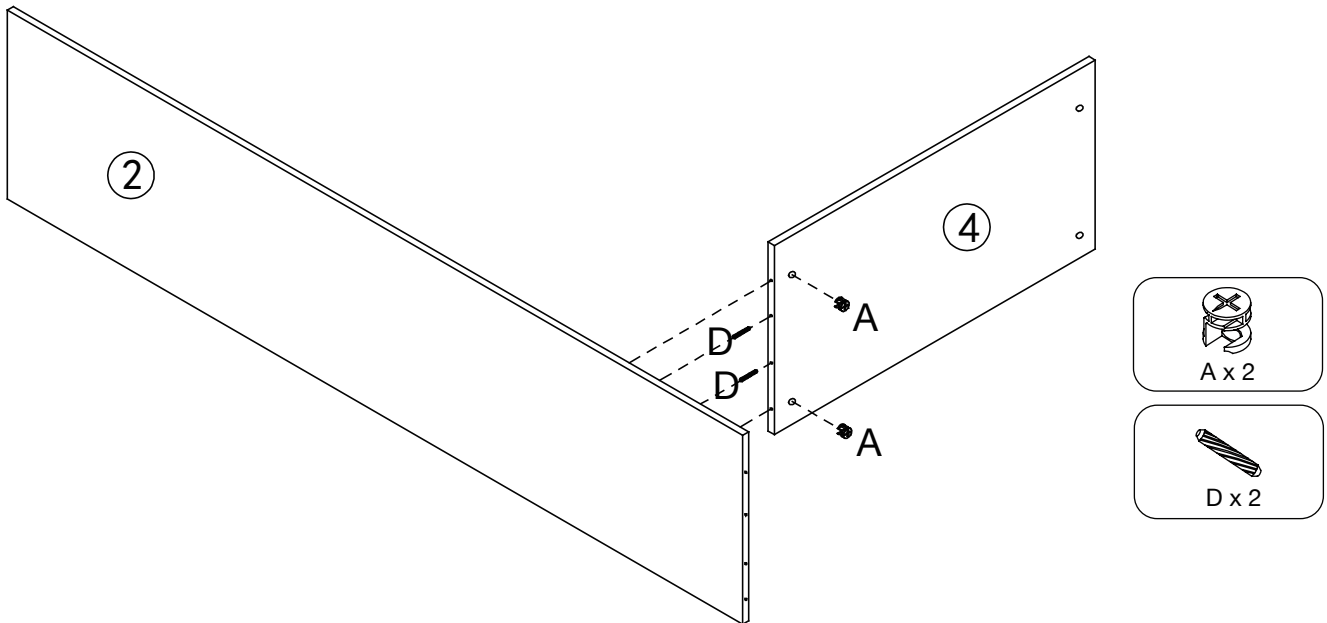
G x 6



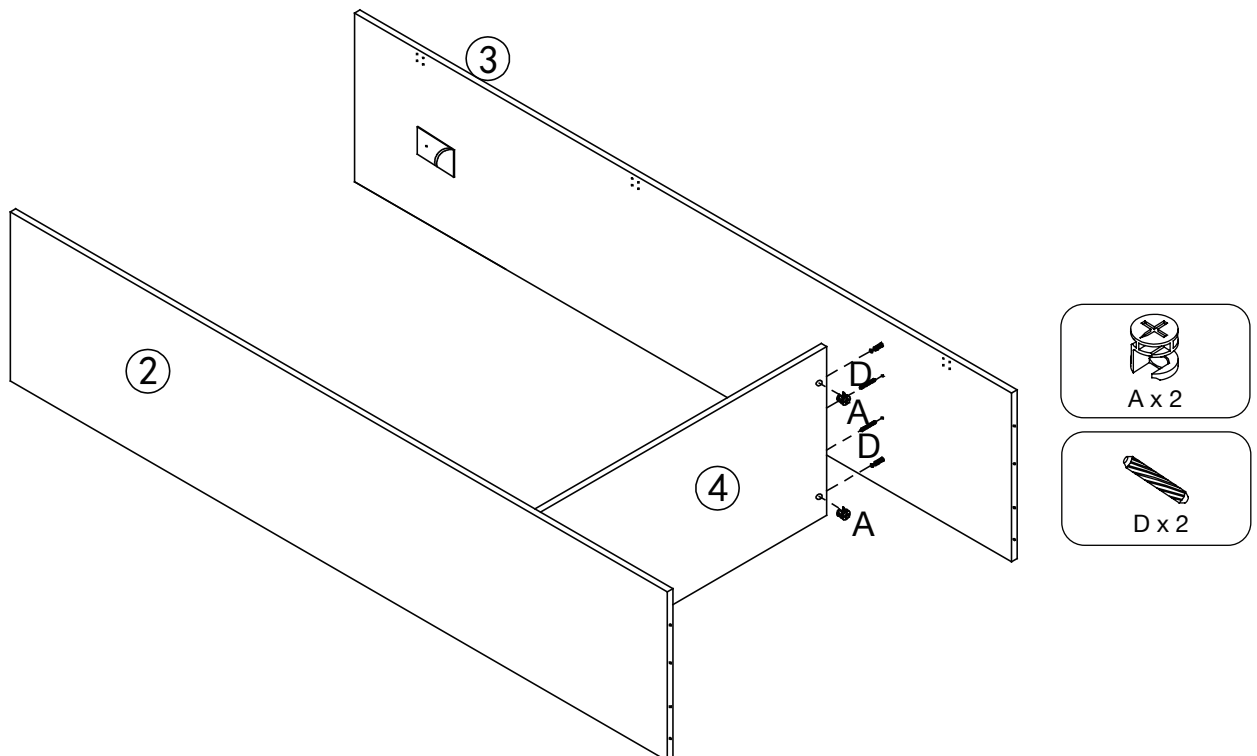
H x 12

**Step 3**

Carefully fit cam locks A and wooden dowel D to panel 4 and connect to panel 2, as shown. Turn camlocks clockwise to tighten.

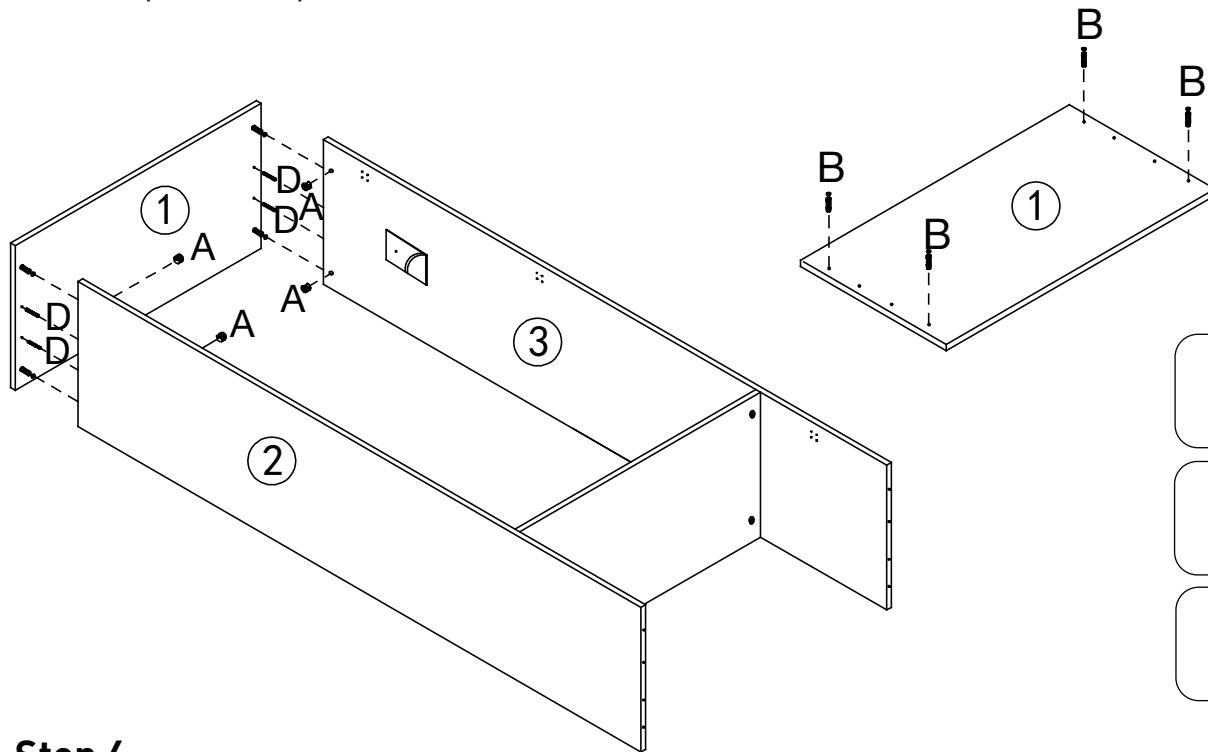
**Step 4**

Carefully fit cam locks A and wooden dowel D to panels 4 and connect to panel 3, as shown.



## Step 5

Carefully insert quickfit screws B to panel 1, as shown.  
 Carefully fit cam locks A and wooden dowel D to panels 2 and 3.  
 Connect panel 1 to panels 2 and 3.



A x 4



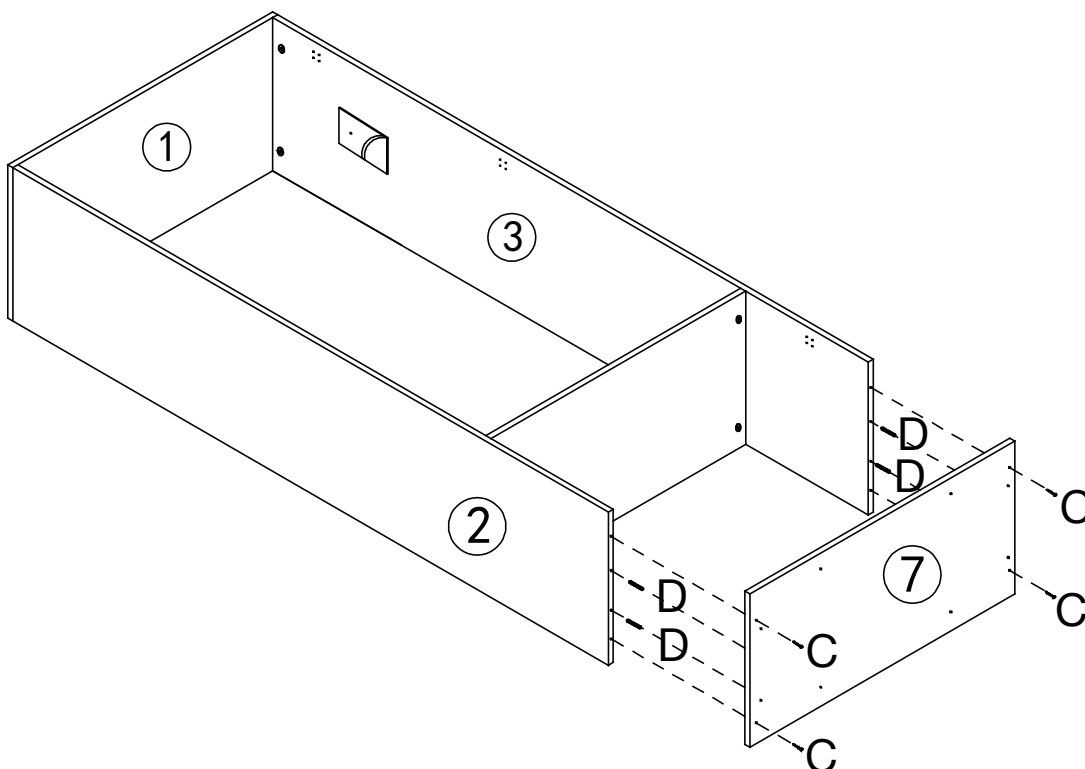
B x 4



D x 4

## Step 6

Carefully fit wooden dowel D to panels 2 and 3, as shown.  
 Carefully connect panel 7 to panels 2 and 3.  
 Carefully insert screws C to connect panel 7 to 2 and 3.



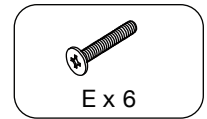
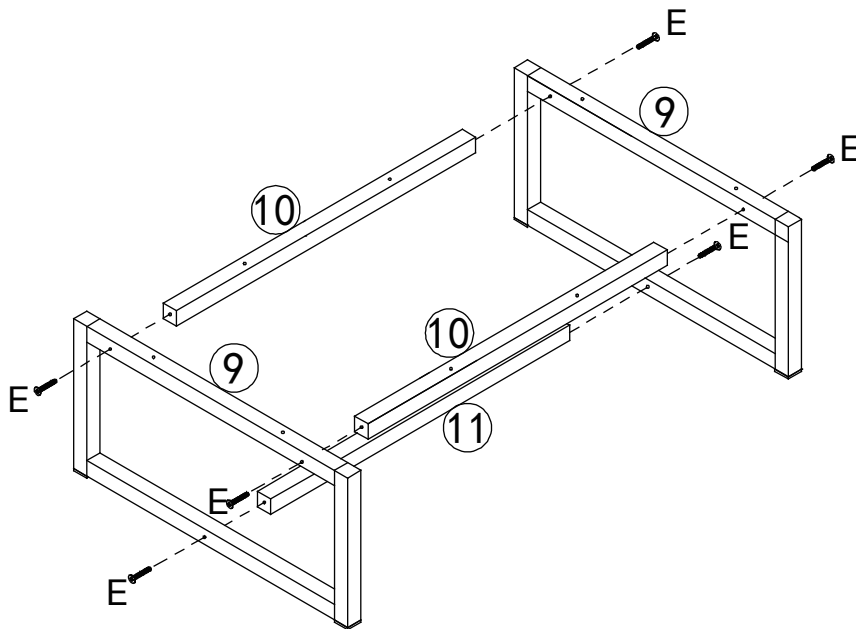
C x 4



D x 4

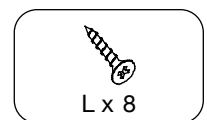
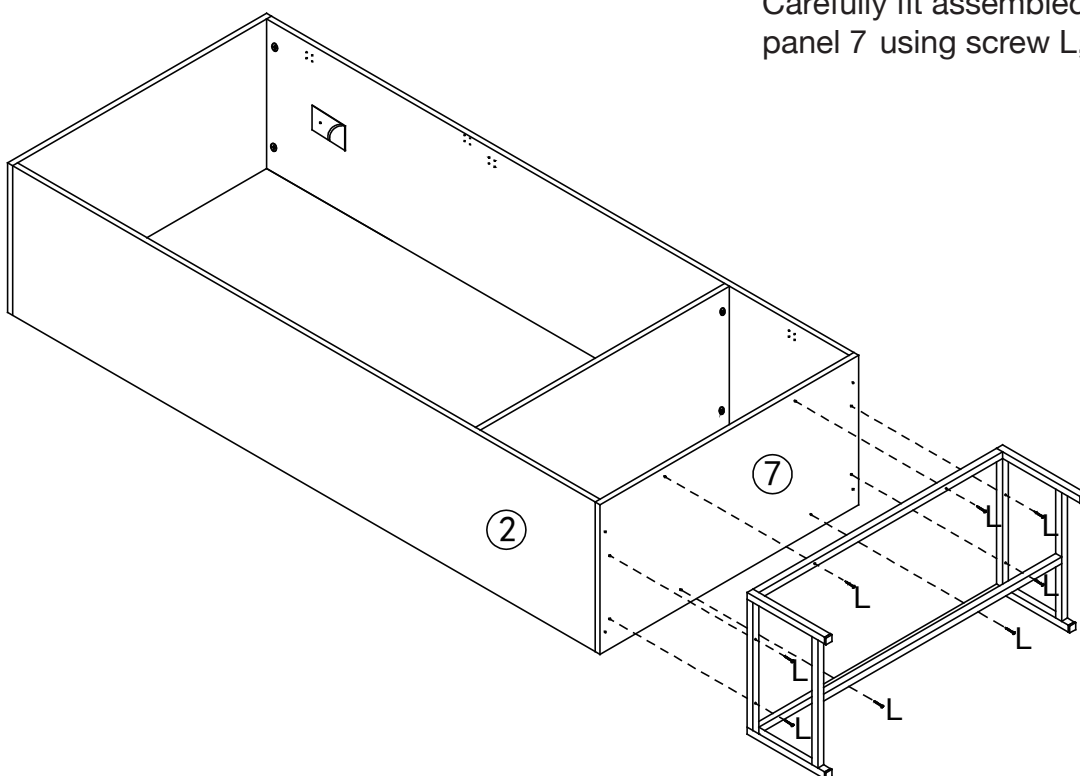
### Step 7

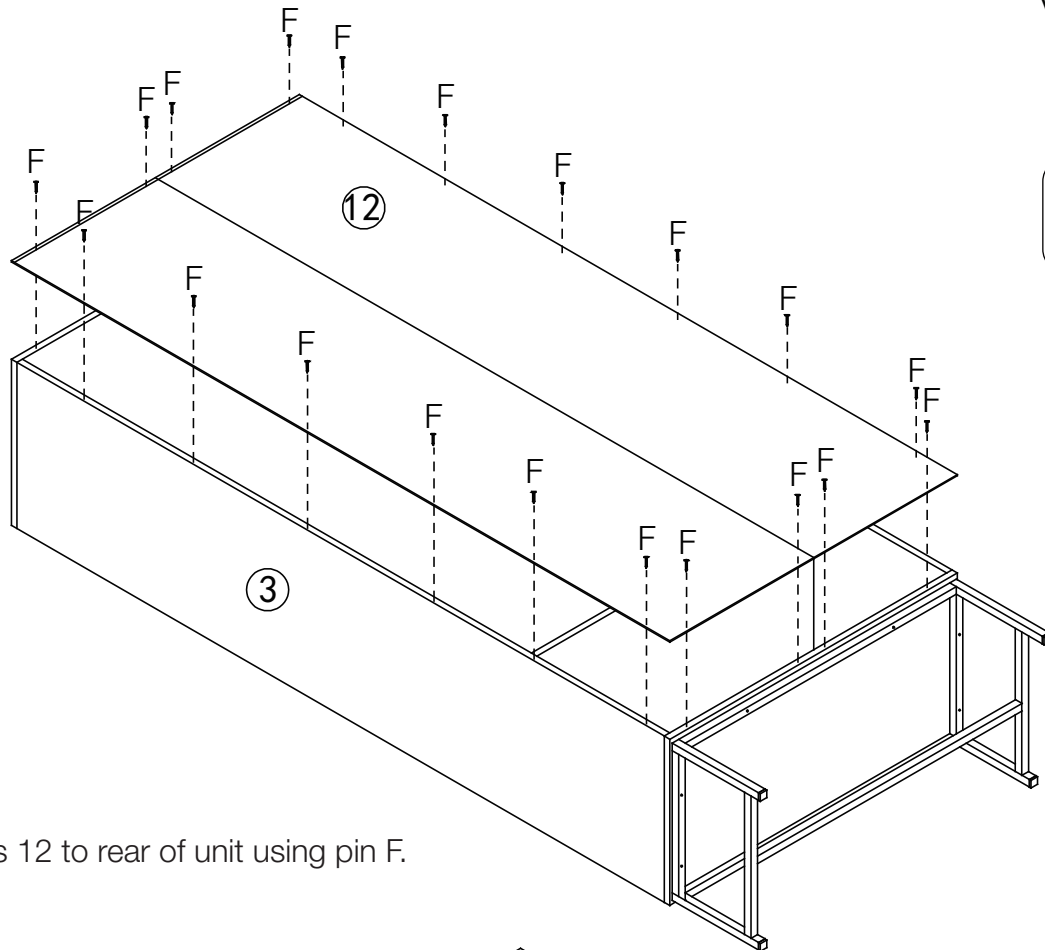
Carefully fit bolt E to part 9, 10, 11 to assemble leg unit, as shown.



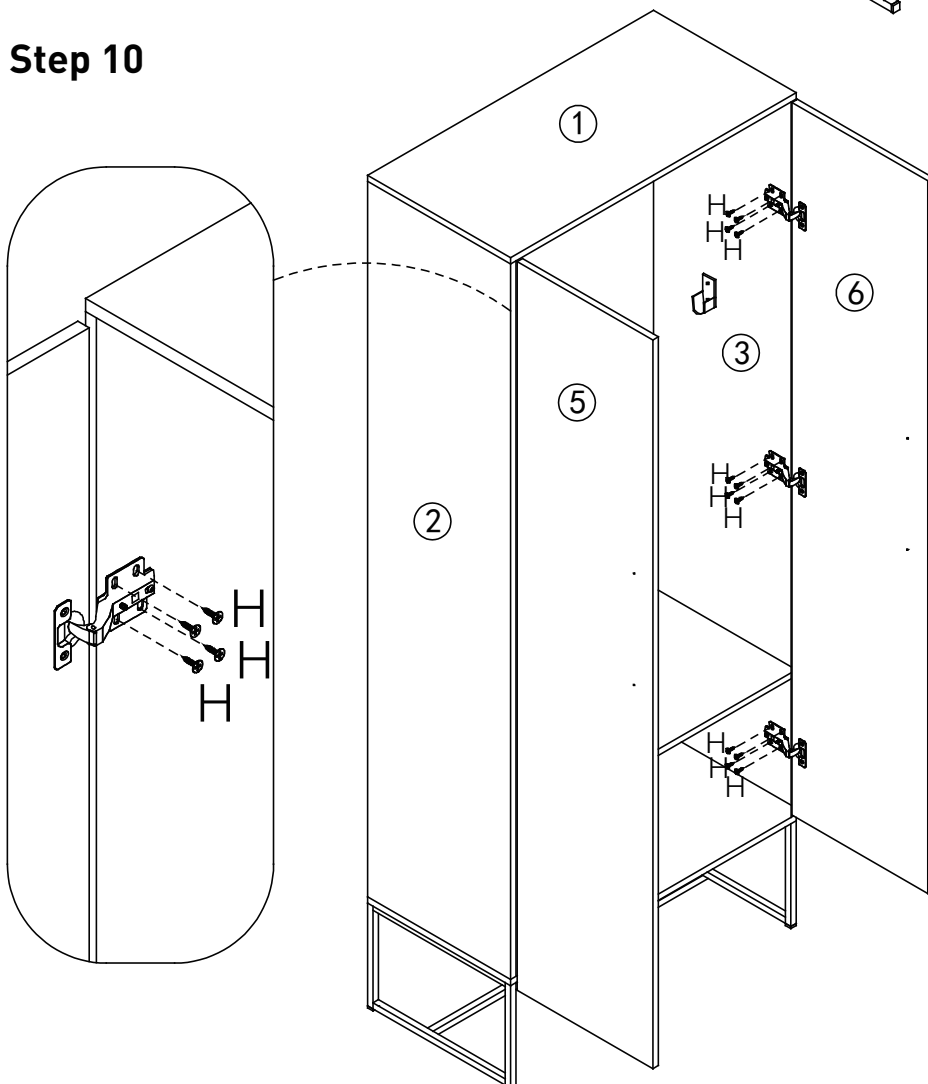
### Step 8

Carefully fit assembled leg unit to panel 7 using screw L, as shown.



**Step 9**

Fit panels 12 to rear of unit using pin F.

**Step 10**

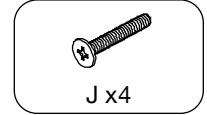
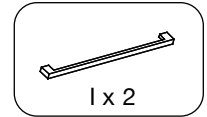
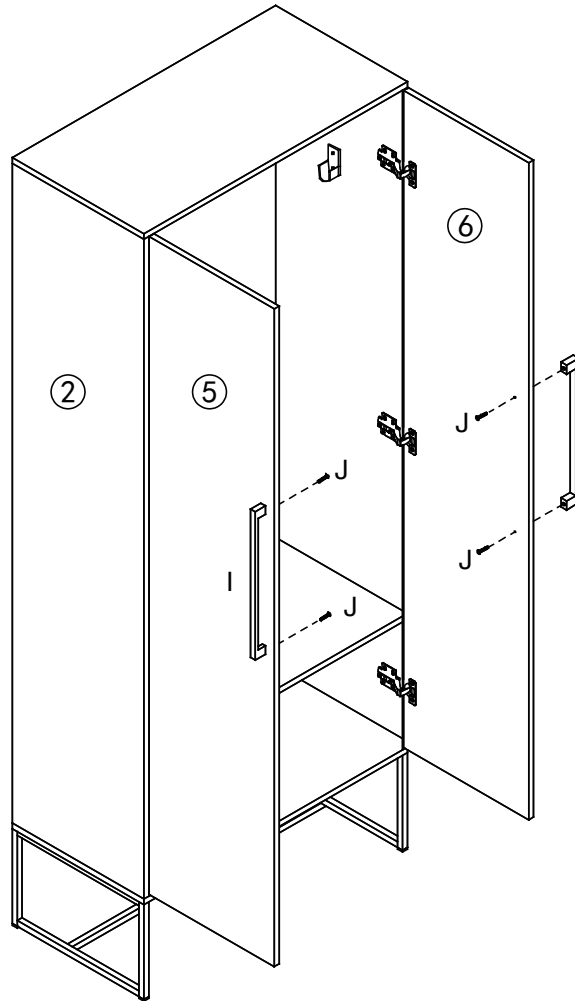
Carefully stand the cupboard upright. One person holds the door in place, while the other fix door 5 using screw H to panel 2.

Fix door 6 using screw H to panel 3, as shown.

H x 18

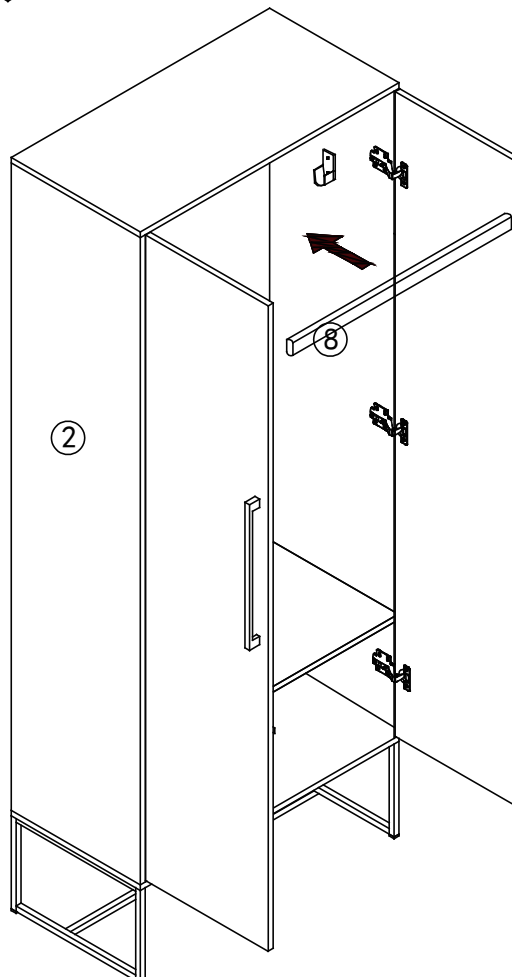
### Step 11

Attach the door handles I using bolts J.



### Step 12

Put the hanging rail 8 to rest on the hanging rail bracket K, as shown.

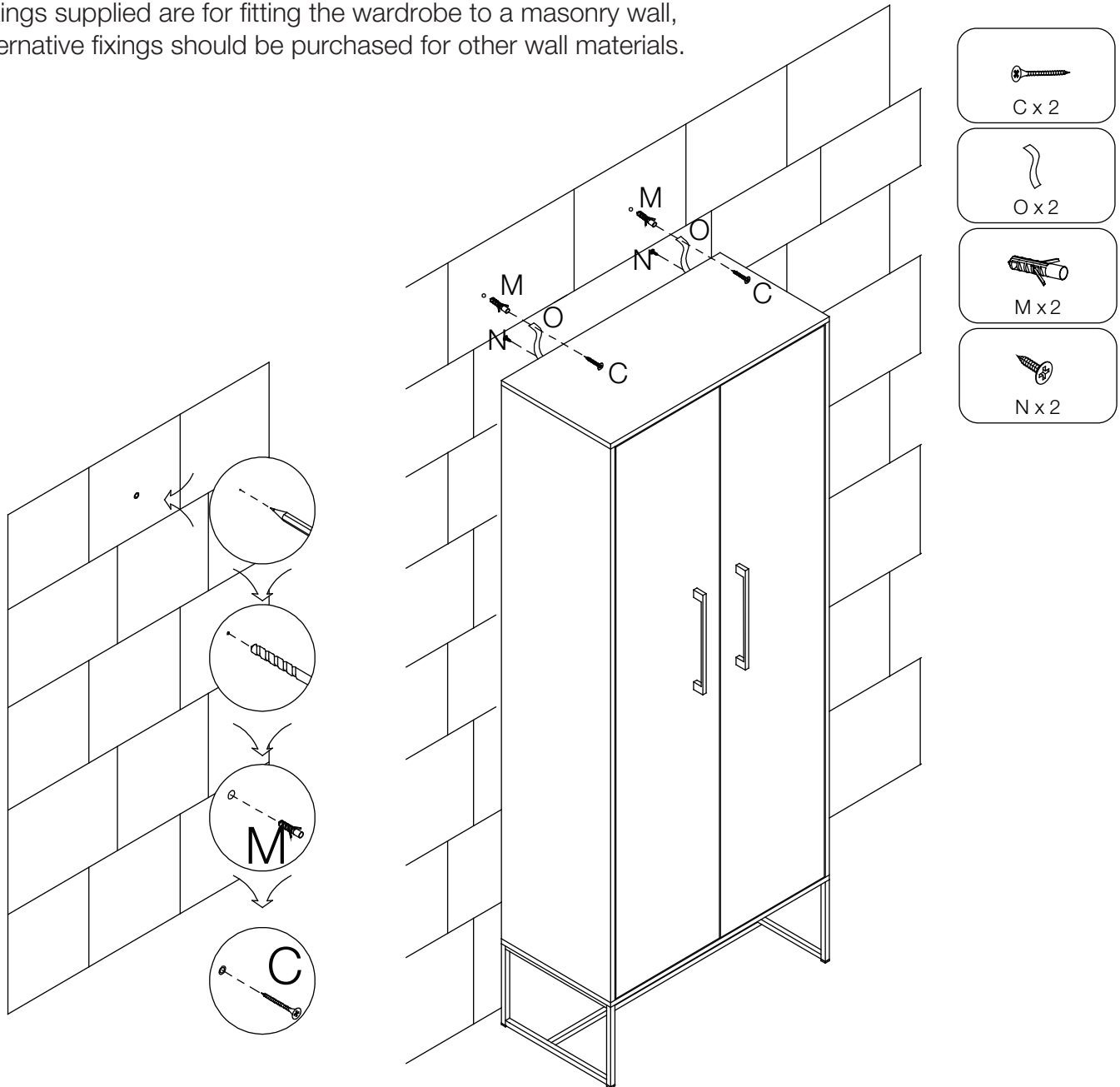




## Step 13

For extra stability, it is recommended that you fix your cupboard to the wall using the additional hardware C, O, N and M, as shown.

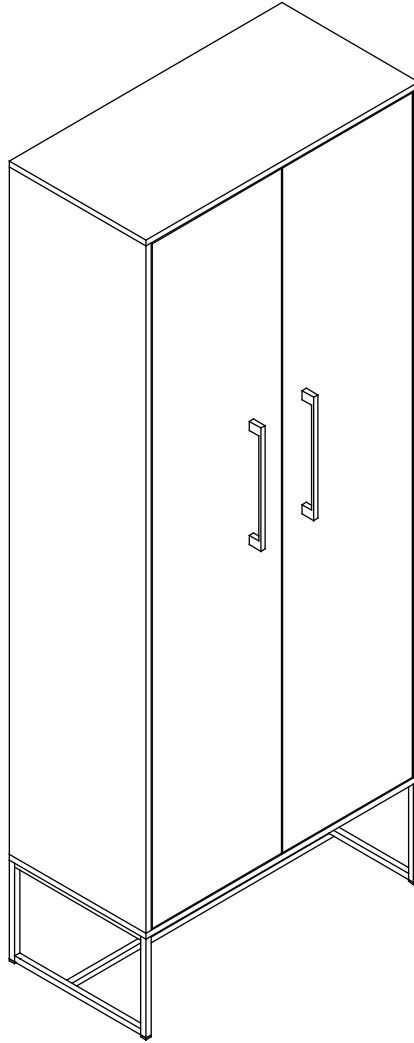
Should you choose not to affix the product to the wall, serious injury may be caused if the product tips over. Fixings supplied are for fitting the wardrobe to a masonry wall, alternative fixings should be purchased for other wall materials.



## Step 14

Your wardrobe is ready for use.

Please note the maximum recommended weight limit of each layer is 4kg and 10kg for the complete unit.



## Additional Information:

- For complete product information, images and dimension diagrams please visit the website [www.birlea.com](http://www.birlea.com)
- If you have any issues with your item please contact the retailer directly you purchased it from who will be able to resolve any issues with Birlea.
- Why don't you send us photos of your assembled furniture to [info@birlea.com](mailto:info@birlea.com) to be shared in our #birleahome feature on Instagram.



**Birlea**

Suppliers of inspiration