



# Birlea

Suppliers of inspiration

Vendor: S000084



## ASSEMBLY INSTRUCTIONS

### VICTORIA 5' BED

**IMPORTANT: READ THESE INSTRUCTIONS CAREFULLY BEFORE ASSEMBLING OR USING YOUR VICTORIA 5' BED FRAME.**

PLEASE KEEP THESE INSTRUCTIONS FOR FUTURE REFERENCE.

#### HEALTH & SAFETY:

DO NOT jump on this bed frame.

DO NOT use this bed frame if any parts are missing, damaged or worn.

DO NOT use this bed frame unless all fixings are secured.

Please keep small parts out of reach of children.

Always use on a level, even surface.

**WARNING:** If this bed is placed on a non-carpeted floor you must place some protection under all legs to stop the bed frame from moving. If this is not adhered to there is no guarantee if the bed frame collapses.

#### CARE & MAINTENANCE:

Assemble in the room of use.

Periodically check all screws & fixings to ensure they are secure.

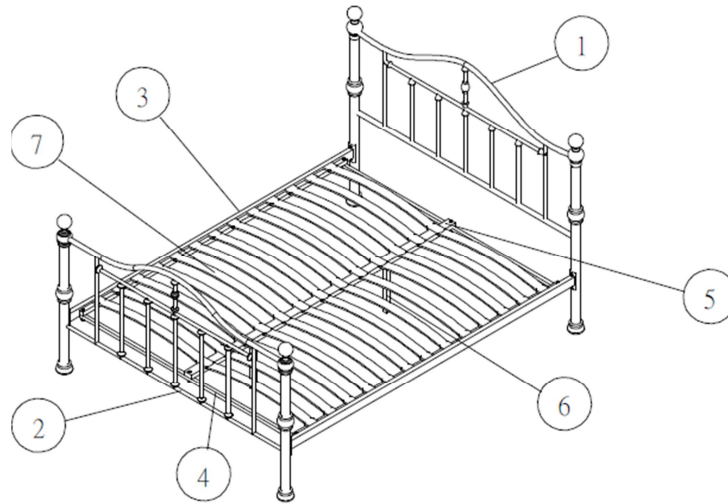
DO NOT push the bed frame as this will damage the legs.


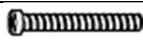
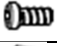







Always lift the bed with two people to reposition.

Keep any sharp objects away from the frame.



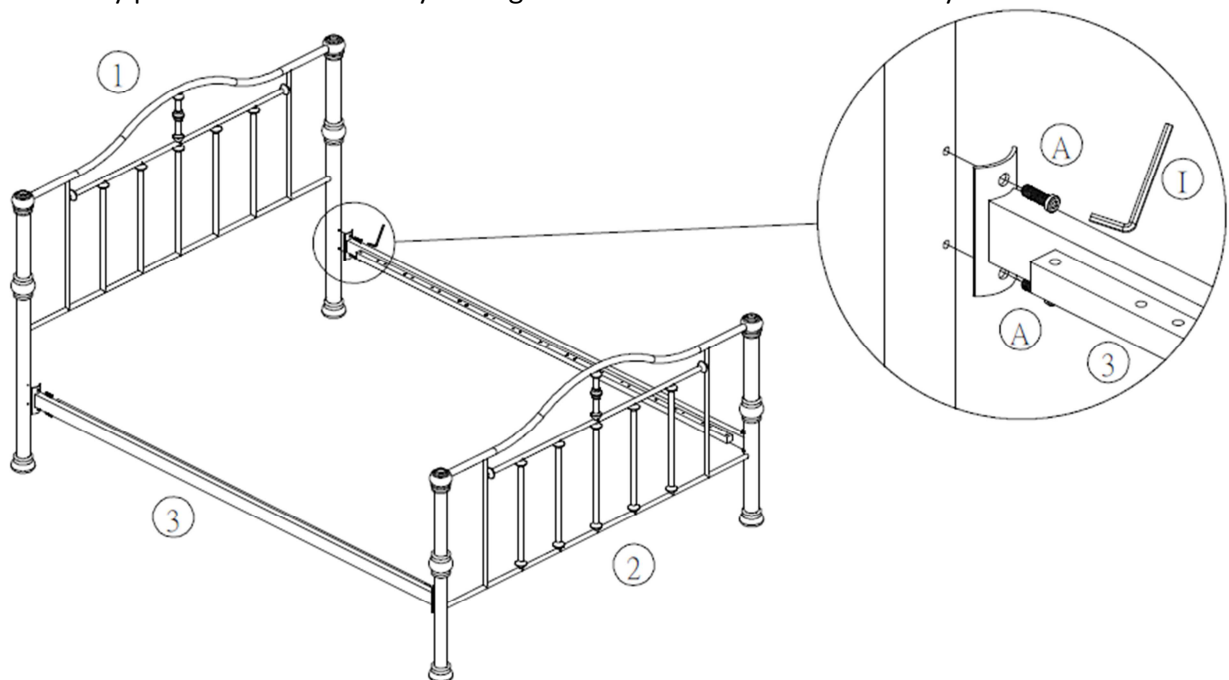
[www.birlea.com](http://www.birlea.com)



Parts List				Hardware List			
Part	Description	Box	Qty	Part	Description	Box	Qty
1	Headend	1	1	A	M8 x 25mm JCBC Screw 	1	8
2	Footend	1	1	B	1/4" x 60mm JCBC Screw 	2	6
3	Side Rail	2	2	C	1/4" x 15mm JCBC Screw 	2	4
4	Cross Bar	2	2	D	Hex Nut 	2	6
5	Centre Rail	2	1	E	Double Slat Cap 	2	13
6	Support Leg	2	2	F	Single Slat Cap 	2	26
7	Slat	3	26	G	Finial 	1	4
				H	M4 Allen key 	2	1
				I	M5 Allen key 	1	1
				J	Spanner 	2	1

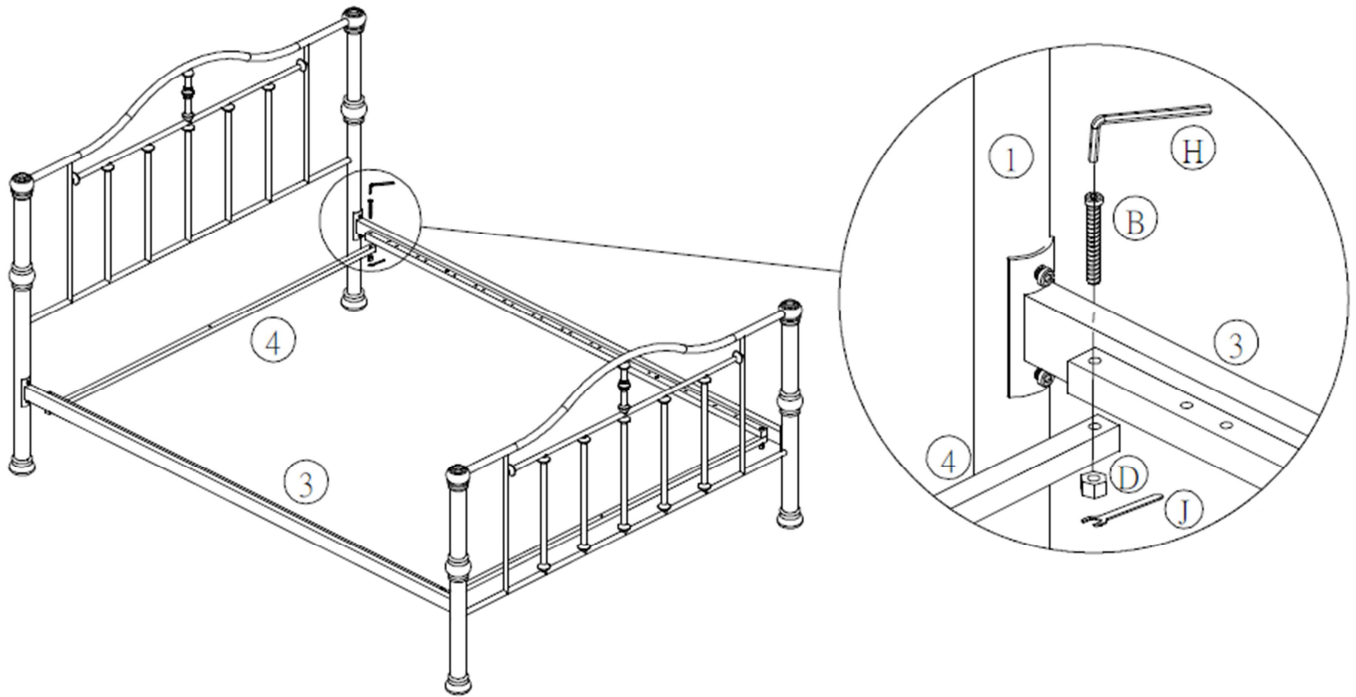
Step 1: Fix the side rails (3) to the headend (1) and footend (2) using hardware parts A and I but do not fully tighten the screws until after step 2.

DO NOT use any power tools as this may damage the frame and will invalidate any claim.



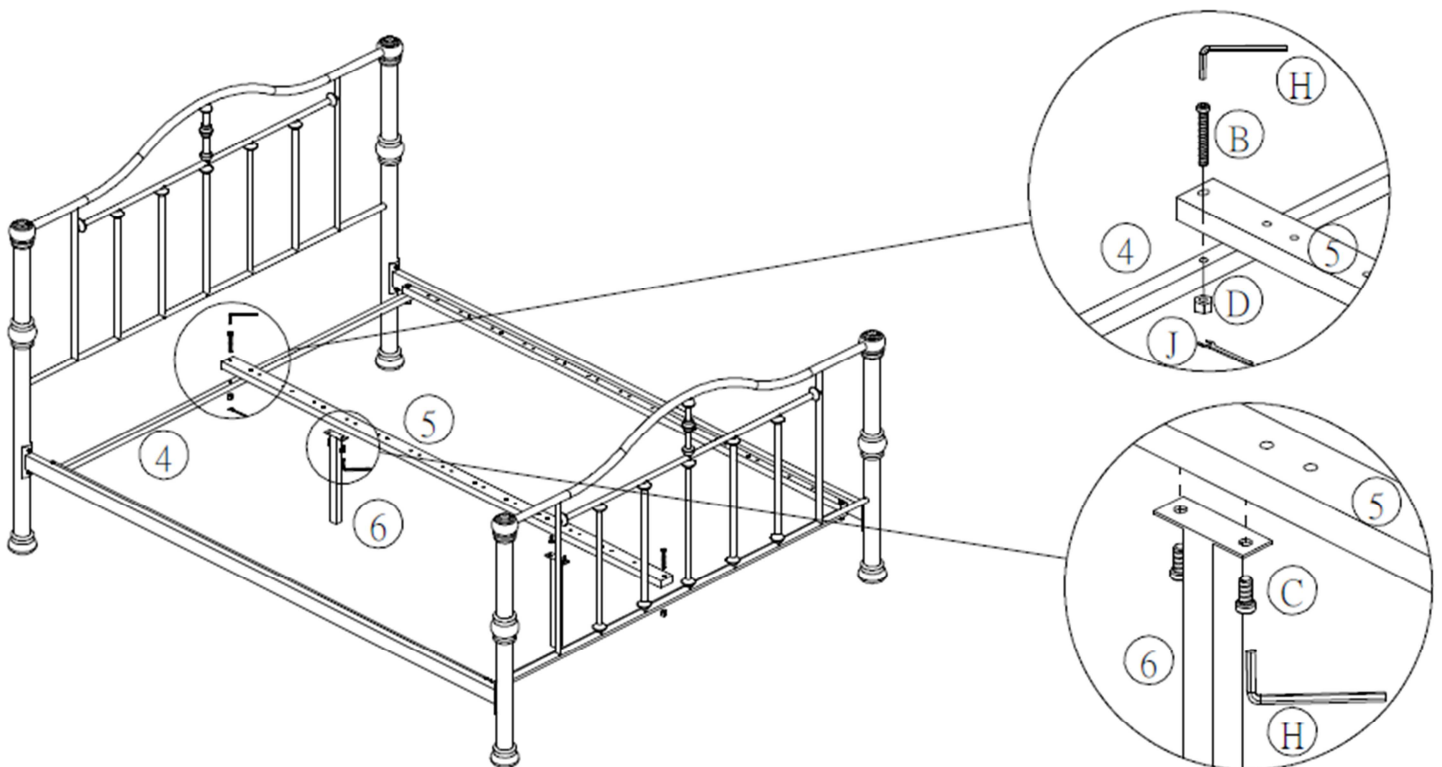
Step 2: Attach the cross bars (4) to the side rails (3) using hardware parts B, D, H and J. Fully tighten the screws from step 1.

DO NOT use any power tools as this may damage the frame and will invalidate any claim.

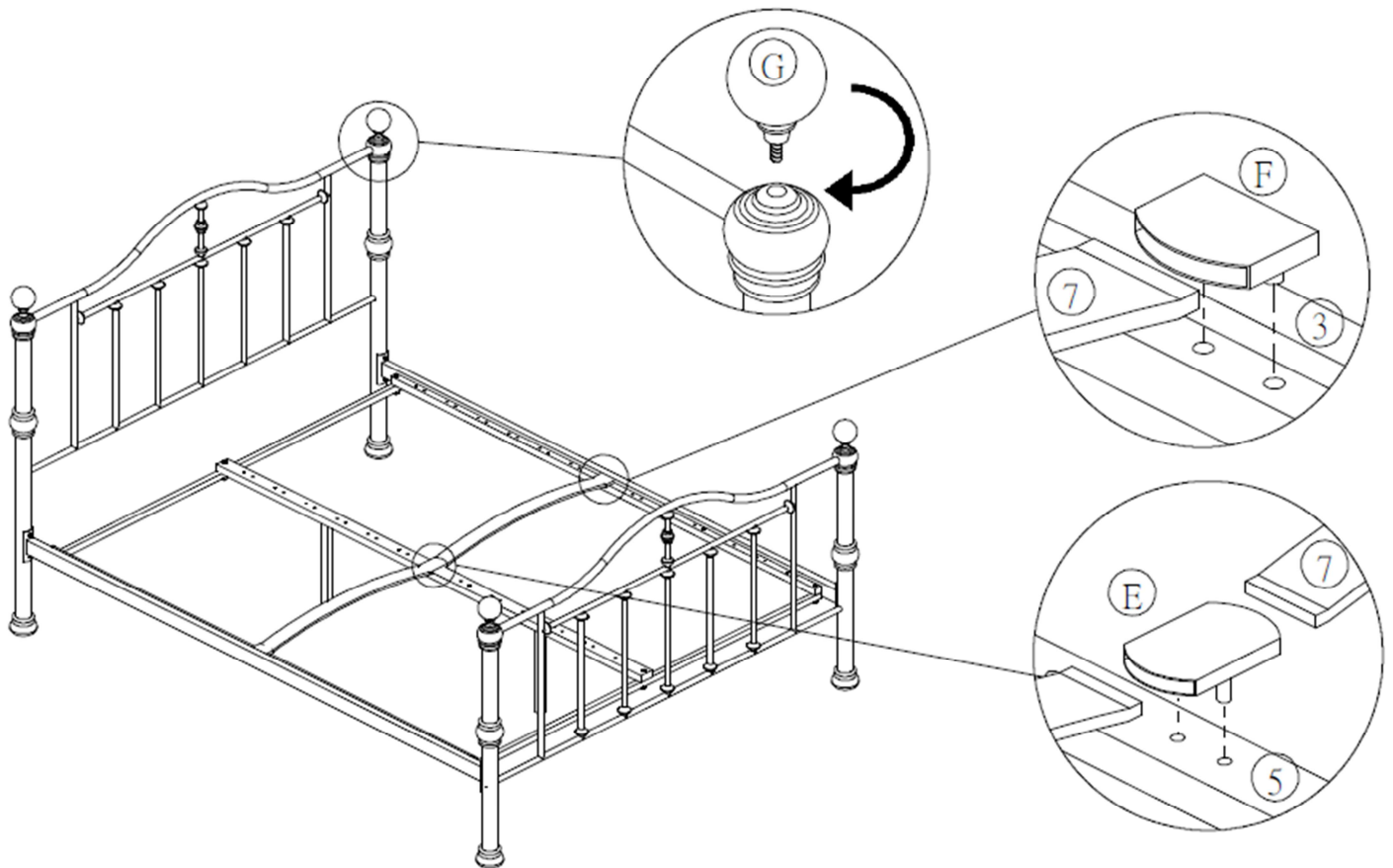


Step 3: Attach the support legs (6) to the centre rail (5) using hardware parts C and H then attach the centre rail (5) to the cross bars (4) using hardware parts B, D, H and J.

DO NOT use any power tools as this may damage the frame and will invalidate any claim.



Step 4: Attach the slats (7) as shown, pressing hardware parts E and F firmly into the side rails (3) and centre rail (5). Fix hardware part G into position on the headend (1) and footend (2)



### Additional Information:

- For complete product information, images and dimension diagrams please visit the website [www.birlea.com](http://www.birlea.com)
- If you have any issues with your item please contact the retailer directly you purchased it from who will be able to resolve any issues with Birlea.
- Why don't you send us photos of your assembled furniture to [info@birlea.com](mailto:info@birlea.com) to be shared in our #birleahome feature on Instagram.