

ASSEMBLY INSTRUCTIONS
SEATTLE BUNK BED PINE

IMPORTANT: READ THESE INSTRUCTIONS CAREFULLY BEFORE ASSEMBLING OR USING YOUR SEATTLE PINE BUNK BED FRAME.

PLEASE KEEP THESE INSTRUCTIONS FOR FUTURE REFERENCE.

HEALTH & SAFETY:

DO NOT jump on this bed frame.

This bed has not been designed or constructed as play equipment.

DO NOT use this bed frame if any parts are missing, damaged or worn.

DO NOT use this bed frame unless all fixings are tightly secured.

Always use on a level, even surface.

Please keep small parts out of reach of children.

Be aware of the danger of young children (under 6) falling from the upper bunk. It is not advisable for children under the age of 6 to sleep on the top bunk.

This bed is tested to European safety standard BS EN 747.

CAUTION: There is the risk of strangulation to children from items such as string, ropes, cords, harnesses and belts hanging from the bed frame.

WARNING: Children can become trapped between the bed and the wall. To avoid risk of serious injuries the gap between the top rail and the wall should not exceed 75 mm, or it should be more than 230 mm.

WARNING: If this bed is placed on a non-carpeted floor you must place some protection under all legs to stop the bed frame from moving. If this is not adhered to there is no guarantee if the bed frame collapses.

CARE & MAINTENANCE:

Assemble in the room of use.

Periodically check all screws & fixings to ensure they are secure.

DO NOT push the bed frame as this will damage the legs.

Always lift the bed with two people to reposition.

Keep any sharp objects away from the frame.

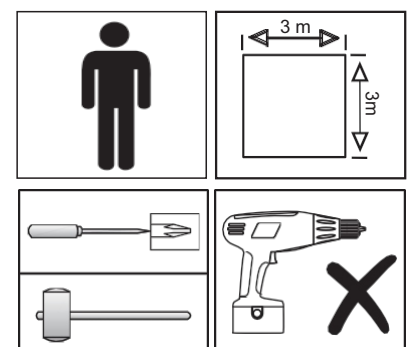
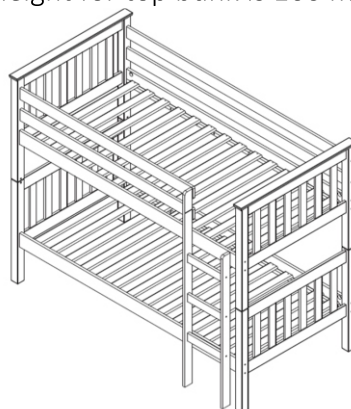
Avoid exposing the frame to excessive heat or direct sunlight as this can cause cracking and deterioration of the product colour.

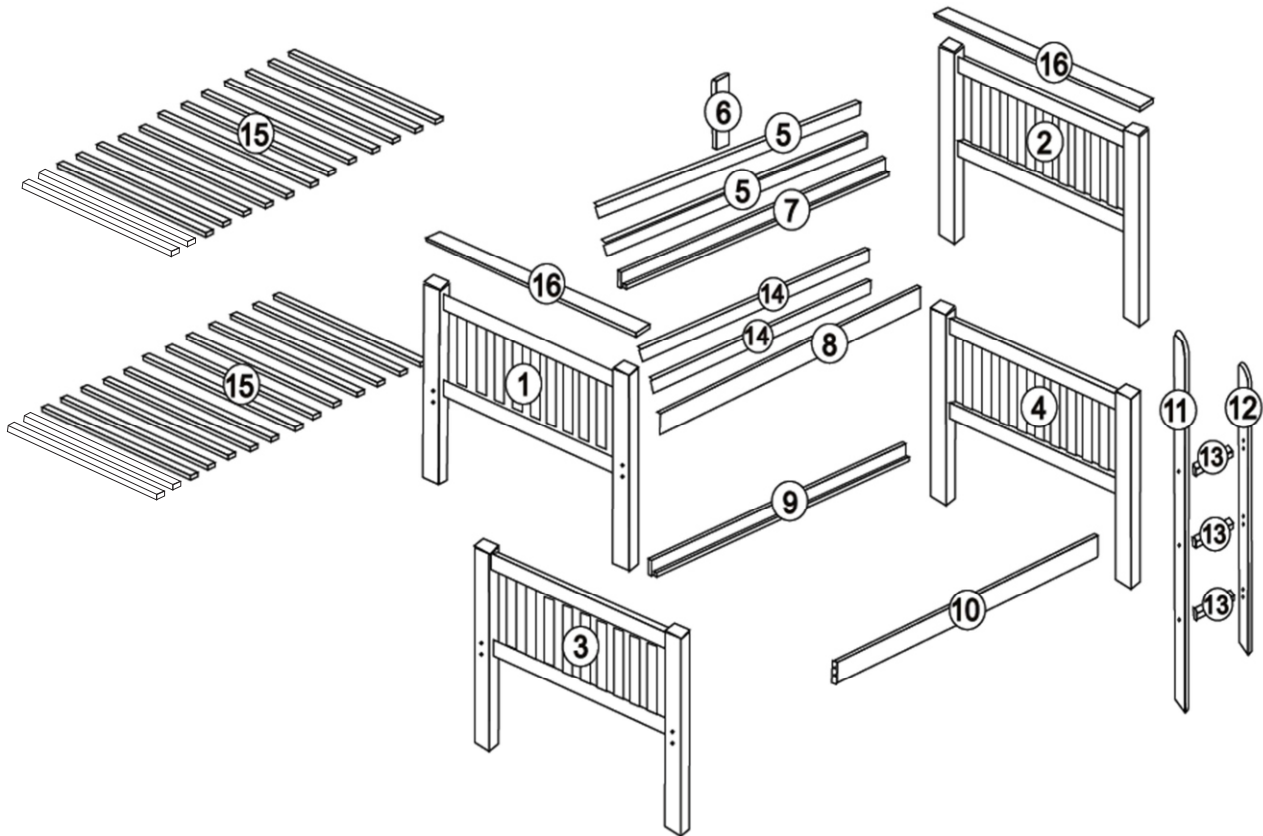
The slats provided are an integral part of the bed and must be fitted as shown.

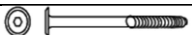
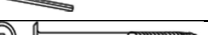


Periodically dust the frame lightly with a soft, clean cloth. DO NOT use any silicon based furniture polishes.

Any spills should be removed immediately with a damp cloth.

Recommended maximum mattress height for top bunk is 160 mm.

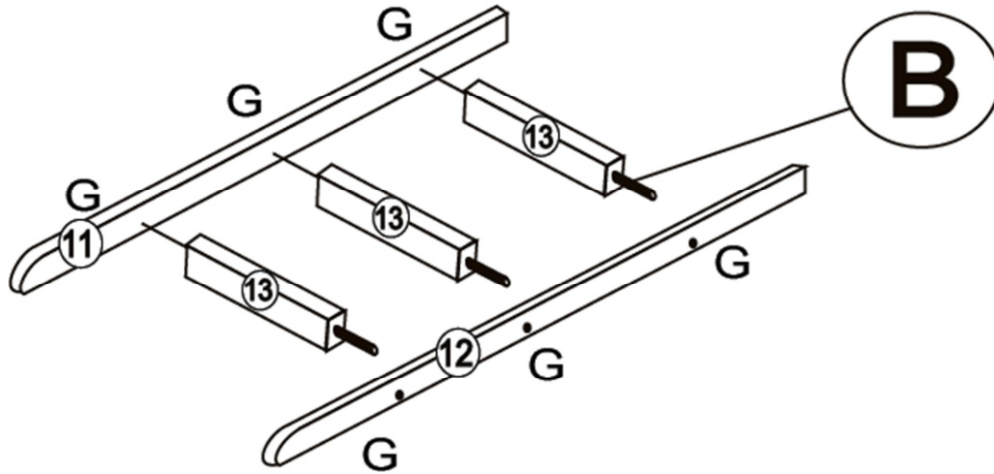




Parts List				Hardware List (found in box 1)		
Part	Description	Box	Qty	Part	Description	Qty
1	Top Headend	1	1	A	15 x 90 mm Wooden Dowel 	4
2	Top Footend	1	1	B	10 x 40 mm Wooden Dowel 	28
3	Bottom Headend	1	1	C	7 x 100 mm Screw 	6
4	Bottom Footend	1	1	D	¼" x 110 mm Black Screw 	8
5	Back Guard Rail	2	2	E	¼" Elliptical Nut 	8
6	Back Rail Support	2	1	F	Allen Key 	1
7	Top Back Side Rail	2	1	G	7 x 50 mm Screw 	12
8	Top Front Side Rail	2	1	H	4 x 35 mm CC Screw 	64
9	Bottom Back Side Rail	2	1	I	4 x 35 mm FL Screw 	3
10	Bottom Front Side Rail	2	1	J	7 x 80 mm Screw 	6
11	Left Ladder Panel	2	1	K	Glue 	2
12	Right Ladder Panel	2	1	L	Wooden Spacer 	2
13	Step	2	3	** You will need a screwdriver and small mallet (not provided).		
14	Front Guard Rail	2	2			
15	Slat	3	28			
16	Plinth	2	2			

Step 1: Assemble the ladder using hardware parts B, F and G.

DO NOT use any power tools as this may damage the frame and will invalidate any claim.

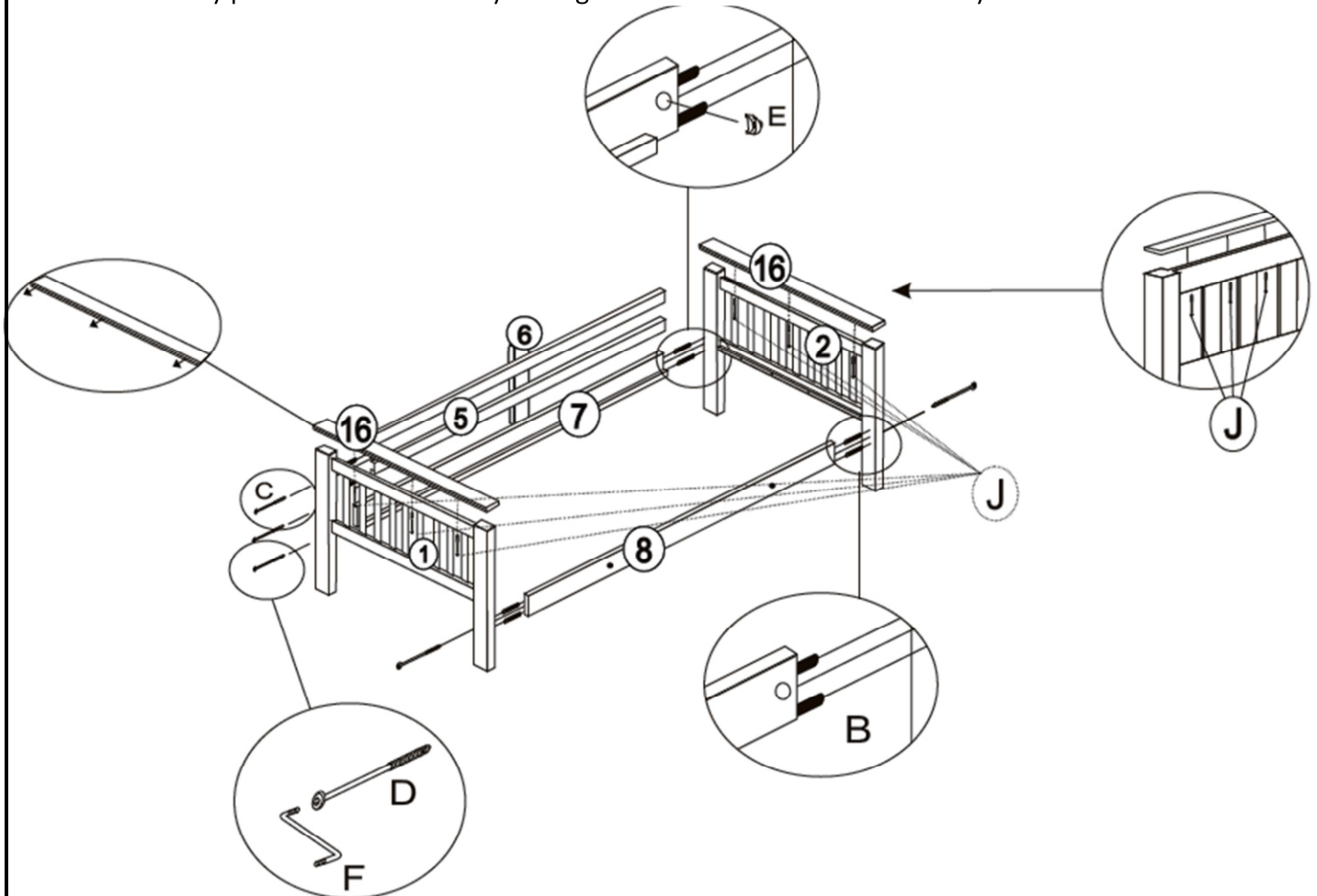


Step 2: Attach the plinths (16) to the top headend (1) and top footend (2) using hardware parts F and J.

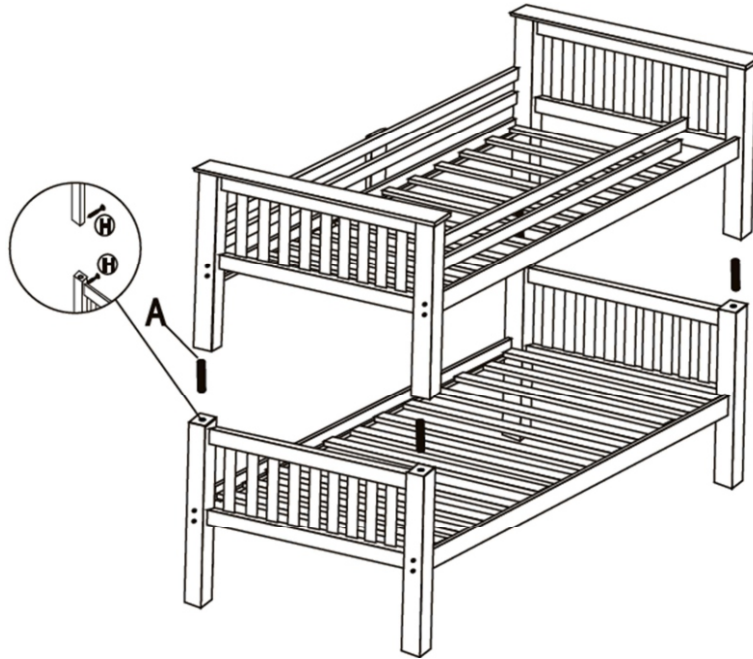
Attach the top back side rail (7) and top front side rail (8) to the bed ends using hardware parts B, D, E and F.

Attach the back guard rails (5) using hardware parts C and F.

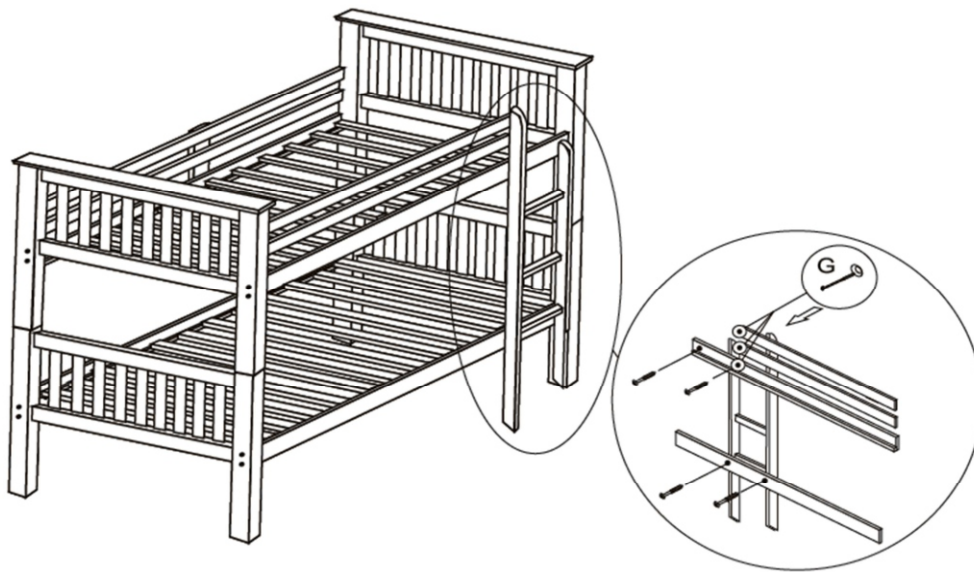
DO NOT use any power tools as this may damage the frame and will invalidate any claim.



Step 5: Connect the two frames together using hardware parts A and H with a screwdriver (not provided).
DO NOT use any power tools as this may damage the frame and will invalidate any claim.



Step 6: Attach the ladder using hardware parts F and G.
DO NOT use any power tools as this may damage the frame and will invalidate any claim.



Additional Information:

- For complete product information, images and dimension diagrams please visit the website www.birlea.com
- If you have any issues with your item please contact the retailer directly you purchased it from who will be able to resolve any issues with Birlea.
- Why don't you send us photos of your assembled furniture to info@birlea.com to be shared in our #birleahome feature on Instagram.