



# Birlea

Suppliers of inspiration

Vendor: S000238



## ASSEMBLY INSTRUCTIONS PORTO 4'6 BED

**IMPORTANT: READ THESE INSTRUCTIONS CAREFULLY BEFORE ASSEMBLING OR USING YOUR PORTO 4'6 BED FRAME.**

PLEASE KEEP THESE INSTRUCTIONS FOR FUTURE REFERENCE.

### HEALTH & SAFETY:

DO NOT jump on this bed frame.

DO NOT use this bed frame if any parts are missing, damaged or worn.

DO NOT use this bed frame unless all fixings are secured.

Always use on a level, even surface.

**WARNING:** If this bed is placed on a non-carpeted floor you must place some protection under all legs to stop the bed frame from moving. If this is not adhered to there is no guarantee if the bed frame collapses.

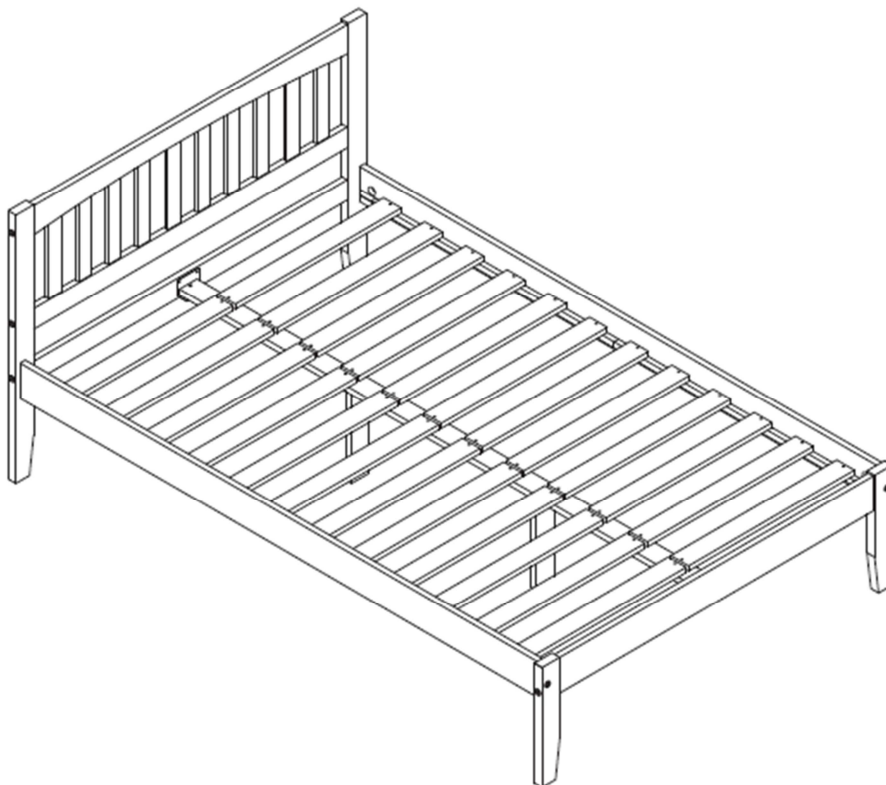
### CARE & MAINTENANCE:

Periodically check all screws & fixings to ensure they are secure.

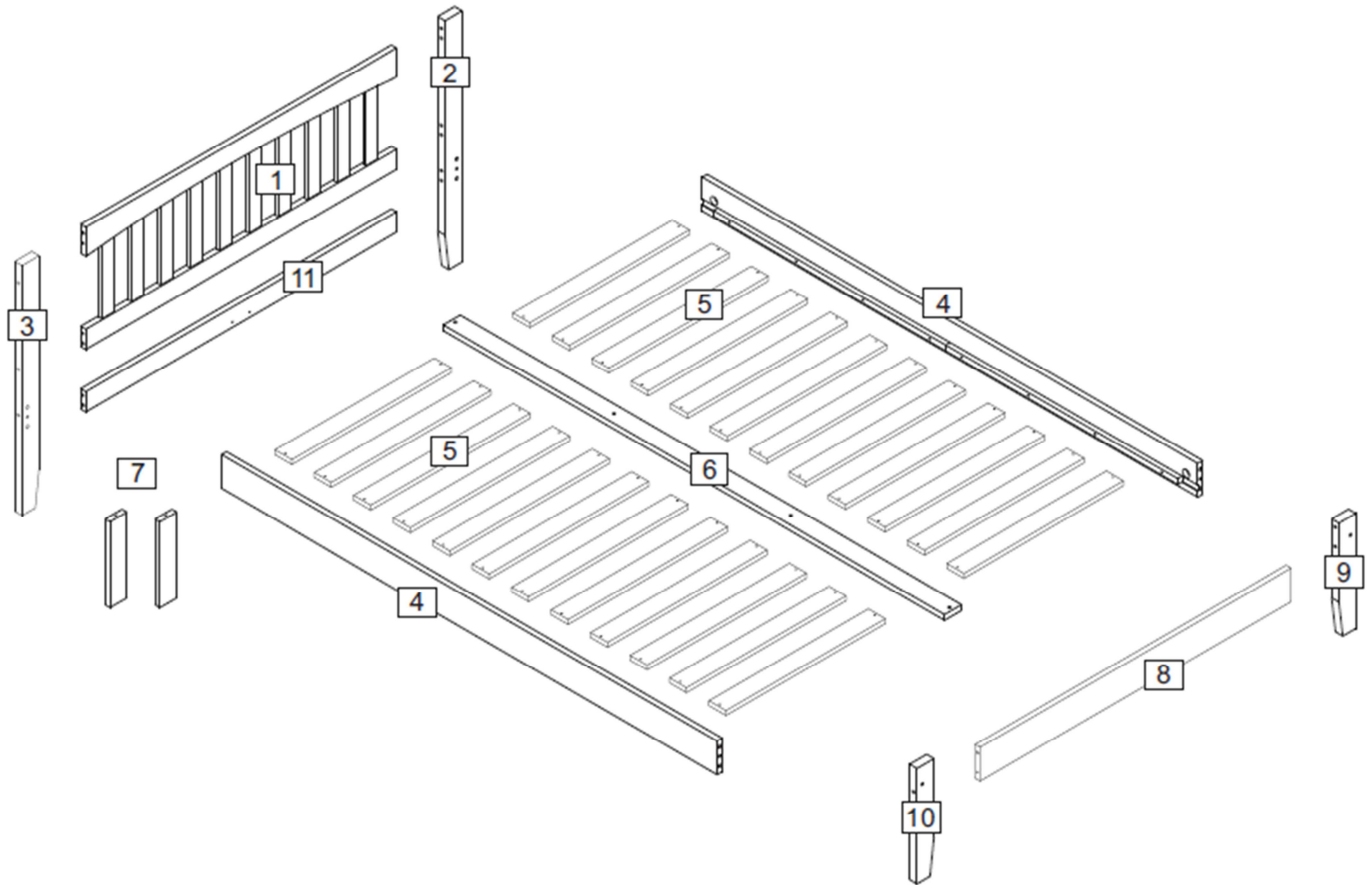
DO NOT push the bed frame as this will damage the legs.

Always lift the bed with two people to reposition.

Keep any sharp objects away from the frame.

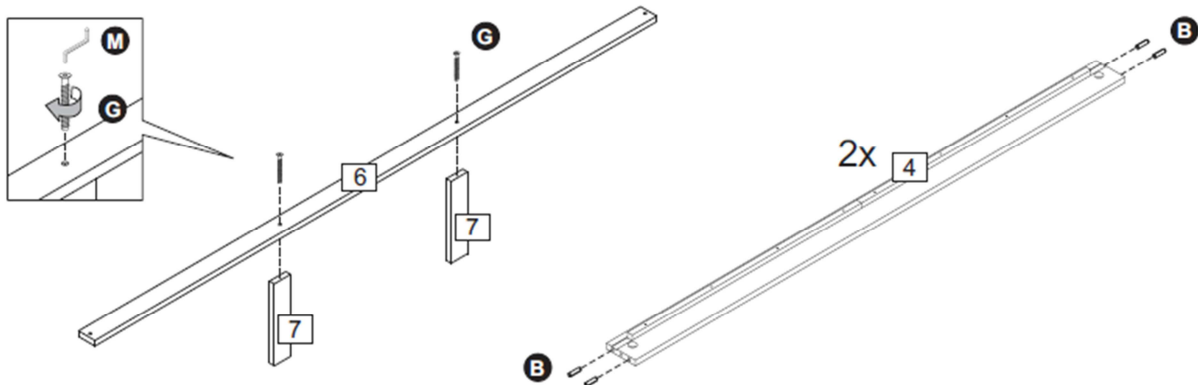


[www.birlea.com](http://www.birlea.com)

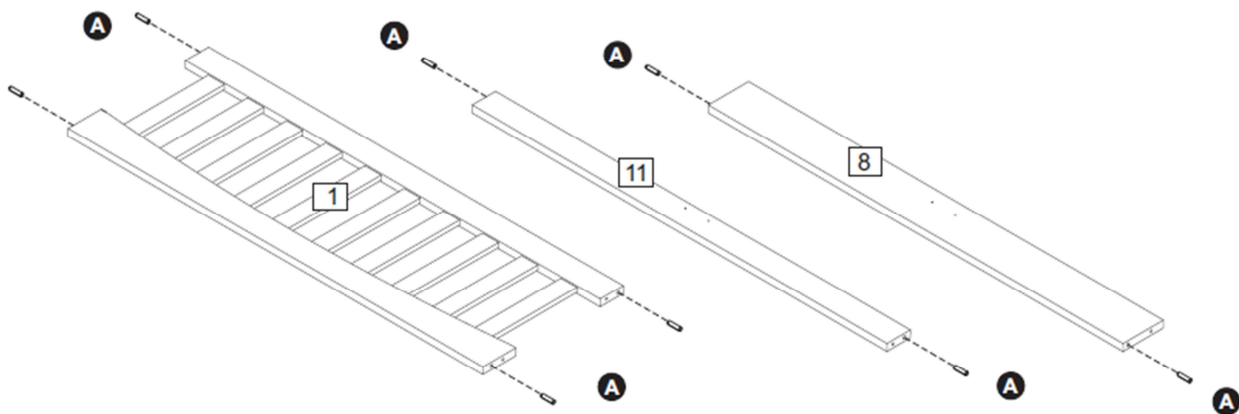


Parts List				Hardware List (found in Box 1)			
Part	Description	Box	Qty	Part	Description		Qty
1	Headend Panel	1	1	A	30 mm Wooden Dowel		8
2	Right Headend Post	2	1	B	40 mm Wooden Dowel		8
3	Left Headend Post	2	1	C	16 mm Screw		8
4	Side Rail	2	2	D	30 mm Screw		48
5	Slat	1	24	E	32 mm Bolt		2
6	Centre Rail	2	1	F	Nut		2
7	Support Leg	2	2	G	50 mm Bolt		2
8	Footend Panel	2	1	H	110 mm Bolt		8
9	Right Footend Post	1	1	J	70 mm Bolt		4
10	Left Footend Post	1	1	K	Elliptical Nut		4
11	Headend Rail	1	1	L	Metal Bracket		2
** You will need a screwdriver, small mallet and M11 spanner (not provided).				M	Allen Key		1
				N	Spacer		2

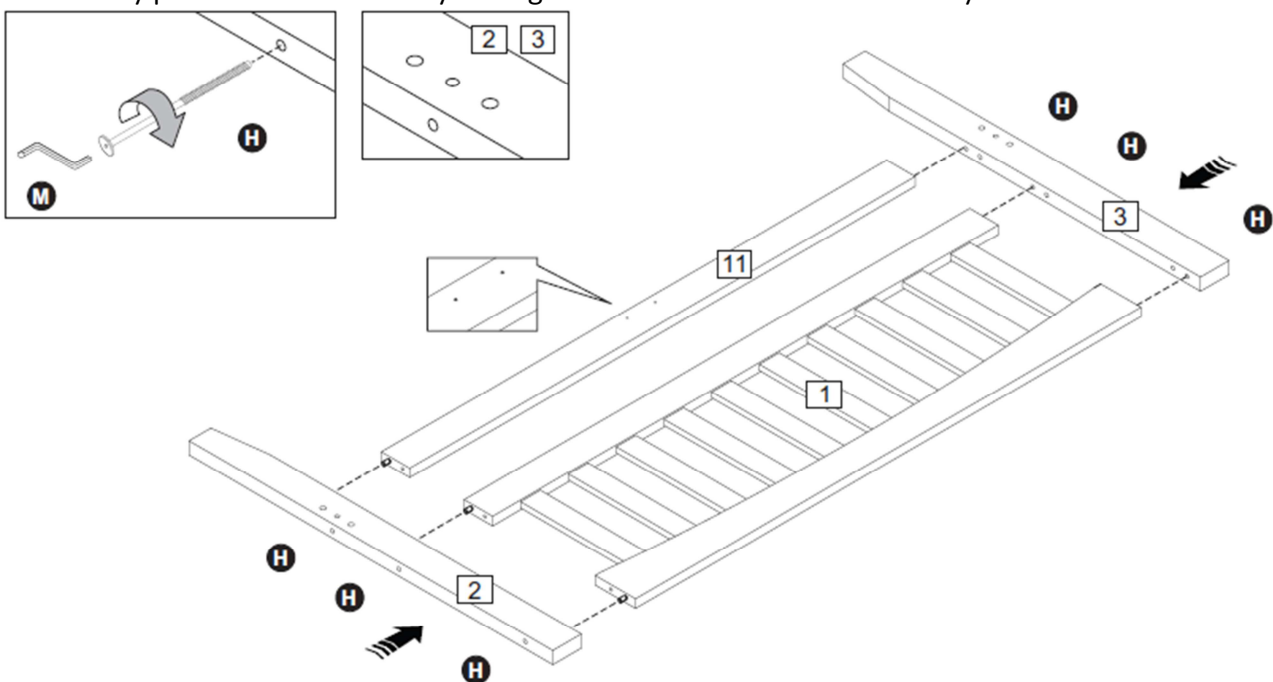
Step 1: Attach the support legs (7) to the centre rail (6) using hardware parts G and M. Insert hardware part B to the side rails (4) using a small mallet (not provided).  
 DO NOT use any power tools as this may damage the frame and will invalidate any claim.



Step 2: Insert hardware part A to the headend panel (1), footend panel (8) and headend rail (11) using a small mallet (not provided).  
 DO NOT use any power tools as this may damage the frame and will invalidate any claim.

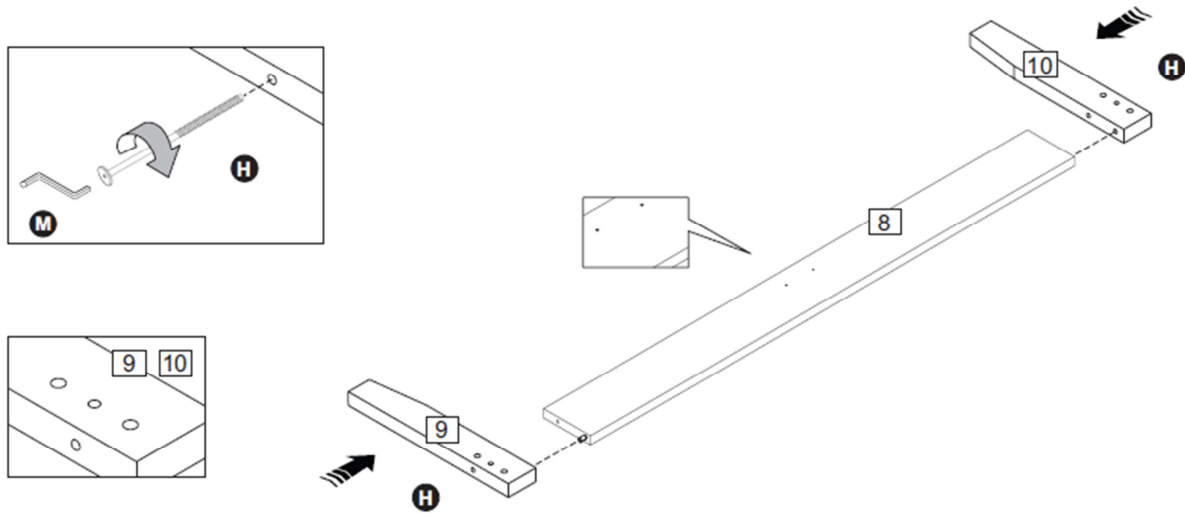


Step 3: Attach the right headend post (2) and left headend post (3) to the headend panel (1) and headend rail (11) using hardware parts H and M.  
 DO NOT use any power tools as this may damage the frame and will invalidate any claim.



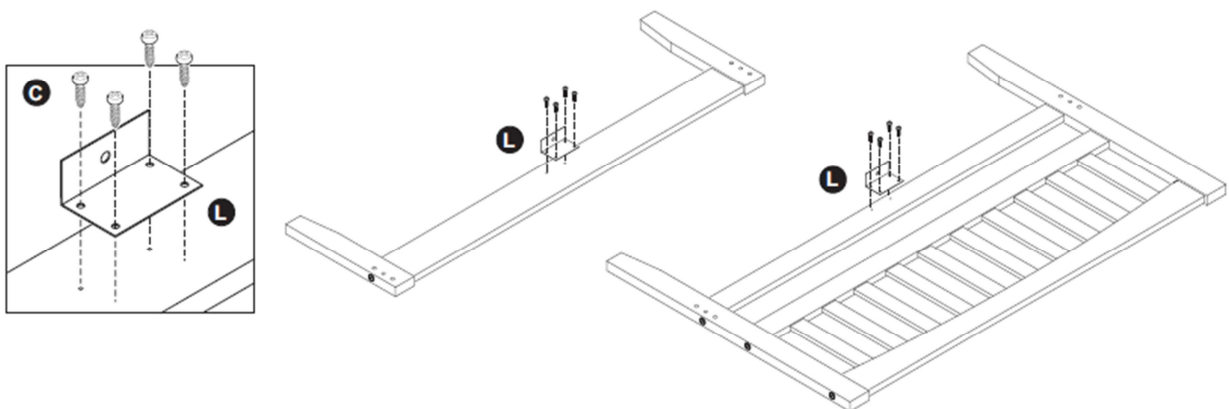
Step 4: Attach the right footend post (9) and left footend post (10) to the footend panel (8) using hardware parts H and M.

DO NOT use any power tools as this may damage the frame and will invalidate any claim.



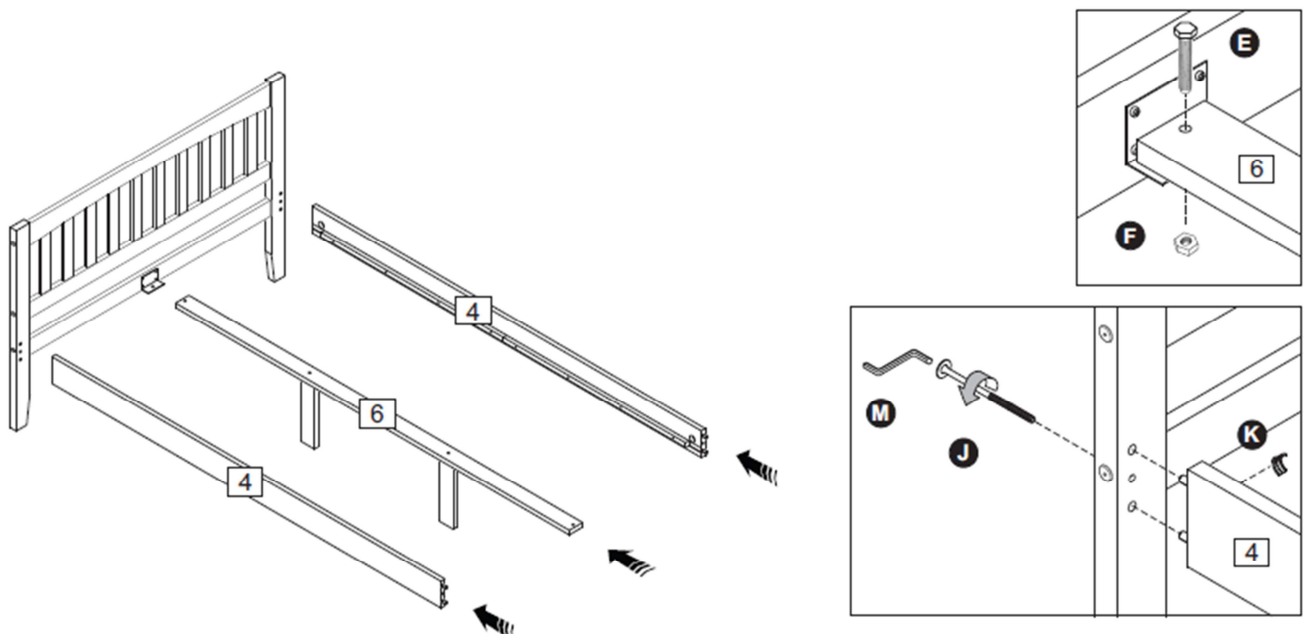
Step 5: Fix hardware part L to the headend rail (11) and footend panel (8) using hardware part C and a screwdriver (not provided).

DO NOT use any power tools as this may damage the frame and will invalidate any claim.



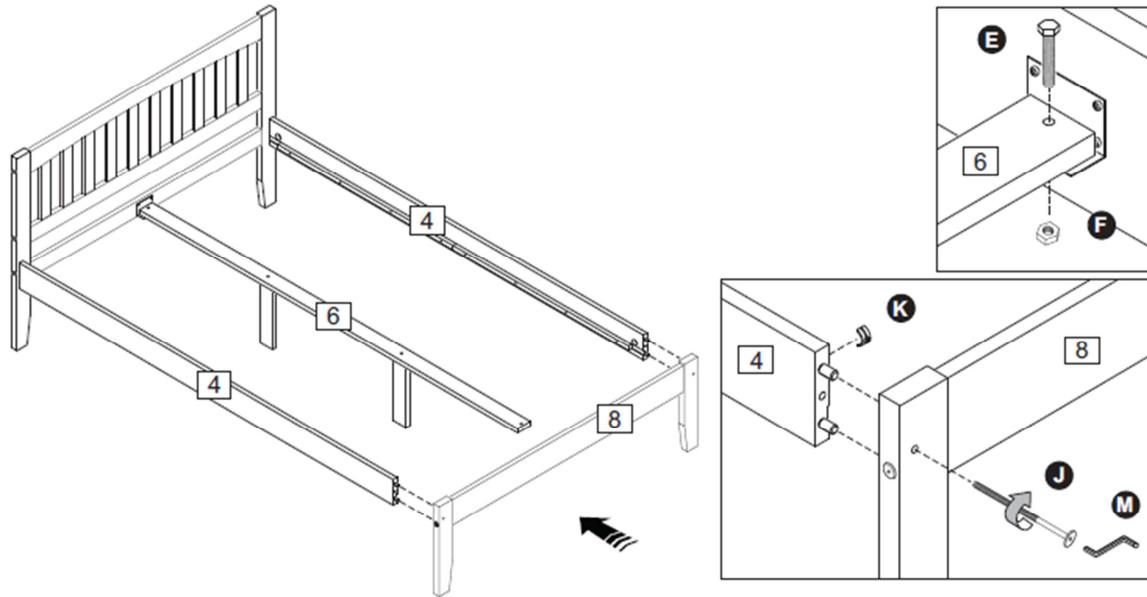
Step 6: Attach the side rails (4) using hardware part J, K and M. Fix the centre rail (6) using hardware parts E and F with an M11 spanner (not provided).

DO NOT use any power tools as this may damage the frame and will invalidate any claim.



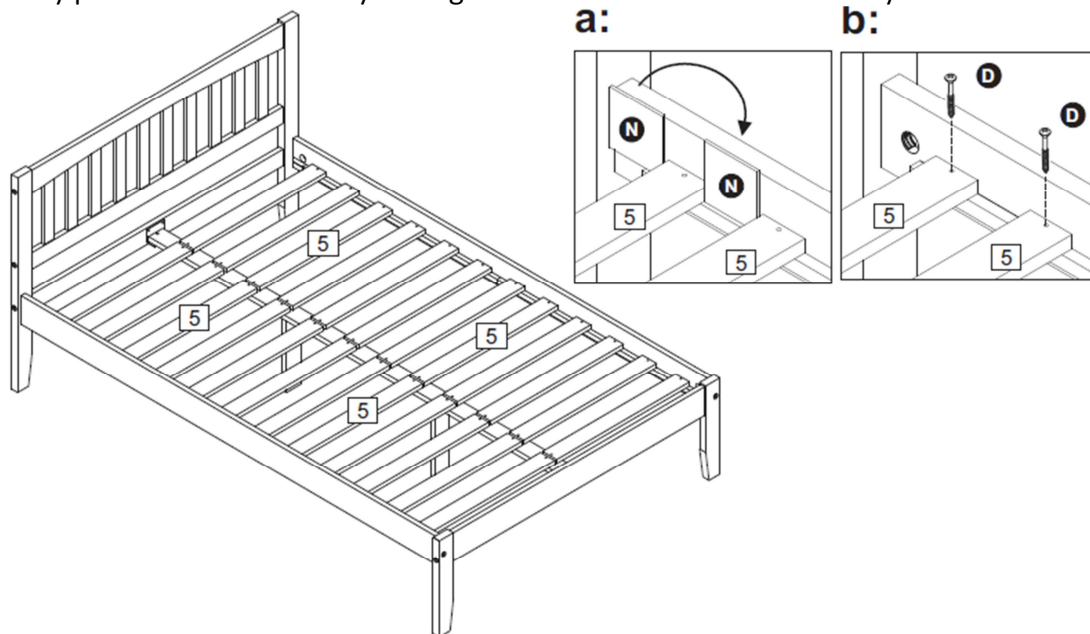
Step 7: Attach the footend using hardware parts J, K and M. Fix the centre rail (6) in place using hardware parts E and F with an M11 spanner (not provided).

DO NOT use any power tools as this may damage the frame and will invalidate any claim.



Step 8: Secure the slats (5) in position to the side rails (4) and centre rail (6) using hardware parts D and N with a screwdriver (not provided) making sure to start from the ends and work towards the middle.

DO NOT use any power tools as this may damage the frame and will invalidate any claim.



### Additional Information:

- For complete product information, images and dimension diagrams please visit the website [www.birlea.com](http://www.birlea.com)
- If you have any issues with your item please contact the retailer directly you purchased it from who will be able to resolve any issues with Birlea.
- Why don't you send us photos of your assembled furniture to [info@birlea.com](mailto:info@birlea.com) to be shared in our #birleahome feature on Instagram.