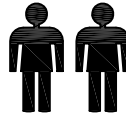


# DESCRIPTION: TITAN MEDIA TV BED

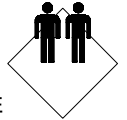
**1 HOURS**

APPROXIMATE ASSEMBLY TIME



2 PERSON ASSEMBLY

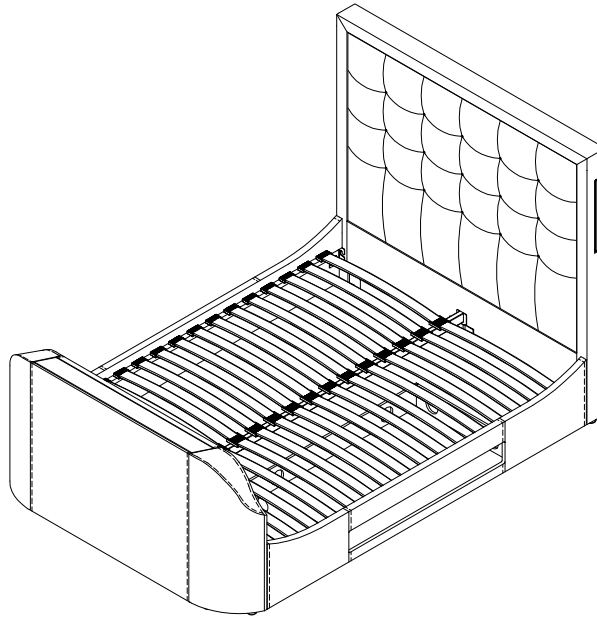
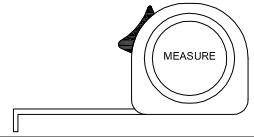
FLOOR AREA  
2.0m X 2.7m



REQUIRED ASSEMBLY SPACE

## ASSEMBLY INSTRUCTIONS

REQUIRED ASSEMBLY TOOLS



### Important Information

- We suggest you spend a short time reading through this leaflet and then follow the simple step-by-step instructions.
- Carefully check that you have all the parts before beginning assembly.
- Keep fittings out of children's reach and keep children well away from construction area.
- We suggest you retain these instructions for future reference.

### Product Information

- TV bed.
- Upholstered Bed. Conforms to EN 1725 & BS 5852.
- TV Lift system has a maximum load capacity of 80lbs ( 37kg )
- Compatible with slimline LED televisions with a screen size of 20" to 42".
- Maximum T.V dimensions D75mm x W970mm x H580mm (WITHOUT STAND)

### Care Instructions

- Avoid exposing the furniture to excessive heat or direct sunlight as this can cause cracking and deterioration of the color.
- Periodically check & re-tighten any fastener.
- Periodically dust lightly with a clean soft cloth.
- Do not use silicone based furniture polish.
- Any spills should be removed immediately with a soft damp cloth.
- TAKE CARE WHEN MOVING THE FURNITURE AND NEVER DRAG THE PIECES ACROSS THE FLOOR, AS THIS WILL CAUSE DAMAGE TO THE JOINTS.



Comforms To : CE\_LIFT\_UK For 3001 TV Lift Standard in UK (LVD + EMC):

-EN55014-1; EN61000-3-2; EN 61000-3-3; EN55014-2; EN62233; EN60335-1

CE\_REMOTE\_UK For Wireless Remote Standard in UK (R&TTE):

-EN300 220-1; EN300 220-2; EN 60950-1; ENEN301489-1; EN301489-3; EN62479



Comforms To : C-TICK\_LIFT\_AU For 3001 TV Lift Standard in AU :

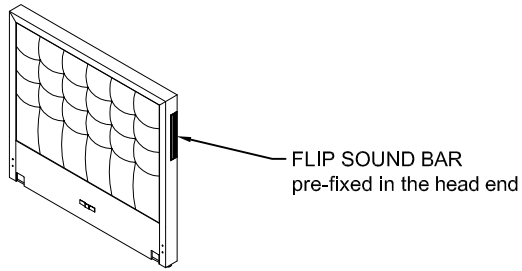
-AS/NZS CISPR 14.1:2013

C-TICK\_REMOTE\_AU For Wireless Remote Standard in AU:

-AS/NZS 4268:2012

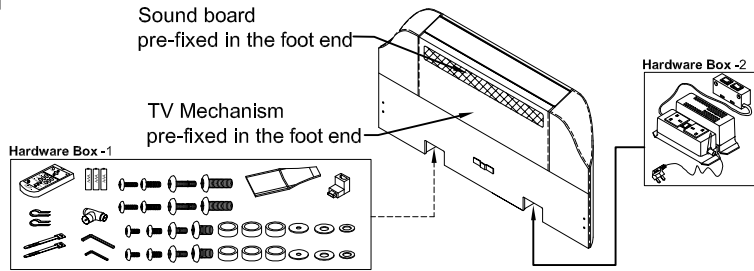
## Components of Carton 1

(A) Headboard x 1



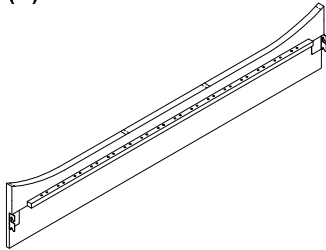
## Components of Carton 2

(B) Footboard x 1

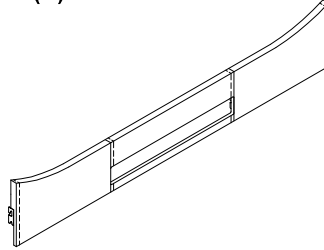


## Components of Carton 3

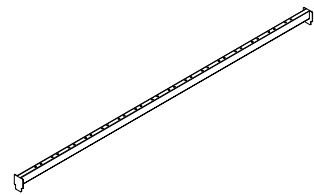
(C) Side Rail-1 x 1



(D) Side Rail-2 x 1

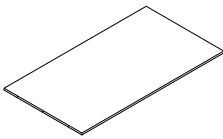


(E) Center Rail x 1

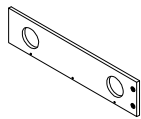


## Components of Carton 4

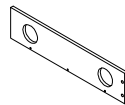
(F) DVD/Media  
Compartment  
Base Panel x 1



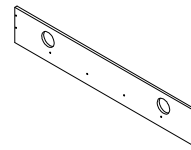
(G) DVD/Media  
Compartment  
Side Panel (Left) x 1



(H) DVD/Media  
Compartment  
Side Panel (Right) x 1



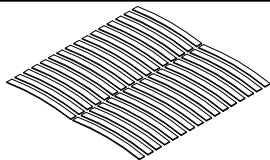
(I) DVD/Media  
Compartment  
Rear Panel x 1



Hardware  
Bag

## Components of Carton 5

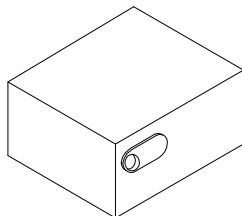
(J) Slats  
x 32



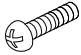
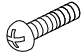


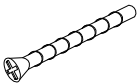

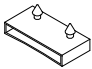

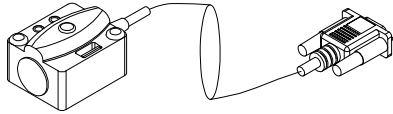
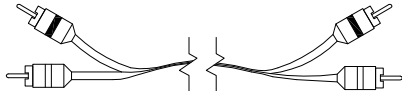
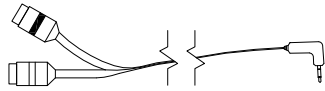
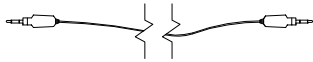

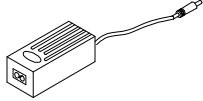
Hardware  
Bag

## Components of Carton 6

(K) Woofer/ AMP  
x 1



Hardware  
Bag

Hardware List (in Carton 1)		Hardware List (in Carton 2)	
(L) M8 x 25mm x 4 (Pre-Installed)  (Carton 1)		(L) M8 x 25mm x 4 (Pre-Installed)  (Carton 2)	(M) M4 x 12mm x 3 (Pre-Installed)  (Carton 2)
<b>Hardware List (in Carton 3)</b>			
(N) Screw Driver x 1  (Carton 3)			
<b>Hardware List (in Carton 4)</b>			
(O) M5 x 35mm x 14  (Carton 4)	(P) M8 x 16mm x 4  (Carton 4)		
<b>Hardware List (in Carton 5)</b>			
(Q) End Cap x 32  (Carton 5)	(R) Middle Cap x 16  (Carton 5)		
<b>Hardware List (in Carton 6)</b>			
(S) Hub x 1  (Carton 6)			
(T) RCA Audio Cable 4.8 meters x 1  (Carton 6)			
(U) Female RCA TO 3.5mm JACK SPLITTER Cable x 1  (Carton 6)			
(V) 3.5mm JACK AUX Cable x 1  (Carton 6)			
(W) Power Cable x 1  (Carton 6)			
(X) AC ADAPTER x 1  (Carton 6)			

## **Tips before you start!**

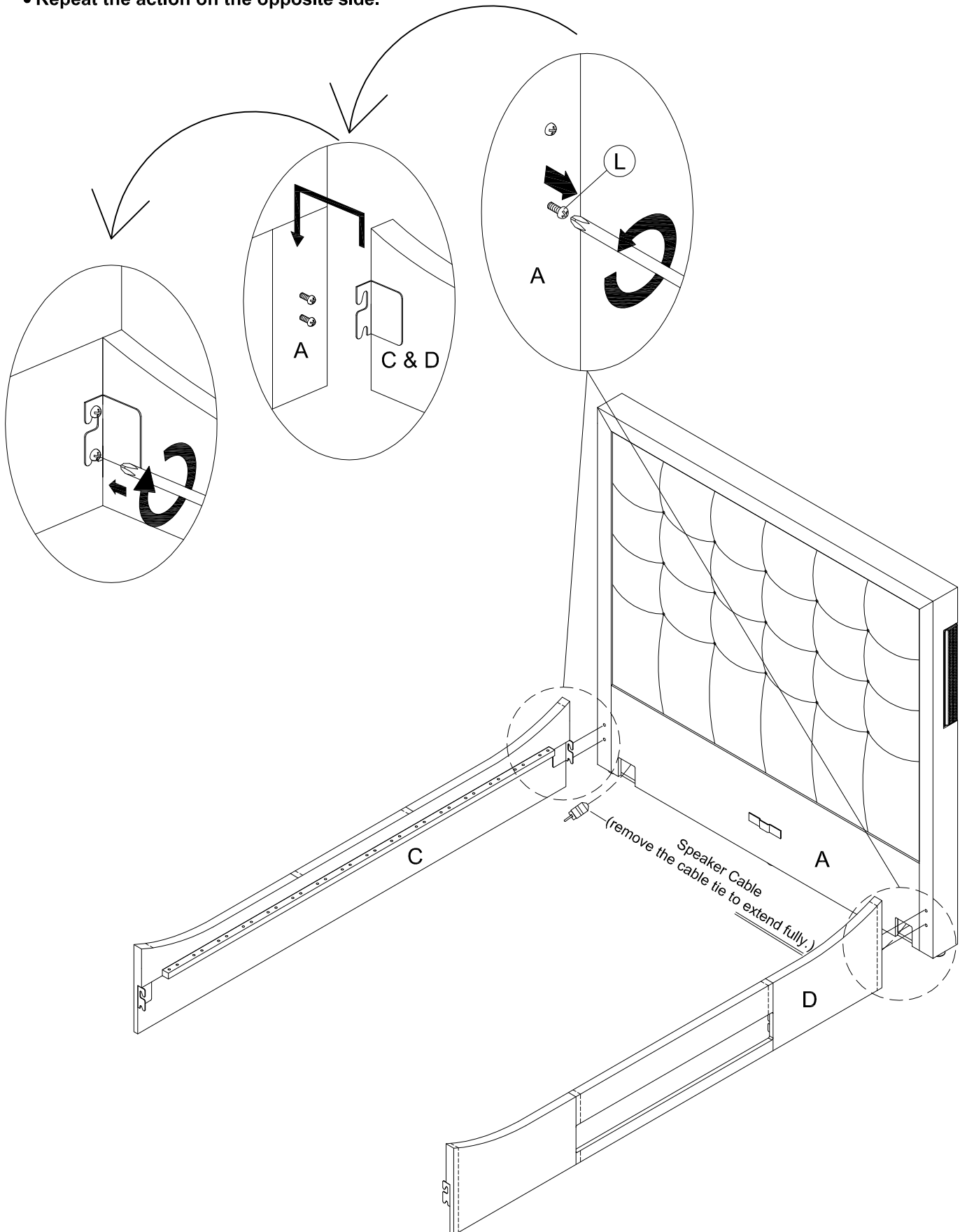
1. Please check that all parts are present before you start the assembly of your furniture.
2. For ease and speed of assembly, we recommend that before you commence each step of the assembly, that you identify all the parts required for that step.
3. For larger items, please ensure that you have sufficient space and people (as indicated on page 1) to assemble your product safely. (Minimum Two Persons)
4. We recommend where possible, all items are assembled near to the area where they will be placed in use, to avoid moving the product unnecessarily once assembled.
5. Please ensure that your bed is placed on a level floor area. (Avoid setting up and installing your bed on uneven floor surface.
6. For the protection of your furniture, we recommend that the product is placed on a protected surface during assembly to prevent any damage.
7. During assembly please take care not to over-tighten any fittings, as this may damage the product.

## **Care and Maintenance of your Furniture**

- Please periodically check all fittings and re-tighten as necessary.
- To clean your item, please use a soft damp cloth and wipe clean.
- Please do not jump on your furniture.
- Never allow any kind of liquid to remain on your furniture. This can cause finishes to de-laminate. Take care when spraying Perfume and deodorants etc as the vapour can settle on the fabric surface and cause damage.
- Periodically check the condition of your bed slats and plastic locating caps to ensure they are in good condition and have not become loose.
- It is important to Never Drag your bed as this can cause damage to the joints and the fixings. This may invalidate your guarantee.
- The bed should always be lifted into position if moved for cleaning.

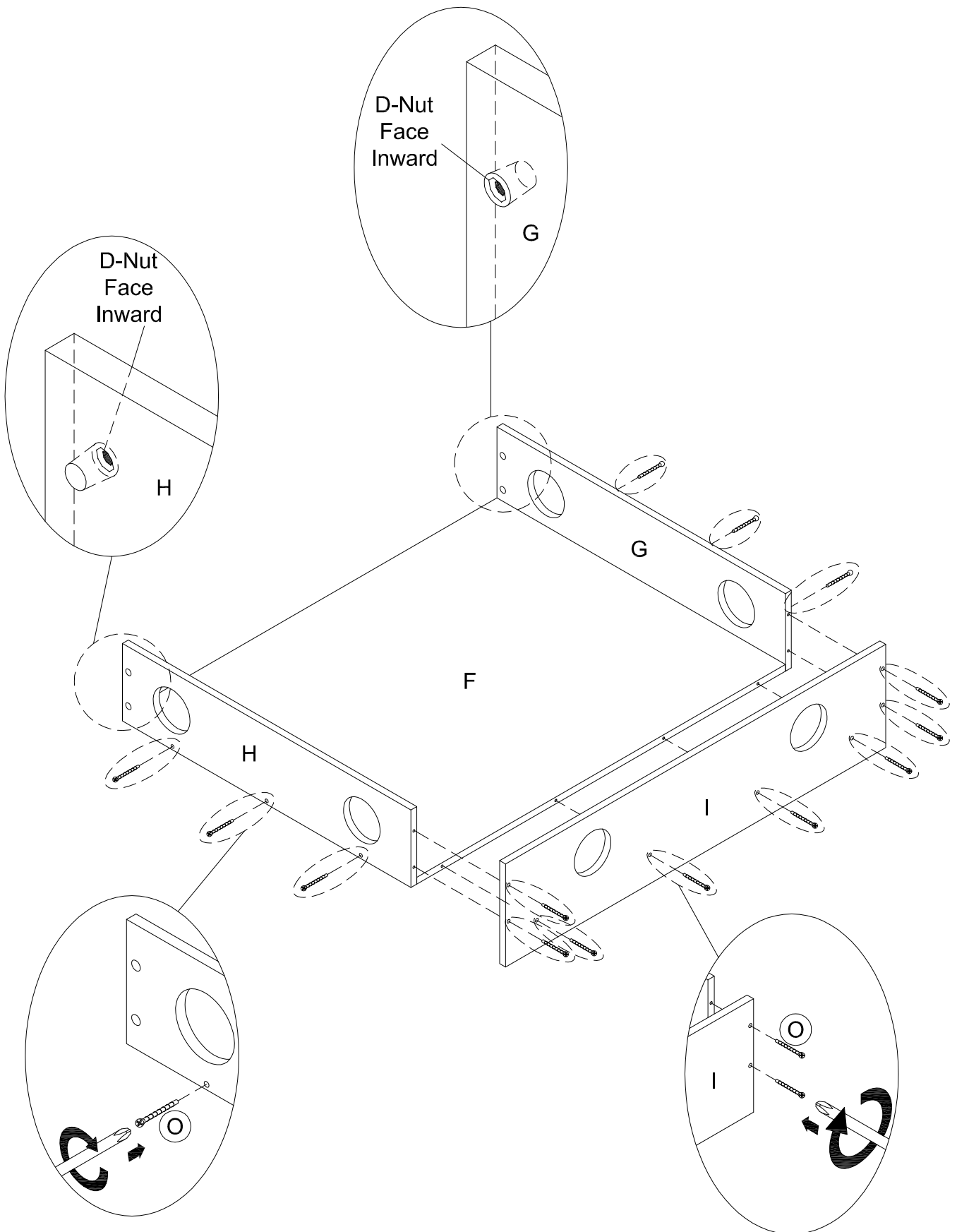
## Step 1

- Before assembly please decide which side you require the "DVD / Media Compartment". Part 'D' side rail with opening will need to be placed at that side.
- Loosen the bolts located in the head end. (Note: only loosen the bolts Do NOT remove them.)
- Hook the side rail over the bolts as shown.
- Repeat the action on the opposite side.



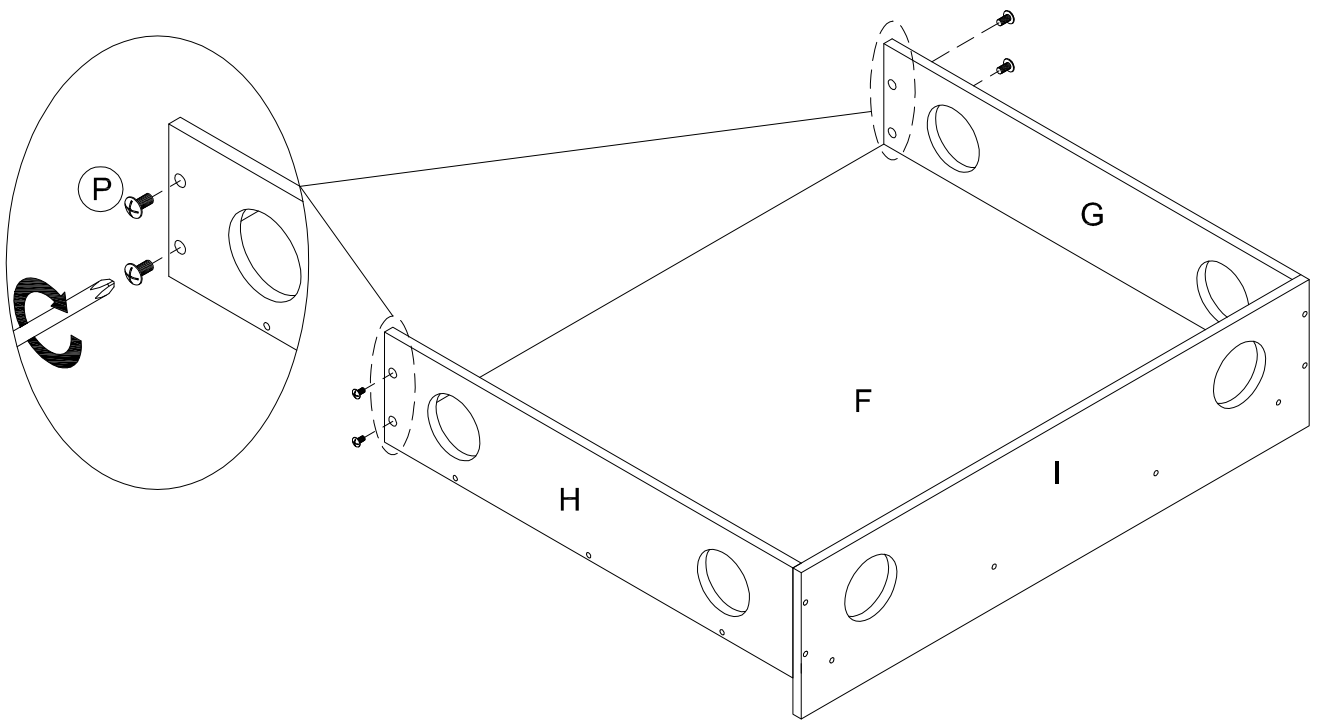
## Step 2

- Attach "DVD / Media Compartment" side and back panels to "DVD / Media Compartment" base panel as shown.



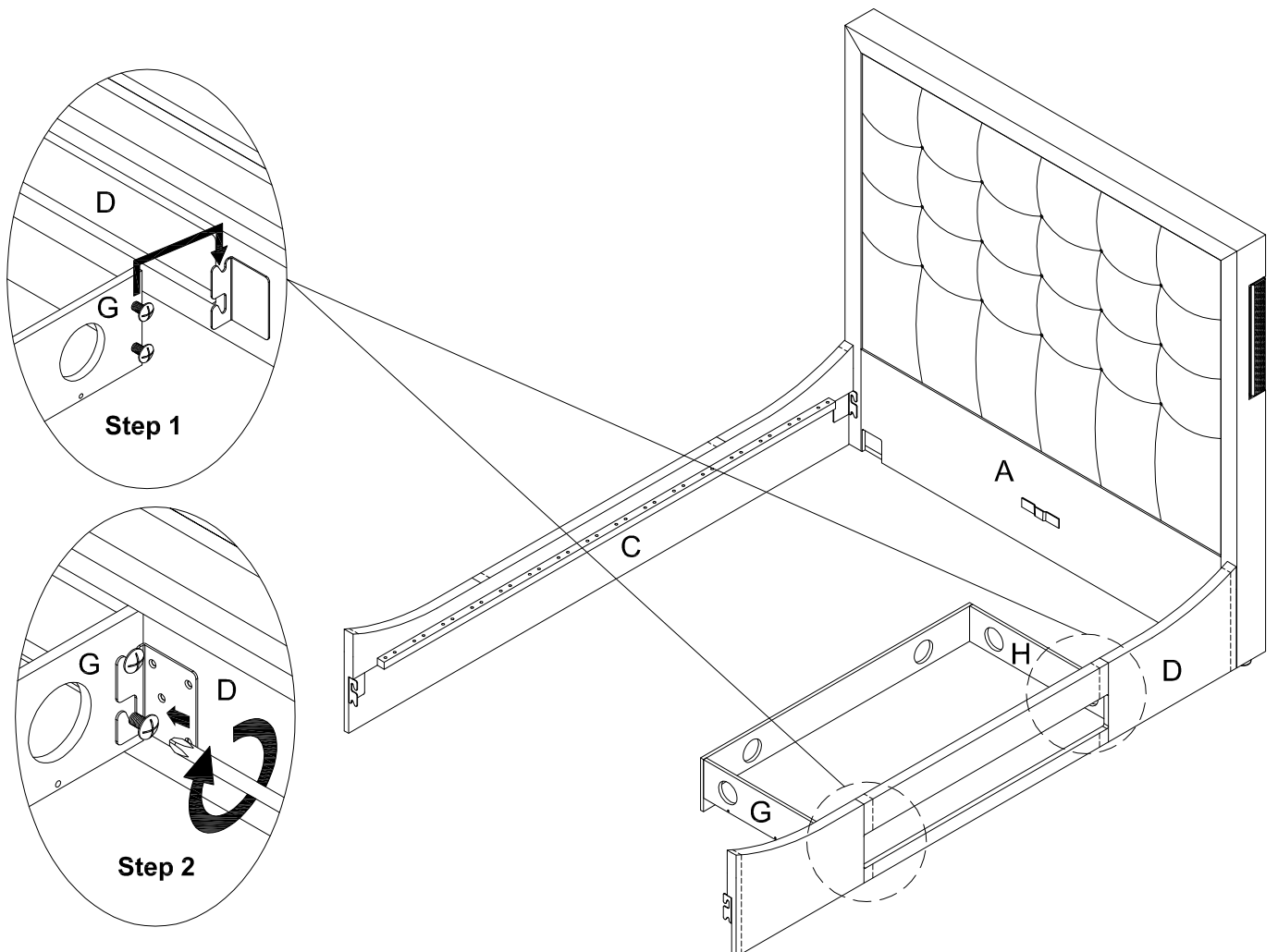
### Step 3

- Attach the bolts to both side of "DVD / Media Compartment" side panels as shown.



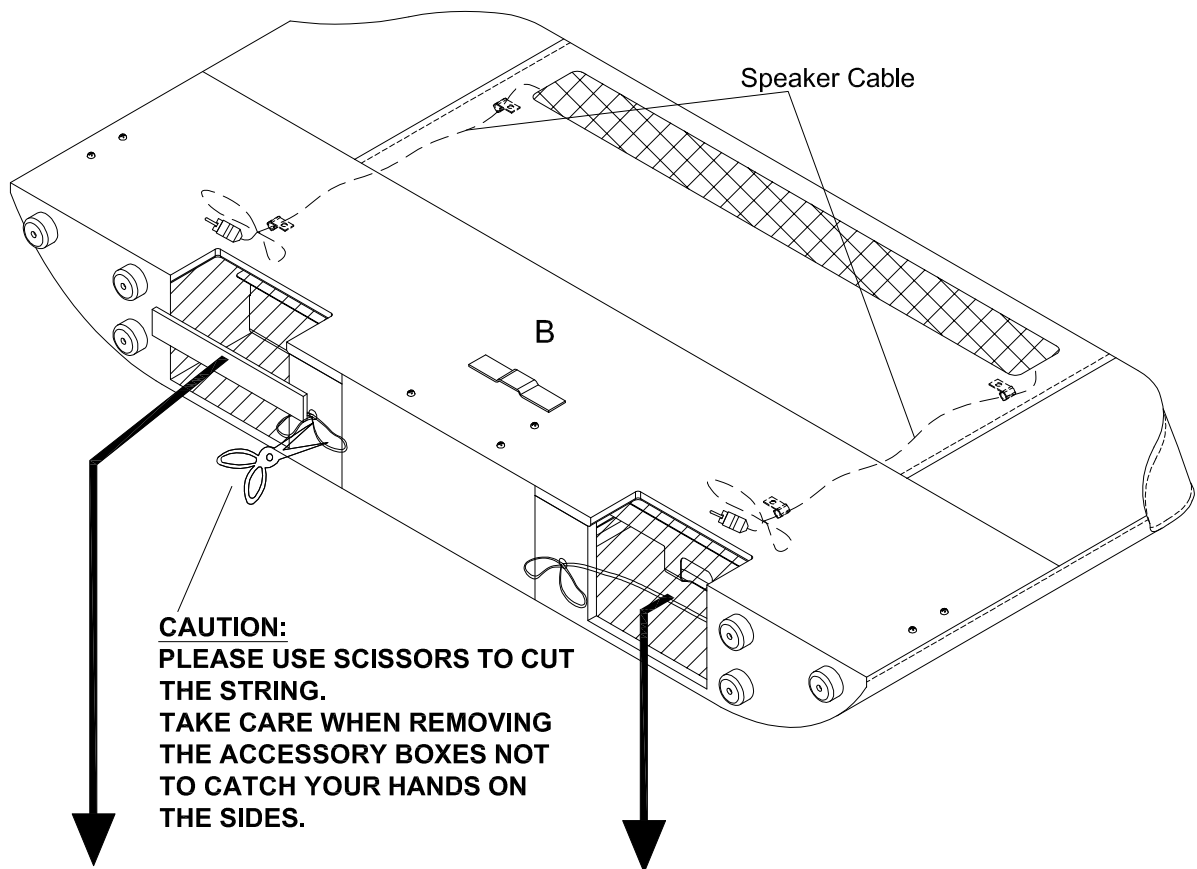
### Step 4

- Attach the "DVD / Media Compartment" to the side rail as shown.

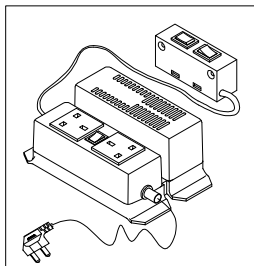


## Step 5

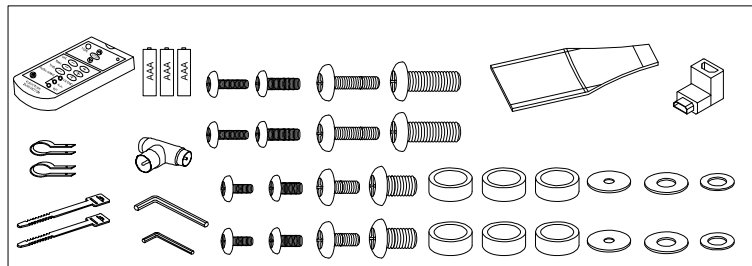
- Carefully remove the footboard from carton 2, remove the Control Box, Remote Control, Hardware and all extra transportation packaging from inside.
- To do this you will need to gently lay the foot end on it's back. Before doing so please ensure the area is completely free of anything that may cause damage or press into the fabric. Place a protective cover on the floor to avoid possible damage.
- The controls and hardware are held in place by string please carefully cut these and remove.



Hardware Box -2



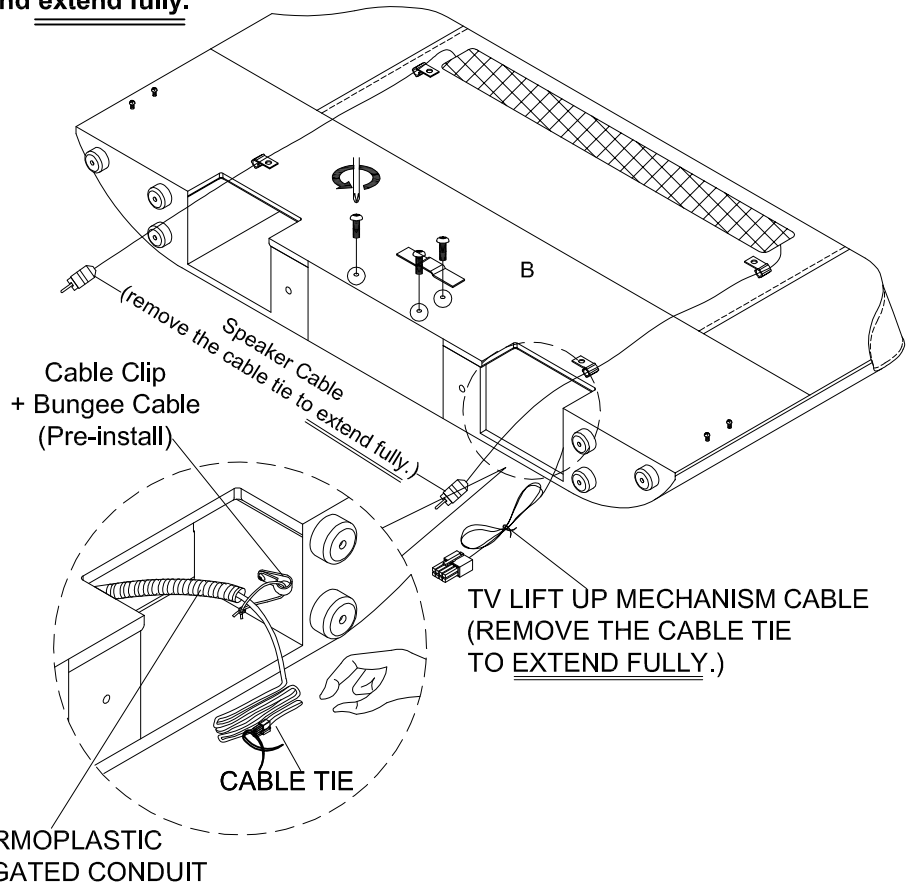
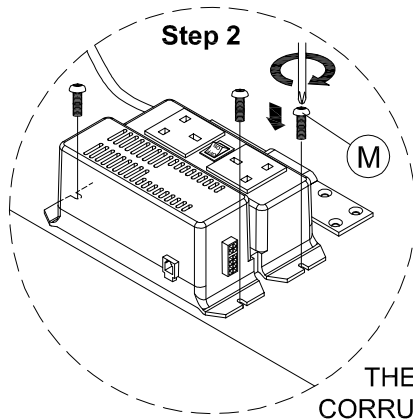
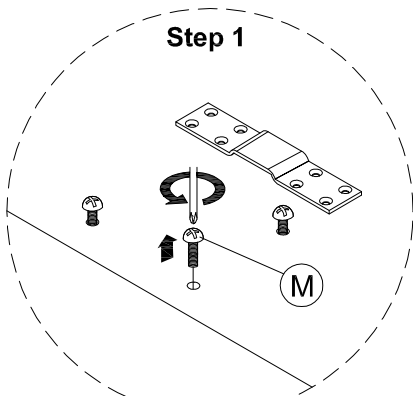
Hardware Box -1





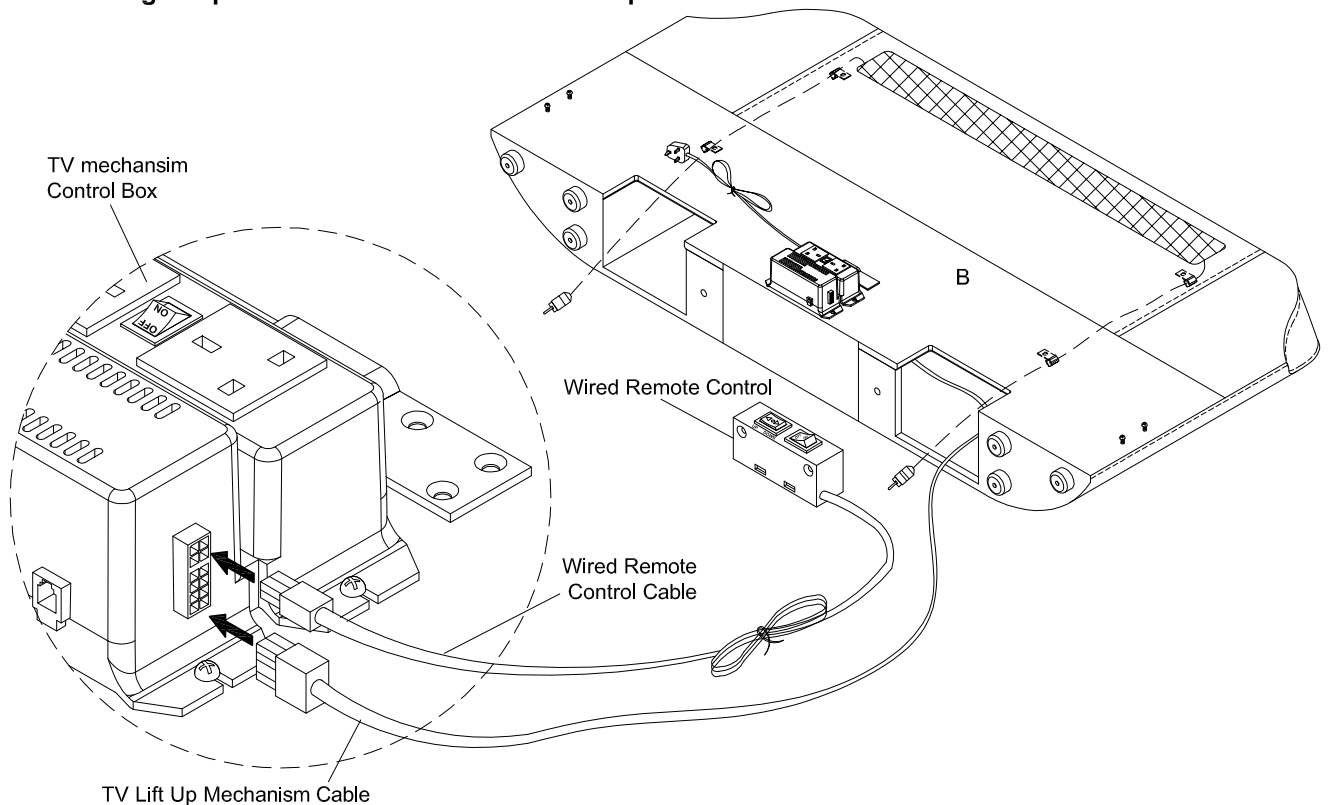
## Step 6

- Remove the control box attachment bolts from middle of foot end.
- Attach the control box using the bolts.
- Insert your hand into the right hand cavity and locate the lift mechanism power cable. Remove the cable tie and extend fully.



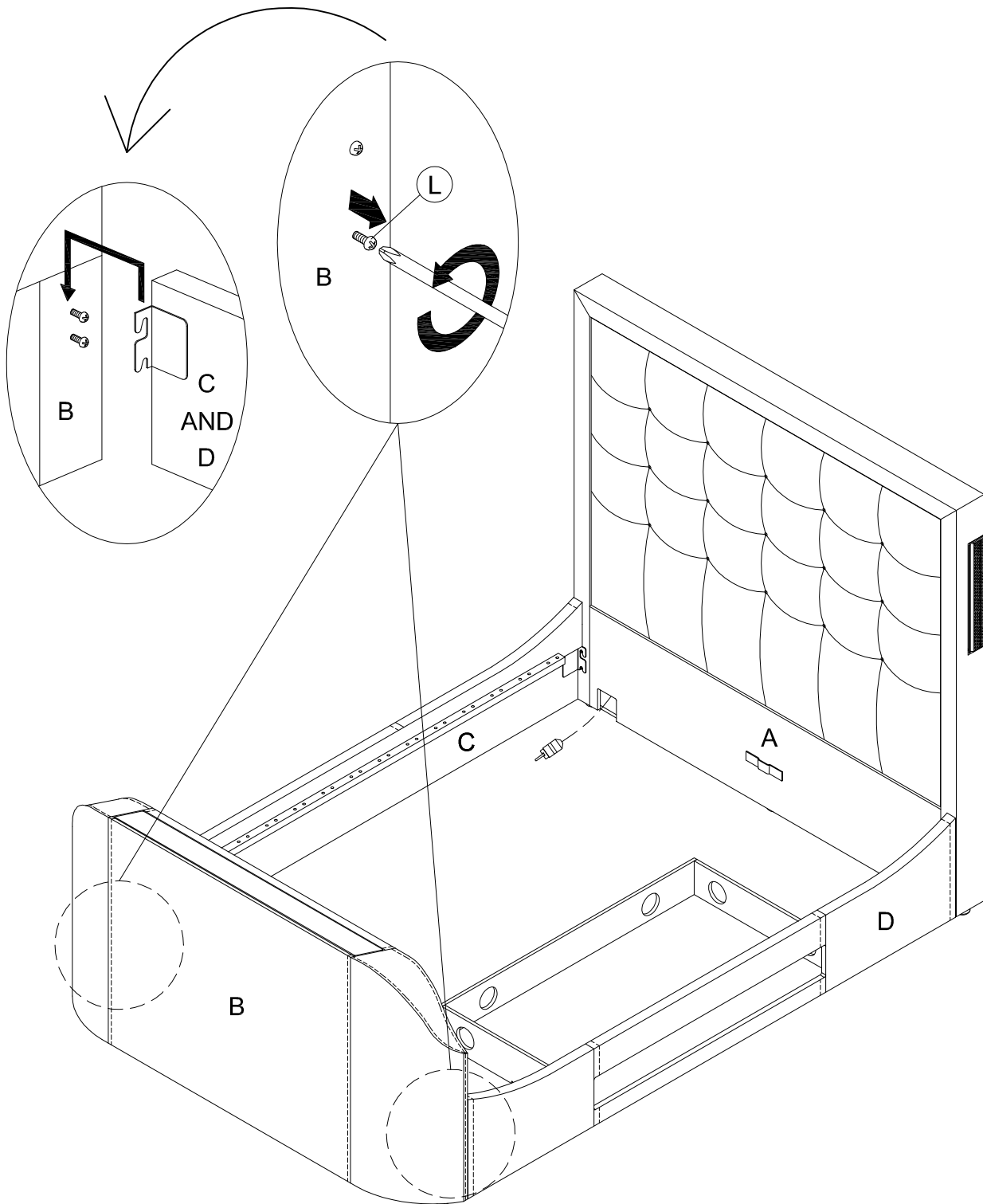
## Step 7

- Connect mechanism power cable and Wired Remote Control cable to the control box, ensuring the power on/off switch is in " OFF " position.



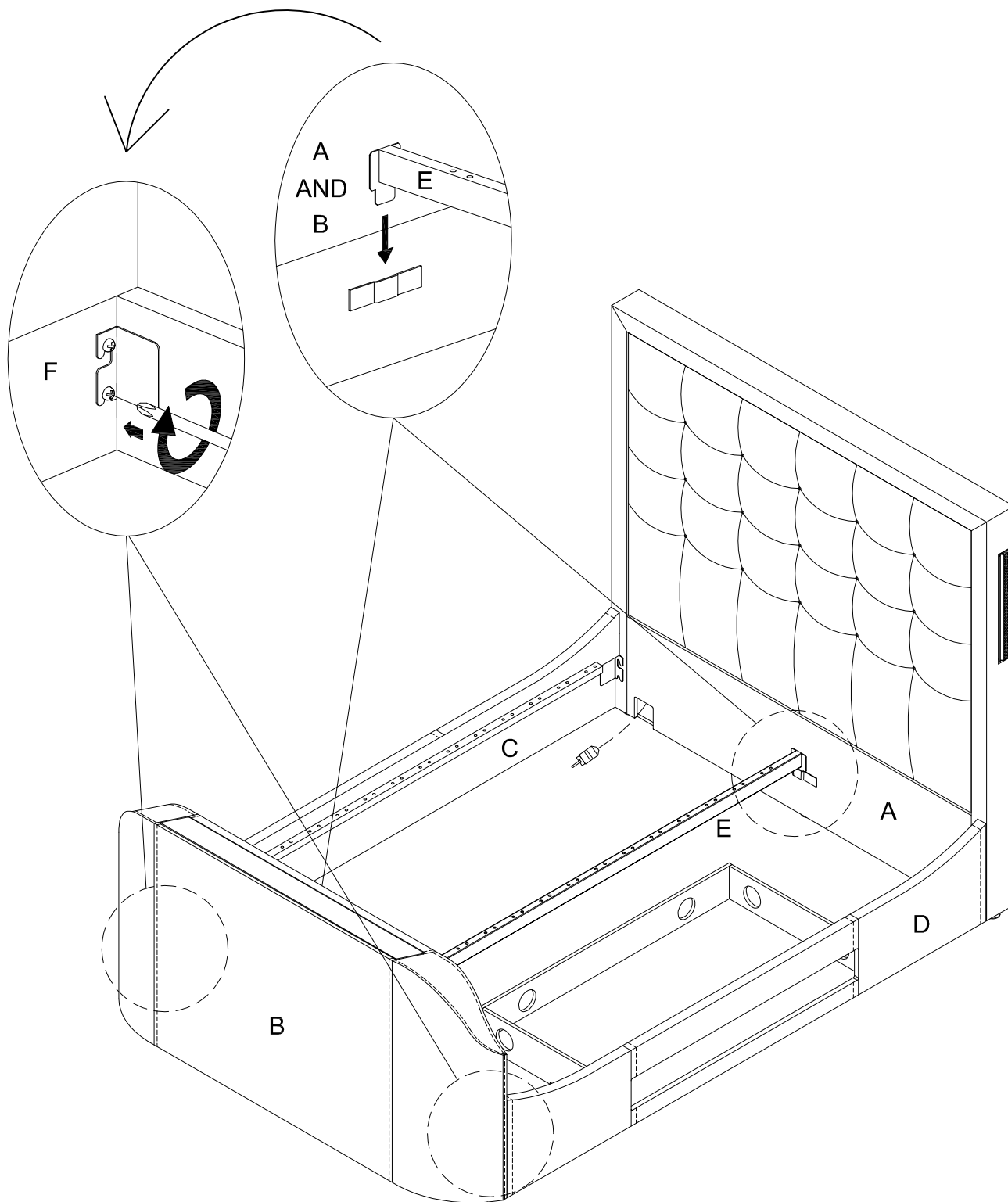
## Step 8

- Carefully lift the foot end back to it's upright position.
- Loosen the bolts located in the foot end.
- Please note these should only be loosened and **NOT** removed.
- Hook the side rail brackets over the bolts on both sides.



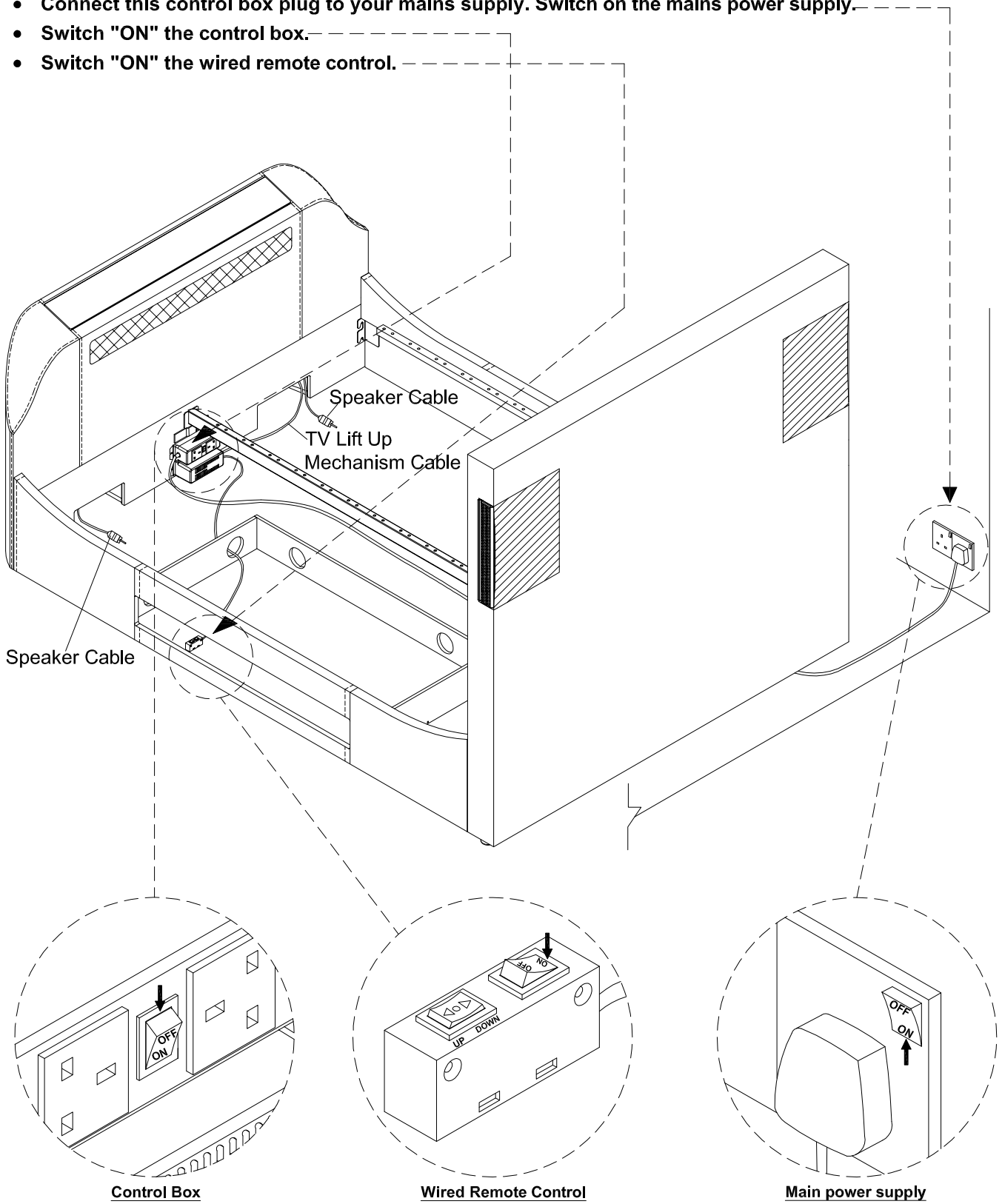
## Step 9

- Carefully slot the centre rail into the brackets on the head and foot end. Be very careful not to catch the head and foot ends with the Centre rail tongue.
- Fully tighten all screws on the head and foot ends.



## Step 10

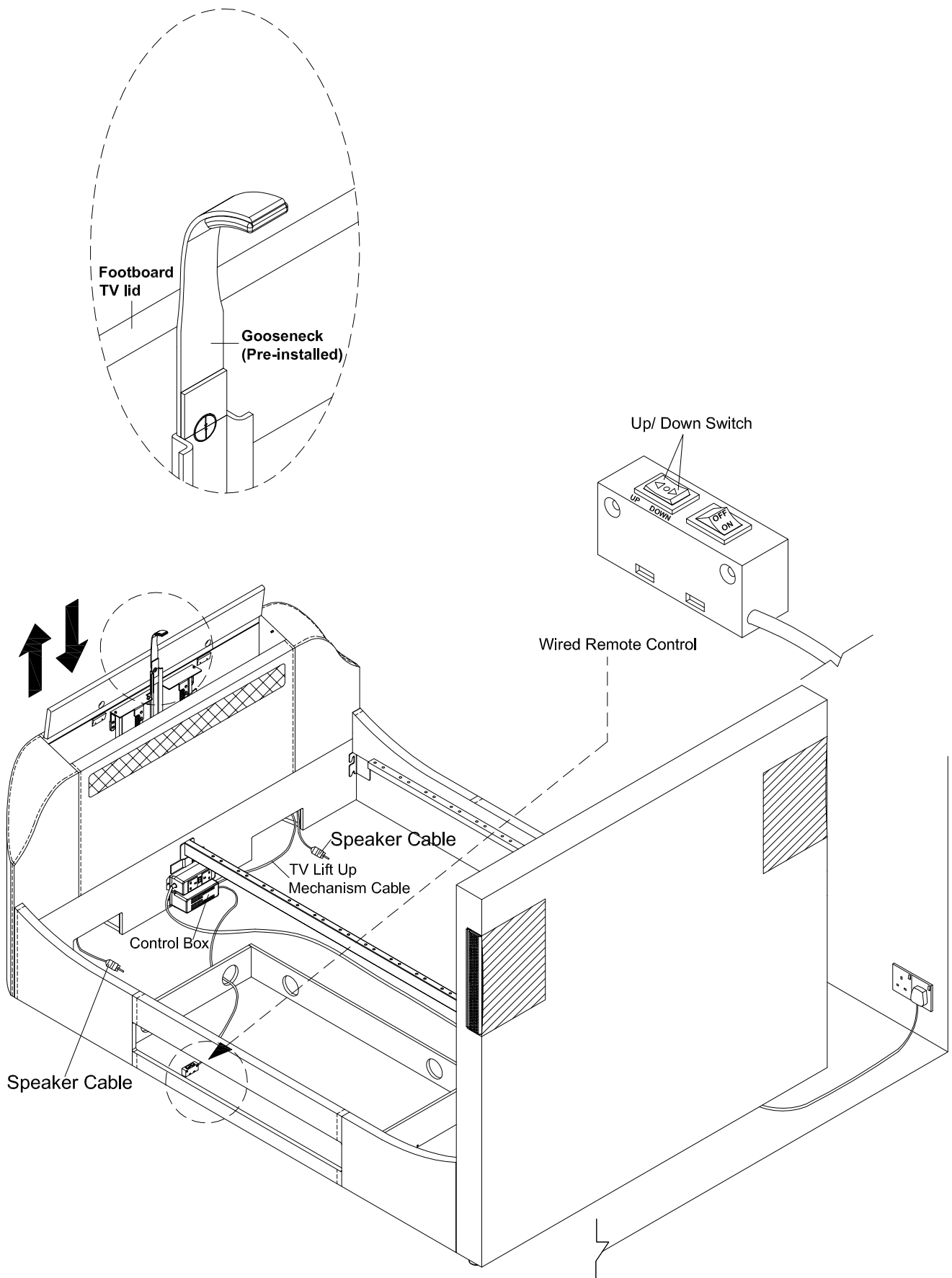
- Remove the cable tie from the control box power supply plug.
- Remove the cable tie from the wired remote control as well.
- All cables should be pulled through to its maximum to ensure snagging on the mechanism.
- Connect this control box plug to your mains supply. Switch on the mains power supply.
- Switch "ON" the control box.
- Switch "ON" the wired remote control.



\* Please ensure everything is switched "ON".

## Step 11

- Press the "UP" switch on the wired remote control, which will then lift up the TV mechanism until the footboard TV lid open up to its full extent. Press the "DOWN" switch on the wired remote control to lower down the TV mechanism.
- Continue to test the TV mechanism "UP" and "DOWN" several times.



## Step 12

- Adjust the TV tray to suit the height of your TV(without stand). Please follow step below

12.1 : Make a note of the height (without stand!) of your television.

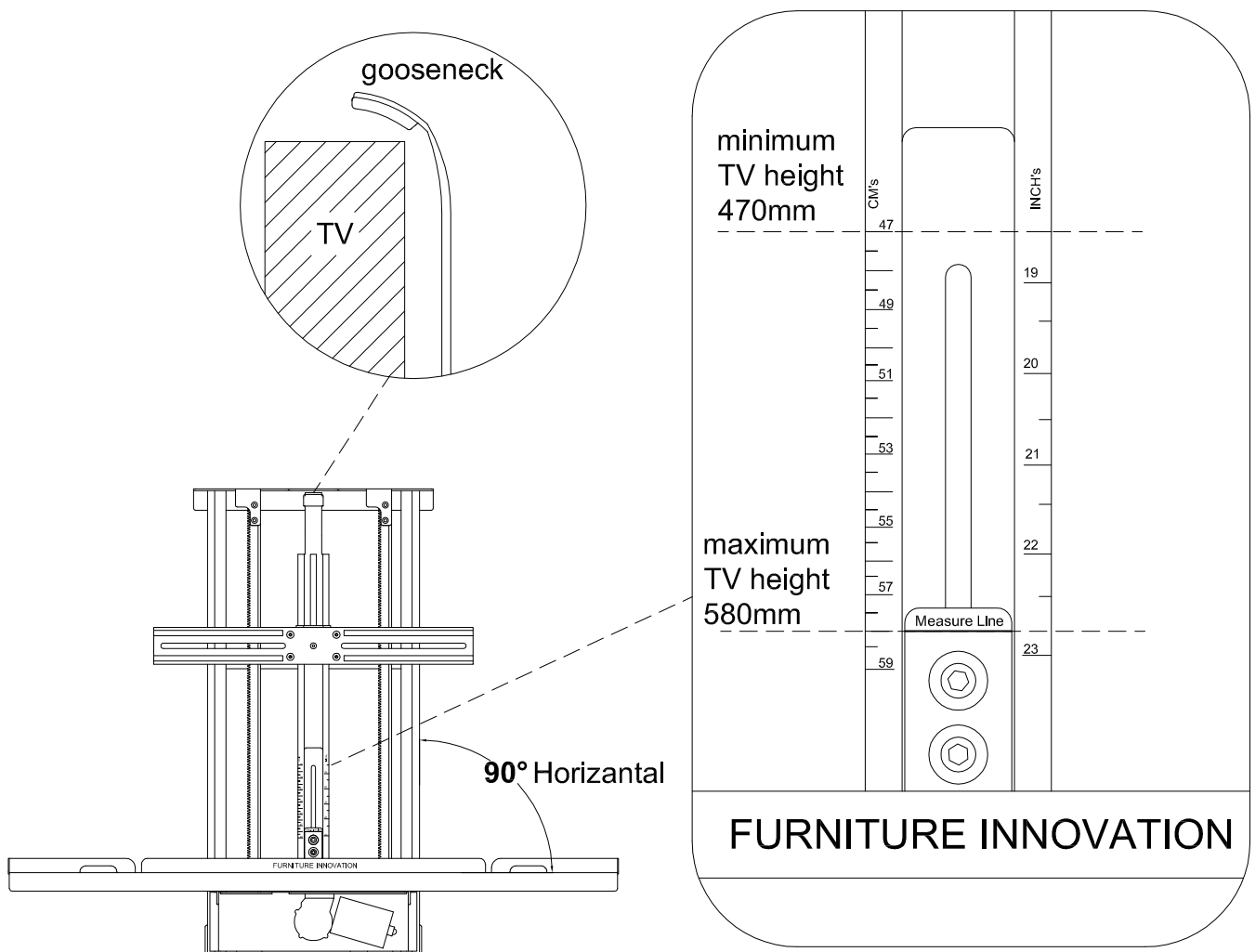
12.2 : Use the Allen key (34) to slightly loosen the bolts. (note: only loosen screws to finger loose, do not remove the bolts on the central mechanism column.

12.3 : Use the Wired remote control to lower the mechanism to a position that will allow you to raise the tray.

12.4 : Using both hands, carefully lift the tray - while using the measure line to match the noted height of your TV.

12.5 : When the TV is mounted it should sit neatly just underneath the Gooseneck. When tightening the TV platform make sure to keep the TV platform horizontal.

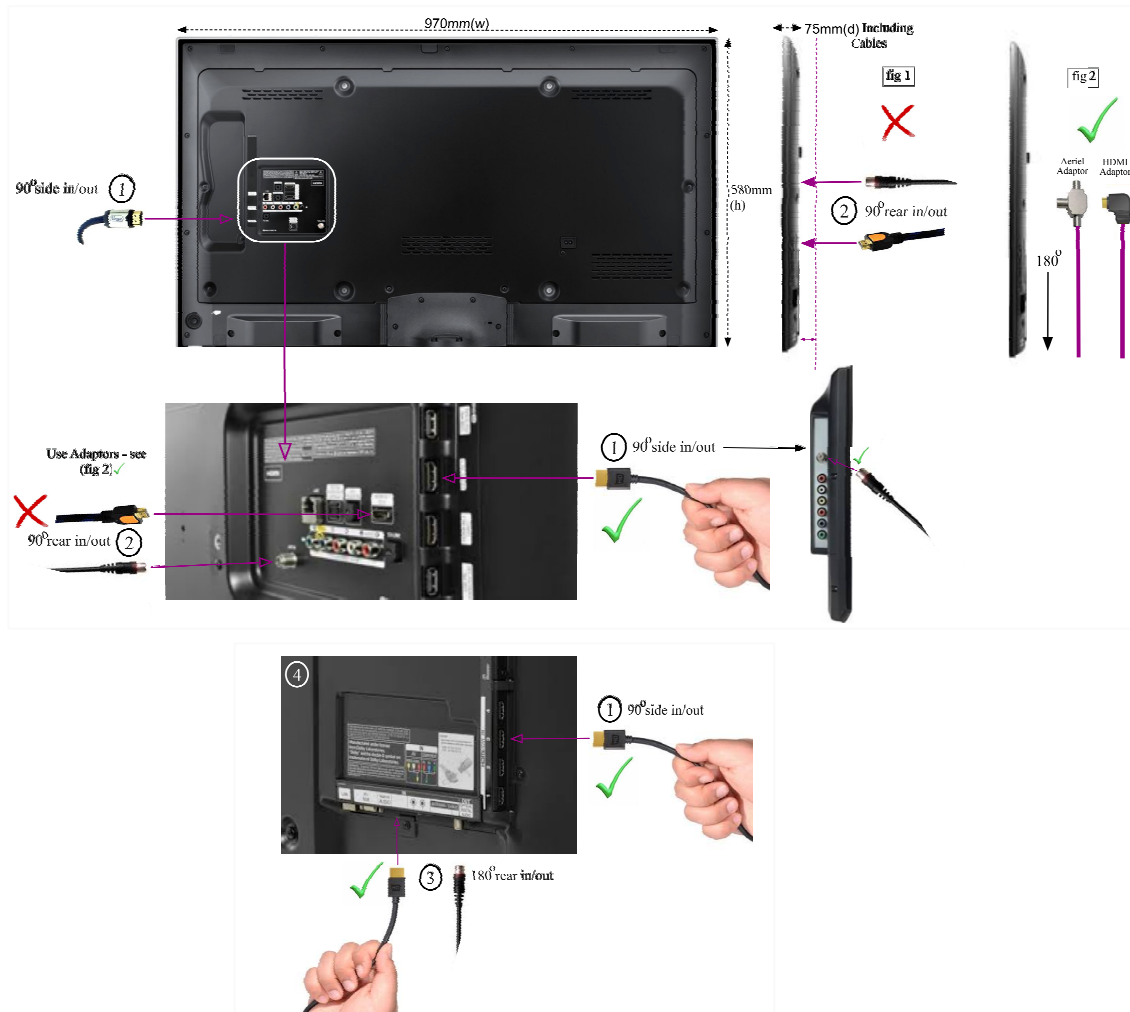
**Note: The minimum height of the TV Tray is 470mm which accommodates any of the smaller TV heights (without stand) below 470mm.**



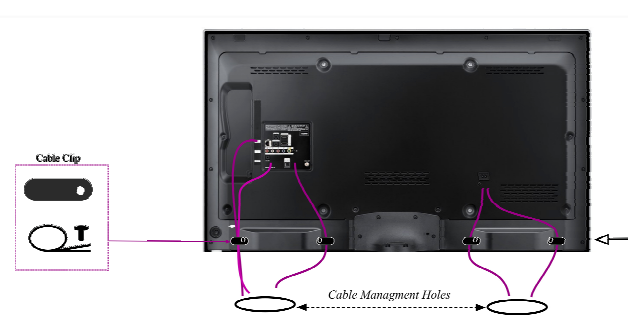
## Step 13

- You are now ready to install the TV. At this point it is important to take careful note of the TV compatibility guidelines below. First you will need to ensure your TV is no wider than 970mm, no taller than 580mm and no deeper (thickness at its deepest point) than 75mm. Please note in the event you do not have a tape measure Your TV manual usually notes its TV dimensions(without stand).
- Below are four typical examples of most cable connection direction scenarios on Slimline LED TV's
  - 90° angled 'side' (cable in/out) connections (Preferable)
  - 90° angled 'rear' (cable in/out) connections (Less Preferable - Use Adaptors)
  - 180° angled 'rear' (cable in/out) connections (Preferable)
  - A mix of 1 & 3 (Best Case Scenarios)

Please note: The below examples show HDMI cables and TV signal aerial cables. these cables are typical cables that connect to the rear of a TV, however alternative connection cables may also apply. If in doubt please consult a professional TV instillation company.



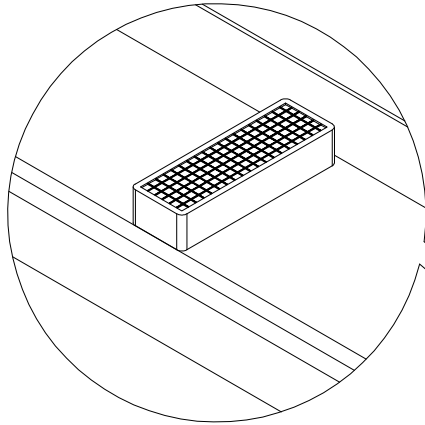
In the event the televisions cable in/out direction facility relates to Example No 2: 90° angled 'rear' (cable in/out) connections (*Less Preferable*) and you are using a HDMI cable & or TV signal aerial - Please use the provided HDMI cable 90° out adaptor and/or the TV signal aerial T Bar connector - these adaptors are designed to reduce the extended cable distance between the rear of the TV and the TV lift mechanism thus allowing the TV to raise and lower, while avoiding cable collision within the bed footboard!



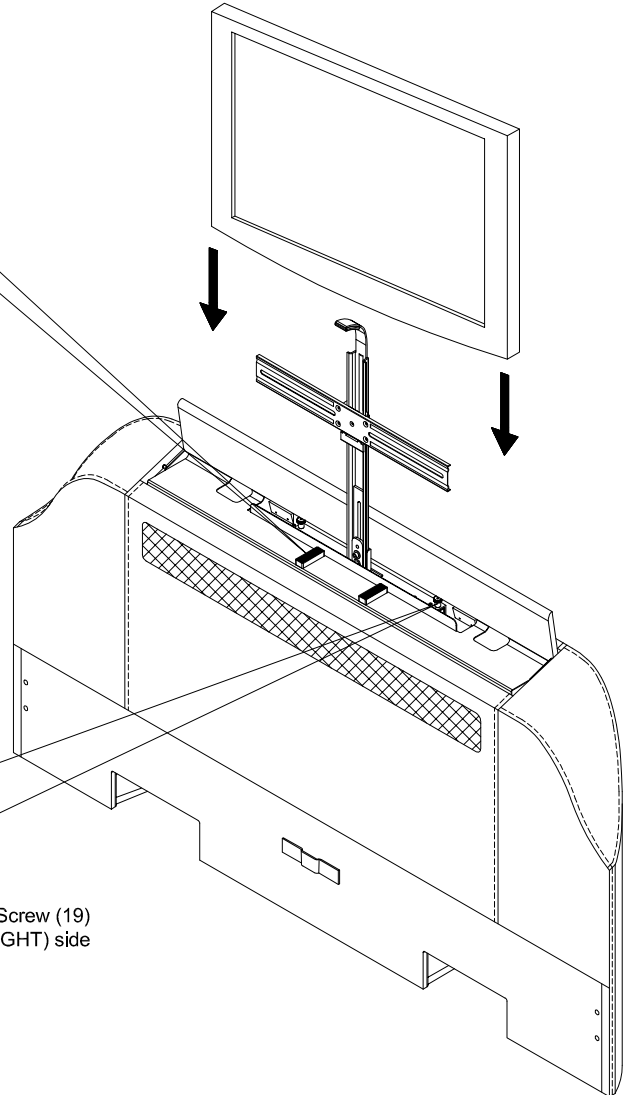
**Please note:** The manufacturer/supplier cannot take responsibility for any issues that relate a TV not working in conjunction with the TV lift mechanism. please take careful note of the TV installation restrictions, while ensuring all related cables are secure and free from interference within the footboard. please use the provided cable ties and clips to secure cables, where applicable. See example as a reference guideline. If in doubt please consult a professional TV instillation company.

## Step 14

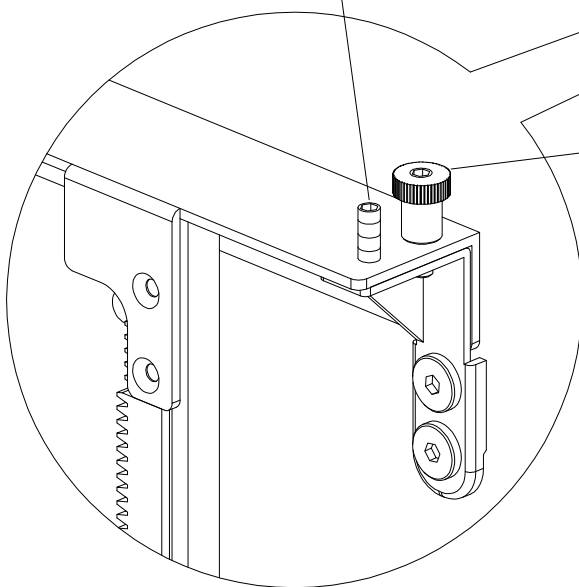
- TV installation.
  - 14.1 : Raise the mechanism to it's highest position.
  - 14.2 : While standing behind your television ( on the outside end of the footboard ).
  - 14.3 : Carefully place the TV on top of the two rubber TV mounting pedestals - ensuring the Gooseneck arm is perfectly inline with the horizontal 'center' of the TV.



TV mounting pedestals should always be fitted to allow TV ventilation.



TV mechanism Adjusting  
Balance grub Screw (21)  
( LEFT / RIGHT ) side



Tool-free Screw (19)  
( LEFT / RIGHT ) side

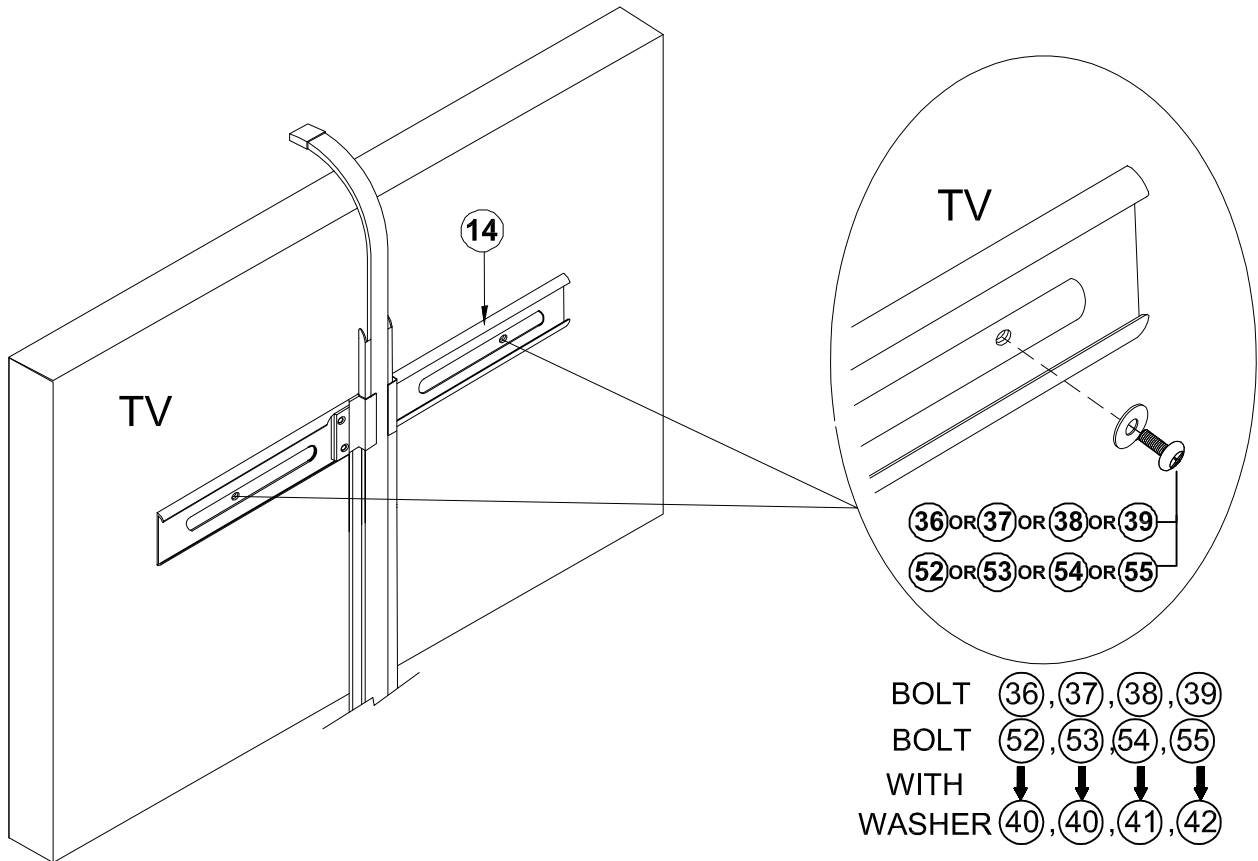
- IF THE TV OR MECHANISM IS TILTING TO THE LEFT OR RIGHT WHILST YOU FACE THE TV, FOLLOW THE STEPS BELOW TO RECTIFY THE TILT.
  - 1: Loosen (LEFT / RIGHT) side Tool-free screw (19) a few turns. Do not remove.
  - 2: Use 3mm Allen key (35) tighten the shelf adjusting screw (21) tightening this will adjust the mechanism to tilt to the RIGHT or LEFT (TV facing View)
  - 3: When the shelf / TV is level, please re-tighten the Tool-free screw (19) (LEFT / RIGHT) side .



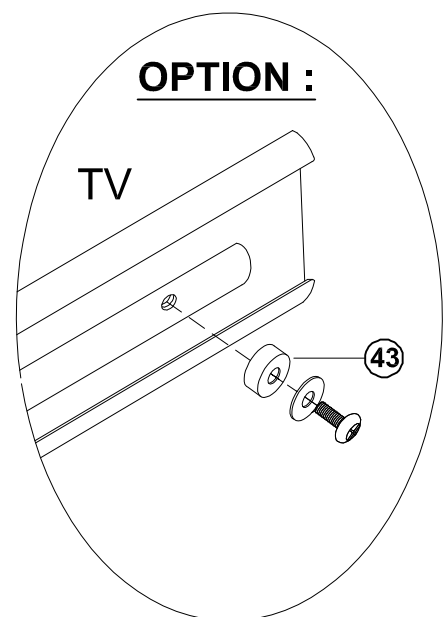
## Step 15

- TV Mounting Bracket (vesa bracket).

Please note : Item (36) or (37) or (38) or (39) or (52) or (53) or (54) or (55) screws have been supplied to fit most TV models. However sizes may vary depending on the TV model. If smaller or larger size screws are required these should be sourced from your local hardware store or TV specialist. Washers may also be required.

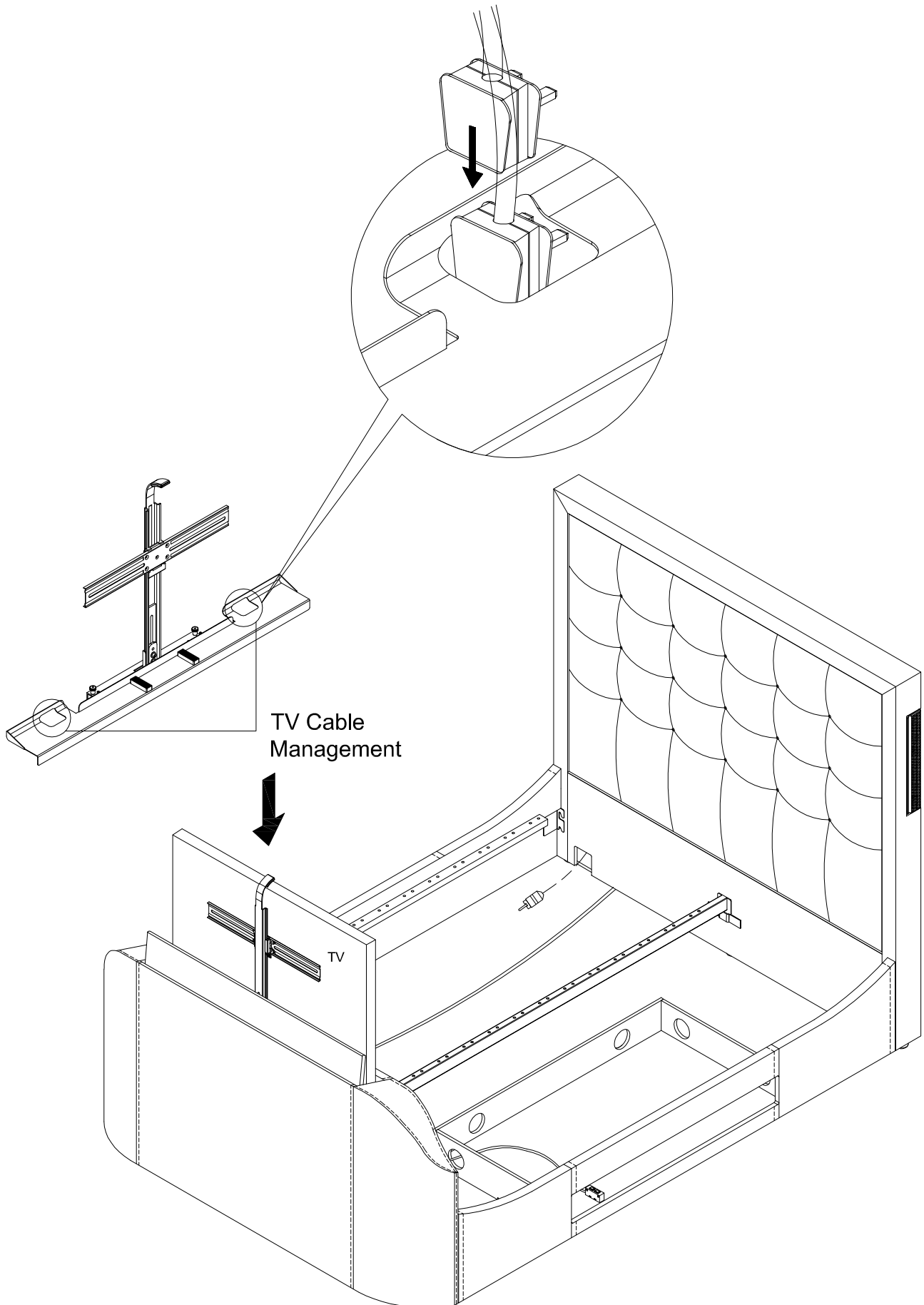


In the event you find the screws are too long for the TV with bracket please use Plastic collar (43) if required.



## Step 16

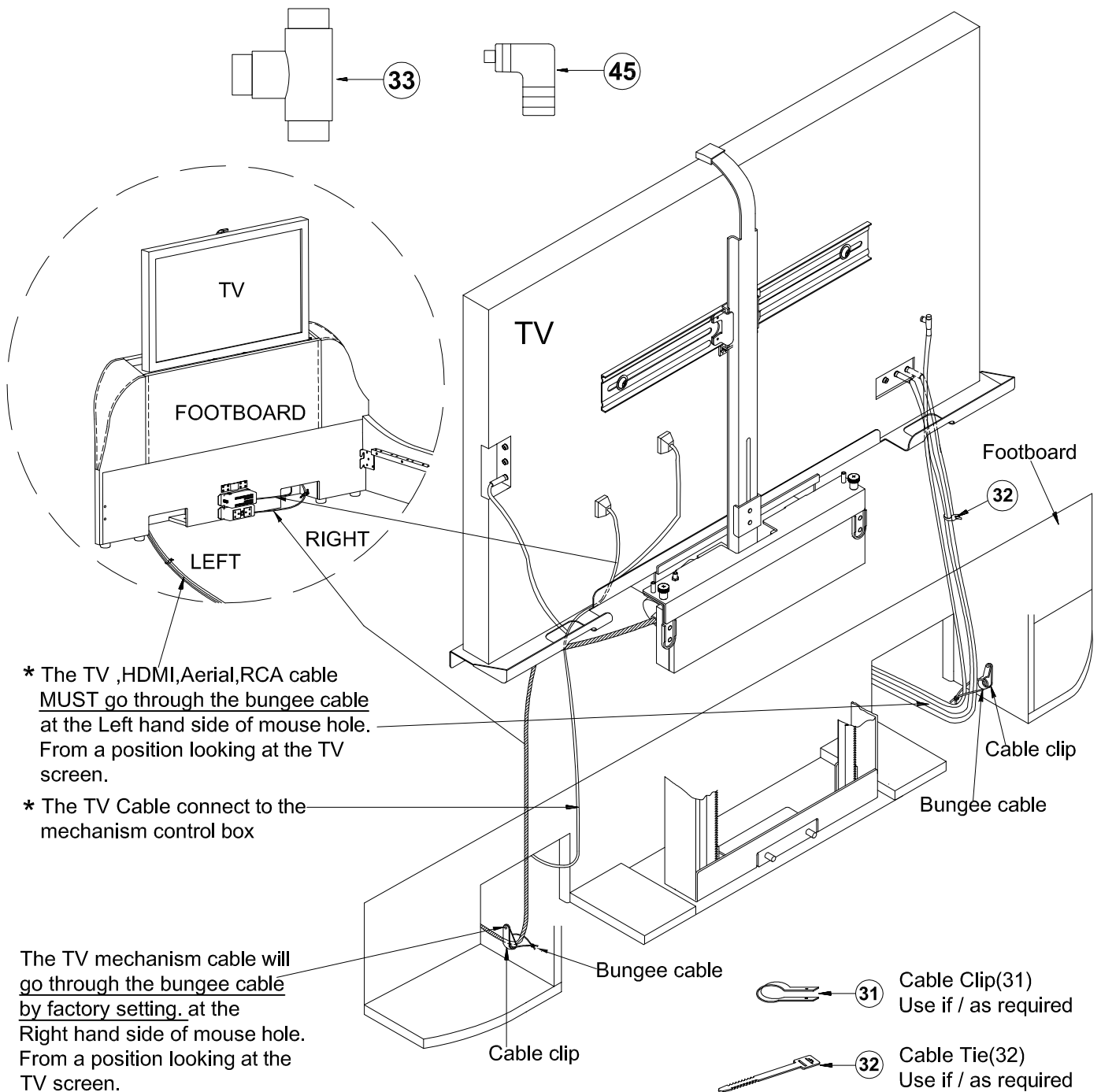
- The cable management holes are to help you to manage the cable and keep them tidy and free from snags. Pass all cables through them cleanly. While ensuring any cable slack is taken up from the bottom end of the footboard.



## Step 17

- Detail connection plan - 1.

As previously mentioned cables should wherever possible be connected at right angle to the screen either in a sideways or downwards directions. Adapters may be needed to achieve this some of which are supplied (as below) any other requirements can be sourced from your local TV specialist.



\* The TV ,HDMI,Aerial,RCA cable MUST go through the bungee cable at the Left hand side of mouse hole. From a position looking at the TV screen.

\* The TV Cable connect to the mechanism control box

The TV mechanism cable will go through the bungee cable by factory setting. at the Right hand side of mouse hole. From a position looking at the TV screen.

- 31 Cable Clip(31)  
Use if / as required
- 32 Cable Tie(32)  
Use if / as required

Place all cables through the 'Cable Management' holes to prevent any damage to the cable when the TV Lift Mechanism is operating. Make sure all your the cables are long enough to let the TV Lift Mechanism move freely.

All the cables MUST be pulled and extended fully.

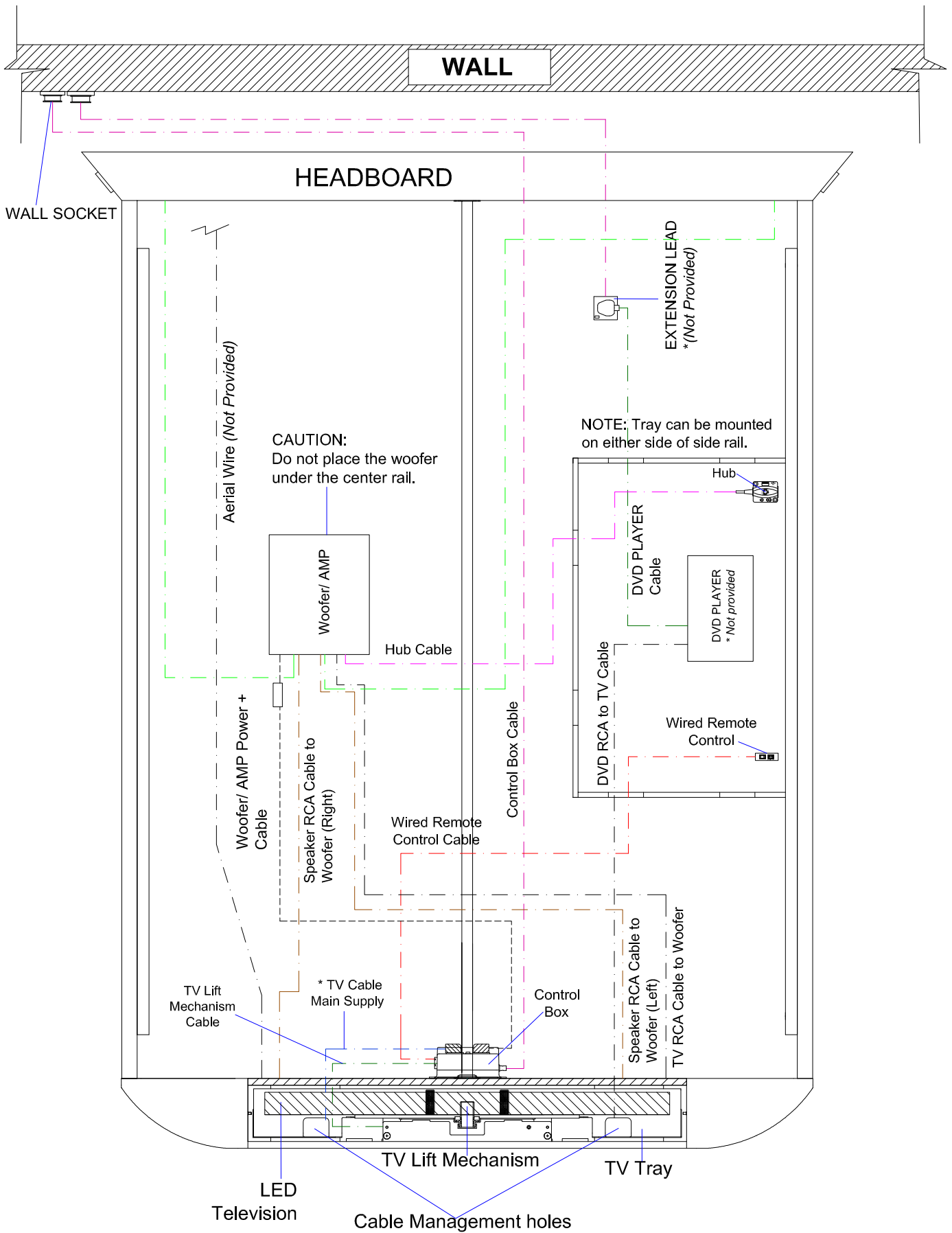
Group the cables together as required below the TV Tray using cable clip (31) or cable tie(32) provided.

NOTE: The cables port for television ,DVD, TV aerial etc may not be the same as shown above and vary depending on TV model.

\* The TV cable main supply can be put either left or right side depends on the TV port location.

## Step 18

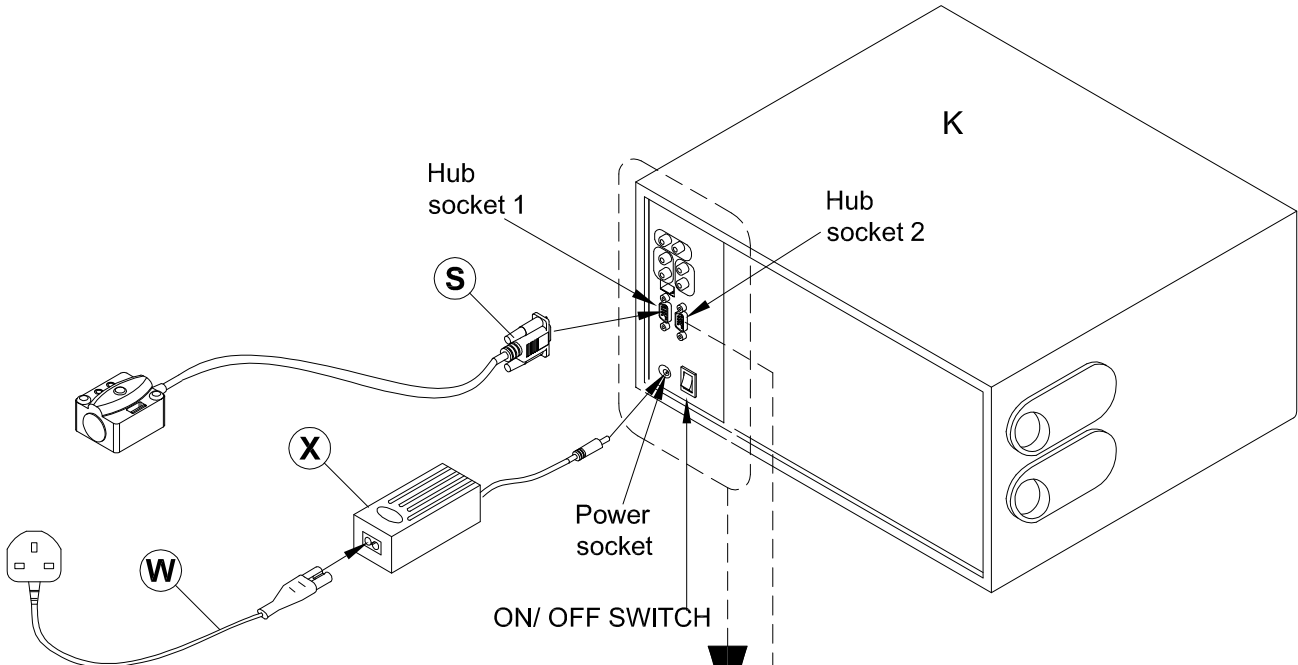
- Detail connection plan.



\* The TV cable main supply can be put either on the left or right side depending on the TV port location.

## Step 19

- Connecting the audio system (WOOFER/AMP)
- Attach the AC Adapter (X) + Power cable (W) into Power socket .
- Ensure the power is switched to the off position.
- Attach the Hub (S) into Hub 1 socket as shown.
- Ensure both Hub retainer screws (S) are fully tightened.



### WOOFER/ AMP REAR VIEW

**TV/ DVD AUDIO IN**  
Use this connection  
Video (Audio) input

**SPEAKER OUT**  
Speaker out

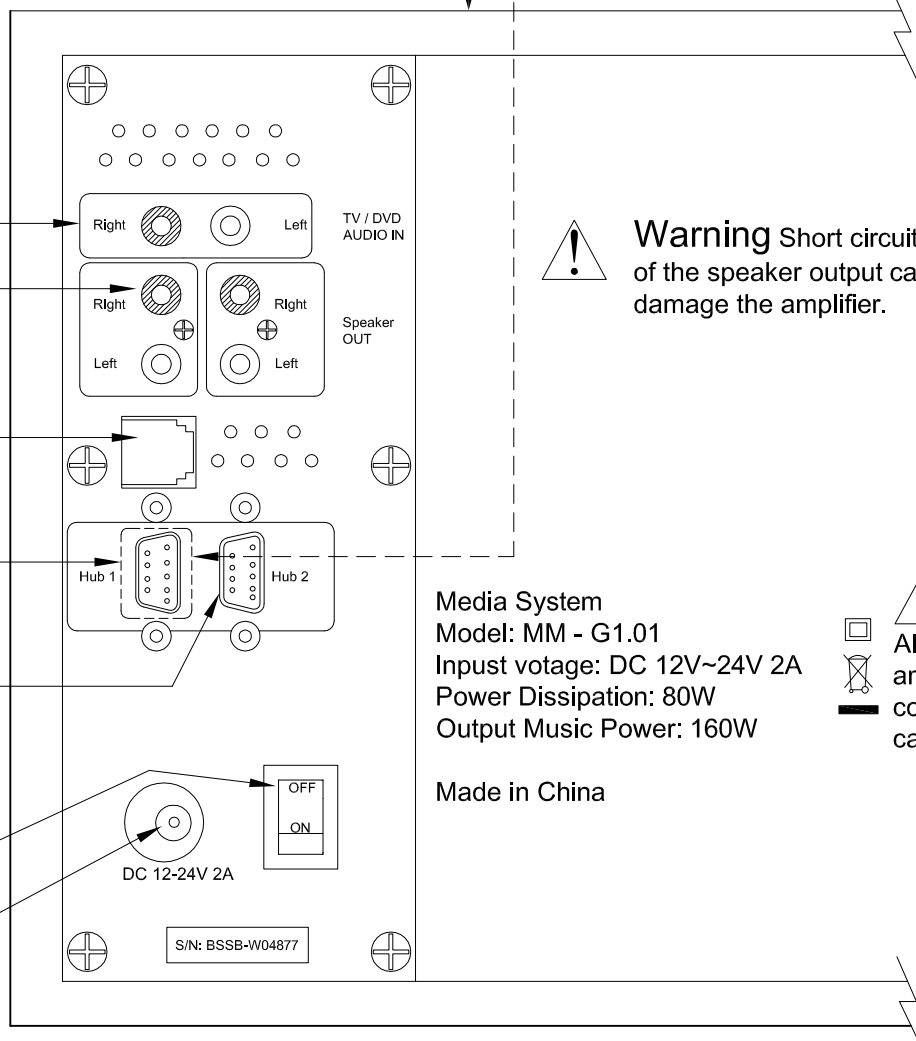
**OPTIONAL TV LIFT  
CONTROL SOCKET**  
Not functional with  
this system!

**HUB SOCKET 1**  
This is where the  
Hub connects.

**HUB SOCKET 2**  
Additional hub can be  
connected here for  
multiple users.  
Note: only use one  
hub at a time!

**ON/ OFF SWITCH**

**POWER SOCKET**



Media System  
Model: MM - G1.01  
Input vottage: DC 12V~24V 2A  
Power Dissipation: 80W  
Output Music Power: 160W

Made in China

**Warning**  
Always unplug the  
amplifier before  
connecting any  
cables.

## Step 20

- Place the Woofer/AMP opposite of DVD/Media compartment as shown.

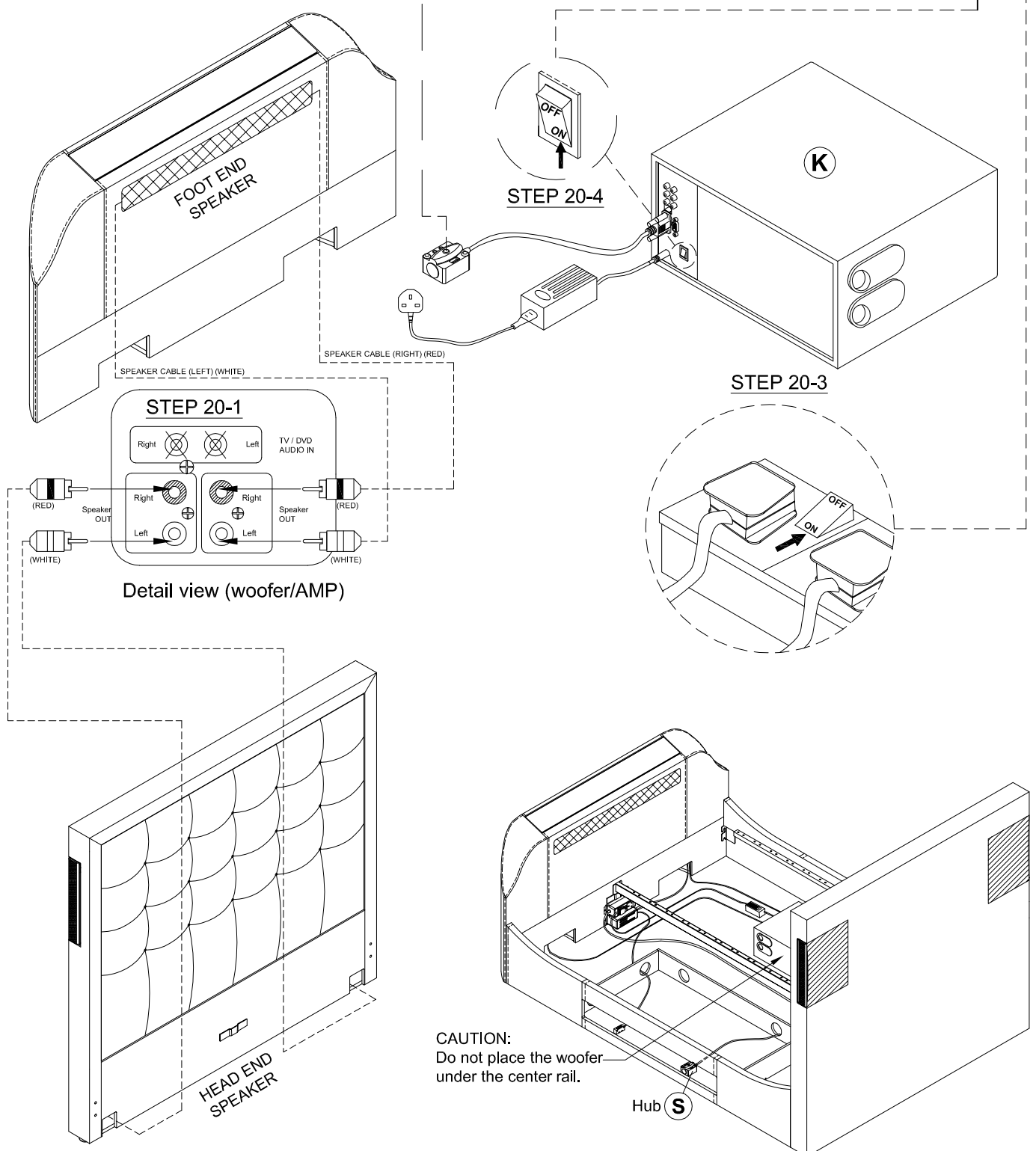
**STEP 20-1** Connect the (Head end/ Foot end) left and right speaker to the left and right socket location in back side of woofer/AMP as shown.

**STEP 20-2** Connect the Woofer/AMP power plug to the mains supply (you may require an extension lead for this).

**STEP 20-3** Switch "ON" the main power supply.

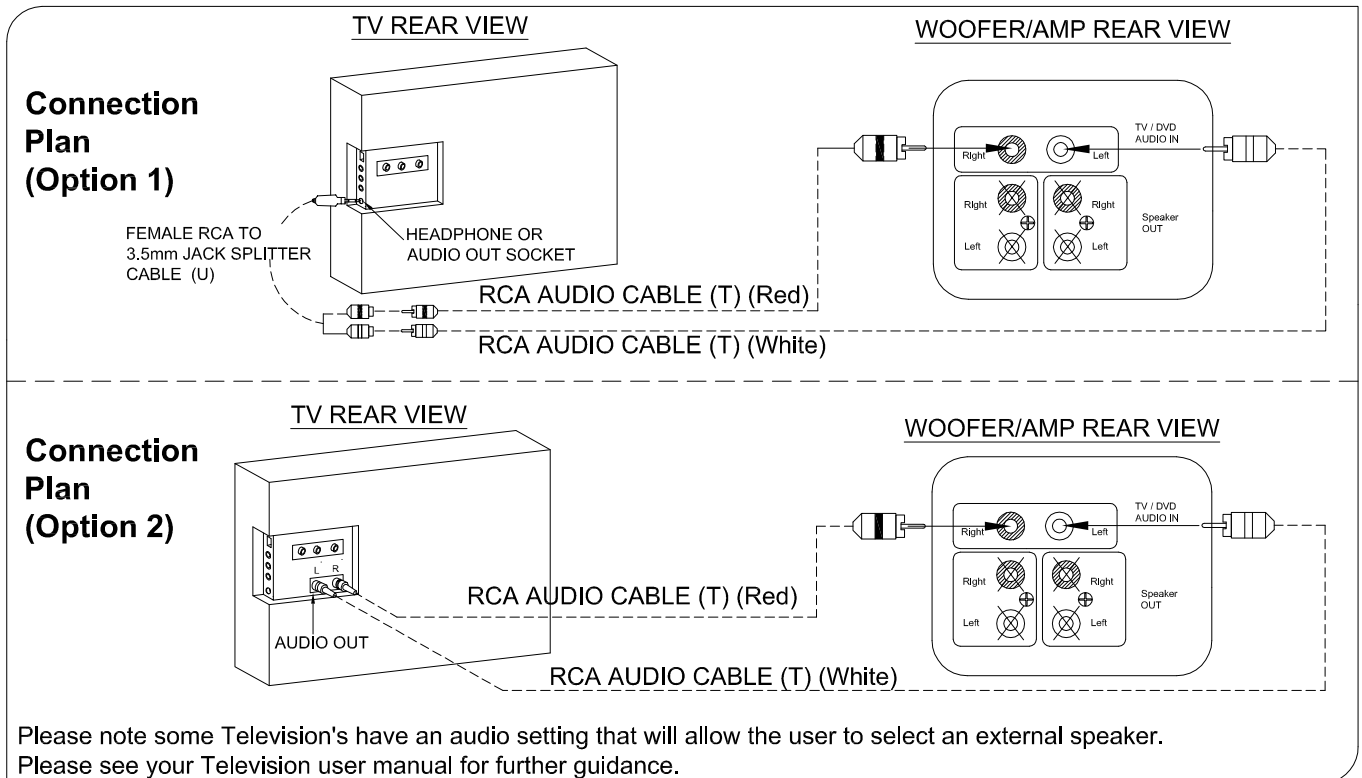
**STEP 20-4** Switch "ON" the Woofer/AMP, after 2~3 seconds you will hear the power on Audio notification . ( A blue light will appear on the hub select button )

**STEP 20-5** Power Woofer/AMP "OFF" before continuing to the next stage of setup.



## Step 21

- Connecting your TV to the TV bed speaker system.

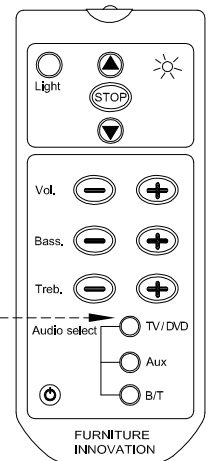


### Step 21-1 TV/DVD

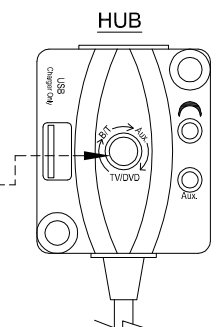
- Your TV bed system is now ready to play audio from your television.
- Switch your woofer/AMP power "ON" after 2~3 second you will hear the power on audio notification.
- Turn the TV "ON" (ensure it is playing an audio/video " broadcast")
- Press the wireless remote control **TV/DVD button** in (Audio select) on your remote control.
- You should now be able to hear the sound from the TV, speaker and woofer.
- Please use volume, base and treble buttons on your wireless remote control to select your preferred acoustic sound level.

### TROUBLE SHOOTING

- In the event there is no audio sound from the TV bed speaker system, please follow the points shown below.
- Make sure the main power supply is "ON" and also the woofer/AMP power is switch "ON". (Hub select button should be illuminated with a blue light)
- Check the cable connections and make sure all the cables are securely in place. TV, Speaker, Woofer/AMP etc.
- Make sure the wireless remote control is working by pressing any button on the remote control and the blue LED in the top right hand corner of remote control lights up. ( if the remote control is not working please replace the batteries see "Step23 / Pages 26 of 32" )
- Make sure the TV audio/video volume is turned up.
- Make sure the wireless remote control **TV/DVD button** (Audio select) is pressed.
- Make sure the wireless remote control linking the woofer/AMP is working properly. In the event your remote control is not responding, please synchronize the wireless remote control through "Step24 / Pages 27 of 32". "Wireless remote control notification"
- In the event you are unable to get you remote control working, it is possible to control your TV bed speaker system via the Hub. To do this "press & release" the audio select button until audio is acknowledge. See "step 22 pages 25 of 32" for further Hub detail.
- Please note: In some instances the TV speaker may produce sound as well as the TV bed speaker system. In this instance please lower your TV volume to minimum, you should still hear sound from your TV bed speaker system. Some Television's have an audio setting that will allow the user to select an external speaker. Please see your Television user manual for further guidance, if applicable.

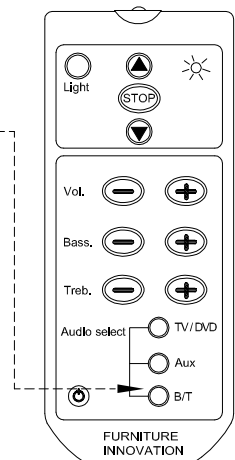


Wireless remote control



## Step 21-2 Playing audio files through BLUETOOTH connection.

- The woofer/AMP is bluetooth compatible and will work wirelessly with most bluetooth compatible Audio devices. Please refer to your device manual for further information on how to enable its bluetooth function and search / pair with your woofer/AMP.
- Press the wireless remote control B/T button in (Audio select) on your remote control.
- Once you have prepared your device to search for a bluetooth (wireless) device - your Woofer/AMP will show up as "F I SPEAKER " or "00:15- -" depending on your bluetooth device type. Once you have opted to (PAIR/CONNECT) with BLUETOOTH Woofer/AMP - your device will ask you for a connection PIN.
- To PAIR, enter PIN (0000) - four zero's!
- Once your device has successfully connected to your Woofer/AMP you can hear the audio notification bleep - this confirms the Woofer/AMP Bluetooth is enabled and ready to use.
- Please ensure your device volume is turned up at least half way and the B/T button is selected.
- you can simply use your devices music player to play sound through your Woofer/AMP - ENJOY
- Please use volume, base and treble buttons on your wireless remote control to select your preferred acoustic sound level.

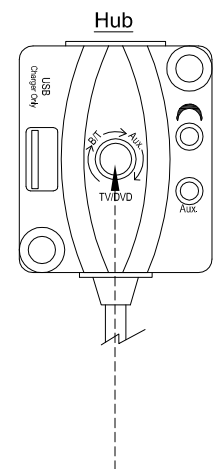


Wireless remote control

**Bluetooth Connection Notification:** The Woofer/AMP is only able to connect/pair with one device at a time using Bluetooth connectivity. In the event you wish to connect/pair an alternative/additional Bluetooth compatible device, please firstly disconnect the bluetooth connection between your current device and the Woofer/AMP. Turn "off " Woofer/AMP main power, then turn "on". Then again repeat the above steps .

### TROUBLE SHOOTING

- In the event there is no audio sound from the TV bed speaker system, please follow the points shown below.
- Check your device has successfully connected / Pairing to your Woofer/AMP. You can hear the audio notification bleep.
- Check your device is playing music and the volume is turned up at least half way.
- Make sure the wireless remote control is working by pressing any button on the remote control and the blue LED in the top right hand corner of remote control lights up. ( if the remote control is not working please replace the batteries see "Step23 / Pages 26 of 33" )
- Make sure the wireless remote control B/T button (Audio select) is pressed.
- In the event your remote control is not responding, please synchronize the wireless remote control through "Step24 / Pages 27 of 32". "Wireless remote control notification"
- In the event you are unable to get your remote control working, it is possible to control your TV bed speaker system via the Hub. To do this "press & release" the audio select button until audio is acknowledge. See "step 22 pages 25 of 32" for further Hub detail. -----

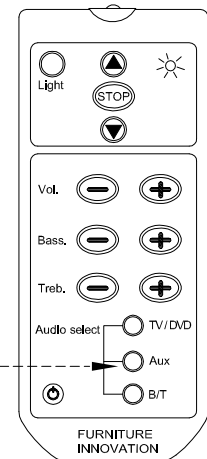


Please see your external devices user manual for additional connection information. Especially if you are experiencing Bluetooth connection issues!



## Step 21-3 Playing audio files through AUX connection.

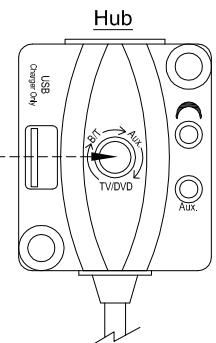
- Press the wireless remote control AUX button (Audio select) on the remote control.
- Using the 3.5mm JACK AUX Cable (X) plug directly into any audio device that has a headphone socket and plug the opposite end into Hub AUX socket to deliver wired audio, in the event you have chosen not to connect wirelessly via Bluetooth.
- Please use volume, base and treble buttons on you wireless remote control to select your preferred acoustic sound level.



Wireless remote control

### TROUBLE SHOOTING

- In the event there is no audio sound from the TV bed speaker system, please follow the points shown below.
- Check the 3.5mm JACK Cable connections are securely in place on your headphone socket and Hub.
- Check your device is playing music and the volume is turned up at least half way.
- Make sure the wireless remote control is working by pressing any button on the remote control and the blue LED in the top right hand corner of remote control lights up. ( if the remote control is not working please replace the batteries see "Step23 / Pages 26 of 32" )
- Make sure the wireless remote control AUX button (Audio select) is pressed.
- In the event your remote control is not responding, please synchronize the wireless remote control through "Step24 / Pages 27 of 32". "Wireless remote control notification"
- In the event you are unable to get your remote control working, it is possible to control your TV bed speaker system via the Hub. To do this "press & release" the audio select button until audio is acknowledge. See "step 22 pages 25 of 32" for further Hub detail.



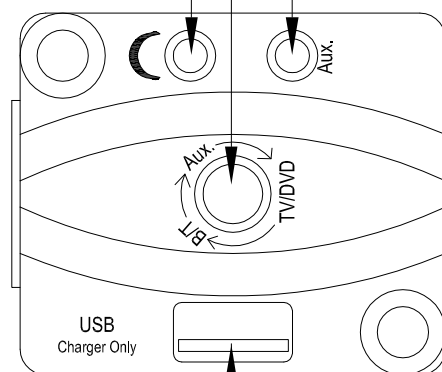
## Step 22 HUB DETAIL

### AUDIO FUNCTION SELECT BUTTON

In the event you are expressing difficulties with your remote control - Once you have chosen your method of audio connection (TV/DVD , BLUETOOTH or AUX device) use this "press & release" button to switch between functions.

### HEADPHONE SOCKET

If you are receiving audio from a video device, you can plug in a headphone set to avoid disturbing others.



### AUX SOCKET

Use a 3.5mm JACK AUX Cable to plug directly into any audio device that has a headphone socket and plug the opposite end into Hub AUX socket to deliver wired audio, in the event you have chosen not to connect wirelessly via Bluetooth.

USB PORT  
charge only

## Step 23

- Wireless remote control detail.

**\*CONVENIENCE NIGHT LIGHT**

**\*STOP BUTTON**

Use this button to stop the mechanism at any point between lifts.

**\*TV LIFT UP BUTTON**

Press "UP" button, and release to raise your TV LIFT.

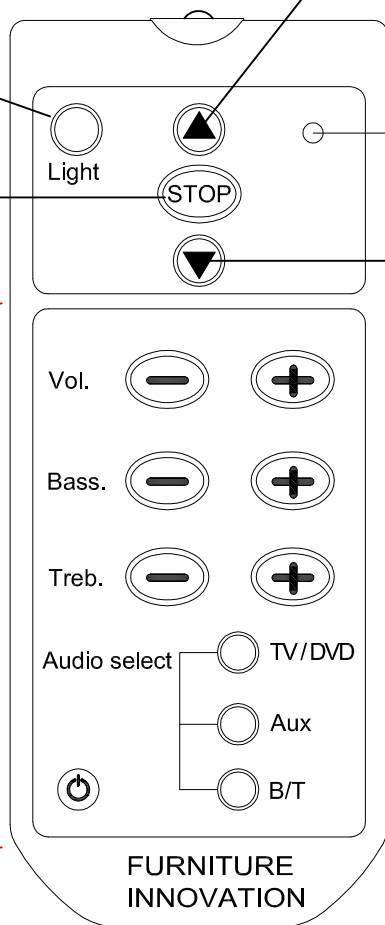
**INDICATOR LIGHT**

Flashes when buttons are pressed

**\*TV LIFT DOWN BUTTON**

Press "DOWN" button, and release to lower your TV LIFT.

**THIS AUDIO INTERFACE WILL ONLY CONTROL INNOVATION FURNITURE PRODUCTS THAT ARE FITTED WITH OUR BUILT IN SPEAKER SYSTEMS.**



### **CHILD-LOCK SAFETY FEATURE:**

To avoid unattended children from operating the lift system the Lift can be locked by continually pressing the **STOP BUTTON** on the Remote Control for at least 6 seconds, This action will stop the TV lift from operating, when using the wireless remote control. To unlock the lift, once again press the Stop button on Remote Control for at least 6 seconds. (OR Turn off power for 6 seconds.)

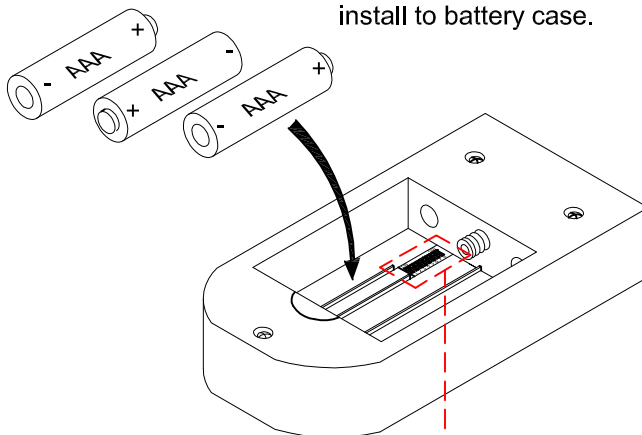
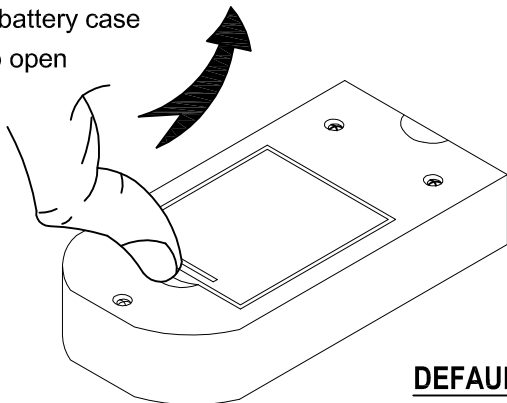
### **Battery:**

Size: AAA - Ø10.5 X T44.5mm

Spec.: 1.5V

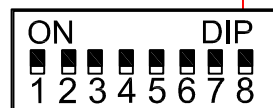
(AAA) Battery x 3pcs (provided)  
install to battery case.

Pull out the battery case from here to open



### **DEFAULT SETTING**

ALL SWITCHES IN DOWN POSITION  
1 2 3 4 5 6 7 8



**CODE BOX- READ THE IMPORTANT NOTE ON NEXT PAGE.**

## Step 24

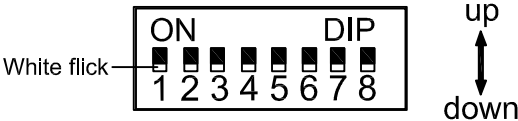
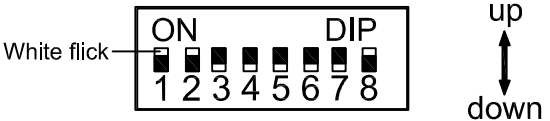
- Wireless remote control notification.

# ATTENTION - WIRELESS REMOTE NOTIFICATION ( IMPORTANT!!)

This Wireless 'Radio Frequency' Remote control is designed to operate your TV lift Mechanism / Woofer/AMP straight out of the box.

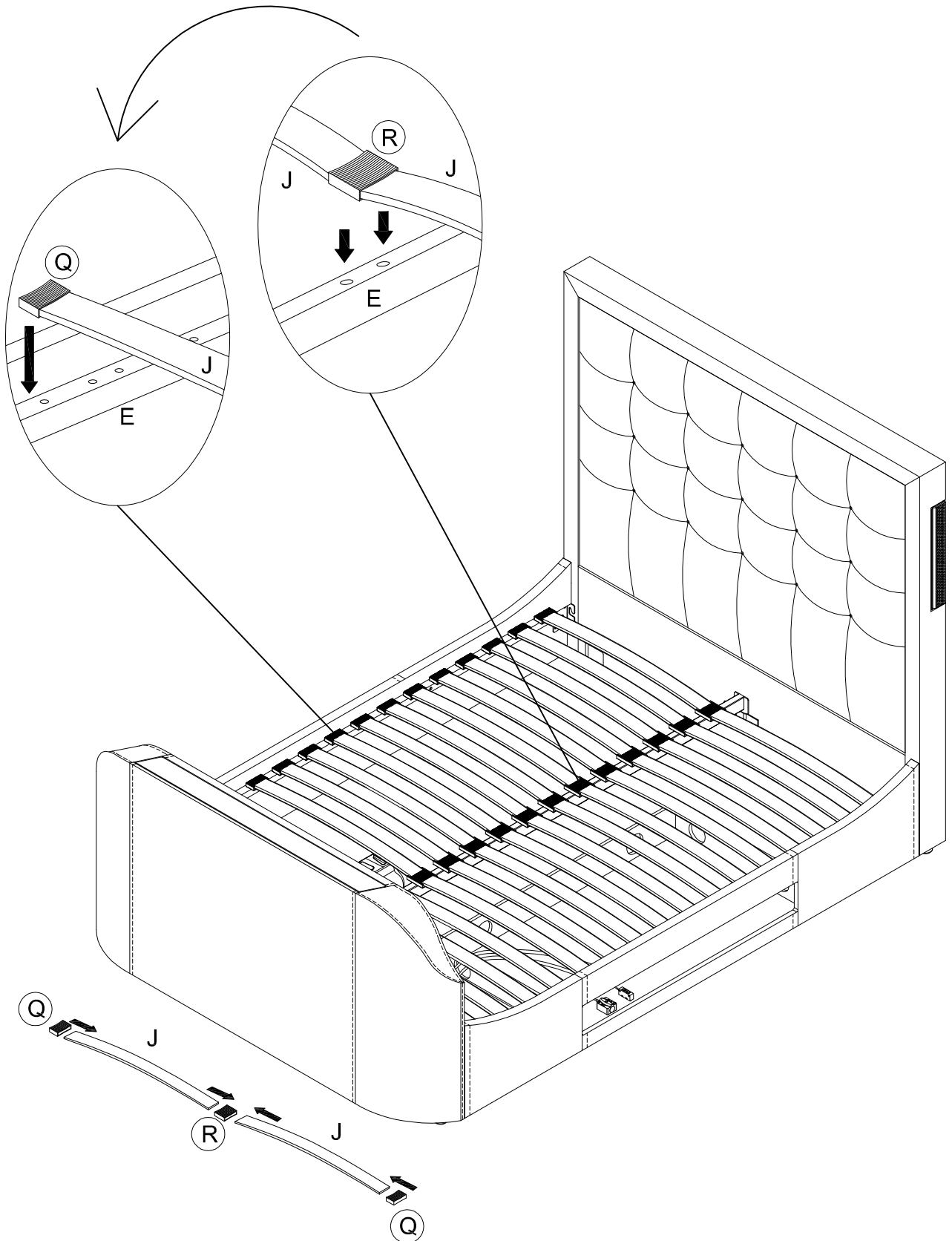
However, in the event the remote is also communicating with other TV Beds / Woofer/AMP in close proximity, which work on the same remote system or if there is interference from other radio frequency devices, please remove the battery case and switch over at least one of the white flick switches on the **CODE BOX** to the ON / DIP position. Then follow the synchronization process shown below for your remote to work only with the bed it is intended for.

### CODE BOX SETTING

DEFAULT SETTING	SYNCHRONIZED SETTING
	
<p>ALL SWITCHES DOWN / OFF - IS THE STANDARD FACTORY SETTING THAT WILL OPERATE ALL INNOVATION FURNITURE TV BEDS and Woofer/AMP, WITHOUT THE NEED TO SYNCHRONIZE.</p>	<p>SWITCH TO THE ON / DIP POSITION AT LEAST ONE OF THE WHITE FLICK SWITCHES TO ALLOW FREQUENCY SYNCHRONIZATION.</p> <p><u>TV LIFT synchronized setting</u> Ensure the 'Wired Remote Control' is powered "OFF". before powering back on, press and hold either the "UP" or "DOWN" switch on your wireless remote. then while continuing to press this switch "DOWN" power on the wired remote control while keeping the remote control switch compressed for at least 6 seconds.</p> <p><u>WOOFER/AMP synchronized setting</u> Ensure the 'Woofer/AMP' is powered "OFF". before powering back on, press and hold the "standby" button on your wireless remote control. Then while continuing to press this button, power on the Woofer/AMP "ON/OFF" switch while keeping the remote control switch compressed for at least 4 seconds.</p>

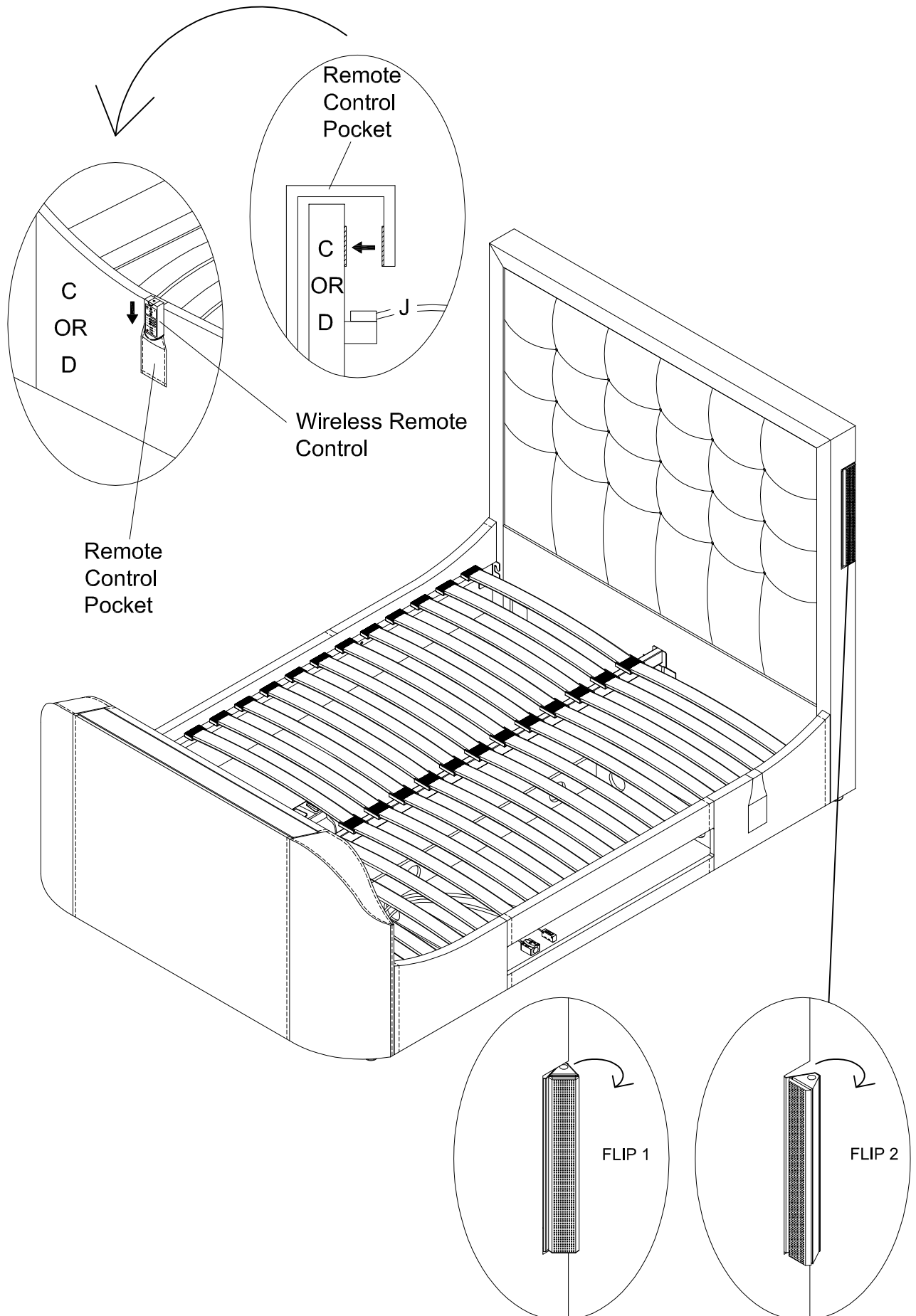
## Step 25

- Slat attachment.
- Attach middle caps and end caps to the bent slats as shown.
- Push the caps into the metal frame, follow the steps given.



## Step 26

- Attach the Remote Control Pocket to the left or right side of the side rail as preferred.



# TROUBLE SHOOTING

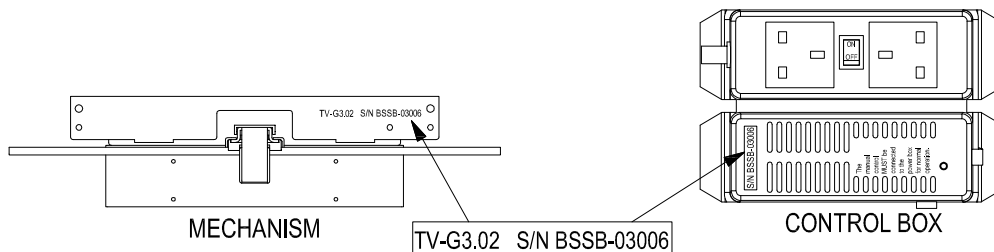
Symptoms	Suggested Action
TV lift mechanism 'will not respond' to the 'wired' remote control that is attached to the TV lift control box underneath the mattress.	<ol style="list-style-type: none"> <li>1.Ensure the TV lift control box is receiving 'mains power' (external wall socket power plug-point) test an alternative 'working' electronic device if unsure.</li> <li>2.Ensure the wired remote is plugged firmly and securely into the TV lift control box.</li> <li>3.Ensure the control box LED power light is on.</li> <li>4.Ensure the TV lift power cable is plugged firmly and securely into the TV lift control box.</li> </ol> <p>In the event all the above have been checked and confirmed in position but the TV lift remains unresponsive - please contact your product supplier directly for further assistance.</p>
TV lift mechanism 'works' with the 'wired' remote control. The 'wireless' remote control will not operate the TV lift mechanism.	<ol style="list-style-type: none"> <li>1.Ensure there are three working AAA batteries in the remote control and the top right hand corner LED lights up blue when pressing any button on the control panel (if the batteries are working but the LED light is 'not' responding - please contact your product supplier directly for further assistance).</li> <li>2.Switch the wired remote control OFF and ON again.</li> <li>3.Ensure white dip selector switches inside the remote control battery case are all switched in down position 1 2 3 4 5 6 7 8 - default setting. (Refer to Assembly Instruction -Remote Control Detail)</li> <li>4.Try to synchronize the remote control with the control box by: <ul style="list-style-type: none"> <li>✓ Switch off the TV lift control box via the 'wired' remote.</li> <li>✓ Wait for 30 seconds.</li> <li>✓ Press and hold any of the buttons on the 'wireless' remote control.</li> <li>✓ While keeping the button pressed on the remote, quickly switch the 'wired' remote on and wait for 6 seconds.</li> <li>✓ Release the 'wireless' remote button and test again.</li> </ul> </li> </ol> <p>In the event the TV lift remains unresponsive - please contact your product supplier directly for further assistance.</p>

## SPECIFICATION

FEATURE		1. Wireless Remote Control 2. Wired Remote Control
VOLTAGE	US EU	120V/60Hz 100V/60Hz 240V/50Hz 220V/50Hz
MAXIMUM LOADING CONSUMPTION POWER UPWARD SPEED		80lbs 100Watts 1"/1.5Sec.
BATTERY (WIRELESS REMOTE CONTROL)		Size: AAA - Ø10.5 X T44.5mm Spec.: 1.5V

### SPECIAL NOTE:

THE PRODUCT SERIAL NUMBER CAN BE LOCATED ON THE TOP OF MECHANISM AND CONTROL BOX AND SHOULD BE QUOTED WHEN ORDERING / REQUIRING SPARE PARTS OR SERVICE ASSISTANCE.

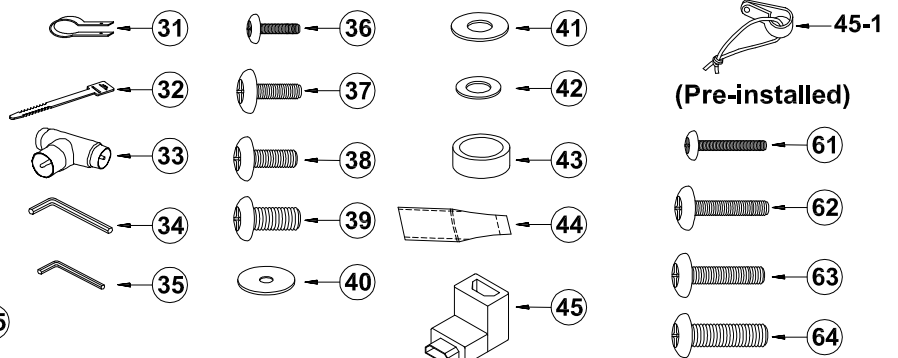
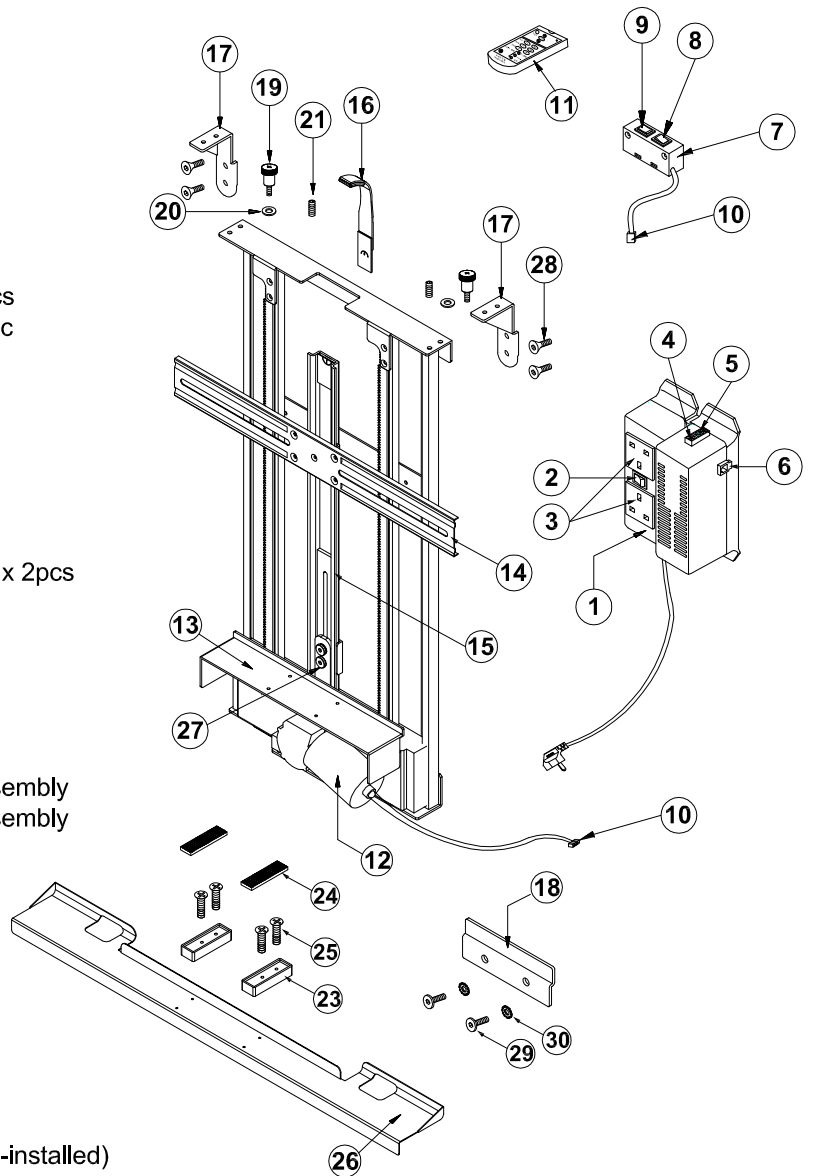


# TV LIFT MECHANISM-PARTS LIST

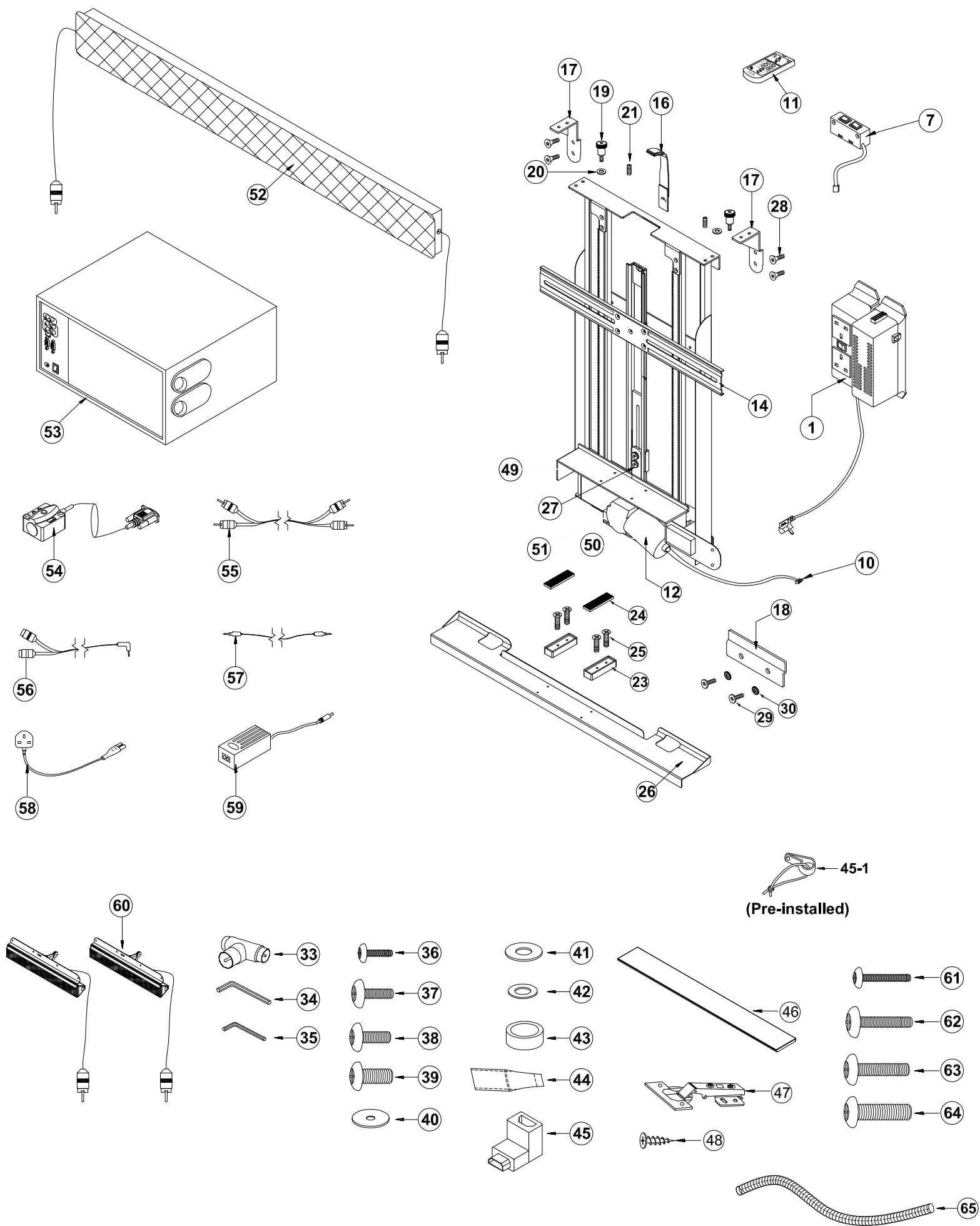
## NO. DESCRIPTION

1. Control Box
2. Manual ON/OFF Switch
3. Power Outlet
4. 4 Wire plastic connector(female)
5. 8 Wire plastic connector(female)
6. Upgradeable wire remote socket
7. Wired remote control
8. ON/OFF switch
9. UP/DOWN switch
10. 4 Wire plastic connector(male)
11. Wireless Remote Control
12. Main Assembly
13. Platform
14. TV Flat Bracket (Vesa Bracket)
15. Sliding Bar
16. Gooseneck
17. Upper Hanging Bracket for Assembly x 2pcs
18. Bottom Hanging Bracket for Assembly x 1pc
19. Tool Free Screw x 2pcs
20. M6 Washer x 2pcs
21. Balance grub screw M6 x 15mm x 2pcs
23. TV block x 2pcs
24. Rubber Pad x 2pcs
25. Screw M4 x 16mm x 4pcs
26. TV Tray (TV-G3.02)
27. Allen Head Screw with washer M6x 20mm x 2pcs
28. Allen Head Screw M6x 20mm x 4pcs
29. Allen Head Screw M8x 16mm x 2pcs
30. Shake proof washer M8 x 16mm x 2pcs
31. Cable Clip 2Pcs - Use to fix wire
32. Cable Ties 2Pcs - for use to fix cable / wire
33. Aerial Connection X 1pc
34. Allen Key M5 1Pc - Use to adjust Main Assembly
35. Allen Key M3 1Pc - Use to adjust Main Assembly
36. Pan Head Screw M4 x 20mm x 2pcs
37. Pan Head Screw M5 x 20mm x 2pcs
38. Pan Head Screw M6 x 20mm x 2pcs
39. Pan Head Screw M8 x 20mm x 2pcs
40. M5 Washer x 2pcs
41. M6 Washer x 2pcs
42. M8 Washer x 2pcs
43. Plastic collar x 6pcs
44. Remote Control Pocket x 1pc
45. 90 Degree HDMI Cable adaptor x 1pc
- 45-1. Cable Clips & Bungee Cable x 2pcs (Pre-installed)
61. Pan Head Screw M4 x 40mm x 2pcs
62. Pan Head Screw M5 x 40mm x 2pcs
63. Pan Head Screw M6 x 40mm x 2pcs
64. Pan Head Screw M8 x 40mm x 2pcs
65. Thermoplastic Corrugated Conduit 20mm x 650mm x 1pcs

REFER TO LAST PAGE 32  
**KF3001 (TV-G3.02) SPARE PARTS IDENTIFICATION SHEET,  
 WHEN ORDER THE SPARE PARTS.**



# KF-3001 (TV-G3.02) SPARE PARTS IDENTIFICATION SHEET ONLY



ITEM	PART DESCRIPTION	PART NO.
1	Control Box (UK)	v2cnlbox-uk-1
1	Control Box (USA)	v2cnlbox-us-1
1	Control Box (AUS)	v2cnlbox-aus-1
1	Control Box (CAN)	v2cnlbox-can-1
7	Wired remote control	v2wrdrnt-7
11	Wireless remote control (UK)	v2rfrmt-UK-11
11	Wireless remote control (USA)	v2rfrmt-USA-11
11	Wireless remote control (AUS)	v2rfrmt-AUS-11
11	Wireless remote control (CAN)	v2rfrmt-CAN-11
12	Main Assembly KF-3001- (Main Engine - Frame, motor, cable, platform, mech stabilizer, micro switches, grub screws)	v2 malnmechonly-12
14	TV Flat Bracket (Vesa Bracket)	v2lwhngbkt-14
16	Gooseneck	v2gsnkmv-16
17	Upper hanging bracket (2pcs)	v2lhb-17
18	Bottom hanging bracket (1pc)	v2lhb-18
19,20	Tool free screw with M6 washer	v2lfsr-19,20
21	Balance grub screw M6 x 15mm	v2baigrubscr-21
23,25	TV block with screw M4 x 16mm	v2lrayped-23,25
24	Rubber pad	v2lraypedstrps-24
26	TV Tray (TV-G3.02)	v2lray-TV-G3,02-26
27	Allen head screw with washer M6 x 20mm	v2pltrfmsblts-27
28	Allen head screw M6 x 20mm (4pcs)	v2m620ahs-28
29	Allen head screw M8 x 16mm (2pcs)	v2m816ahs-29
30	Shake proof washer M8 x 16mm (2pcs)	v2spwashm8-30
33	Aerial connection	actn-19
34-43	TV mounting hardware (Allen key (M3),(M5), Pan head screw M4 x 20mm (2pcs), Pan head screw M5 x 20mm (2pcs), Pan head screw M6 x 20mm (2pcs), Pan head screw M8 x 20mm (2pcs), M5 Washer (2pcs), M6 Washer (2pcs), M8 Washer (2pcs), Plastic collar (6pcs)	v2lvmnthw34-43
44	Remote control pocket UPH (Brown Madras Bonded)	v2rcp-fb-mbr-44
44	Remote control pocket UPH (Black Madras Bonded)	v2rcp-fb-blk-44
44	Remote control pocket UPH (White Madras Bonded)	v2rcp-fb-mwh-44
44	Remote control pocket UPH (Brown Madras Faux)	v2rcp-fm-br-44
44	Remote control pocket UPH (Black Madras Faux)	v2rcp-fm-blk-44
44	Remote control pocket UPH (White Madras Faux)	v2rcp-fm-wh-44
44	Remote control pocket UPH (Brown Bycast Faux)	v2rcp-fdb-44
44	Remote control pocket UPH (Black Bycast Faux)	v2rcp-fbl-44
44	Remote control pocket UPH (Brown Colonial Faux)	v2rcp-fcol-br-44
44	Remote control pocket UPH (Black Ranch Faux)	v2rcp-fblg-44
44	Remote control pocket UPH (White Ranch Faux)	v2rcp-fwh-44
44	Remote control pocket UPH (Ivory Ohio Bonded)	v2rcp-fb-ohlo-44
44	Remote control pocket UPH (Byson Black)	v2rcp-fby-blk-44
44	Remote control pocket UPH (Winchester Cocoa Black)	v2rcp-wco-44
44	Remote control pocket UPH (Brown Ranch Bonded)	v2rcp-fb-db-44
44	Remote control pocket UPH (White Ranch Bonded)	v2rcp-fb-wh-44
44	Remote control pocket UPH (CP001)	v2rcp-cp001-44
44	Remote control pocket UPH (Regus Black Bonded Bycast)	v2rcp-fb-regbl-44
44	Remote control pocket UPH (Regus Brown Bonded Bycast)	v2rcp-fb-regbr-44
44	Remote control pocket UPH (Regus White Bonded Bycast)	v2rcp-fb-regwh-44
44	Remote control pocket UPH (Cappuccino Pendle)	v2rcp-pen-cap-44
44	Remote control pocket UPH (Mocha Pendle)	v2rcp-pen-moc-44
44	Remote control pocket UPH (Oatmeal Pendle)	v2rcp-pen-oat-44
44	Remote control pocket UPH (Slate Pendle)	v2rcp-pen-slat-44
44	Remote control pocket UPH (Pink Pendle)	v2rcp-pen-pink-44
44	Remote control pocket UPH (Mink Hendon)	v2rcp-hen-min-44
44	Remote control pocket UPH (Black Hendon)	v2rcp-hen-blk-44
44	Remote control pocket UPH (Black Hessian)	v2rcp-hes-blk-44
44	Remote control pocket UPH (Light Hessian)	v2rcp-hes-lt-44
44	Remote control pocket UPH (sandbach)	v2rcp-sanbac-44
44	Remote control pocket UPH (Faux Deepa Black)	v2rcp-fd-blk-44
44	Remote control pocket UPH (Alderly Tweed)	v2rcp-al-tw-44
44	Remote control pocket UPH (Alderly Charcoal)	v2rcp-al-char-44
44	Remote control pocket UPH (Berwick Dark Grey)	v2rcp-bw-dkgry-44
45	90 Degree HDMI cable adaptor	v2hdm190d-45
45-1	Cable Clips & bungee cable	v2cabclips-buncab-45-1
46	Door/Lid UPH (Brown Madras Bonded)	v2f/edoor-fb-mbr-46
46	Door/Lid UPH (Black Madras Bonded)	v2f/edoor-fb-blk-46
46	Door/Lid UPH (White Madras Bonded)	v2f/edoor-fb-mwh-46
46	Door/Lid UPH (Brown Madras Faux)	v2f/edoor-fm-br-46
46	Door/Lid UPH (Black Madras Faux)	v2f/edoor-fm-blk-46
46	Door/Lid UPH (White Madras Faux)	v2f/edoor-fm-wh-46
46	Door/Lid UPH (Brown Bycast Faux)	v2f/edoor-fdb-46
46	Door/Lid UPH (Black Bycast Faux)	v2f/edoor-fbl-46
46	Door/Lid UPH (Brown Colonial Faux)	v2f/edoor-fcol-br-46
46	Door/Lid UPH (Black Ranch Faux)	v2f/edoor-fblg-46
46	Door/Lid UPH (White Ranch Faux)	v2f/edoor-fwh-46
46	Door/Lid UPH (Ivory Ohio Bonded)	v2f/edoor-fb-ohlo-46
46	Door/Lid UPH (Byson Black)	v2f/edoor-fby-blk-46
46	Door/Lid UPH (Winchester Cocoa Black)	v2f/edoor-wco-46
46	Door/Lid UPH (Brown Ranch Bonded)	v2f/edoor-fb-db-46
46	Door/Lid UPH (White Ranch Bonded)	v2f/edoor-fb-wh-46
46	Door/Lid UPH (CP001)	v2f/edoor-cp001-46
46	Door/Lid UPH (Regus Black Bonded Bycast)	v2f/edoor-fb-regbl-46
46	Door/Lid UPH (Regus Brown Bonded Bycast)	v2f/edoor-fb-regbr-46
46	Door/Lid UPH (Regus White Bonded Bycast)	v2f/edoor-fb-regwh-46
46	Door/Lid UPH (Cappuccino Pendle)	v2f/edoor-pen-cap-46
46	Door/Lid UPH (Mocha Pendle)	v2f/edoor-pen-moc-46
46	Door/Lid UPH (Oatmeal Pendle)	v2f/edoor-pen-oat-46
46	Door/Lid UPH (Slate Pendle)	v2f/edoor-pen-slat-46
46	Door/Lid UPH (Pink Pendle)	v2f/edoor-pen-pink-46
46	Door/Lid UPH (Mink Hendo)	v2f/edoor-hen-min-46
46	Door/Lid UPH (Black Hendo)	v2f/edoor-hen-blk-46
46	Door/Lid UPH (Black Hessian)	v2f/edoor-hes-blk-46
46	Door/Lid UPH (Light Hessian)	v2f/edoor-hes-lt-46
46	Door/Lid UPH (sandbach)	v2f/edoor-sanbac-46
46	Door/Lid UPH (Faux Deepa Black)	v2f/edoor-fd-blk-46
46	Door/Lid UPH (Alderly Tweed)	v2f/edoor-al-tw-46
46	Door/Lid UPH (Alderly Charcoal)	v2f/edoor-al-char-46
46	Door/Lid UPH (Berwick Dark Grey)	v2f/edoor-bw-dkgry-46
47	Footend Door/Lid HINGES	f/edoor-hng-32
48	Oversized (screw width) upper/lower hanging bracket wood screws	xl-wscrew-33
49	Mech stabilizer (left)	v2mechstbl-49
50	Mech stabilizer (right) with stop micro switch	v2upstopmswt-50
51	Down stop micro switch	v2dwnstopmswt-51
52	SPEAKER	mm-g1.02-sp-52
53	WOOFER	mm-g1.02-woof-53
54	HUB	mm-g1.02-woof-Hub-54
55	RCA Audio Cable 4.8 meters x 1	mm-g1.02-woof-Rca-55
56	Female RCA TO 3.5mm JACK SPLITTER Cable	mm-g1.02-woof-Frca-56
57	3.5mm JACK AUX Cable	mm-g1.02-woof-Jck-57
58	Power Cable x 1	mm-g1.02-woof-Pwr-58
59	AC Adapter x 1	mm-g1.02-woof-Ac-59
60	FLIP SOUND BAR	mm-g1.02-flp-sp-60
61-64	TV mounting hardware :Pan head screw M4 x 40mm (2pcs), Pan head screw M5 x 40mm (2pcs), Pan head screw M6 x 40mm (2pcs), Pan head screw M8 x 40mm (2pcs).	v2lvmnthw61-64
65	Thermoplastic Corrugated Conduit 20mm x 650mm (1pc)	v2lcon-65

NOTE: For ordering Parts item (44) and item (46). Please provide the upholstery material code refer to the upholstery material label on Foot end lid (46).