

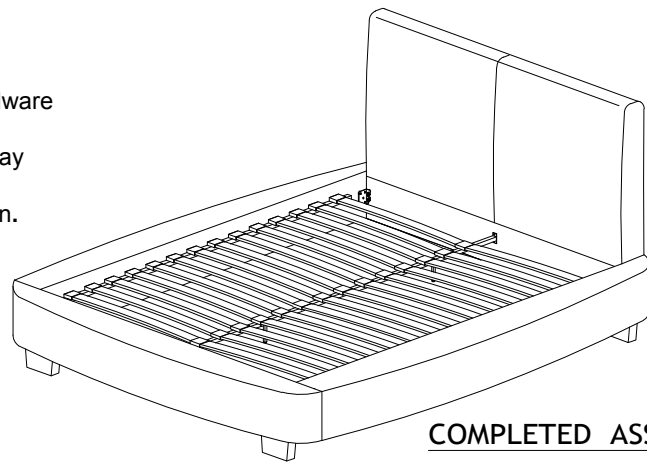
# ASSEMBLY INSTRUCTIONS

**MODEL : DIONE (DURRINGTON)**

Thanks you for purchasing this quality product. Be sure to lay all components on a soft and clean surface before assembly in order to avoid components from being scratched.

**CAUTIONS :**

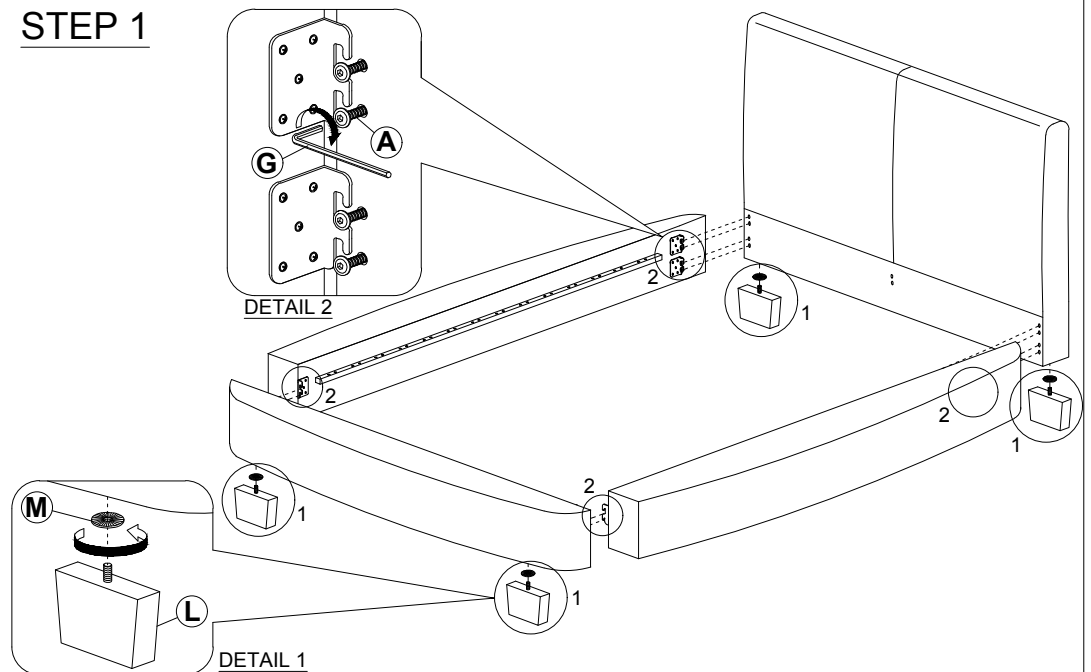
1. Check contents against list for quantity.
2. Familiarize yourself with the components and hardware by reviewing the Assembly Instructions.
3. Do not over tightened the screws and bolts as it may damage the threads.
4. Keep all hardware parts out of the reach of children.



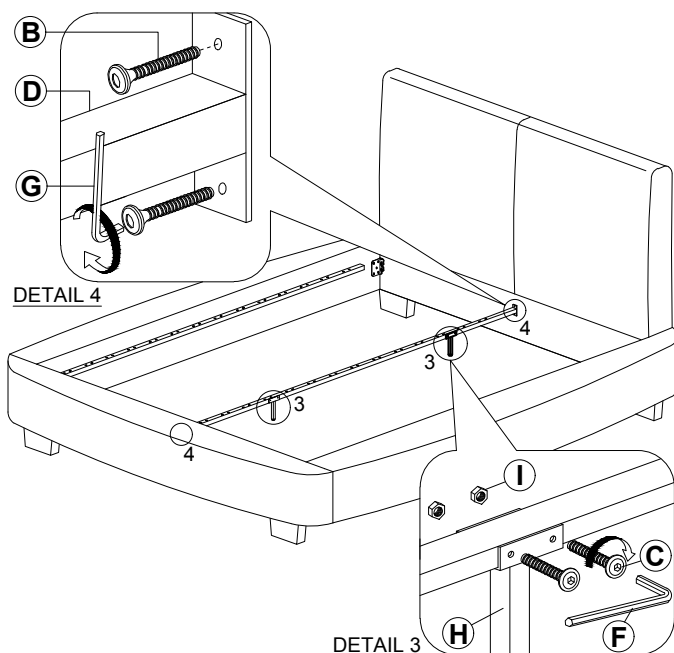
**COMPLETED ASSEMBLY**

HARDWARE LIST		
NO.	DESCRIPTION	QTY
<b>A</b>	M8 X 35MM JCBB SCREW *COME ATTACHED IN HEADBOARD -8PCS *COME ATTACHED IN FOOTBOARD -4PCS	
<b>B</b>	M8 X 25MM JCBB SCREW *COME ATTACHED IN HEADBOARD -2PCS *COME ATTACHED IN FOOTBOARD -2PCS	
<b>C</b>	M6 X 40MM JCBC SCREW	4 PCS
<b>D</b>	MIDDLE RAIL	1PC
<b>E</b>	WOOD SLAT	28 PCS
<b>F</b>	M4 ALLEN KEY	1 PC
<b>G</b>	M5 ALLEN KEY	1 PC
<b>H</b>	SUPPORT MIDDLE RAIL	2 PCS
<b>I</b>	M6 NUT	4 PCS
<b>J</b>	END CAP	28 PCS
<b>K</b>	MIDDLE CAP	14 PCS
<b>L</b>	WOODEN LEG	4 PCS
<b>M</b>	PLASTIC WASHER	4 PCS

**STEP 1**



**STEP 2**



**STEP 3**

