



# Birlea

Suppliers of inspiration

## Assembly Instructions

---

*Thank you* for  
purchasing a  
Birlea product.

For a chance to win a *Love 2 Shop* voucher simply post a picture of your new product on your preferred social channels tagging Birlea Furniture and using the hashtag **#ShareYourStyle** and **#Birlea**. One winner will be selected at random each month.

*To view our full terms and conditions please visit our website. [www.birlea.com](http://www.birlea.com)*

---

### Are you happy with your purchase?

**Yes:** That's great, we would love to hear more from you. Please leave us a review on our social media channels or Trustpilot. Your feedback will be greatly appreciated.

**No:** If for any reason there is something missing, indifferent or incorrect with your order, please contact the retailer you purchased the item from. We will work with the retailer to resolve your issue as quickly as possible.



[www.birlea.com](http://www.birlea.com)



## ASSEMBLY INSTRUCTIONS

### BELFORD 4'6" BED

**IMPORTANT: READ THESE INSTRUCTIONS CAREFULLY BEFORE ASSEMBLING OR USING YOUR BELFORD 4'6" BED FRAME.**

PLEASE KEEP THESE INSTRUCTIONS FOR FUTURE REFERENCE.

#### HEALTH & SAFETY:

DO NOT jump on this bed frame.

DO NOT use this bed frame if any parts are missing, damaged or worn.

DO NOT use this bed frame unless all fixings are secured.

Please keep small parts out of reach of children.

Always use on a level, even surface.

**WARNING:** If this bed is placed on a non-carpeted floor you must place some protection under all legs to stop the bed frame from moving. If this is not adhered to there is no guarantee if the bed frame collapses.

#### CARE & MAINTENANCE:

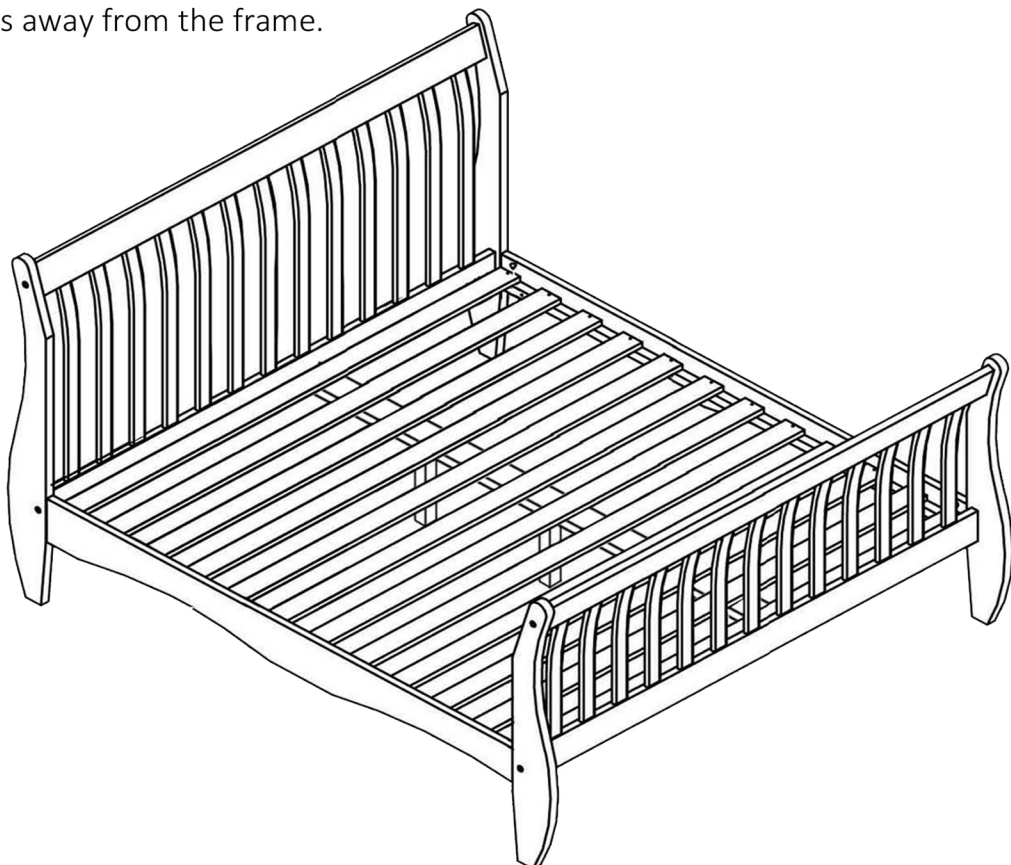
Assemble in the room of use.

Periodically check all screws & fixings to ensure they are secure.

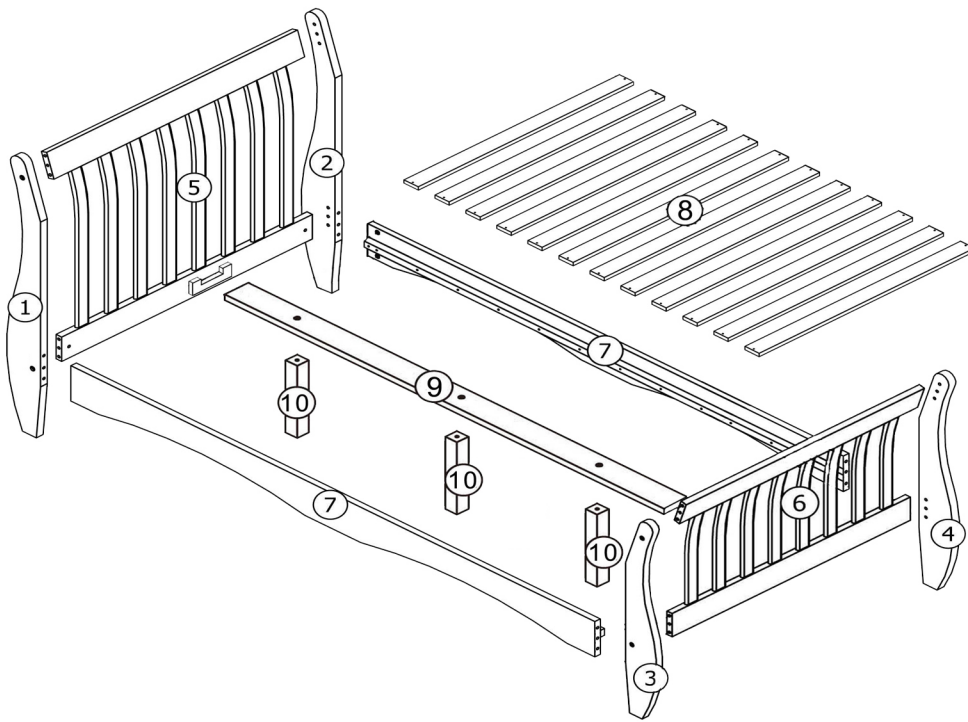
DO NOT push the bed frame as this will damage the legs.

Always lift the bed with two people to reposition.

Keep any sharp objects away from the frame.



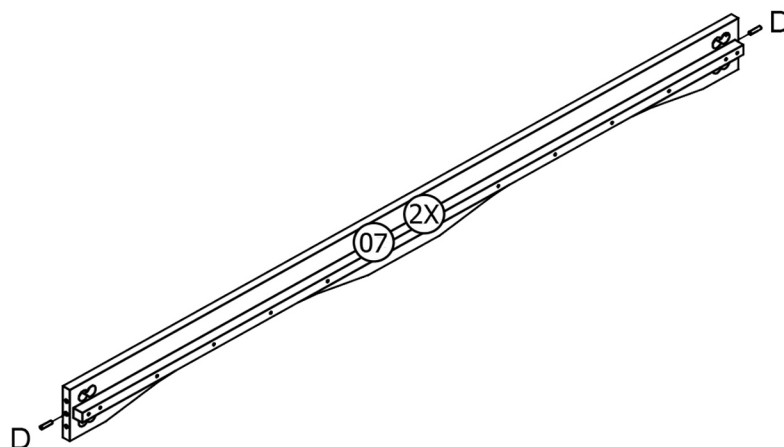
[www.birlea.com](http://www.birlea.com)



Parts List				Hardware List (found in box 1)			
Part	Description	Box	Qty	Part	Description		Qty
1	High Left Leg	2	1	A	60mm Bolt		4
2	High Right Leg	2	1	B	Nut		4
3	Low Left Leg	2	1	C	70mm Screw		4
4	Low Right Leg	2	1	D	30mm Dowel		20
5	Headend Panel	1	1	E	50mm Screw		8
6	Footend Panel	1	1	F	Steel Gasket		8
7	Side Rail	2	2	G	Allen Key		1
8	Slat	1	12	H	Allen Key		1
9	Middle Rail	2	1	I	30mm Screw		30
10	Middle Support Leg	1	2	J	Plastic Cap		8
				K	60mm Screw		3

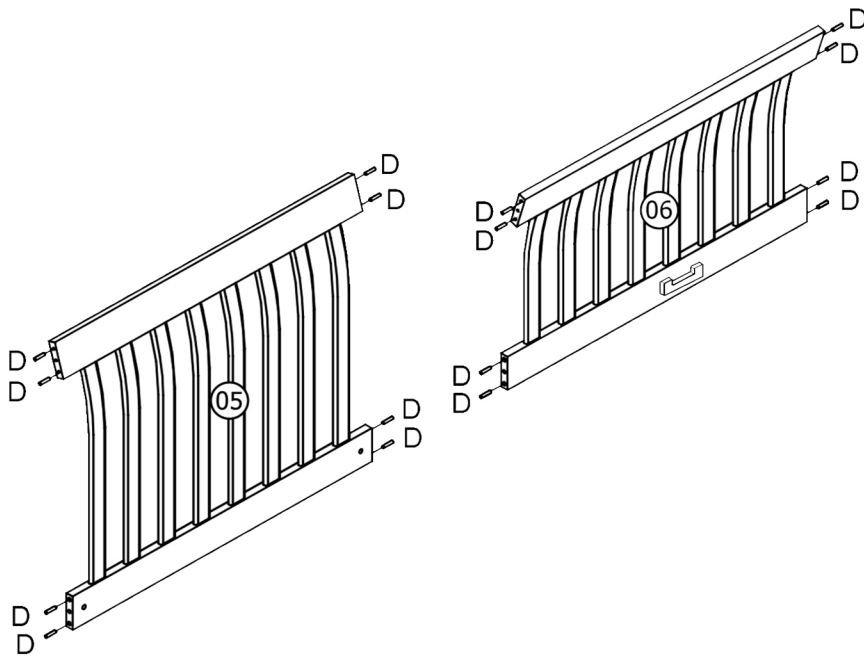
\*\* You will need a screwdriver and a small mallet (not provided).

Step 1: Insert hardware part D to the side rails (7) using a small mallet (not provided).  
DO NOT use any power tools as this may damage the frame and will invalidate any claim.



Step 2: Insert hardware part D to the headend panel (5) and footend panel (6) using a small mallet (not provided).

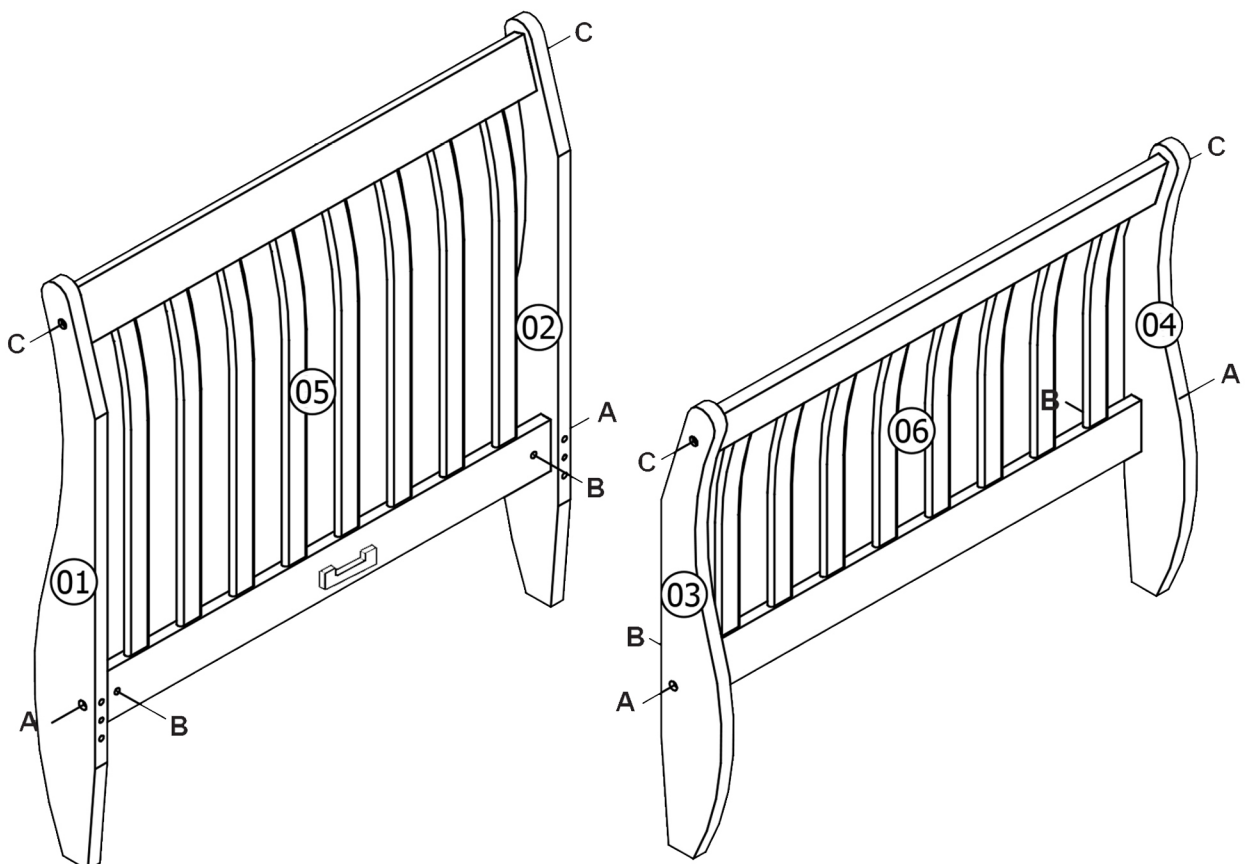
DO NOT use any power tools as this may damage the frame and will invalidate any claim.



**Step 3:** Attach the high left leg(1) and high right leg(2) to the headend panel(5) using hardware parts C and A, B.

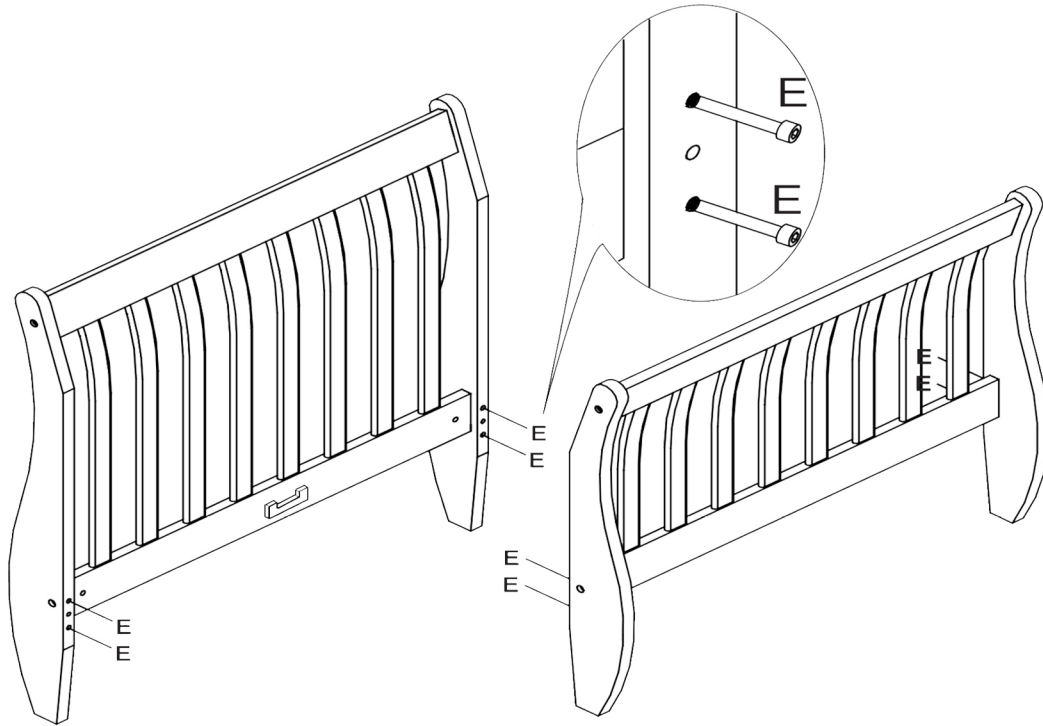
Attach the low left leg(3) and low right leg(4) to the footend panel(6) using hardware parts C and A, B.

**DO NOT** use any power tools as this may damage the frame and will invalidate any claim.



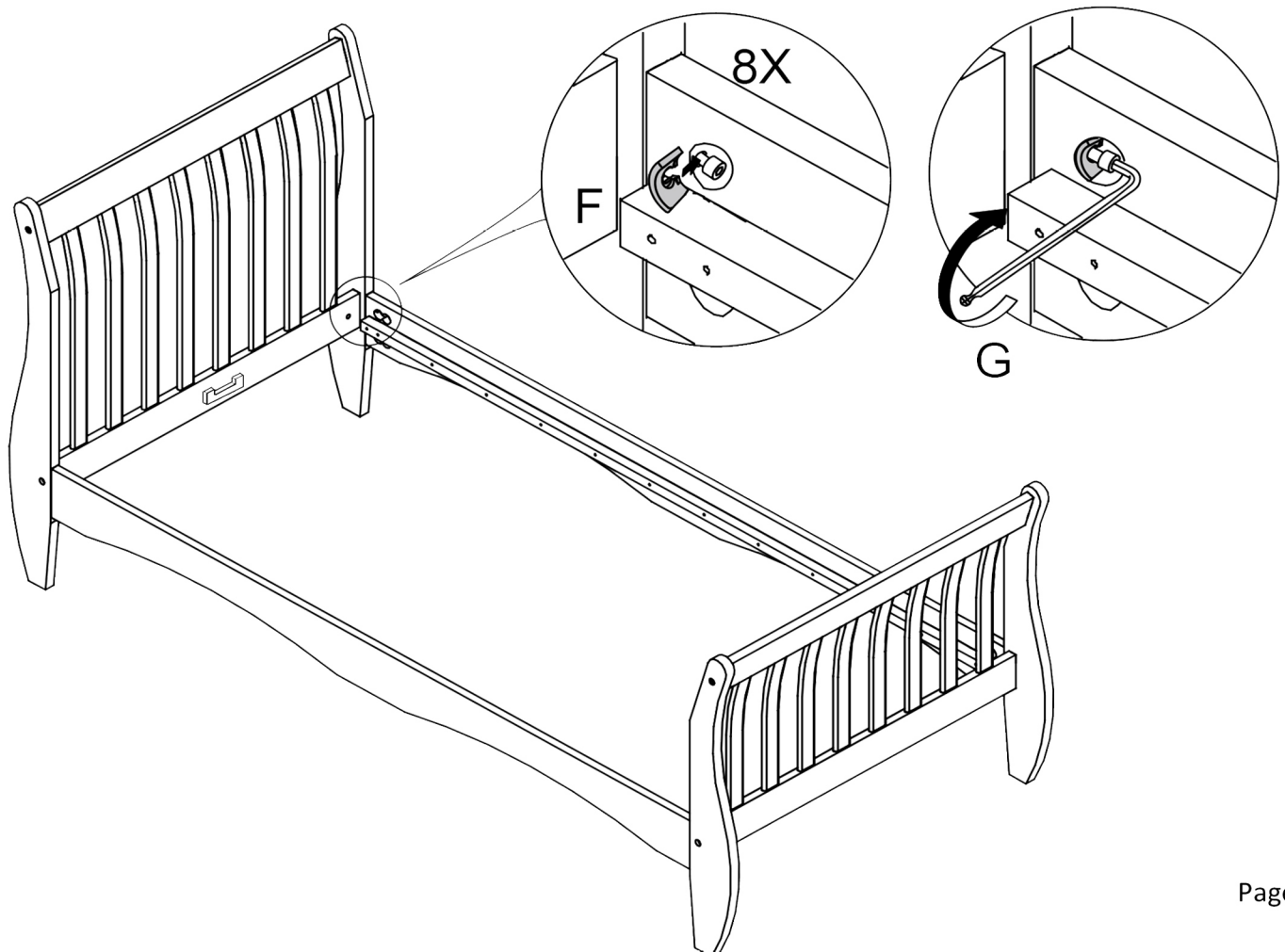
**Step 4:** Screw up the hardware parts E to the legs.

**DO NOT** use any power tools as this may damage the frame and will be invalidate any claim.



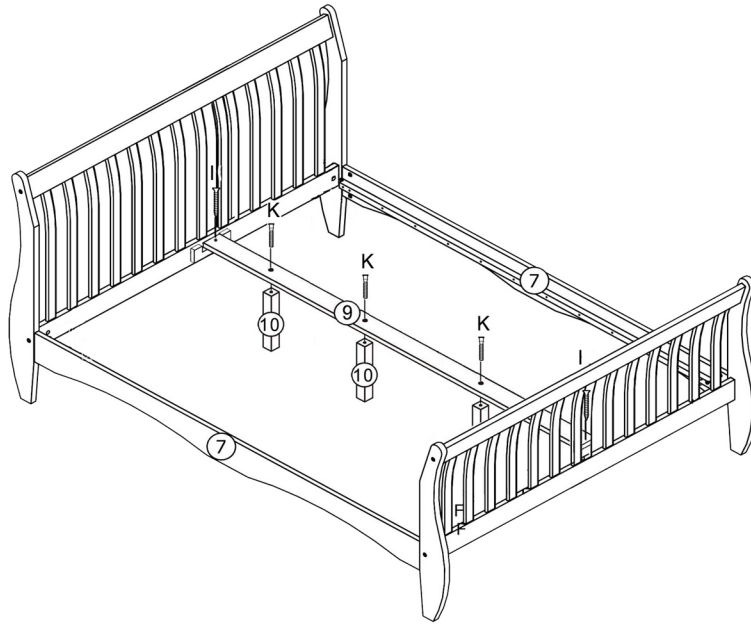
**Step 5:** Attach the side rails(7)to th headend posts using hardware parts F.

**DO NOT** use any power tools as this may damage the frame and will invalidate any claim.



**Step 6:** Attach middle rail (9) and middle support legs (10) to the Headend posts using hardware I and H.

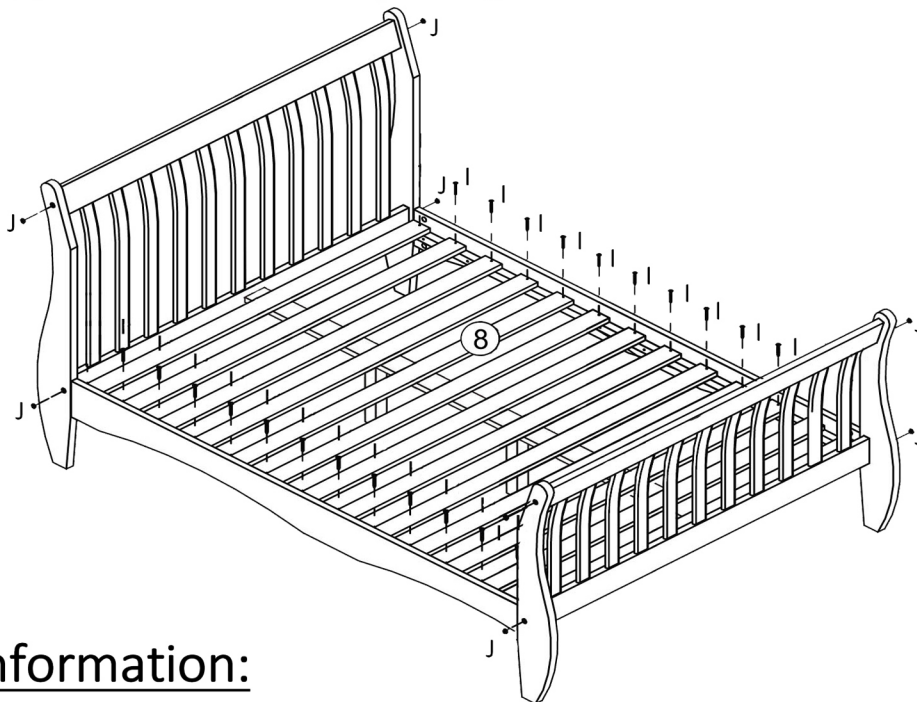
**DO NOT** use any power tools as this may damage the frame and will invalidate any claim.



**Step 7:** Fix the slats (8) to the side rails (7) using hardware I with screwdriver (not provided).

Make sure to start from the ends and work towards the middle.

**DO NOT** use any power tools as this may damage the frame and will invalidate any claim.



### Additional Information:

- For complete product information, images and dimension diagrams please visit the website [www.birlea.com](http://www.birlea.com)
- If you have any issues with your item please contact the retailer directly you purchased it from who will be able to resolve any issues with Birlea.
- Why don't you send us photos of your assembled furniture to [info@birlea.com](mailto:info@birlea.com) to be shared in our #birleahome feature on Instagram.



**Birlea**

Suppliers of inspiration