



# Birlea

Suppliers of inspiration

## Assembly Instructions

---

*Thank you* for  
purchasing a  
**Birlea** product.

For a chance to win a *Love 2 Shop* voucher simply post a picture of your new product on your preferred social channels tagging Birlea Furniture and using the hashtag **#ShareYourStyle** and **#Birlea**. One winner will be selected at random each month.

To view our full terms and conditions please visit our website. [www.birlea.com](http://www.birlea.com)

---

### Are you happy with your purchase?

**Yes:** That's great, we would love to hear more from you. Please leave us a review on our social media channels or Trustpilot. Your feedback will be greatly appreciated.

**No:** If for any reason there is something missing, indifferent or incorrect with your order, please contact the retailer you purchased the item from. We will work with the retailer to resolve your issue as quickly as possible.



[www.birlea.com](http://www.birlea.com)

**ASSEMBLY INSTRUCTIONS**  
**PORTLAND BUNK BED PINE**

**IMPORTANT: READ THESE INSTRUCTIONS CAREFULLY BEFORE ASSEMBLING OR USING YOUR PORTLAND PINE BUNK BED FRAME.**

PLEASE KEEP THESE INSTRUCTIONS FOR FUTURE REFERENCE.

**HEALTH & SAFETY:**

DO NOT jump on this bed frame.

This bed has not been designed or constructed as play equipment.

DO NOT use this bed frame if any parts are missing, damaged or worn.

DO NOT use this bed frame unless all fixings are tightly secured.

Always use on a level, even surface.

Please keep small parts out of reach of children.

Be aware of the danger of young children (under 6) falling from the upper bunk. It is not advisable for children under the age of 6 to sleep on the top bunk.

This bed is tested to European safety standard BS EN 747.

**CAUTION:** There is the risk of strangulation to children from items such as string, ropes, cords, harnesses and belts hanging from the bed frame.

**WARNING:** Children can become trapped between the bed and the wall. To avoid risk of serious injuries the gap between the top rail and the wall should not exceed 75 mm, or it should be more than 230 mm.

**WARNING:** If this bed is placed on a non-carpeted floor you must place some protection under all legs to stop the bed frame from moving. If this is not adhered to there is no guarantee if the bed frame collapses.

**CARE & MAINTENANCE:**

Assemble in the room of use.

Periodically check all screws & fixings to ensure they are secure.

DO NOT push the bed frame as this will damage the legs.

Always lift the bed with two people to reposition.

Keep any sharp objects away from the frame.

Avoid exposing the frame to excessive heat or direct sunlight as this can cause cracking and deterioration of the product colour.

The slats provided are an integral part of the bed and must be fitted as shown.

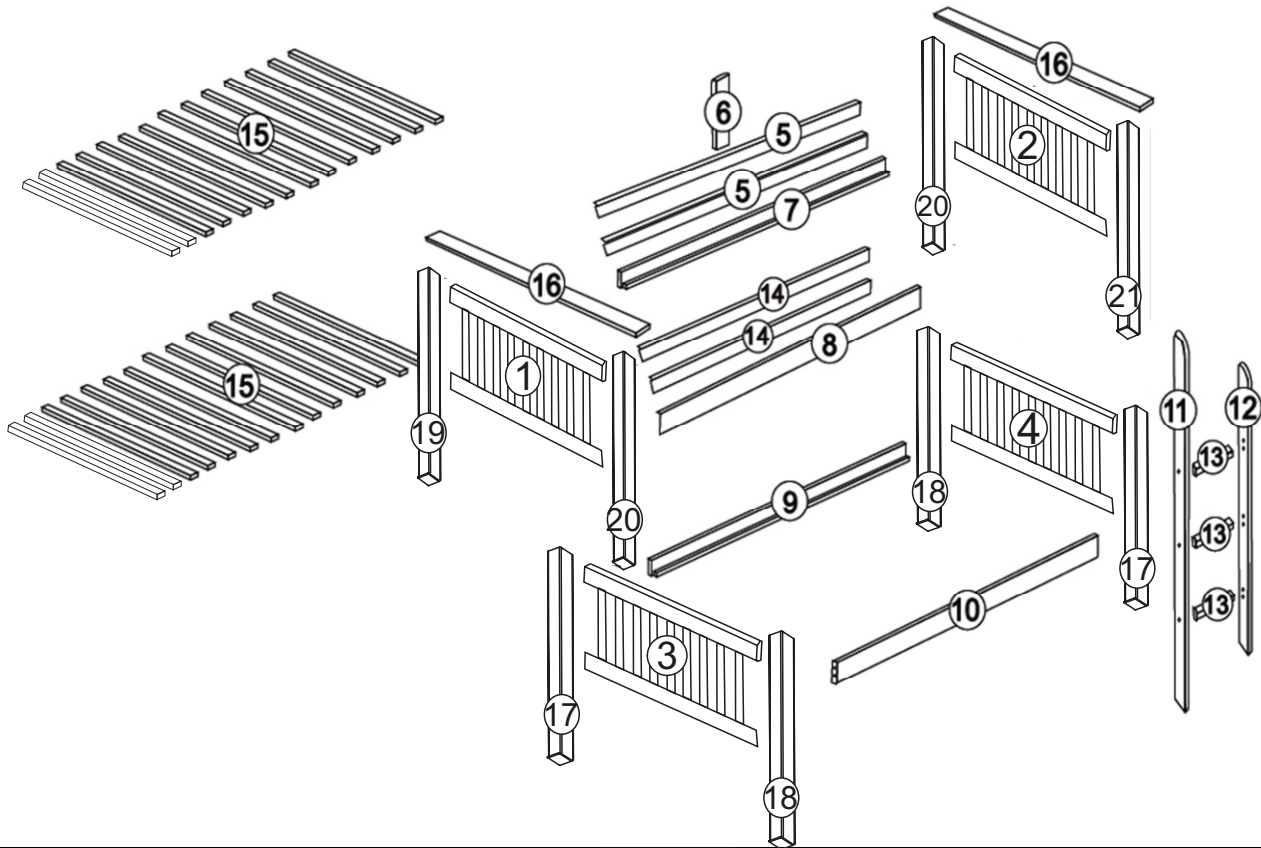
Periodically dust the frame lightly with a soft, clean cloth. DO NOT use any silicon based furniture polishes.



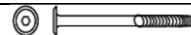
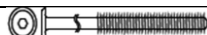
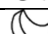
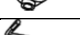
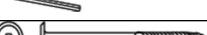

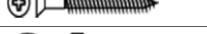



Any spills should be removed immediately with a damp cloth.

Recommended maximum mattress height for top bunk is 160 mm.



[www.birlea.com](http://www.birlea.com)



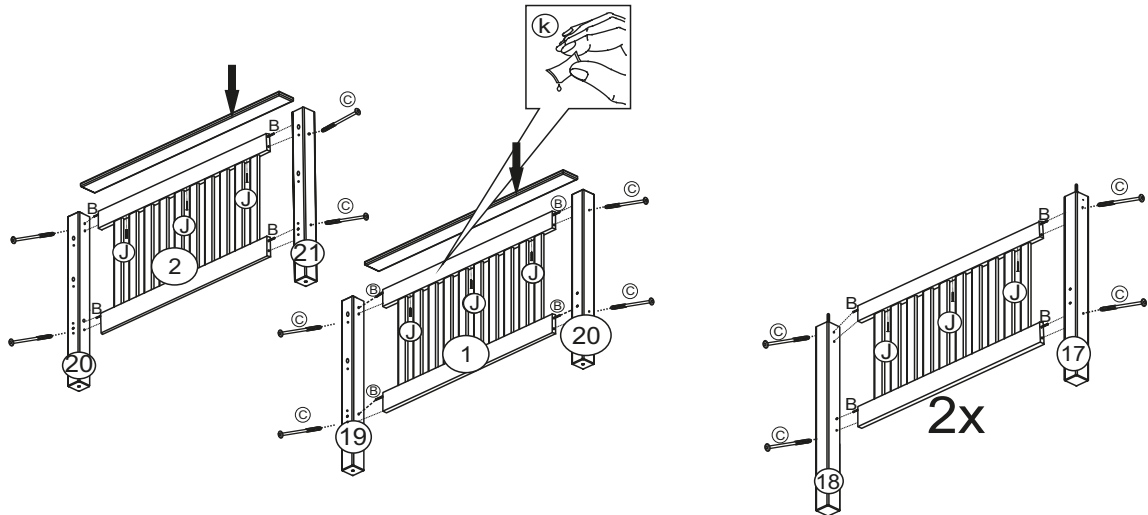
Parts List				Hardware List (found in box 1)		
Part	Description	Box	Qty	Part	Description	Qty
1	Top Headend	1	1	A	15 x 90 mm Wooden Dowel 	4
2	Top Footend	1	1	B	10 x 40 mm Wooden Dowel 	44
3	Bottom Headend	1	1	C	7 x 90 mm Screw 	22
4	Bottom Footend	1	1	D	¼" x 90 mm Black Screw 	8
5	Back Guard Rail	2	2	E	¼" Elliptical Nut 	8
6	Back Rail Support	2	1	F	Allen Key 	1
7	Top Back Side Rail	2	1	G	7 x 50 mm Screw 	12
8	Top Front Side Rail	2	1	H	4 x 35 mm CC Screw 	64
9	Bottom Back Side Rail	2	1	I	4 x 35 mm FL Screw 	3
10	Bottom Front Side Rail	2	1	J	7 x 80 mm Screw 	6
11	Left Ladder Panel	2	1	K	Glue 	2
12	Right Ladder Panel	2	1	L	Wooden Spacer 	2
13	Step	2	3	** You will need a screwdriver and small mallet (not provided).		
14	Front Guard Rail	2	2			
15	Slat	3	28			
16	Plinth	2	2			
17	Bottom foot	1	2			
18	Bottom foot	1	2			
19	Upper foot	1	1			
20	Upper foot	1	2			
21	Upper foot	1	1			



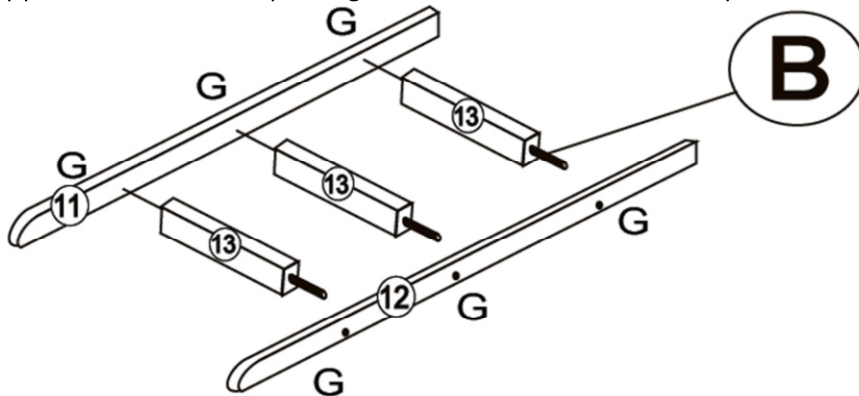
# Birlea

Suppliers of inspiration

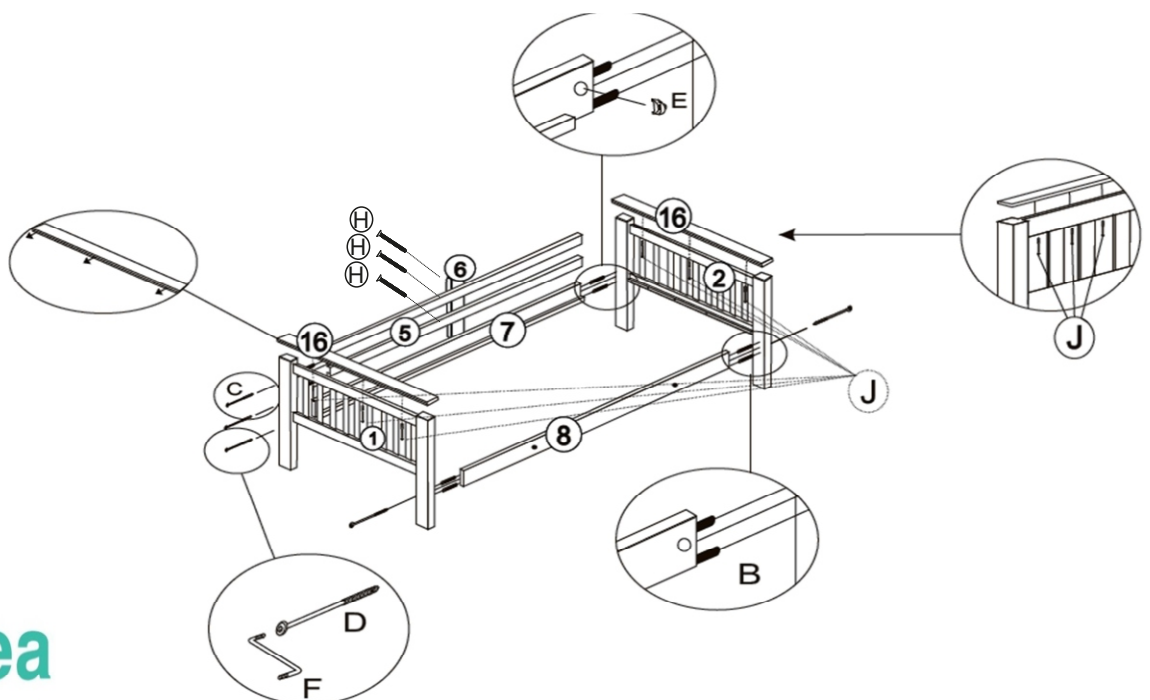
Step 1 Assemble headboards and footboards using parts J, C, B and k.



Step 2: Assemble left ladder panel (11) and Right ladder panel (12) to the steps (13) using hardware parts B, F and G. DO NOT use any power tools as this may damage the frame and will invalidate any claim.

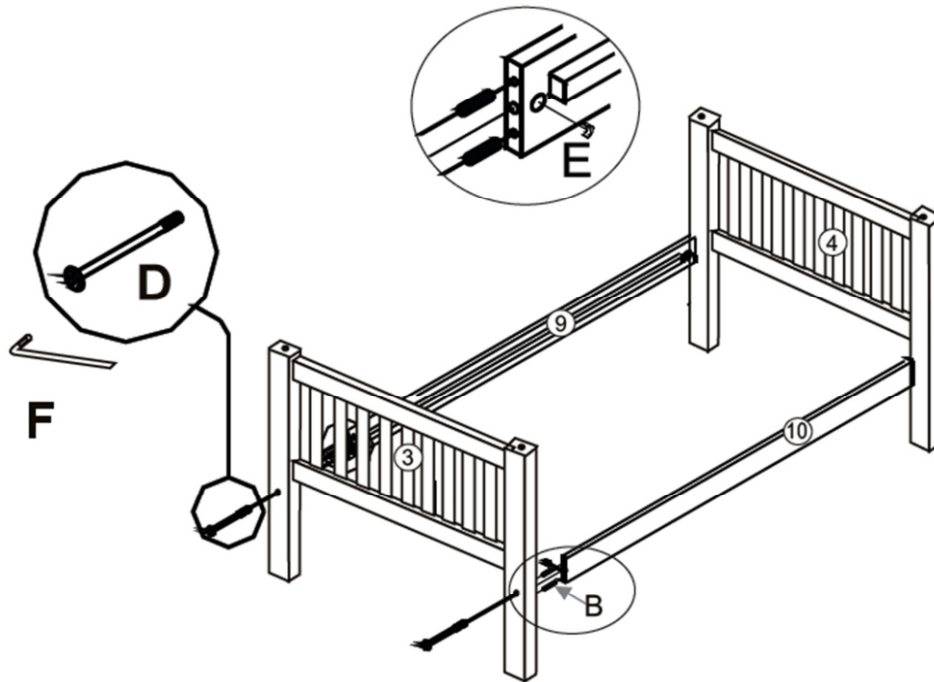


Step 3: Attach the plinths (16) to the top headend (1) and top footend (2) using hardware parts F and J. Attach the top back side rail (7) and top front side rail (8) to the bed ends using hardware parts B, D, E and F. Attach the back guard rails (5) using hardware parts C and F. DO NOT use any power tools as this may damage the frame and will invalidate any claim.

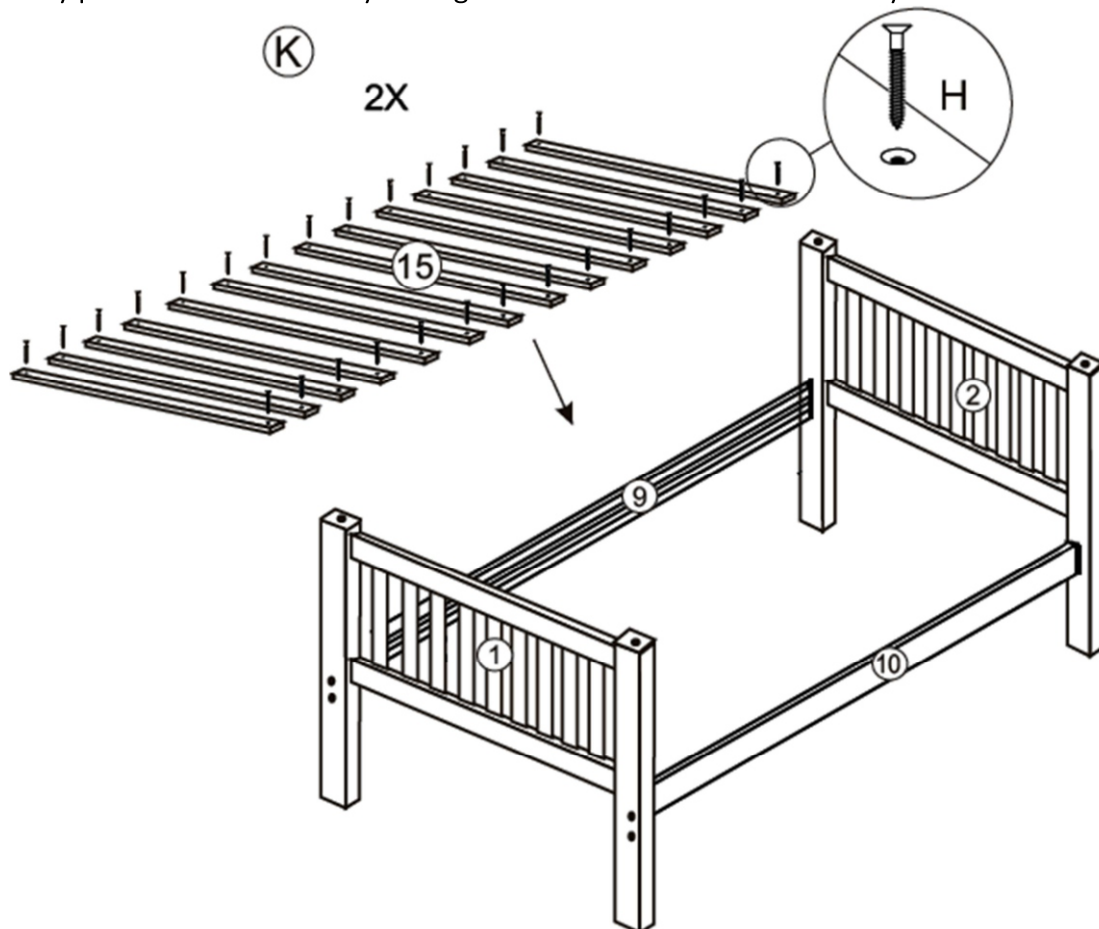


Step 4: Connect the bottom headend (3) and bottom footend (4) with the bottom back side rail (9) and bottom front side rail (10) using hardware parts B, D, E and F.

DO NOT use any power tools as this may damage the frame and will invalidate any claim.

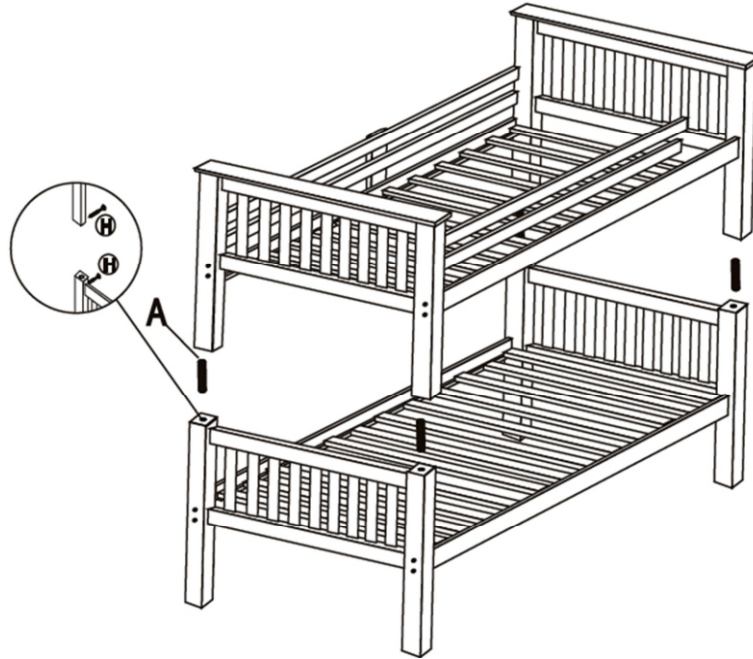


Step 5: Fix the slats (15) to both frames using hardware parts H and K and a screwdriver (not provided). DO NOT use any power tools as this may damage the frame and will invalidate any claim.

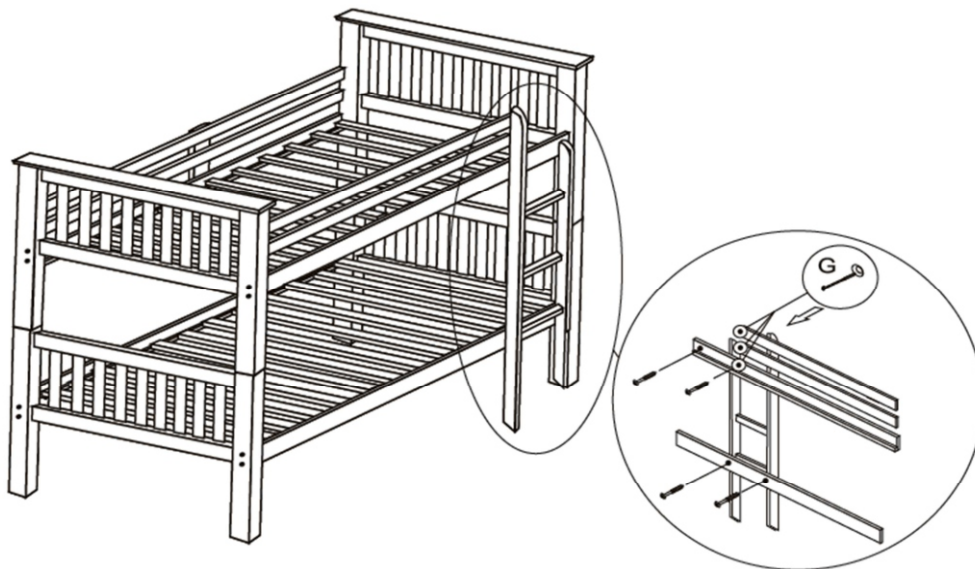




Step 6: Connect the two frames together using hardware parts A and H with a screwdriver (not provided). DO NOT use any power tools as this may damage the frame and will invalidate any claim.



Step 7: Attach the ladder using hardware parts F and G. DO NOT use any power tools as this may damage the frame and will invalidate any claim.



### Additional Information:

- For complete product information, images and dimension diagrams please visit the website [www.birlea.com](http://www.birlea.com)
- If you have any issues with your item please contact the retailer directly you purchased it from who will be able to resolve any issues with Birlea.
- Why don't you send us photos of your assembled furniture to [info@birlea.com](mailto:info@birlea.com) to be shared in our #birleahome feature on Instagram.