

CARMELA HEADBOARD ALL SIZES

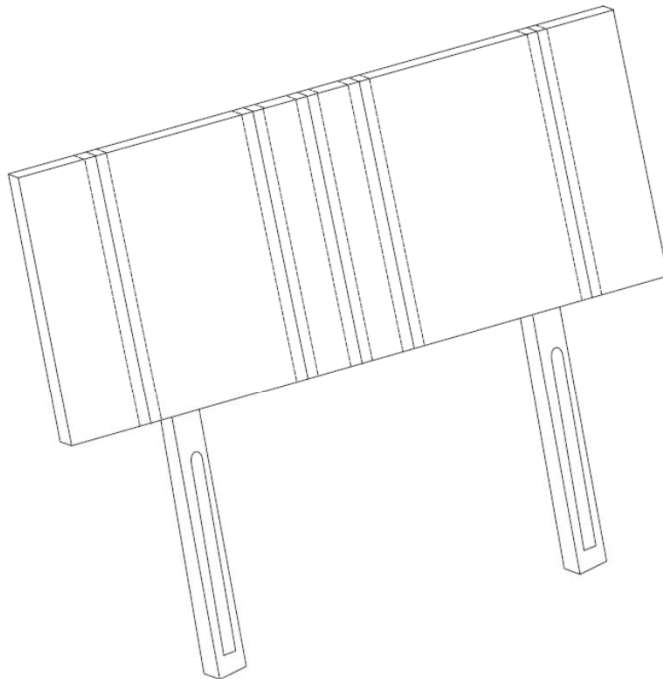
ASSEMBLY INSTRUCTIONS



Important

Please inspect all items carefully before assembling.
If for any reason you need to return this item,
you must return it in its original packaging.
Assembled items cannot be returned

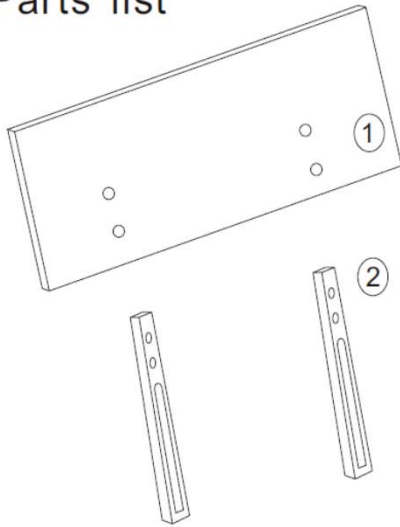
**IMPORTANT NOTE: *PLACE ALL PARTS ON A CLEAN AND SMOOTH SURFACE SUCH AS A RUG OR CARPET TO AVOID THE PARTS FROM BEING SCRATCHED.
*BEFORE YOU BEGIN KINDLY FOLLOW THE ASSEMBLY INSTRUCTIONS STEP BY STEP.**



CARE INSTRUCTIONS

- Wipe clean using a soft damp cloth followed by a dry cloth.
- Do not use abrasives or cleaning products which may contain ammonia or solvents.
- Take care when handling or moving the furniture. Careless handling can damage furniture, try to lift rather than drag.

Parts list



Hardware list

Label	Picture	Description	Qty
A		Bolt	4
B		Spring Washer	4
C		Washer	4

Tool list

Label	Picture	Description	Qty
T-1		Allen key	1

Assembly steps

Step 1

A Bolt*4	B Spring Washer*4	C Washer*4
-----------	--------------------	-------------

T-1 Allen key

