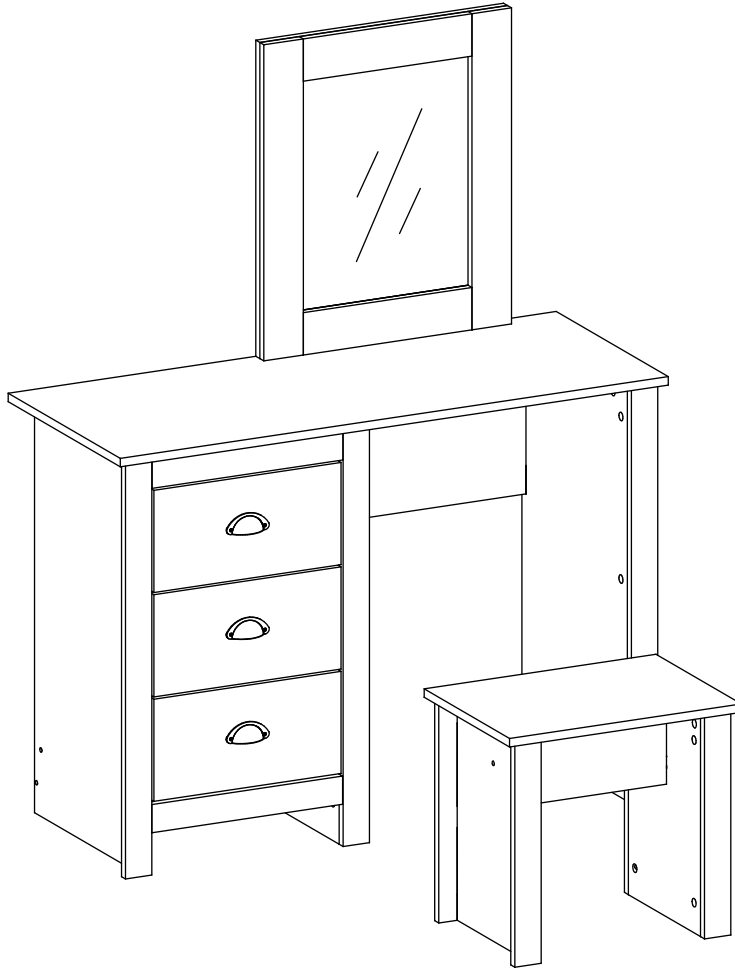


LANCASTER DRESSING TABLE ASSEMBLY INSTRUCTIONS

Thank you for purchasing the **LANCASTER DRESSING TABLE with STOOL**. Please read the instructions carefully to ensure safe operation of the product.



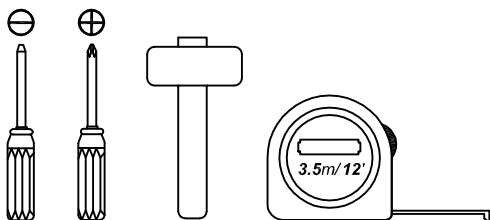
Size: (W)1040 x (D)450 x (H)1310mm
Colour : Bianco Oak / Lancaster Grey

PLEASE READ this sheet prior to assembly to familiarise yourself with the various stages of construction.

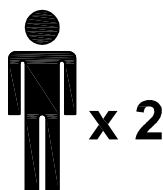
Carefully open the pack supplied and check the contents against the parts and fittings check list. Do not destroy any of the packaging until you are certain that you have all the necessary parts for the assembly.

CAUTION: There are small components used in the construction of this unit. These loose items should be kept away from young children whilst assembling your unit to avoid the danger of choking hazards.

Tools Required



Person Required



Approximate Assembly Time



Batch No : PO# 3491

Page 1 of 21

V1 4/18

IMPORTANT - READ CAREFULLY - RETAIN THESE INSTRUCTIONS FOR FUTURE REFERENCE.

INFORMATION

- The Stool is intended for a maximum weight of **17 Stone**. It is recommended that this weight is exceeded.
- The Dresser is intended to for a maximum weight of 20kg spread evenly throughout the product do not exceed this weight
- Due to the size of this product we recommend that it is assembled in the room intended for use.
- When you are ready to start, make sure that you have the right tools, plenty of space and a clean, dry area for assembly.
- Unwrap all packaging materials and place the components on top of the carton box or on a clean floor to prevent it from scratching.
- Check the pack and make sure you have all the parts listed.
- Ensure that this product is fully assembled as illustrated before use.
- Check all screws or bolts are tightened and inspect regularly
- This product should only be used on firm, level ground.
- Keep small parts out of reach of children.
- Make sure the legs remain in contact with the ground.
- Tools not included.

WARNINGS

- DO NOT use power tools to construct this product.
- DO NOT tighten screws until fully assembled.
- DO NOT over tighten screws or bolts.
- DO NOT use this product if parts are missing, damaged or worn.
- DO NOT stand on the stool.
- We recommend the use of the wall strap provided for safety reasons. N.B. Wall fixings are not included -please source suitable fixings for your wall type. If in doubt please consult a qualified tradeperson. **Warning:** Always ensure the area to be drilled is free from hidden electrical wires, water and gas pipes.
- It is essential that this unit is fixed to a wall with the fixings provided.

CARE INFORMATION

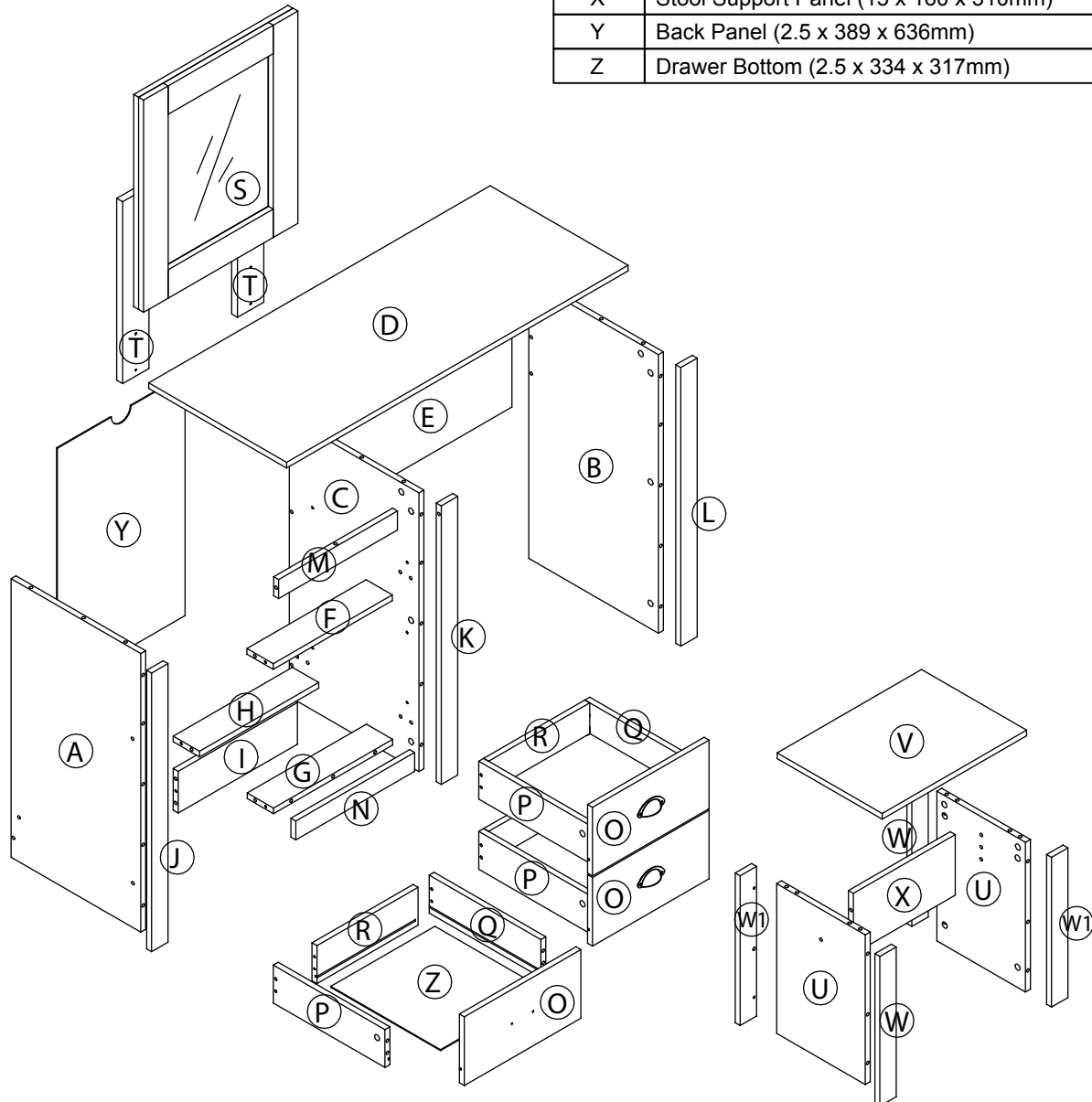
- Never use scourers, abrasives or chemical cleaners.
- To clean wipe with a sponge and warm soapy water. Do not use solvent based cleaners or detergents as they can bleach or damage the product.
- Do not place Hot items or liquids directly onto table surface. Always use suitable heat resistant mats.
- Solvent based liquids such as nail Polish remover can damage the surface of the table top

Please check the pack contents before assembling the product. If any components are missing, please contact your retailer. The fittings pack contains small items that should be kept away from small children.

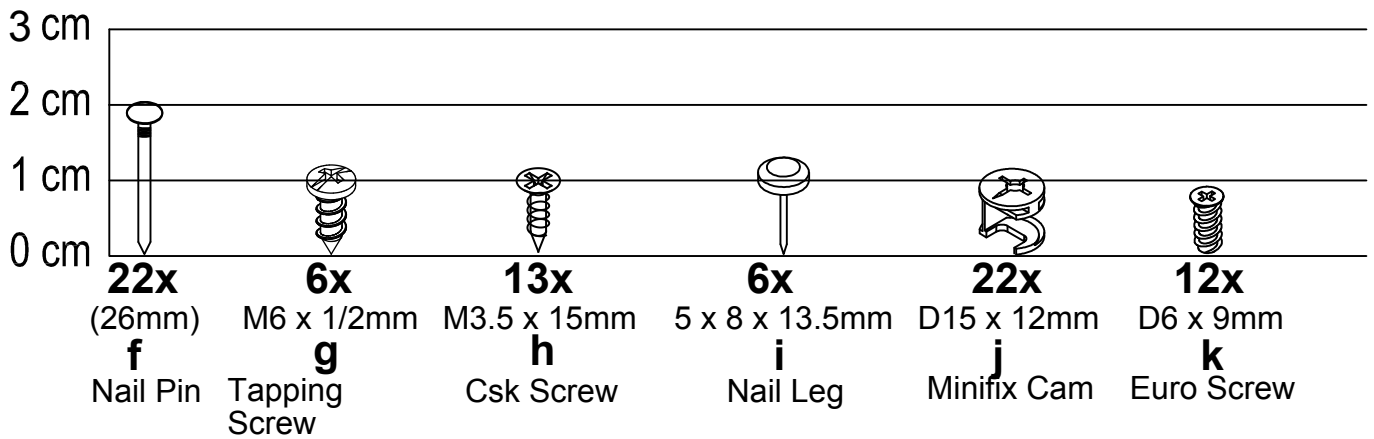
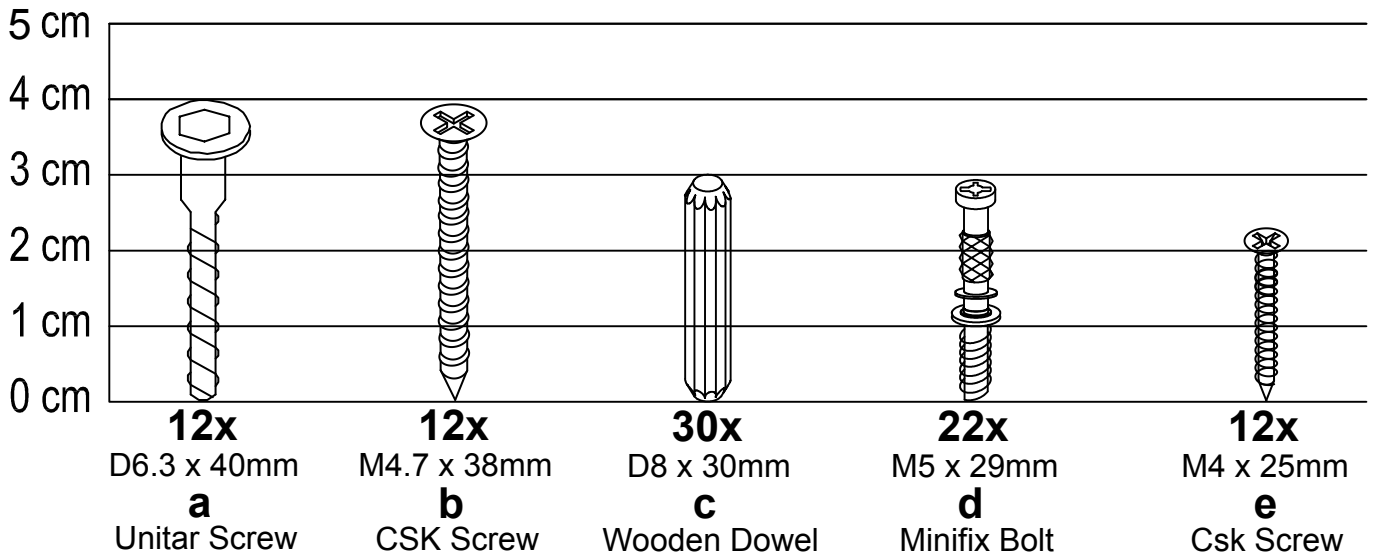
Parts

CODE	PART NAME	QTY
A	Side Panel (L) (15 x 395 x 735mm)	1
B	Side Panel (R) (15 x 395 x 735mm)	1
C	Center Panel (15 x 395 x 735mm)	1
D	Dresser Top Panel (15 x 420 x 1040mm)	1
E	Back Panel (L) (15 x 295 x 532mm)	1
F	Front Support Bar (15 x 80 x 363mm)	1
G	Bottom Bar (15 x 80 x 363mm)	1
H	Bottom Bar (15 x 80 x 363mm)	1
I	Back Support Bar (15 x 110 x 363mm)	1
J	Front Panel (L) (15 x 50 x 735mm)	1
K	Front Panel (M) (15 x 50 x 735mm)	1
L	Front Panel (R) (15 x 50 x 735mm)	1

CODE	PART NAME	QTY
M	Front Support Bar (15 x 50 x 362mm)	1
N	Front Support Bar (15 x 50 x 362mm)	1
O	Drawer Front (15 x 181 x 355mm)	3
P	Drawer Side (L) (15 x 100 x 340mm)	3
Q	Drawer Side (R) (15 x 100 x 340mm)	3
R	Drawer Back (15 x 100 x 308mm)	3
S	Mirror Panel (30 x 470 x 560mm)	1
T	Mirror Support (18 x 80 x 400mm)	2
U	Stool Side Panel (15 x 270 x 395mm)	2
V	Stool Top Panel (15 x 320 x 440mm)	1
W	Stool Front Panel (15 x 50 x 395mm)	2
W1	Stool Front Panel (15 x 50 x 395mm)	2
X	Stool Support Panel (15 x 160 x 310mm)	1
Y	Back Panel (2.5 x 389 x 636mm)	1
Z	Drawer Bottom (2.5 x 334 x 317mm)	3



Fixings (to scale)



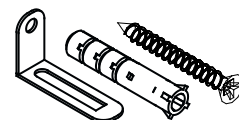
Fixings (not to scale)



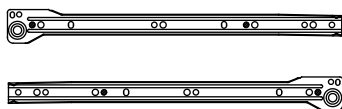
3x
(64hole mm)
l
Poket Handle



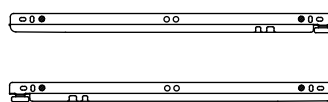
10x
(D-19mm)
m
Round Sticker



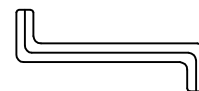
1Sets
n
L-Mounting Bracket +
Wall Plug + M4 x 38mm



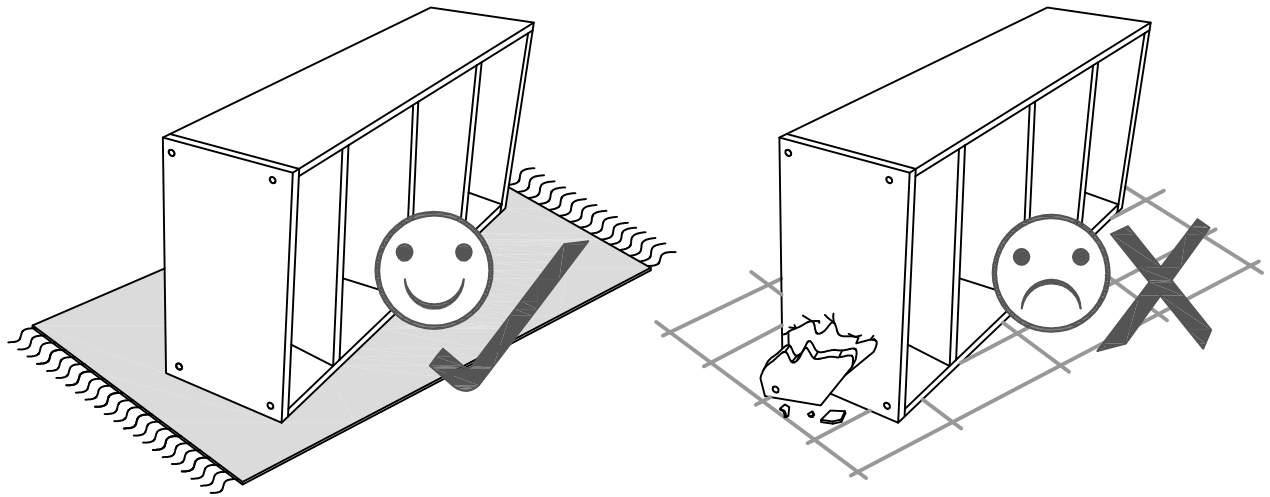
3x
(350 mm)
o
Drawer Slide



3x
(350 mm)
p
Drawer Slide

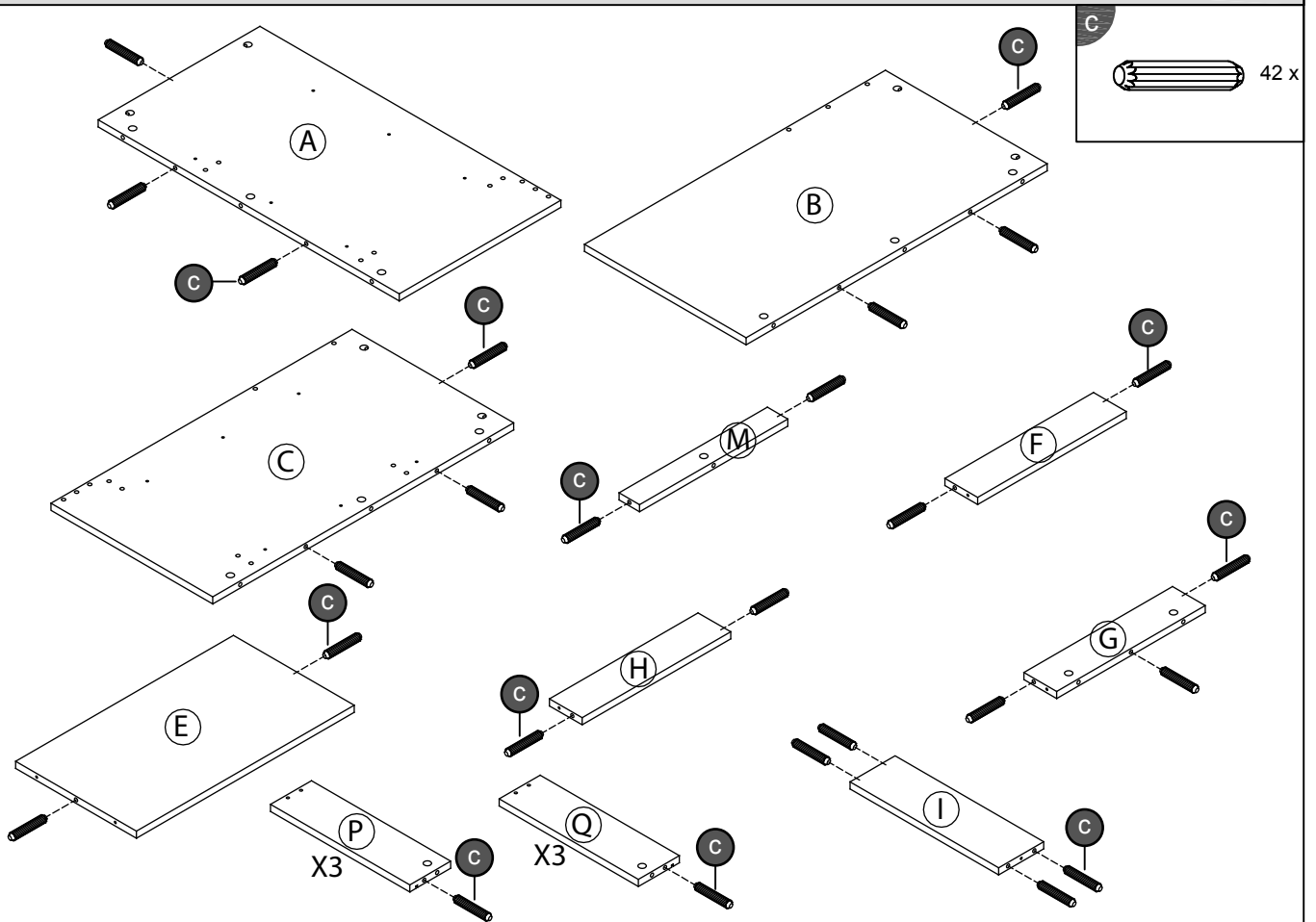


1x
M4
q
Allen Key



Layout Parts on Soft Surface

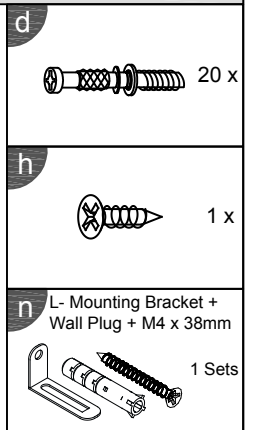
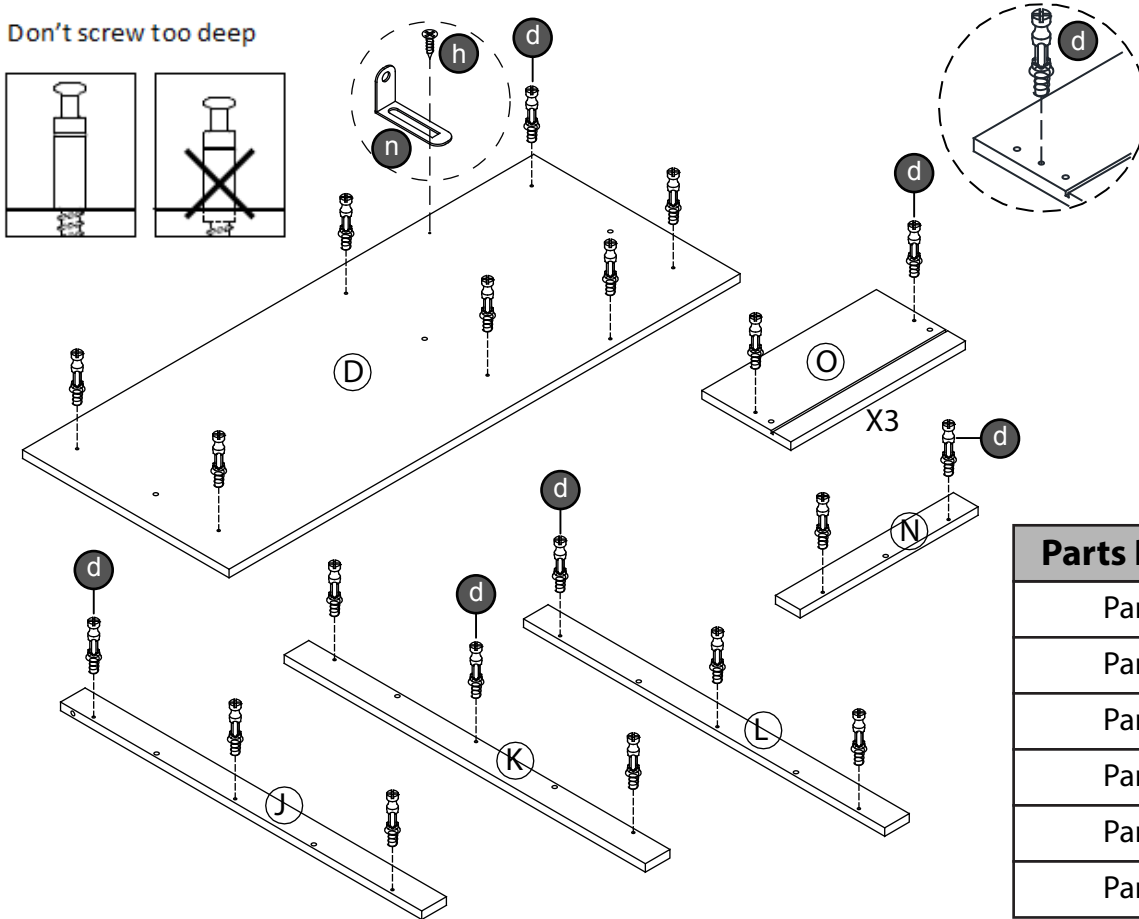
STEP 1



Parts Required	Qty	Parts Required	Qty	Parts Required	Qty
Panel (A)	1	Panel (G)	1	Panel (Q)	3
Panel (B)	1	Panel (H)	1		
Panel (C)	1	Panel (I)	1		
Panel (E)	1	Panel (M)	1		
Panel (F)	1	Panel (P)	3		

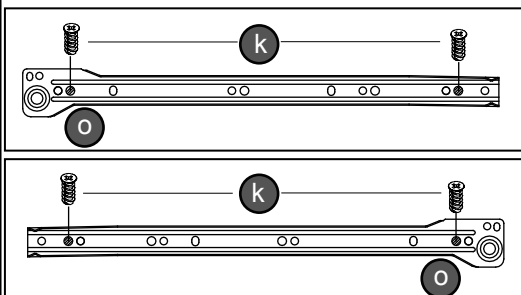
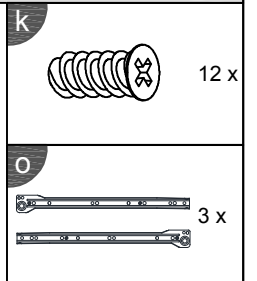
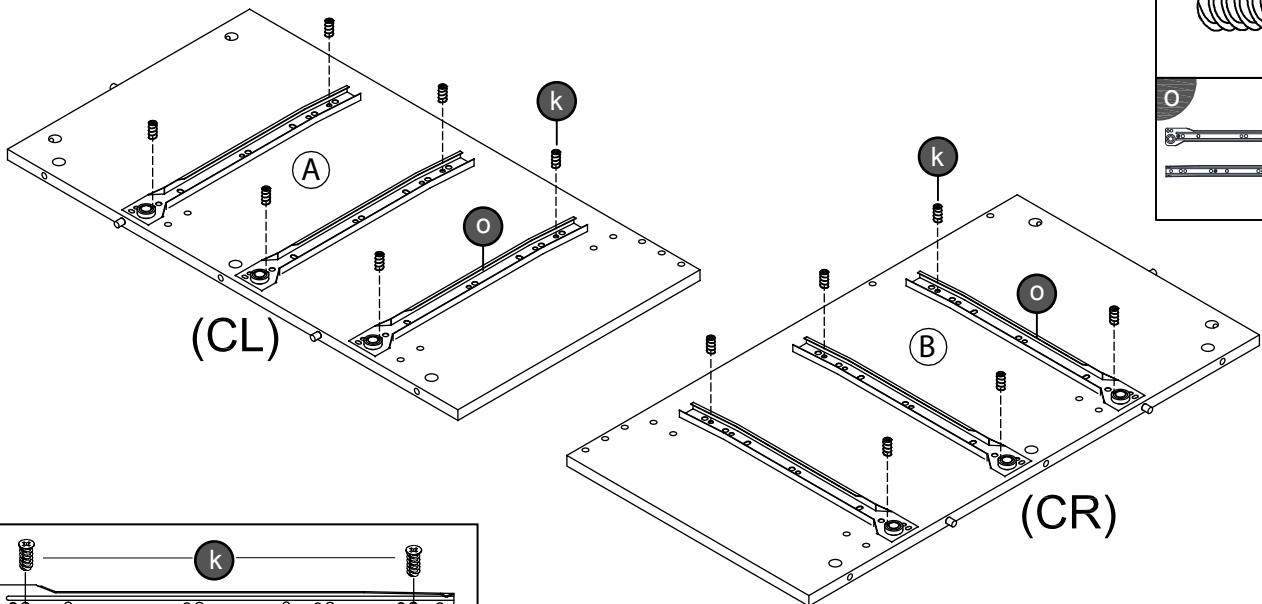
STEP 2

Don't screw too deep



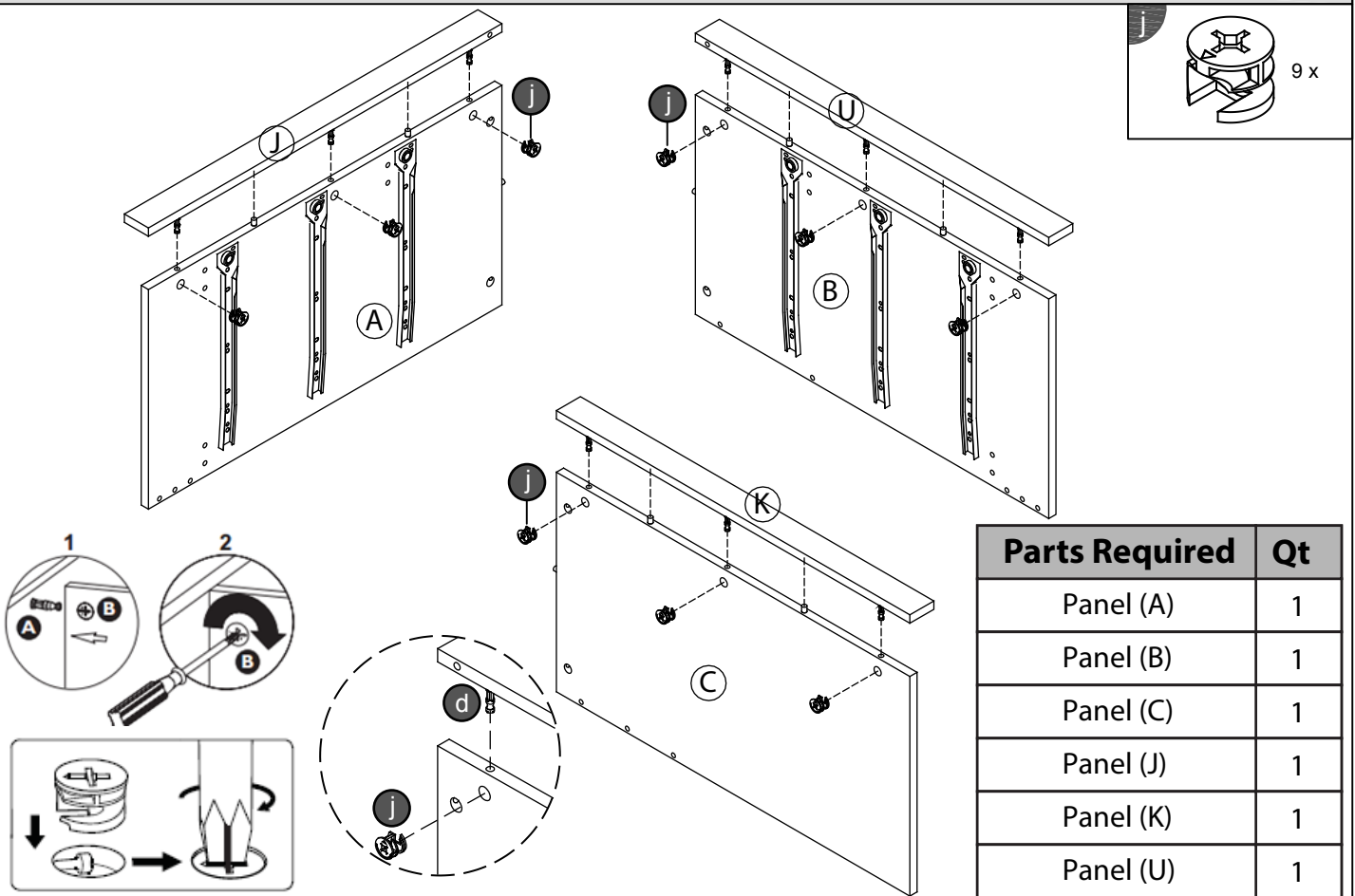
Parts Required	Qty
Panel (D)	1
Panel (J)	1
Panel (K)	1
Panel (L)	1
Panel (N)	1
Panel (O)	3

STEP 3



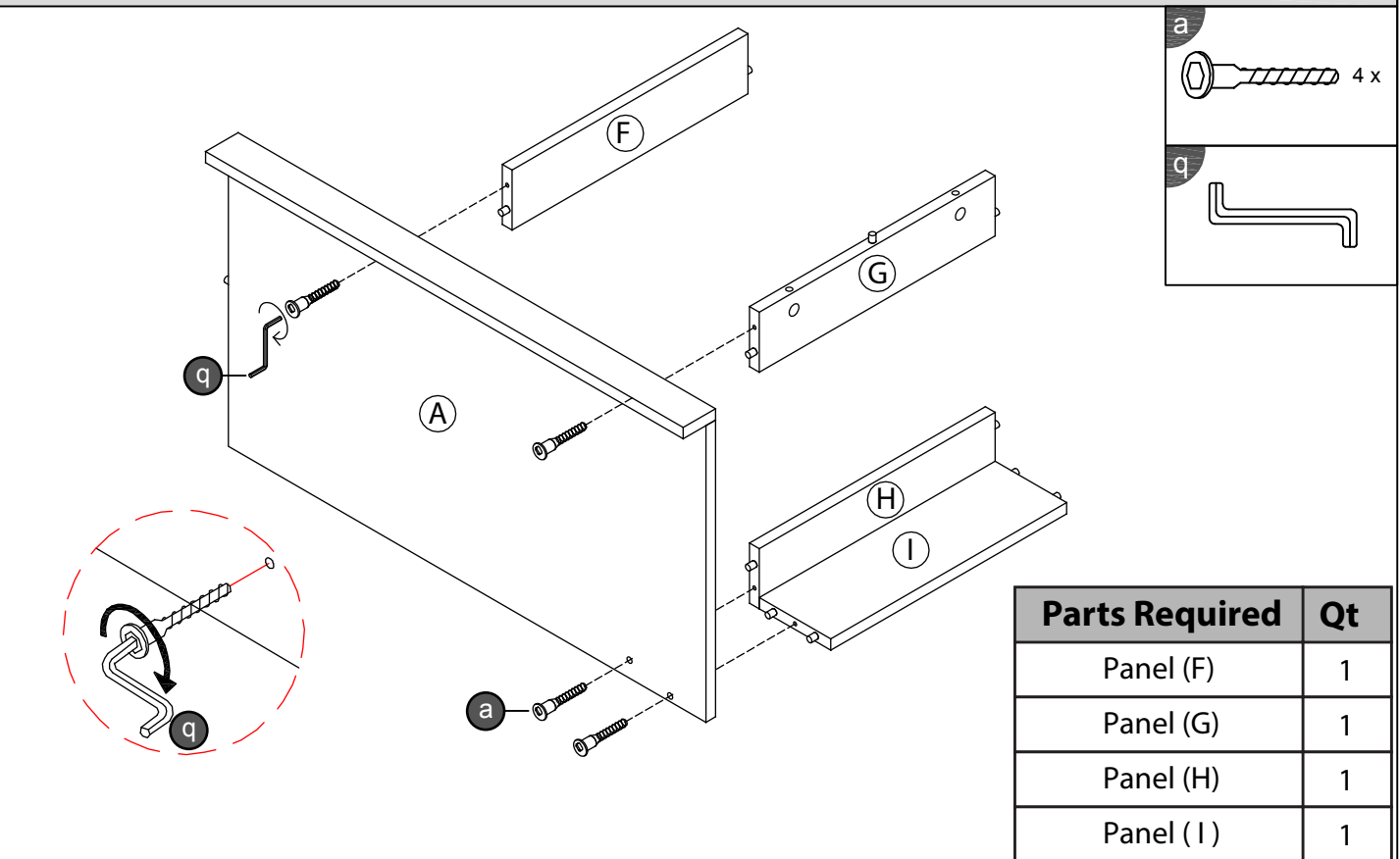
Parts Required	Qty
Panel (A)	1
Panel (B)	1

STEP 4



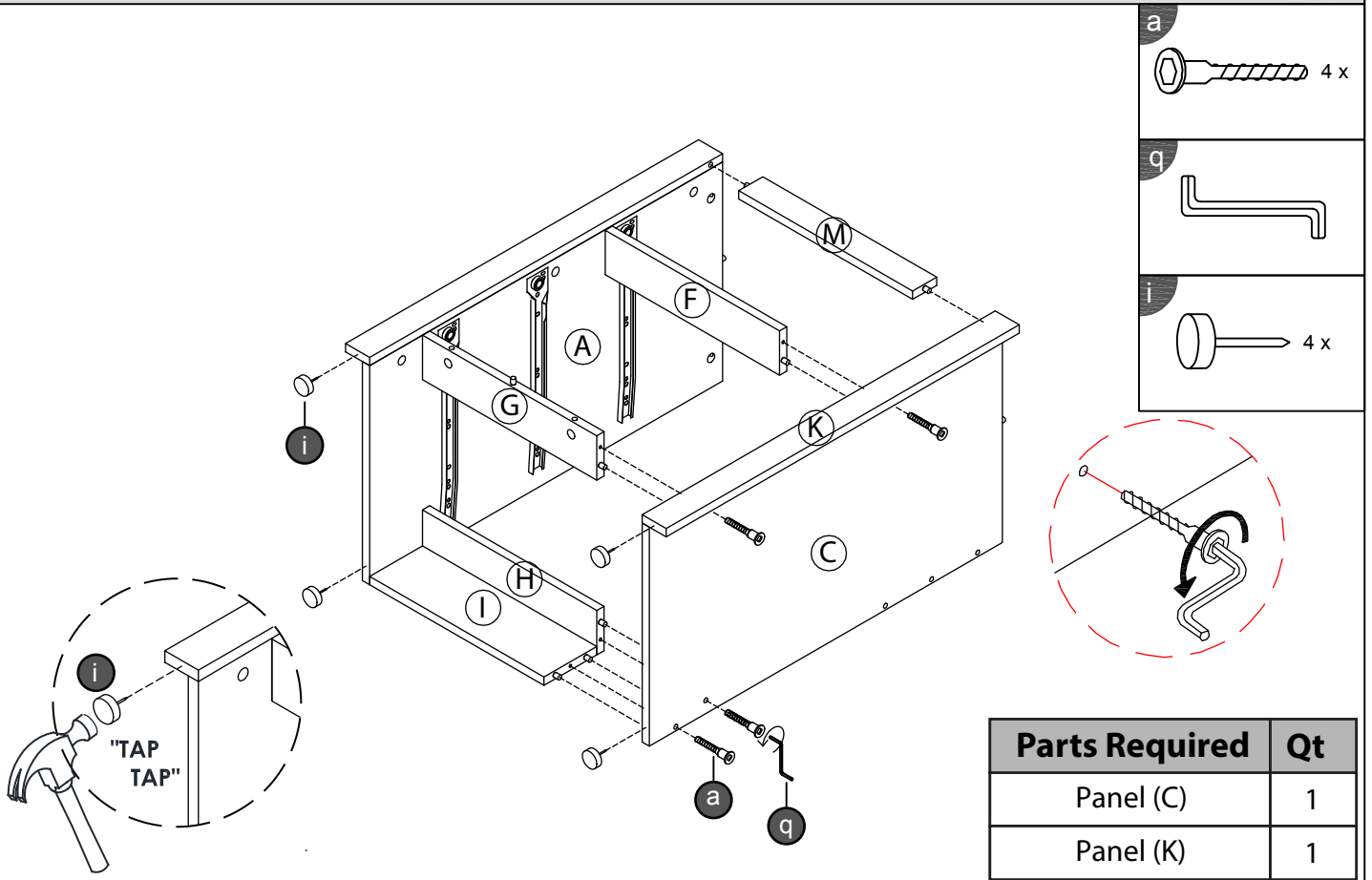
Parts Required	Qt
Panel (A)	1
Panel (B)	1
Panel (C)	1
Panel (J)	1
Panel (K)	1
Panel (U)	1

STEP 5

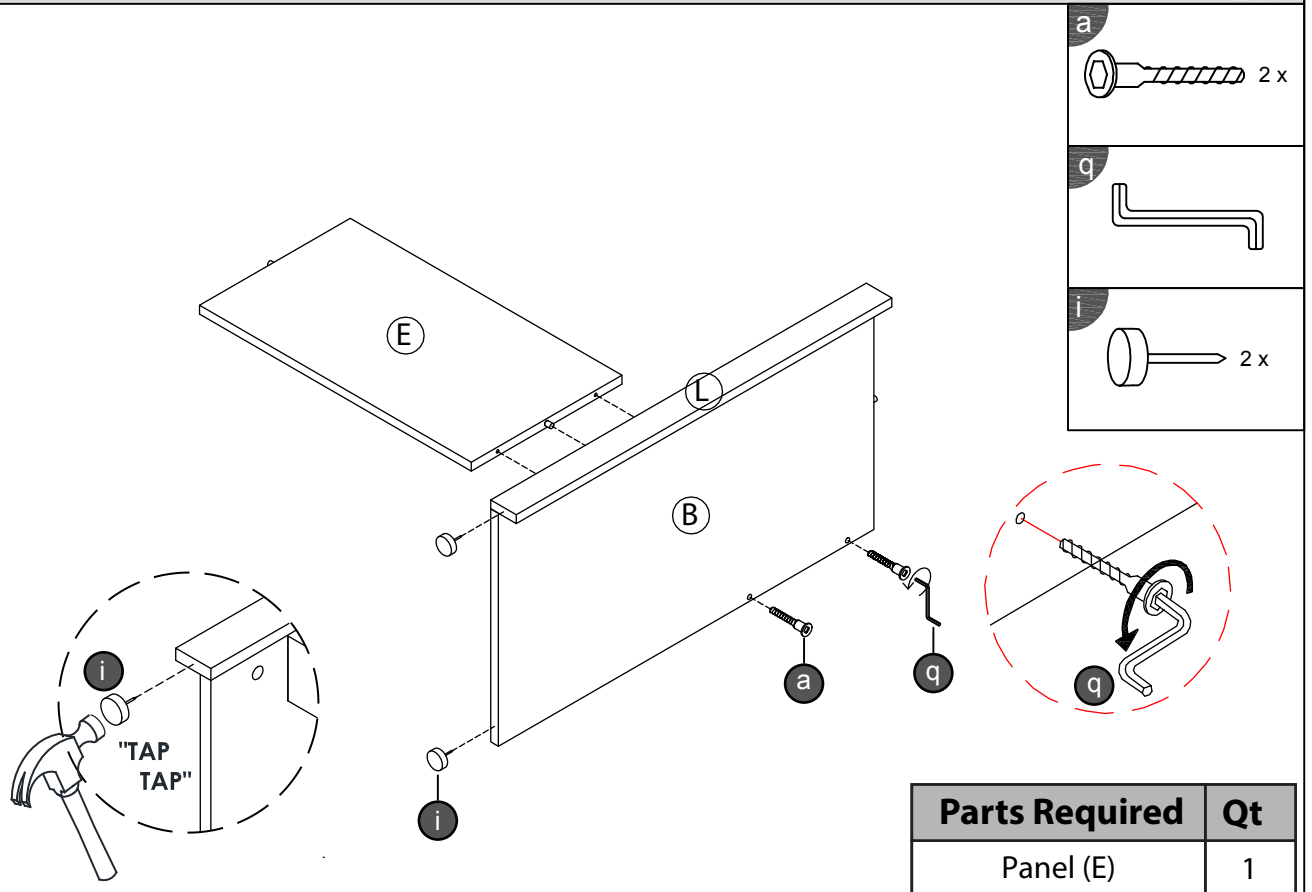


Parts Required	Qt
Panel (F)	1
Panel (G)	1
Panel (H)	1
Panel (I)	1

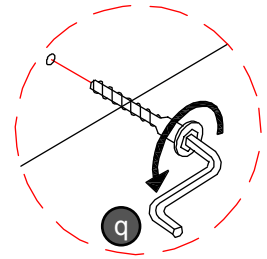
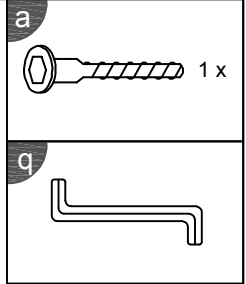
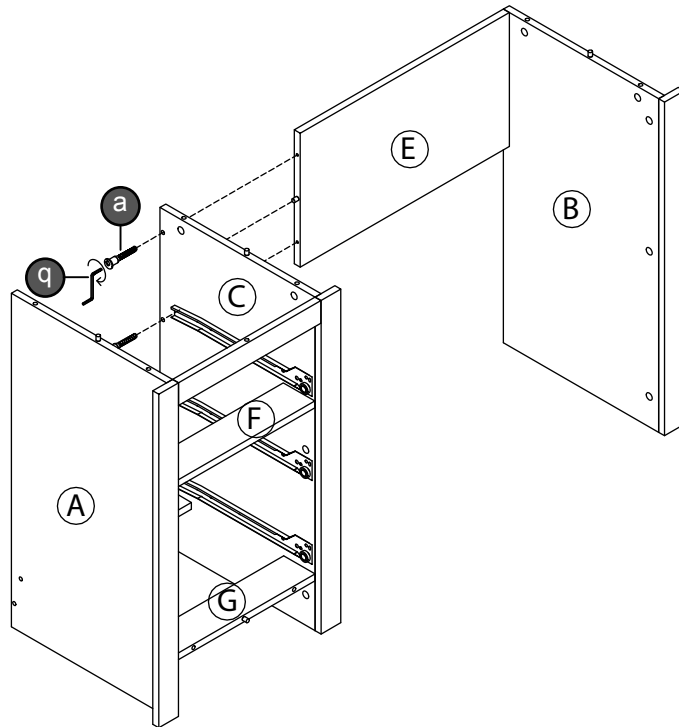
STEP 6



STEP 7

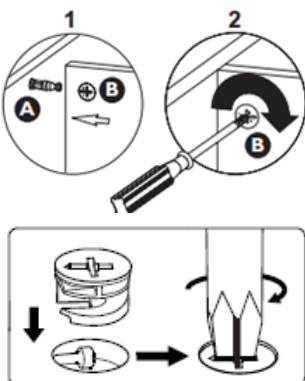
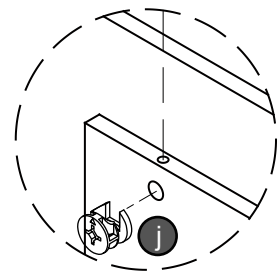
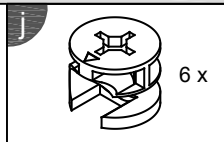
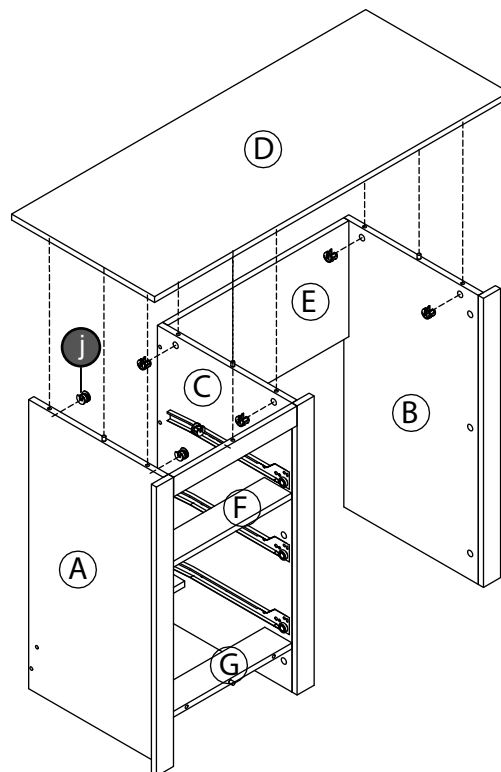


STEP 8



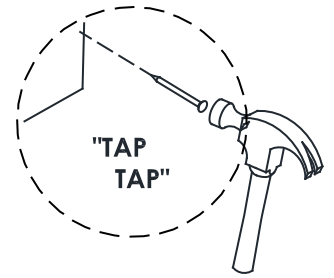
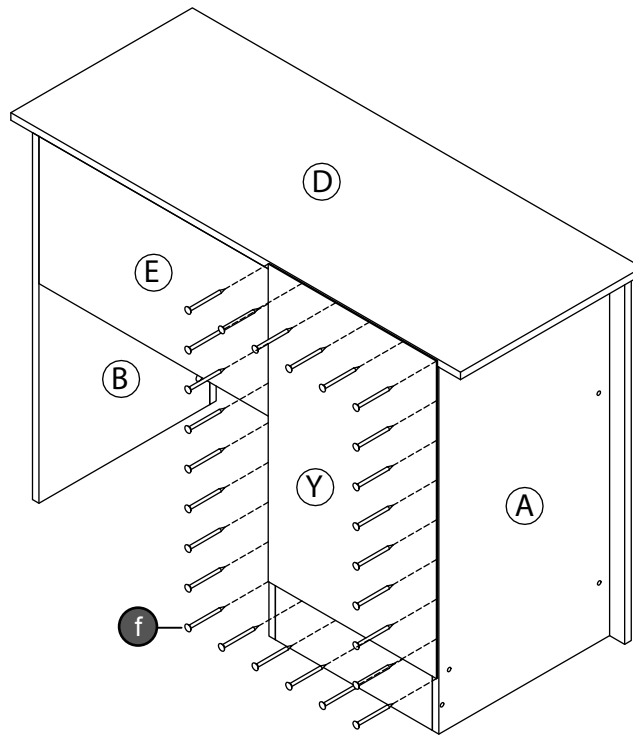
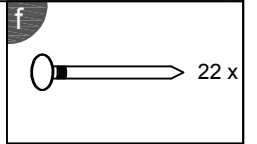
Parts Required	Qt
Panel (C)	1
Panel (K)	1

STEP 9

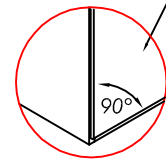


Parts Required	Qt
Panel (D)	1

STEP 10



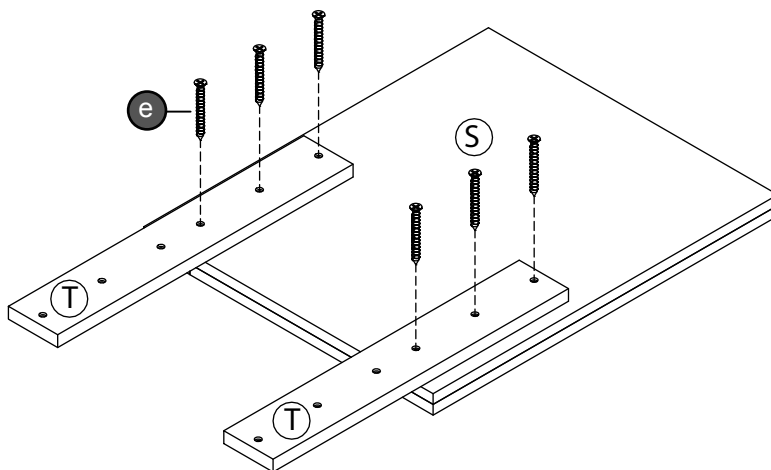
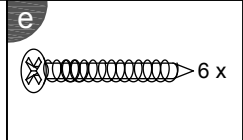
PLEASE ENSURE THAT EACH OF THE FOUR CORNERS OF THE CABINET IS SQUARE.



Important:
The cabinet **MUST** be 'square' when the back is attached.

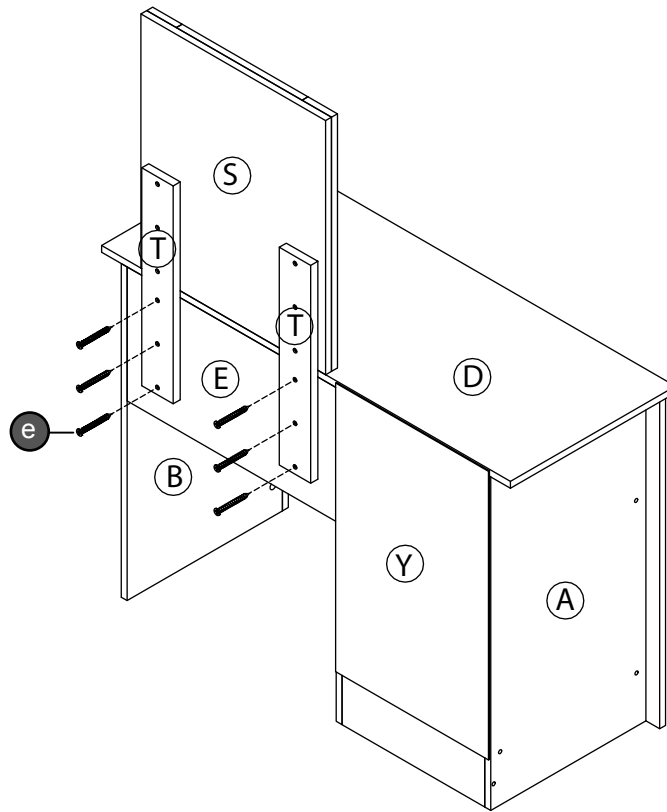
Parts Required	Qt
Panel (Y)	1

STEP 11

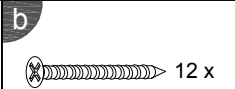
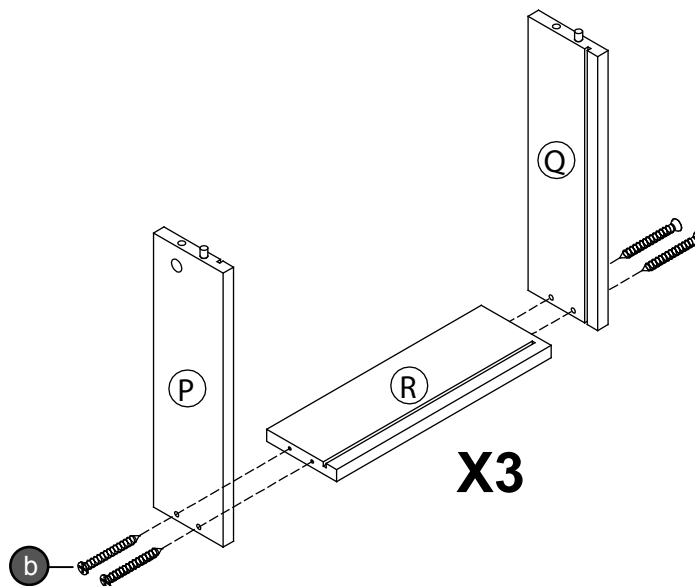


Parts Required	Qt
Panel (S)	1
Panel (T)	2

STEP 12

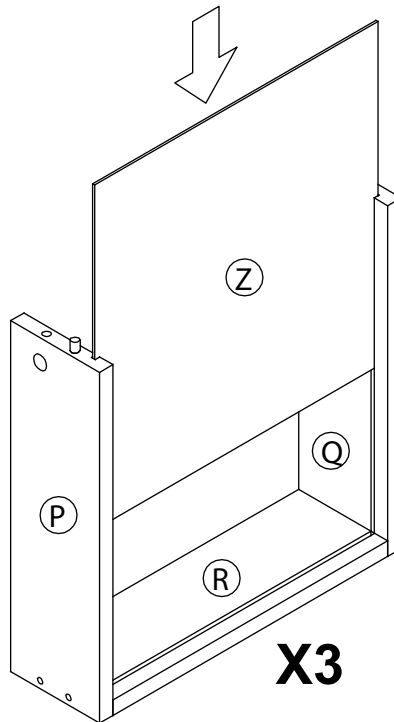


STEP 13

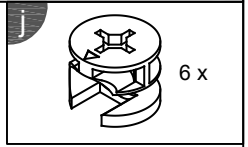
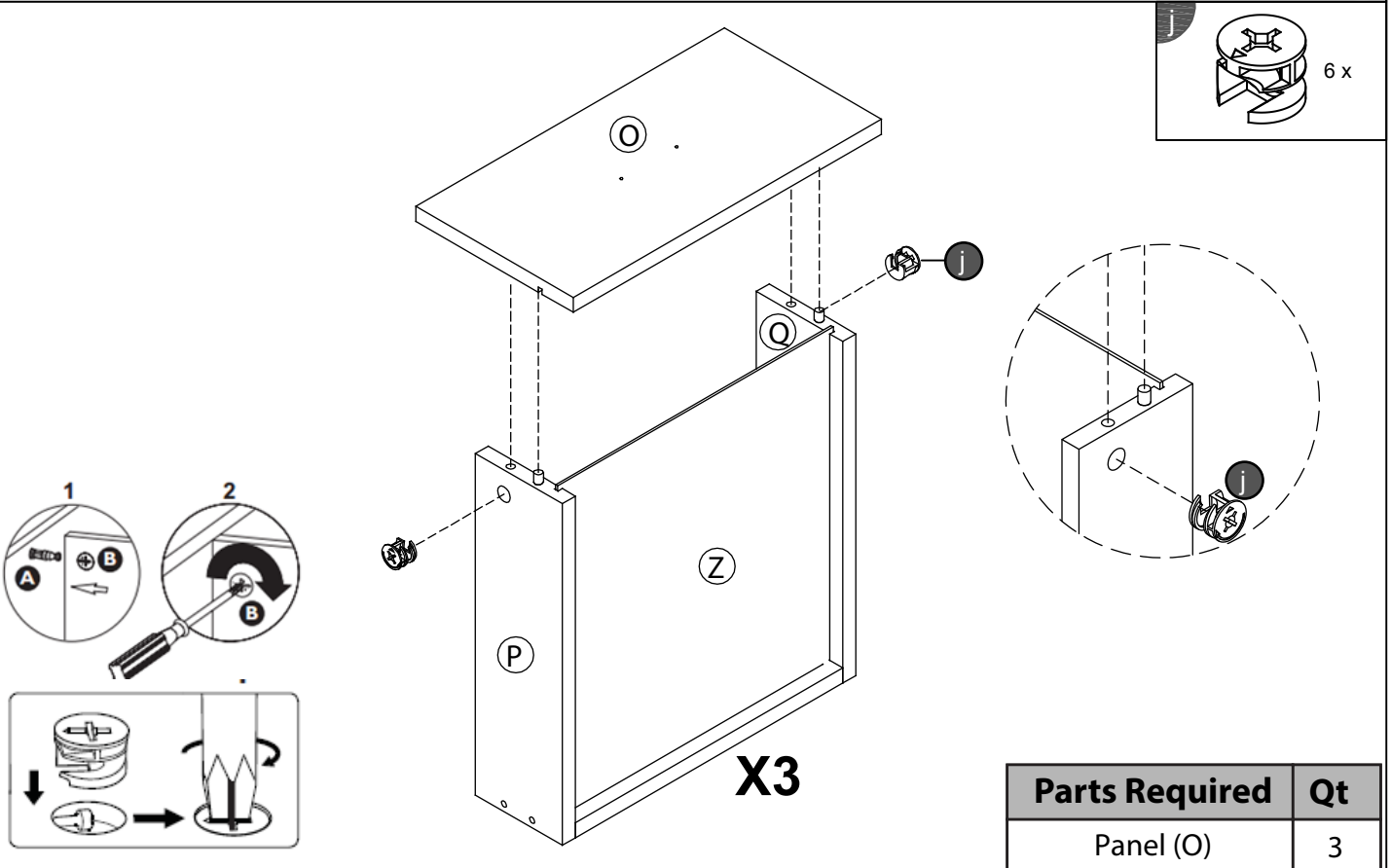


Parts Required	Qt
Panel (P)	3
Panel (Q)	3
Panel (R)	3

STEP 14

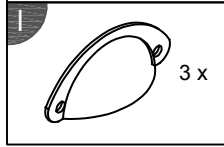
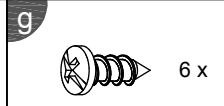
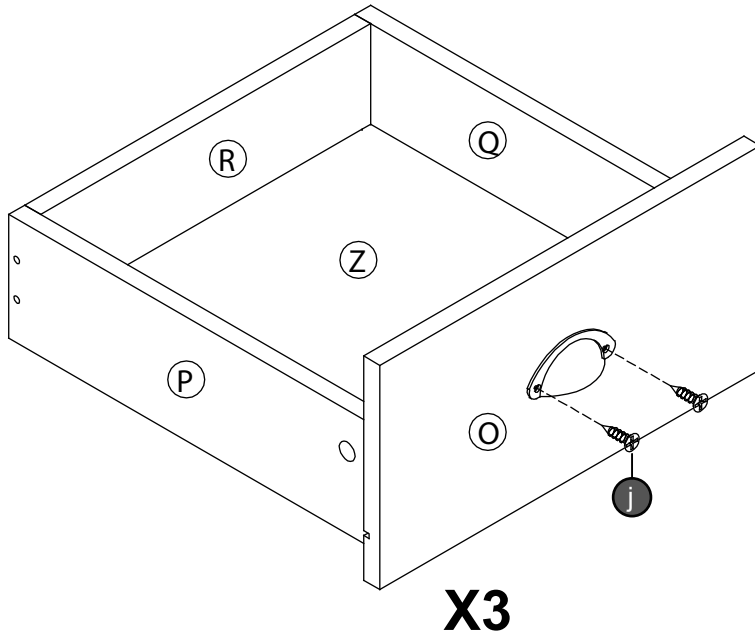


STEP 15

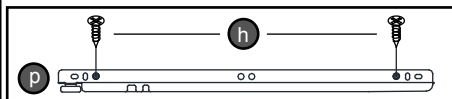
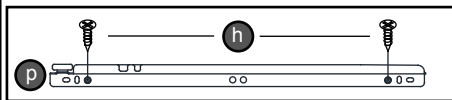
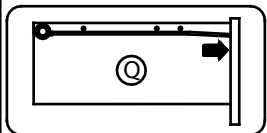
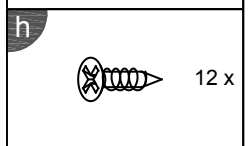
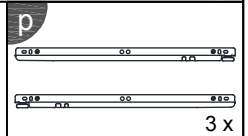
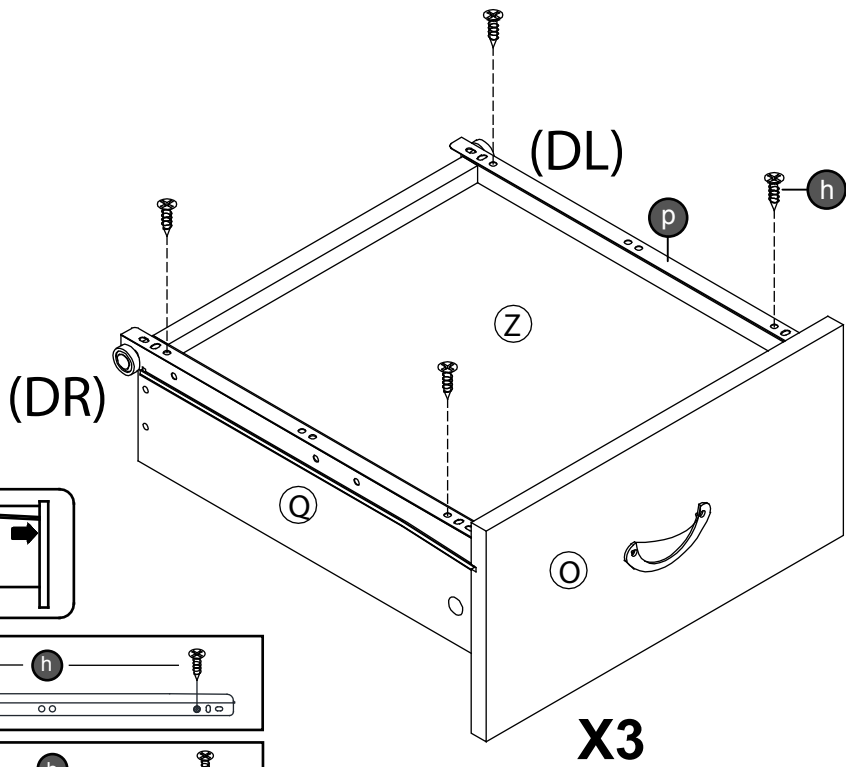


Parts Required	Qt
Panel (O)	3

STEP 16



STEP 17

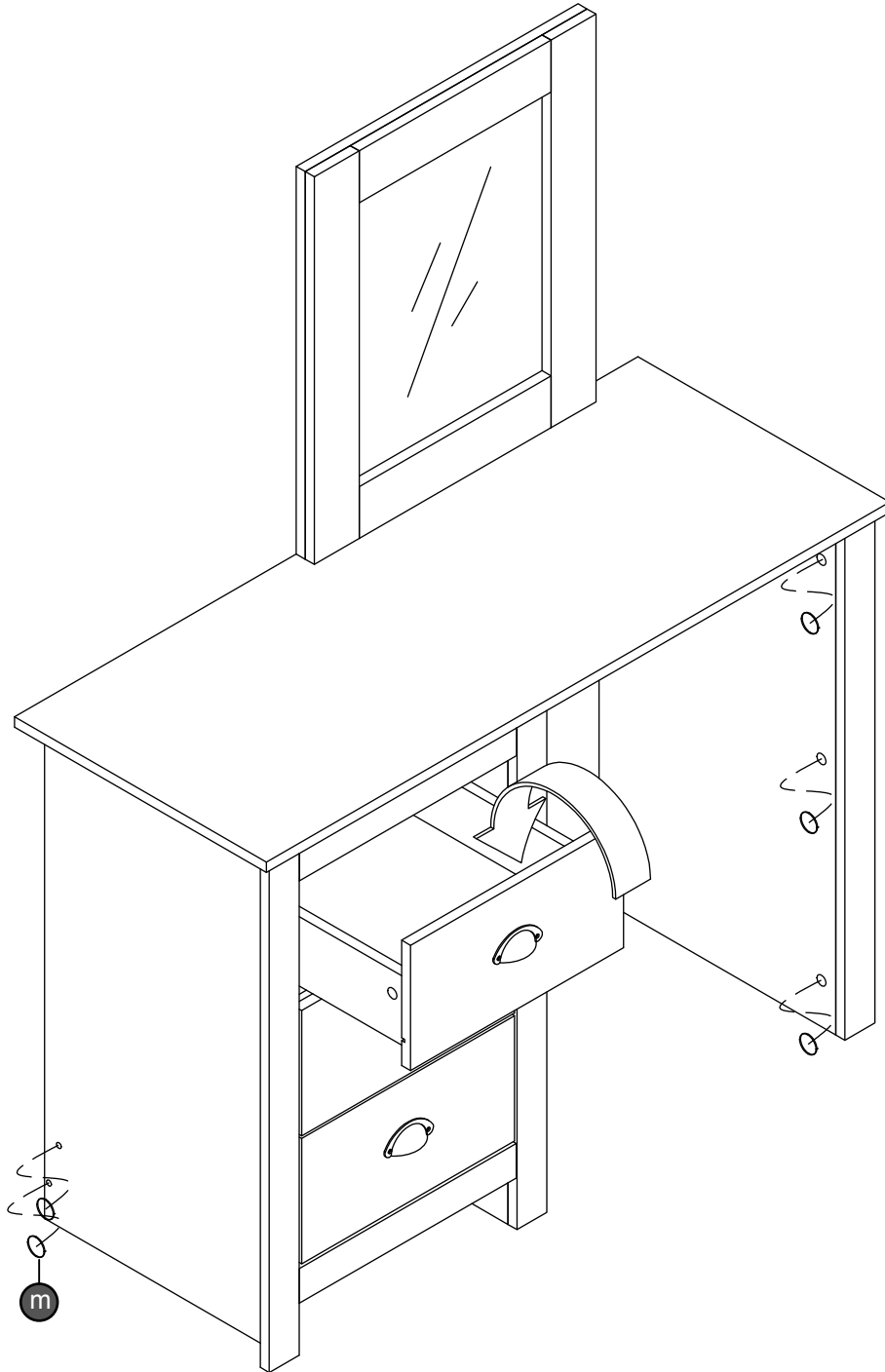


STEP 18

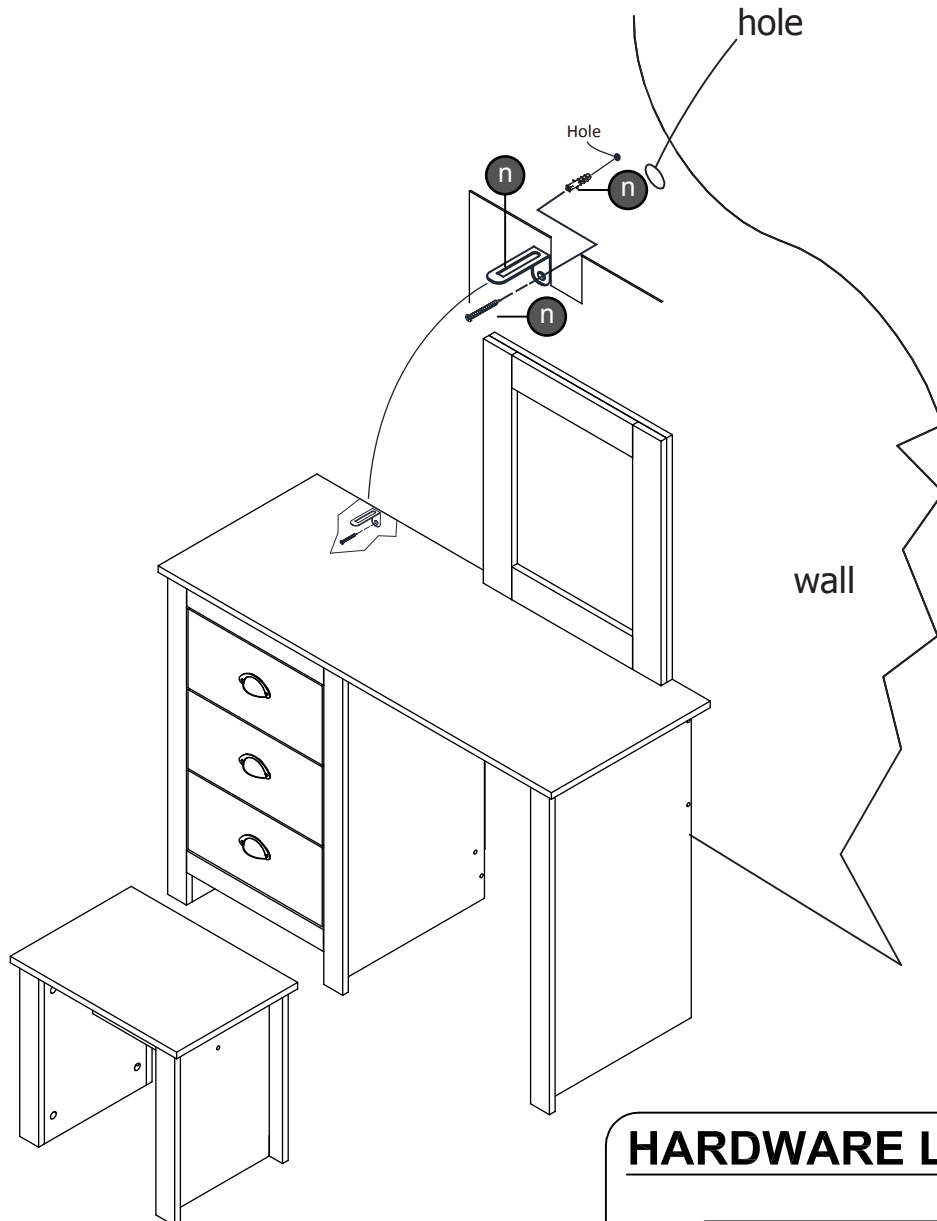
m



10 x



FITTING OF L MOUNTING BRACKET

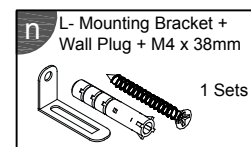


NOTE : The wall fixing plug supplied with this product is suitable for solid and brick walls .

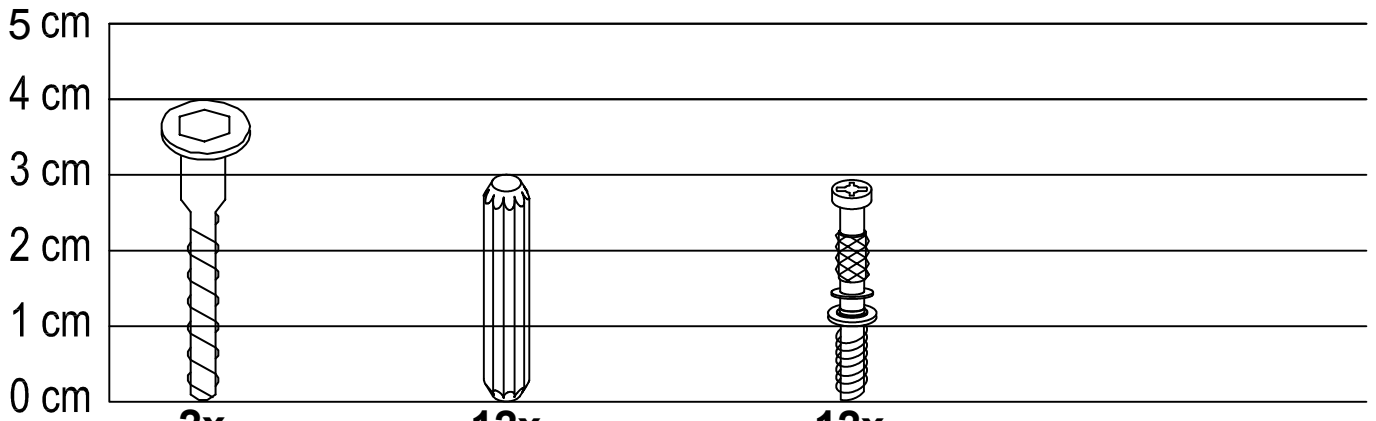
For hollow and stud type walls fixing devices suitable for those type of walls must be obtained separately.

Please ensure the fixing is safe and secure before use and that the area to be drilled is free from hidden wires ,water & gas pipes.

HARDWARE LIST



Fixings (to scale)



2x
D6.3 x 40mm
a
Unitar Screw

12x
D8 x 30mm
b
Wooden Dowel


12x
M5 x 29mm
c
Minifix Bolt

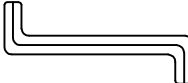


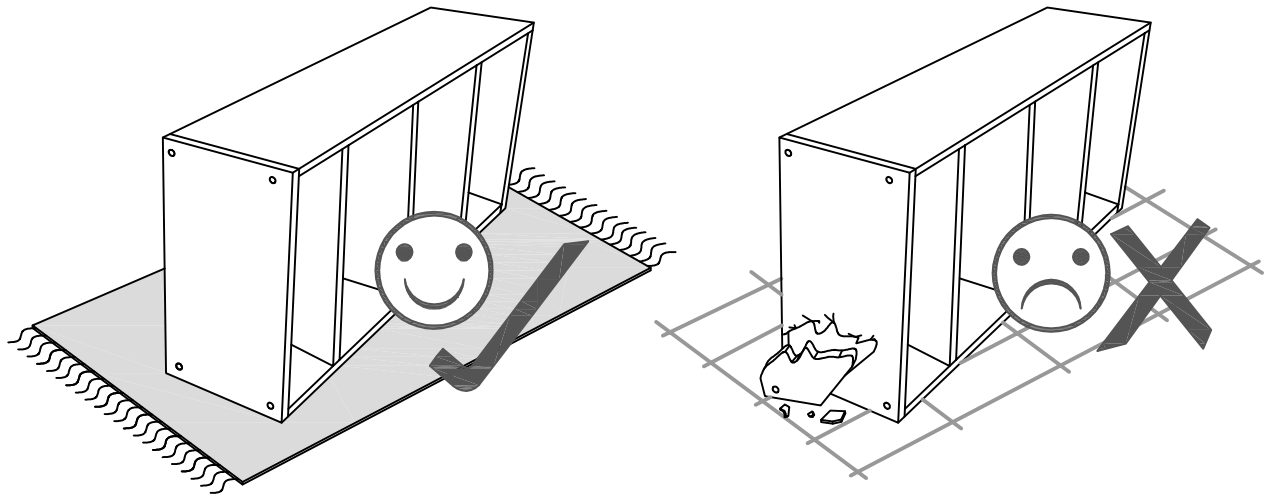
4x
5 x 8 x 13.5mm
d
Nail Leg

12x
D15 x 12mm
e
Minifix Cam

Fixings (not to scale)

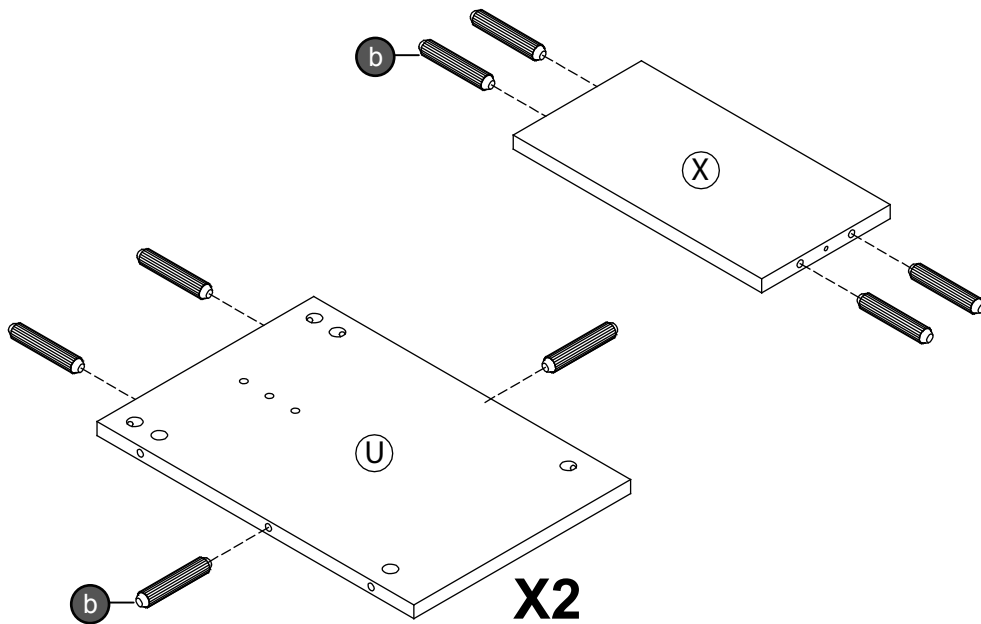
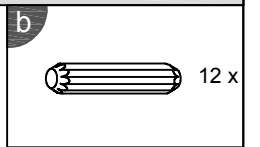

10x
(D-19mm)
f
Round Sticker


1x
M4
g
Allen Key



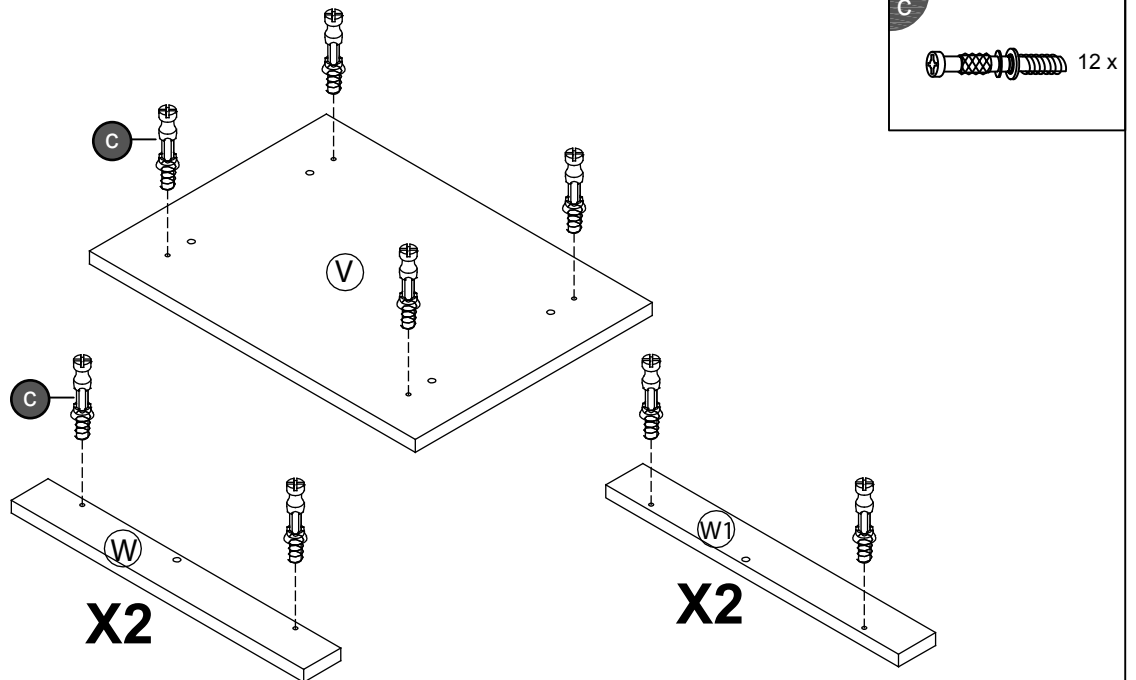
Layout Parts on Soft Surface

STEP 20

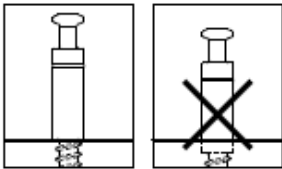


Parts Required	Qty
Panel (U)	2
Panel (X)	1

STEP 21

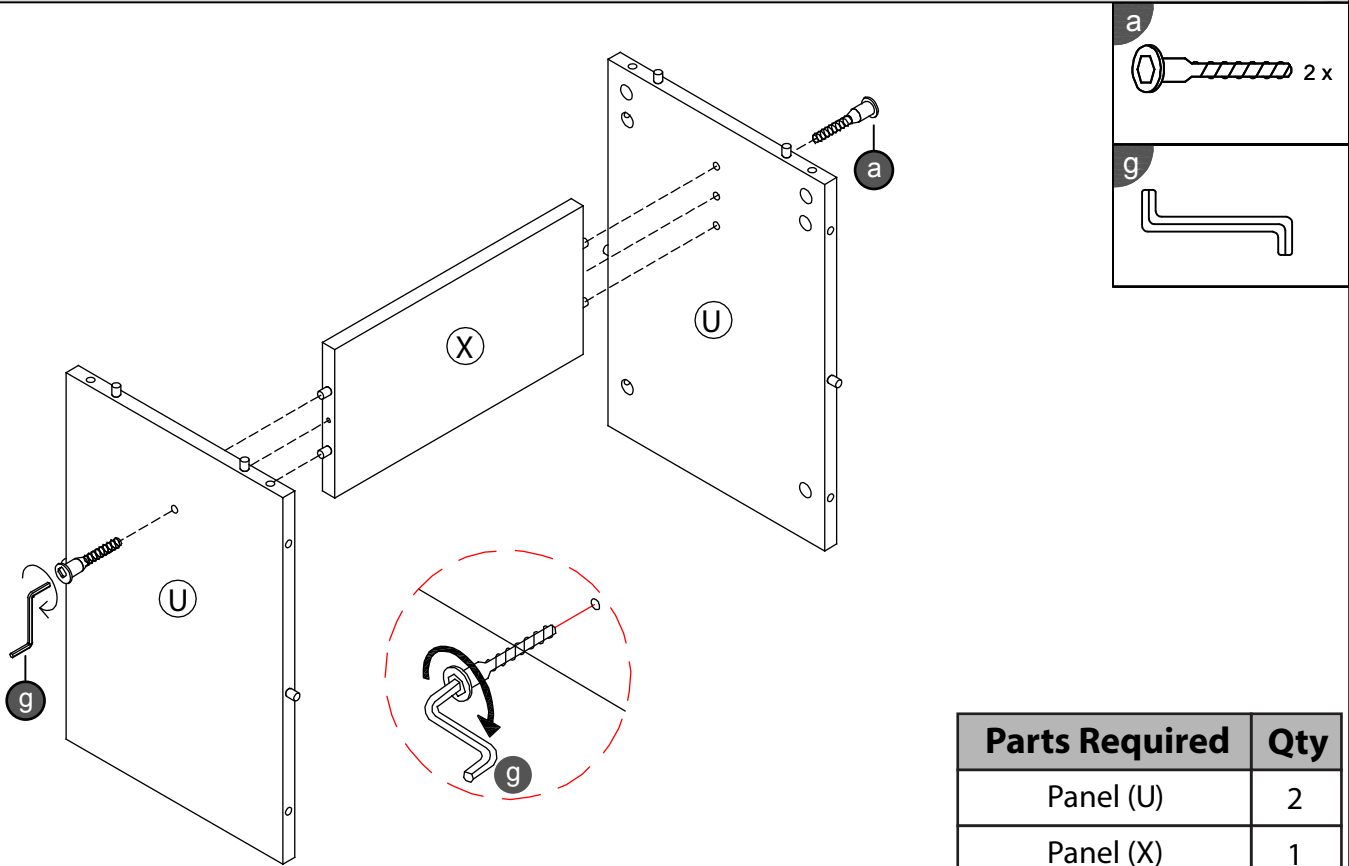


Don't screw too deep



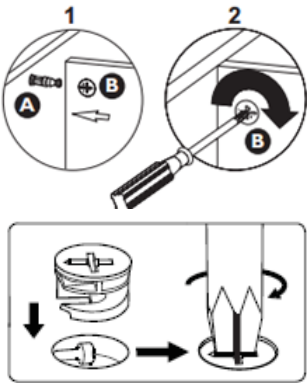
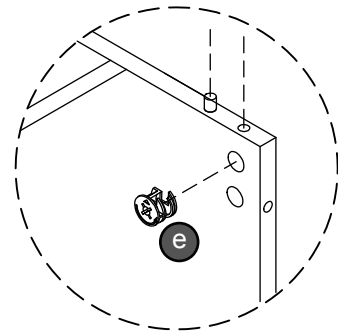
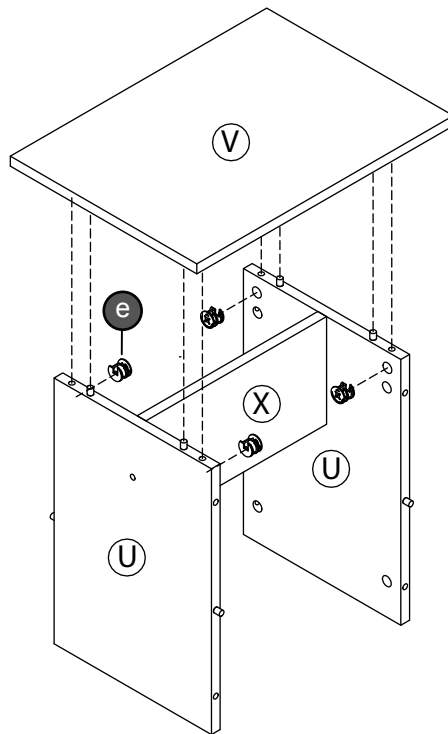
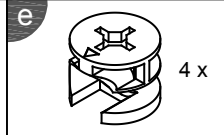
Parts Required	Qty
Panel (V)	1
Panel (W)	2
Panel (W1)	2

STEP 22



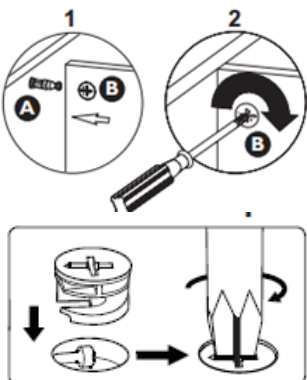
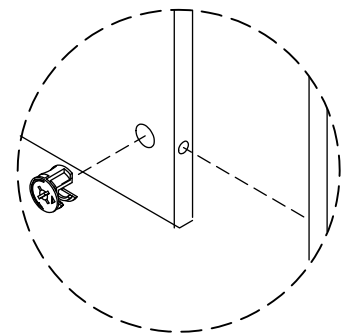
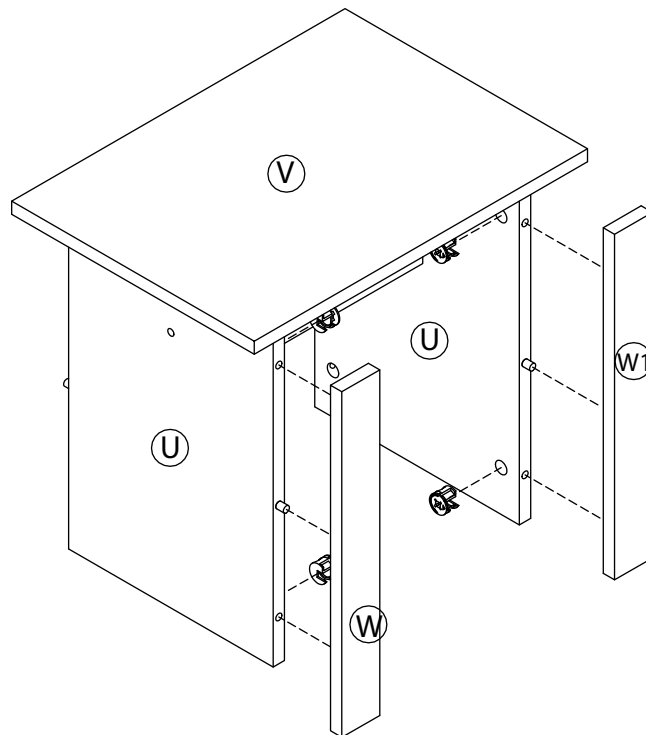
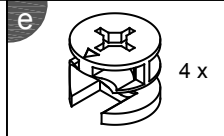
Parts Required	Qty
Panel (U)	2
Panel (X)	1

STEP 23



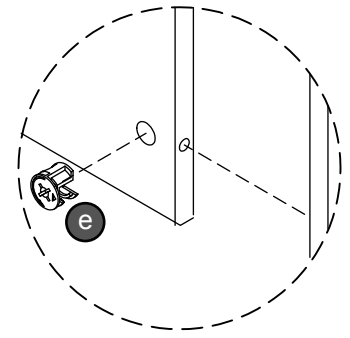
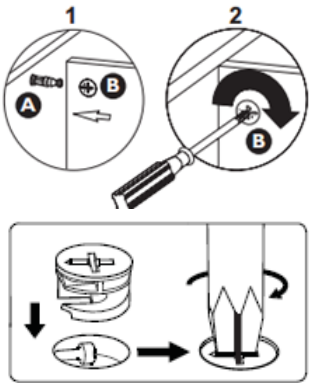
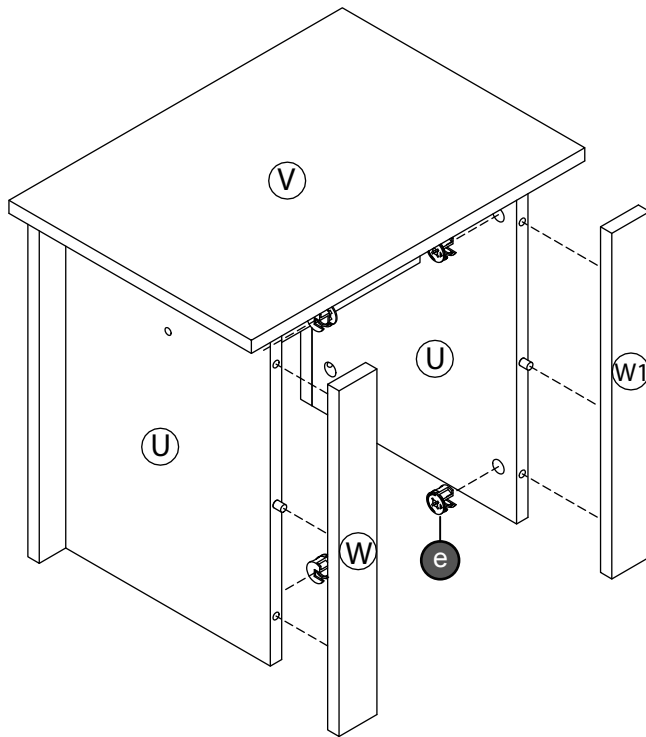
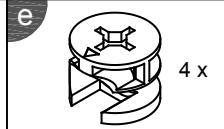
Parts Required	Qt
Panel (V)	1

STEP 24



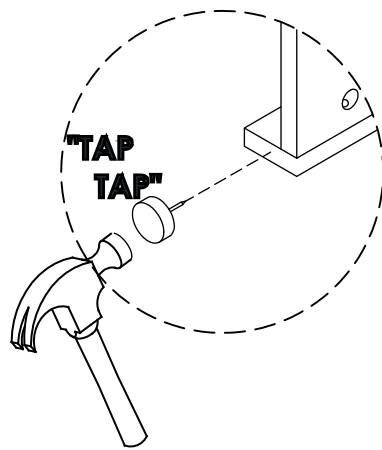
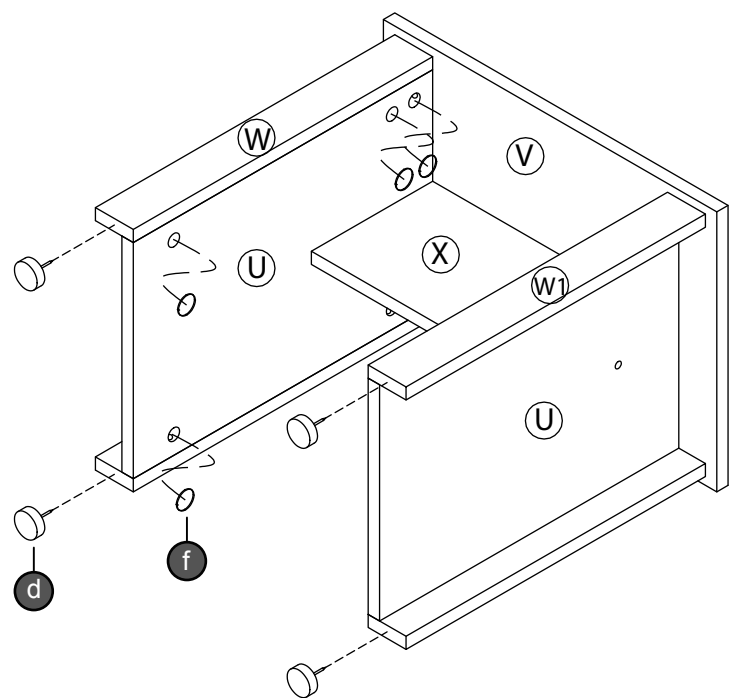
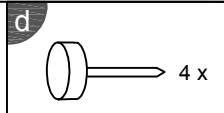
Parts Required	Qt
Panel (W)	1
Panel (W1)	1

STEP 25



Parts Required	Qt
Panel (W)	1
Panel (W1)	1

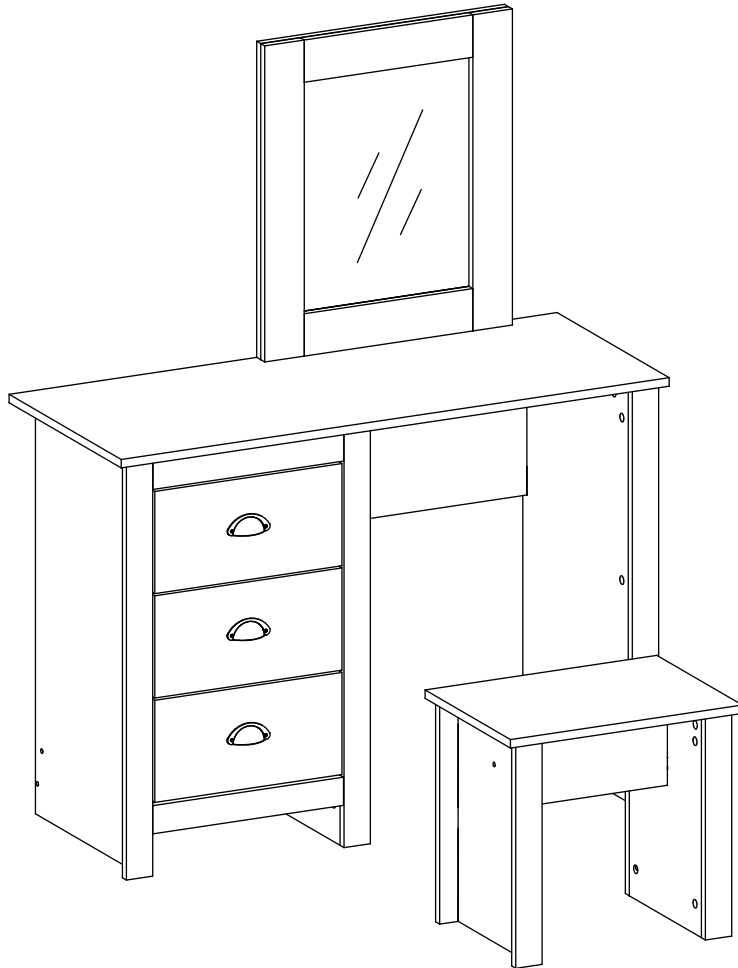
STEP 26



Complete Assembly

Your **LANCASTER DRESSING TABLE with STOOL** is now completely assembled

Periodically check to ensure that the components are in their proper position, free from damage. Also, make sure the connectors are tight and secure.



Keep instructions for future reference

