



Birlea

Suppliers of inspiration

Vendor: S000053



ASSEMBLY INSTRUCTIONS NEXUS TRIPLE SLEEPER

IMPORTANT: READ THESE INSTRUCTIONS CAREFULLY BEFORE ASSEMBLING OR USING YOUR NEXUS TRIPLE SLEEPER FRAME.

PLEASE KEEP THESE INSTRUCTIONS FOR FUTURE REFERENCE.

HEALTH & SAFETY:

DO NOT jump on this bed frame.

DO NOT use this bed frame if any parts are missing, damaged or worn.

DO NOT use this bed frame unless all fixings are secured.

Please keep small parts out of reach of children.

Always use on a level, even surface.

Be aware of the danger of young children (under 6) falling from the upper bunk. It is not advisable for children under the age of 6 to sleep on the top bunk.

This bed frame complies to EN 747 – 1&2 (2012).

CAUTION: There is the risk of strangulation to children from items such as string, ropes, cords, harnesses and belts hanging from the bed frame.

WARNING: Children can become trapped between the bed and the wall. To avoid risk of serious injuries please be aware of the distance between the wall and the top safety barrier.

WARNING: If this bed is placed on a non-carpeted floor you must place some protection under all legs to stop the bed frame from moving. If this is not adhered to there is no guarantee if the bed frame collapses.

CARE & MAINTENANCE:

Assemble in the room of use.

Periodically check all screws & fixings to ensure they are secure.

DO NOT push the bed frame as this will damage the legs.

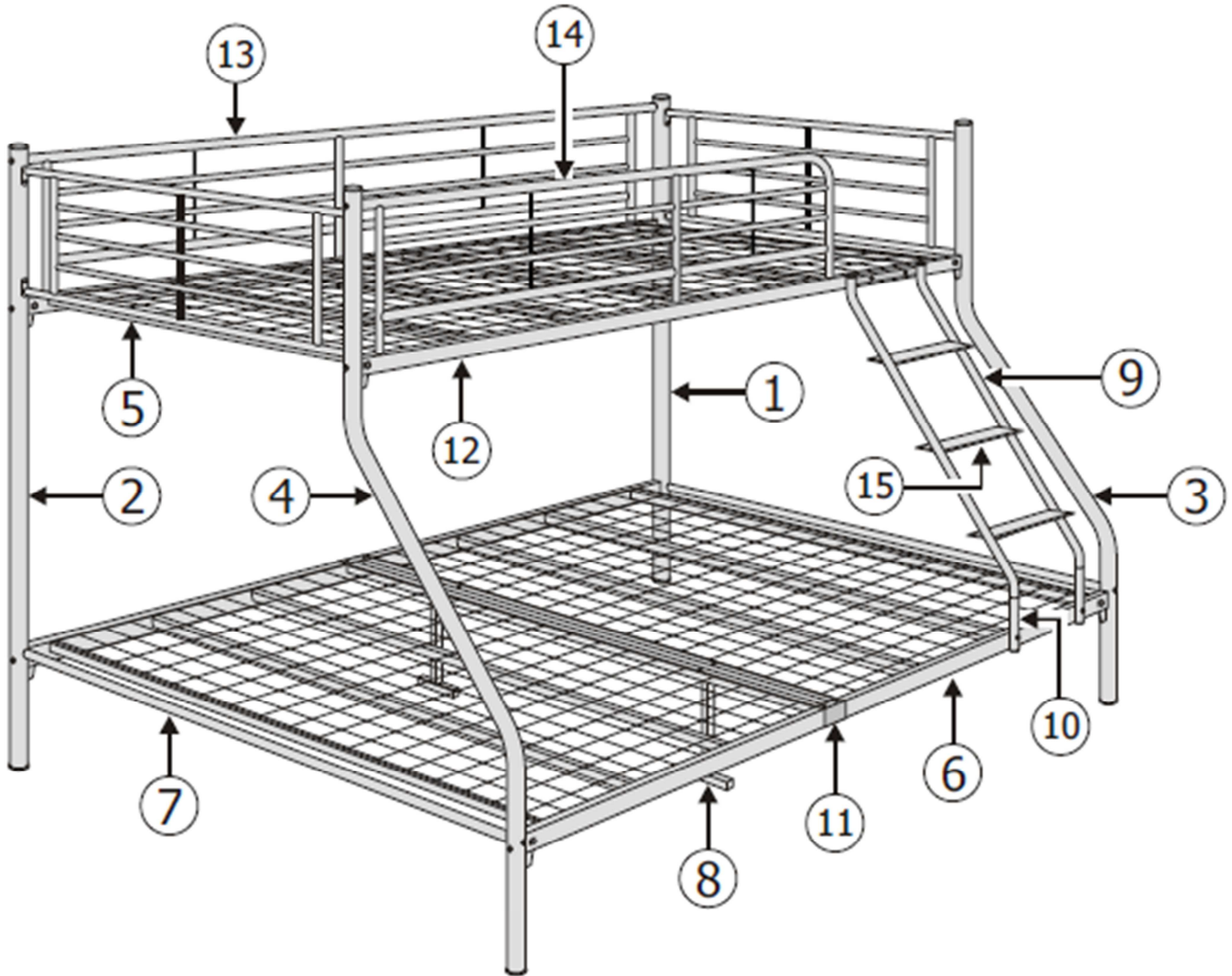
Always lift the bed with two people to reposition.

Keep any sharp objects away from the frame.

Recommended maximum mattress height for top bunk is 200 mm.



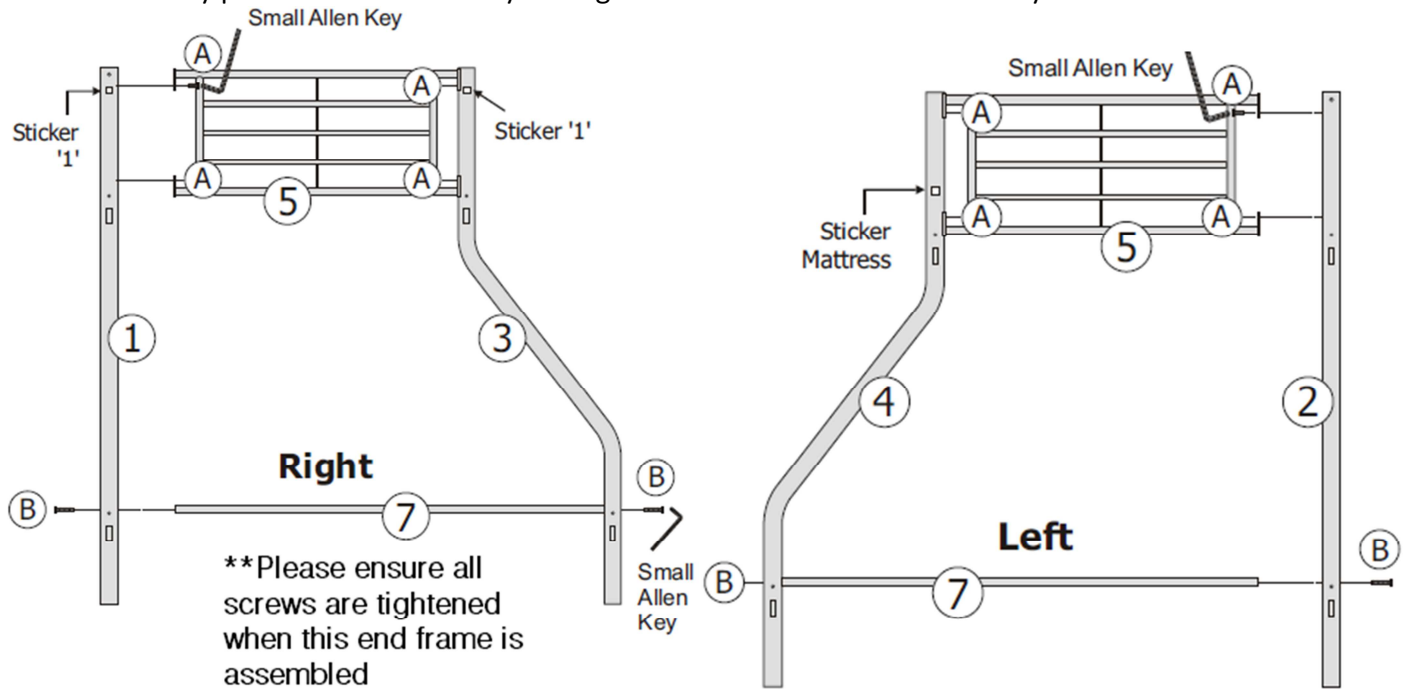
www.birlea.com



Parts List				Hardware List (found in box 2)		
Part	Description	Box	Qty	Part	Description	Qty
1	Right Post A (Sticker 1)	1	1	A	M6 x 16 mm JCBC Screw 	14
2	Left Post A	1	1	B	M6 x 80 mm JCBC Screw 	13
3	Right Post B (Sticker 1)	1	1	C	M6 x 60 mm JCBC Screw 	4
4	Left Post B	1	1	D	M6 Nut 	10
5	Headend Frame	2	2	E	19 mm M6 Flat Round Washer 	4
6	Bottom Base	2	2	F	M6 x 35 mm JCBC Screw 	8
7	Frame Support	1	2	G	M8 Metal Square Nut 	8
8	Base Leg	2	2	H	M8 x 95 mm JCBC Screw 	8
9	Ladder	2	1	I	50 mm Beige Round Cap 	4
10	Ladder Connector	2	2	J	Black Round Stud 	10
11	Centre Support	2	2	** M4 Allen Key & M5 Allen Key provided.		
12	Top Base	1	1			
13	Back Rail	1	1			
14	Front Rail	1	1			
15	Ladder Step	2	3			

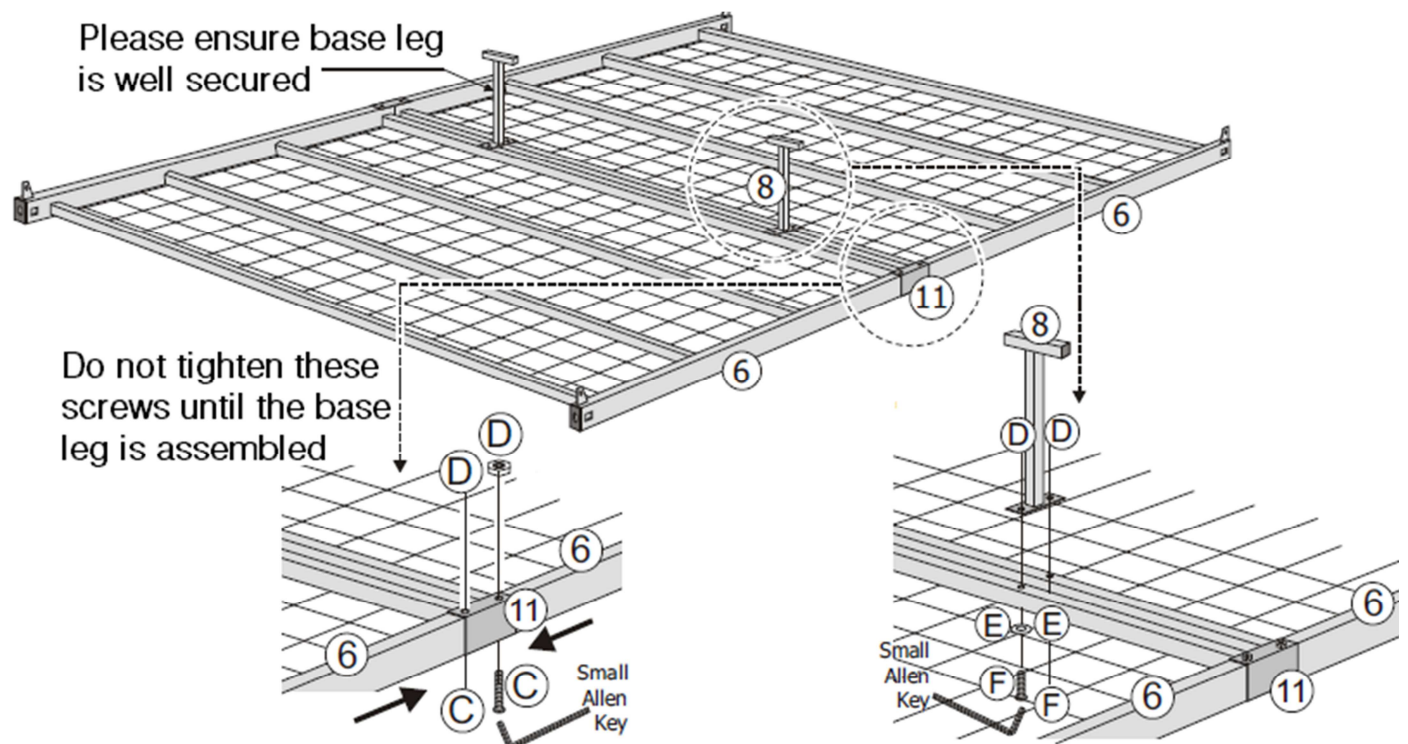
Step 1: Fix the headend frame (5) to the right post A (1) and right post B (3) using hardware part A, then attach the frame support (7) using hardware part B. Repeat for the left side.

DO NOT use any power tools as this may damage the frame and will invalidate any claim.



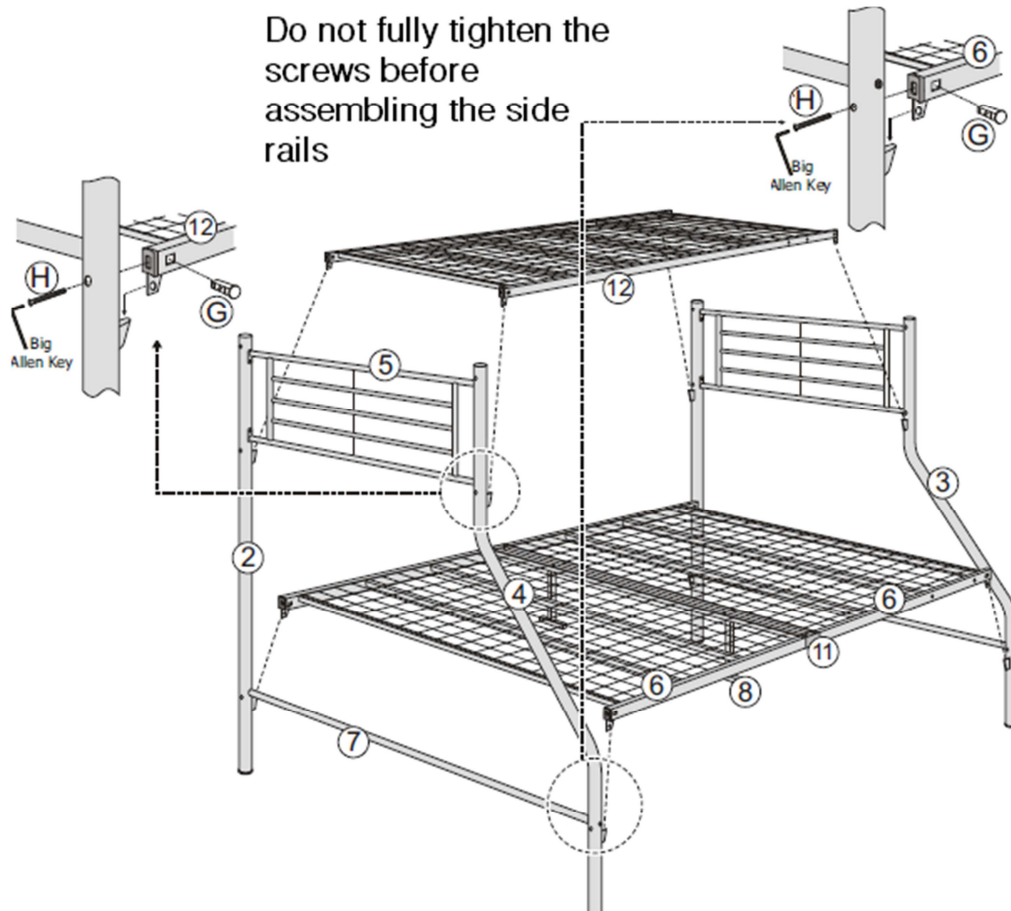
Step 2: Join together the bottom base panels (6) with the centre support (11) using hardware parts C and D, then attach the base legs (8) using hardware parts D, E and F.

DO NOT use any power tools as this may damage the frame and will invalidate any claim.

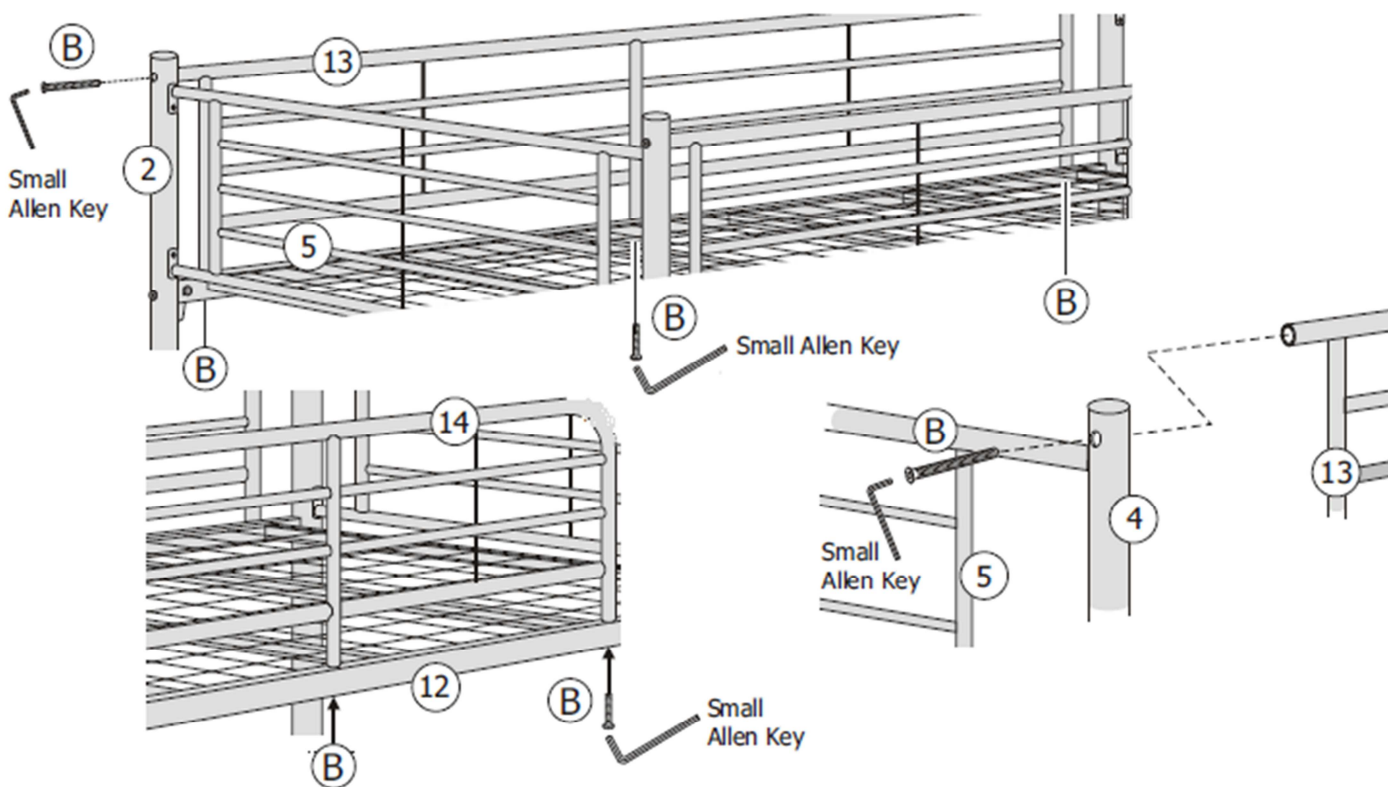


Step 3: Attach the top base (12) and bottom base (6) using hardware parts G and H but do not fully tighten yet.

DO NOT use any power tools as this may damage the frame and will invalidate any claim.

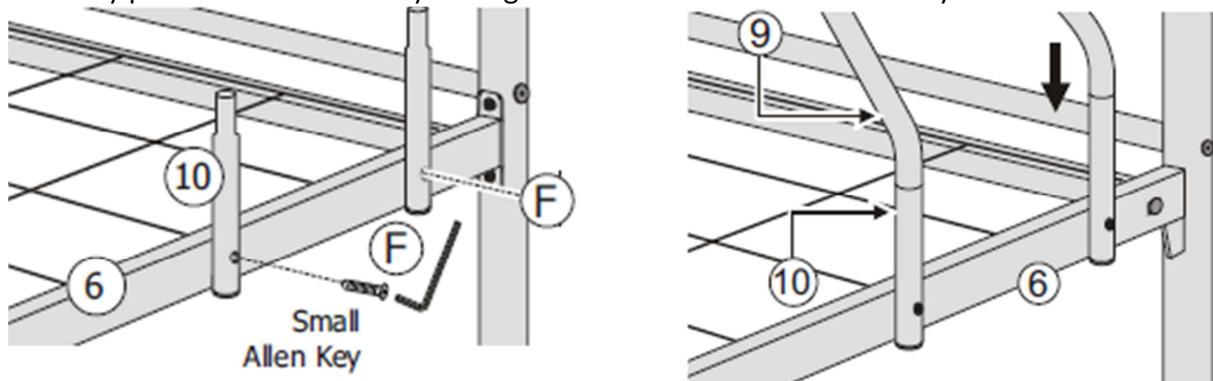


Step 4: Secure the back rail (13) and front rail (14) in position using hardware part B. DO NOT use any power tools as this may damage the frame and will invalidate any claim.



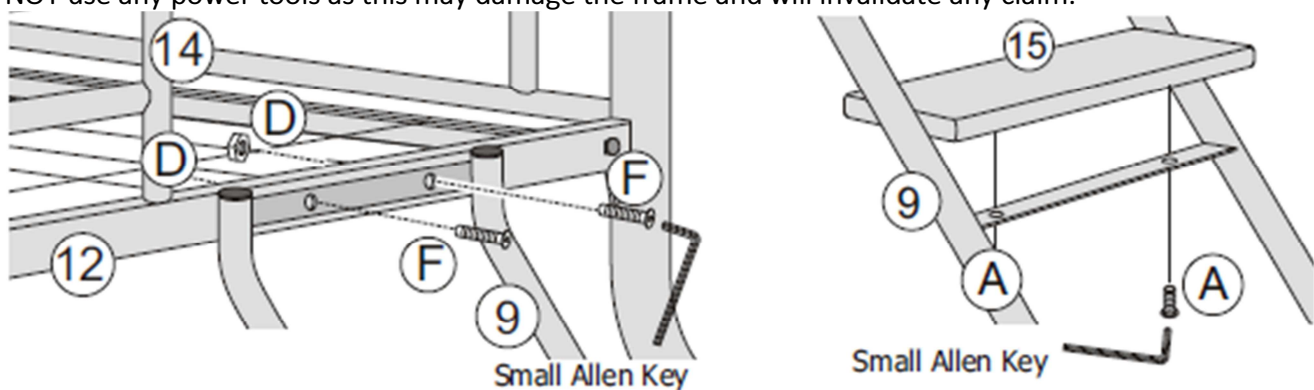
Step 5: Fix the ladder connectors (10) to the bottom base (6) using hardware part F, then slot the ladder (9) into the connectors.

DO NOT use any power tools as this may damage the frame and will invalidate any claim.



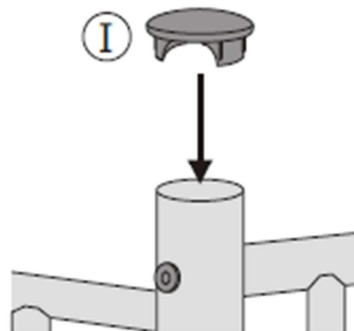
Step 6: Secure the ladder (9) to the top base (12) using hardware parts D and F, then attach the ladder steps (15) using hardware part A.

DO NOT use any power tools as this may damage the frame and will invalidate any claim.



Step 7: Insert hardware part I to the bed posts.

DO NOT use any power tools as this may damage the frame and will invalidate any claim.



Additional Information:

- For complete product information, images and dimension diagrams please visit the website www.birlea.com
- If you have any issues with your item please contact the retailer directly you purchased it from who will be able to resolve any issues with Birlea.
- Why don't you send us photos of your assembled furniture to info@birlea.com to be shared in our #birleahome feature on Instagram.