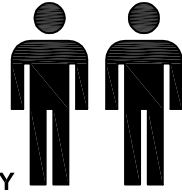


# DESCRIPTION: DUCHESS BED (6FT)

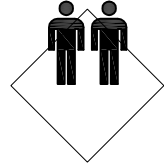
**1 hrs**

APPROXIMATE ASSEMBLY TIME

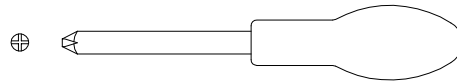
2 PERSON ASSEMBLY



FLOOR AREA  
2.5M X 2.5M

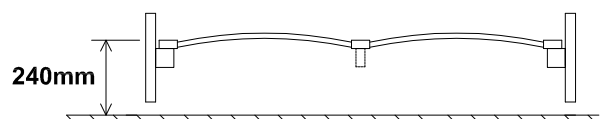
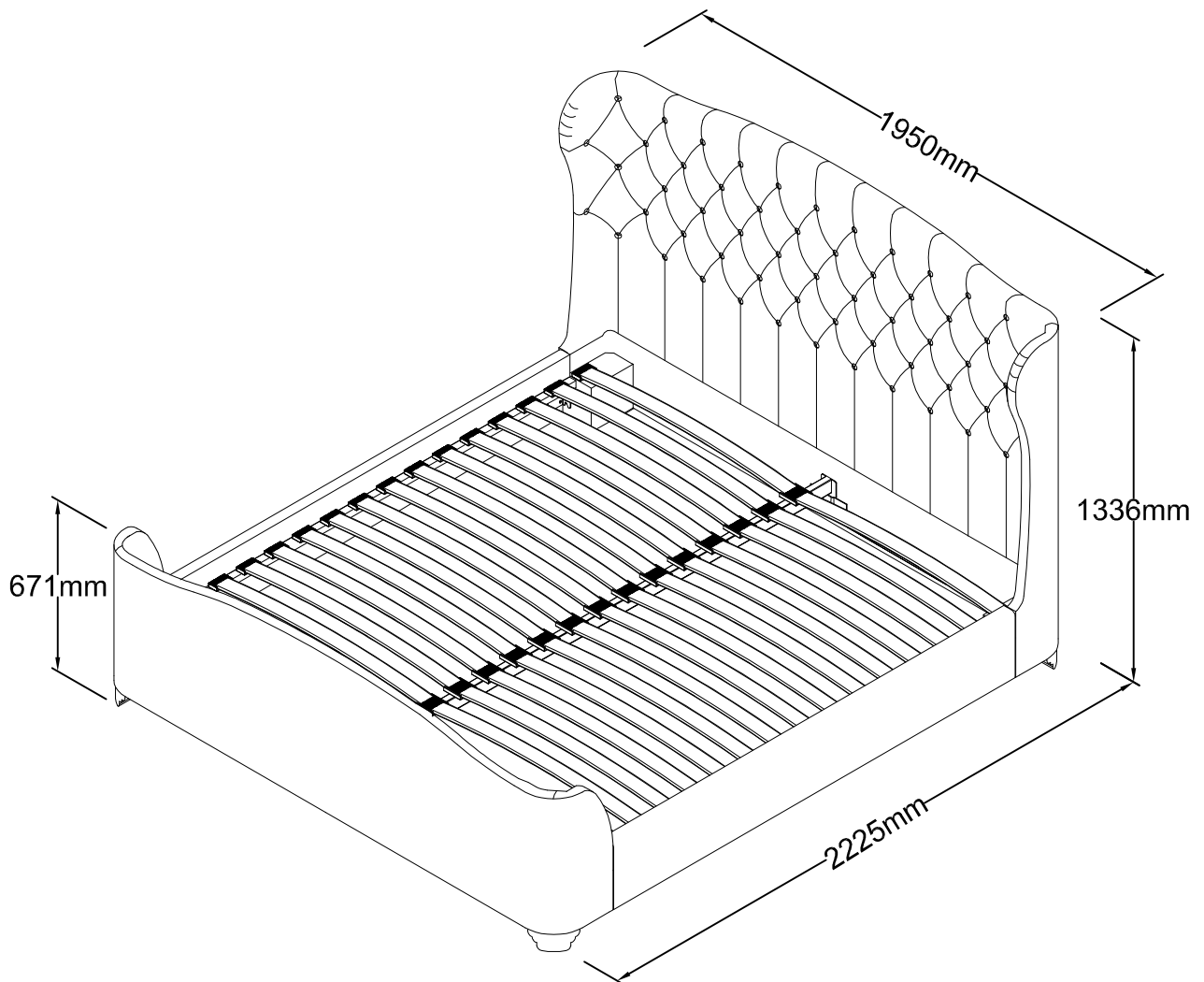


REQUIRED ASSEMBLY SPACE



INCLUDED ASSEMBLY TOOLS

ASSEMBLED DIMENSIONS



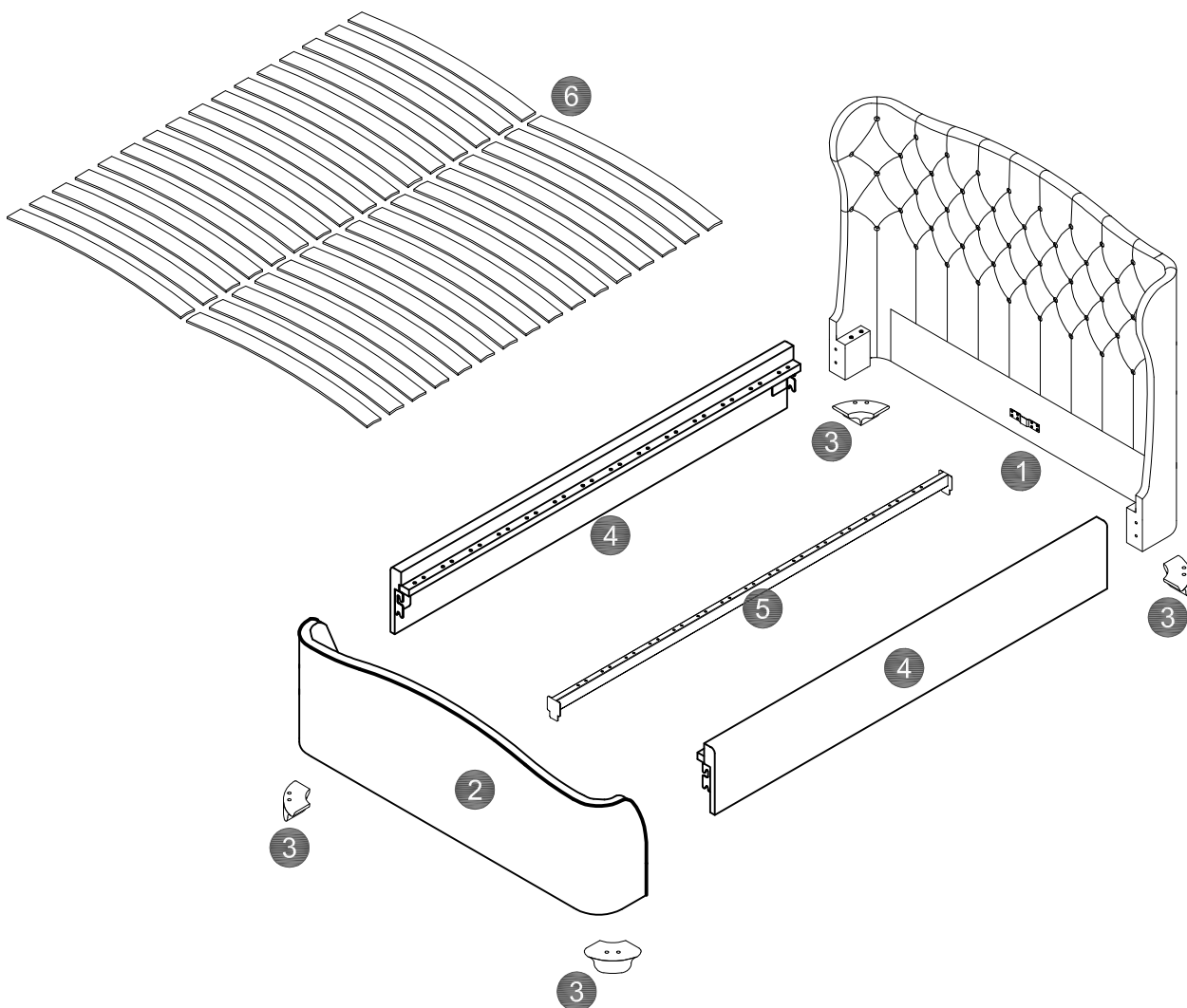
Internal size for mattress = 1830mm x 2050mm

*'Original Instruction'*

# PARTS LIST

NO.	PART LISTS	QTY
1.	HEADBOARD	1
2.	FOOTBOARD	1
3.	PROFILE LEG	4
4.	SIDE RAIL	2
5.	CENTRE RAIL	1
6.	SLATS	32

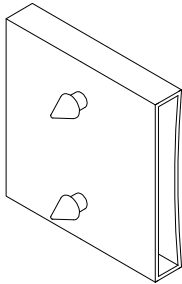
CARTON 1 CONSISTS OF PART : 1, A1  
 CARTON 2 CONSISTS OF PART : 2, 3, 6 , SLATS CAPS  
 CARTON 3 CONSISTS OF PART : 4, 5 , SCREW DRIVER



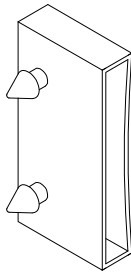
# HARDWARE LIST



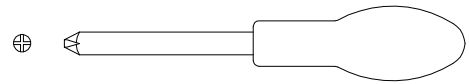
**8x**  
M8 X 60mm  
**A**  
BOLT



**16x**  
**B**  
CENTRE CAP



**32x**  
**C**  
END CAP



**1x**  
**D**  
SCREW DRIVER  
(4" x 5mm)

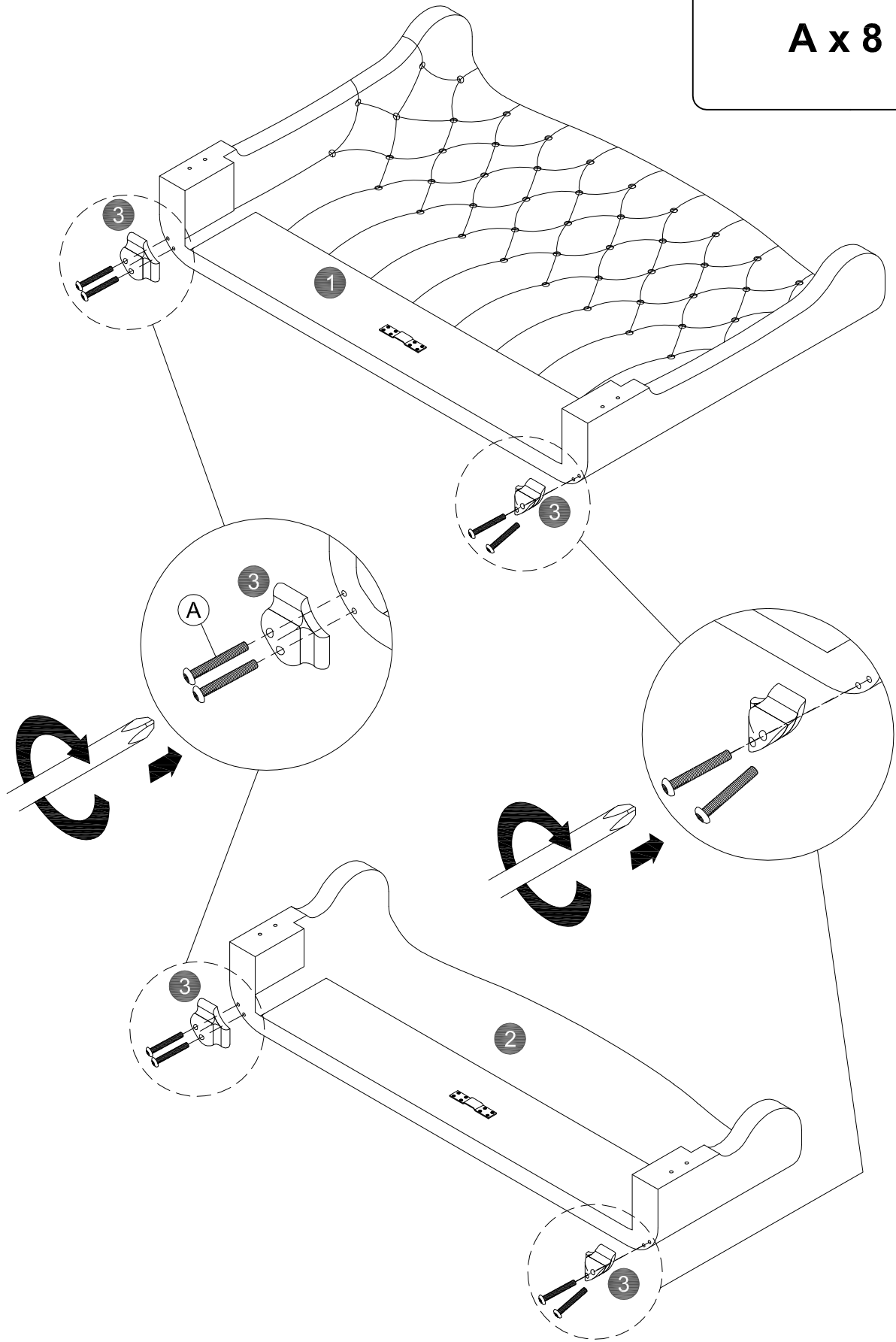
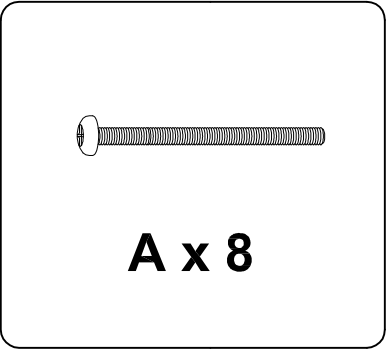
## **Top Tips before you start!**

1. Please check that all parts are present before you start the assembly of your furniture.
2. For ease and speed of assembly, we recommend that before you commence each step of the assembly, that you identify all the parts required for that step.
3. For larger items, please ensure that you have sufficient space and people (as indicated on page 1) to assemble your product safely.
4. We recommend that, where possible, all items are assembled near to the area in which they will be placed in use, to avoid moving the product unnecessarily once assembled.
5. For the protection of your furniture, particularly items of high gloss finish, we recommend that the product is placed on a protected surface during assembly to prevent any damage.
6. During assembly please take care not to over-tighten any fittings, as this may damage the product.

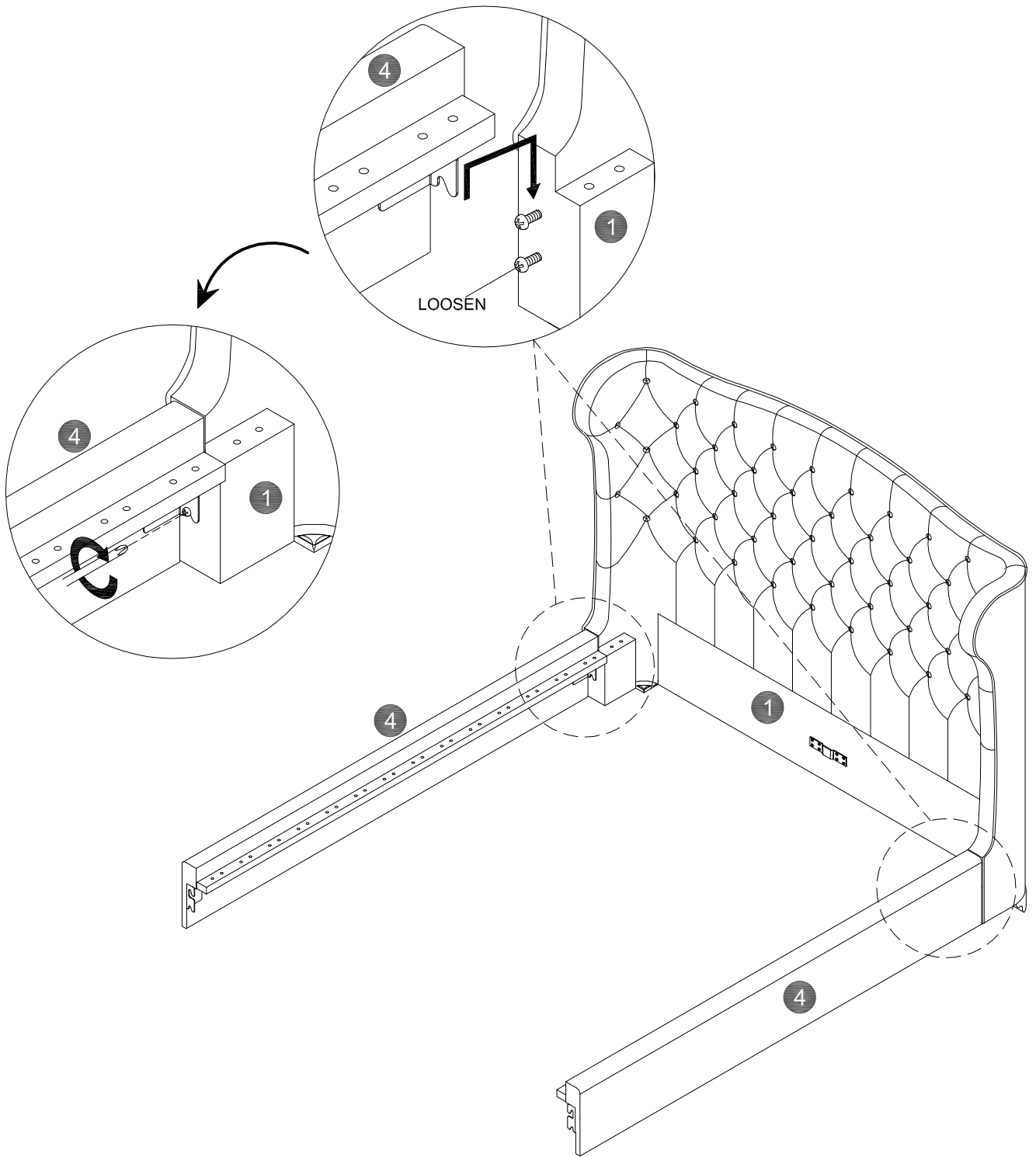
## **CARE INSTRUCTIONS FOR VELVET FABRIC**

- **If liquid has spilled onto the velvet, soak it up with a paper towel or cloth. Make sure there is no food or debris left on the material. Combine a small amount of dish soap and water in a bucket, mixing it until it become soapy. Soak the cloth in the soapy water and apply it gently to the stain. Use the soapy cloth to blot the stain until it disappears. It is important for the velvet fabric to dry quickly. Use a hair dryer luke warm to accelerate the drying process.**
- **Carefully apply the upholstery cleaner to velvet with soft sponge, leaving the velvet's pile undisturbed. After it is clean, be sure to vacuum and brush the velvet follow the grain always.**
- **A steam cleaner is perfect for removing stains, dirt and debris, disinfecting the velvet fabric, without leaving any damage to it. If you have it, apply it on your velvet upholstery for cleaning it with better results.**
- **How to remove a light crease mark for velvet fabric. Use the portable steamer lowest heat setting without touching the velvet surface. Run the steamer over the material, allow the steam to penetrate the material, then slowly it will remove the crease mark.**
- **If you have concerns regarding liquid/stain removal on your product, please consult a professional cleaning company.**

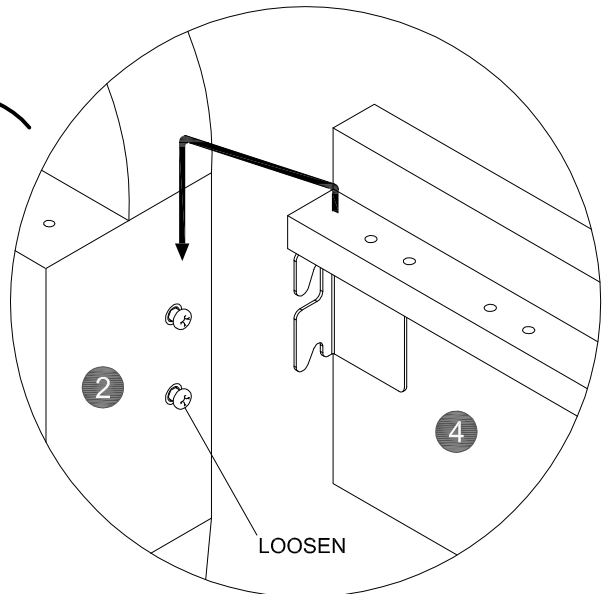
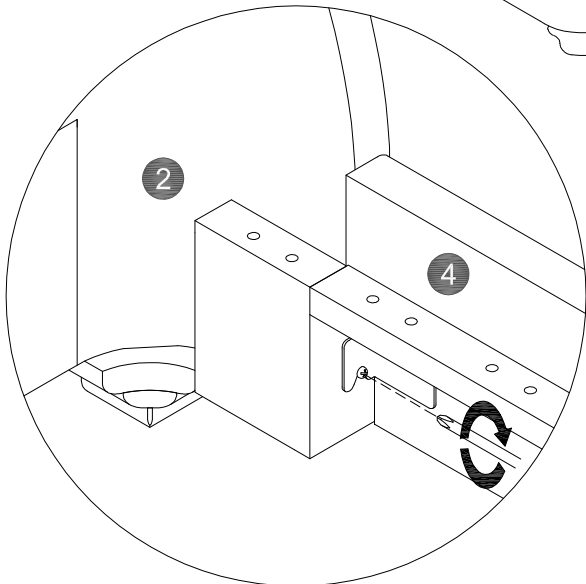
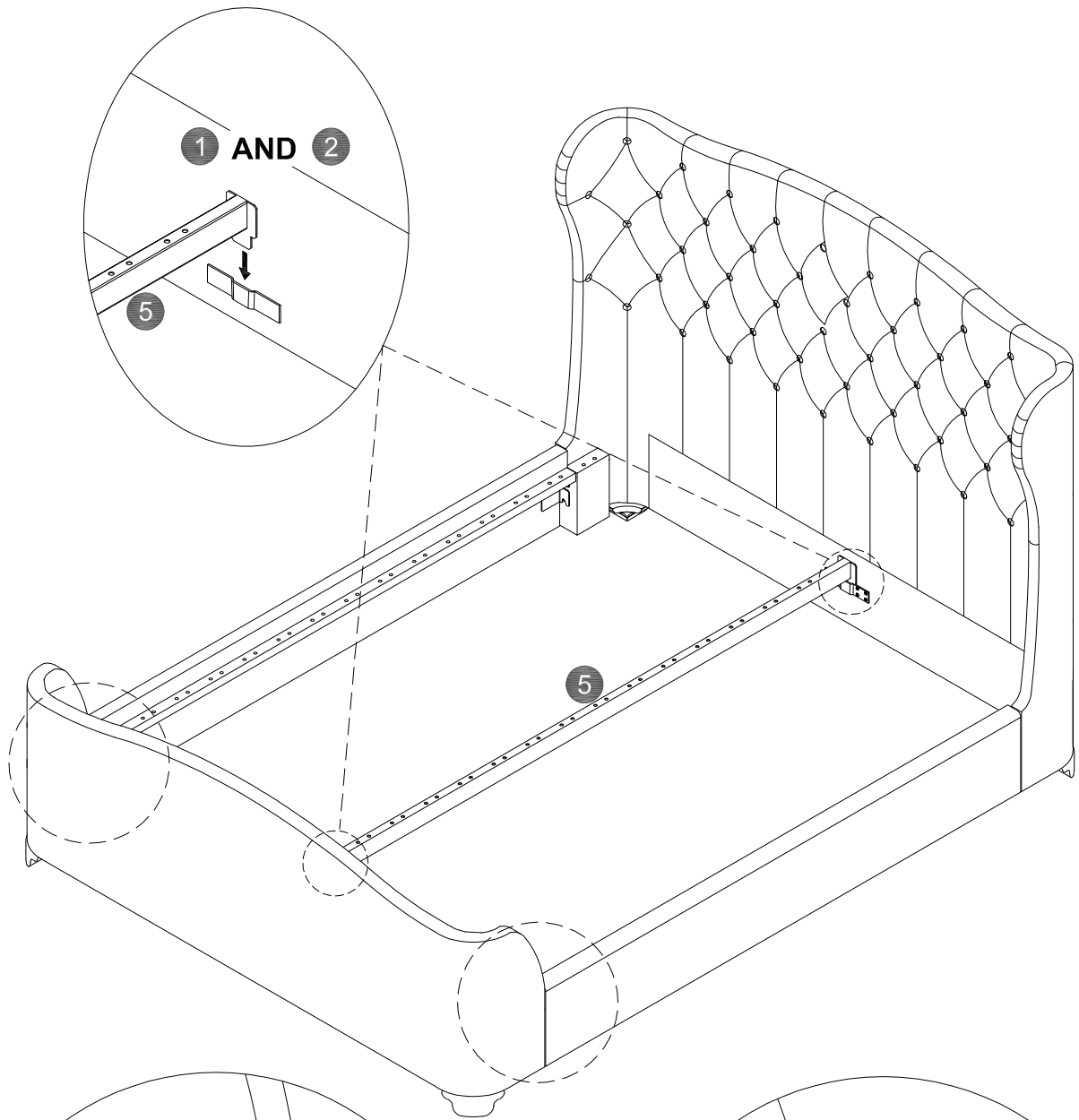
# STEP 1



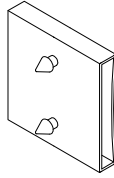
# STEP 2



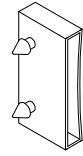
# STEP 3



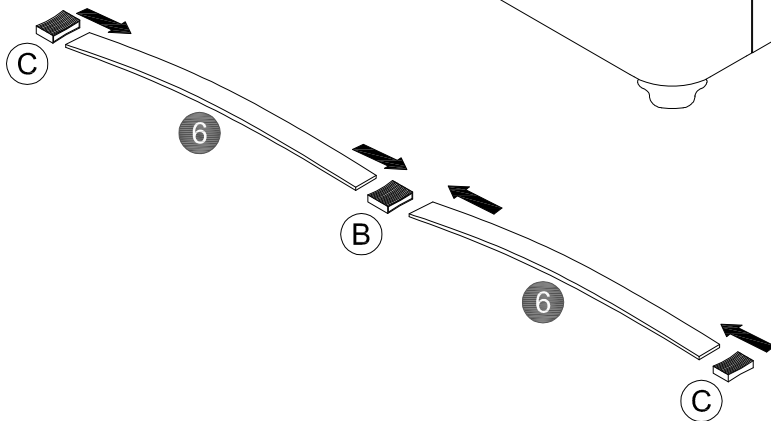
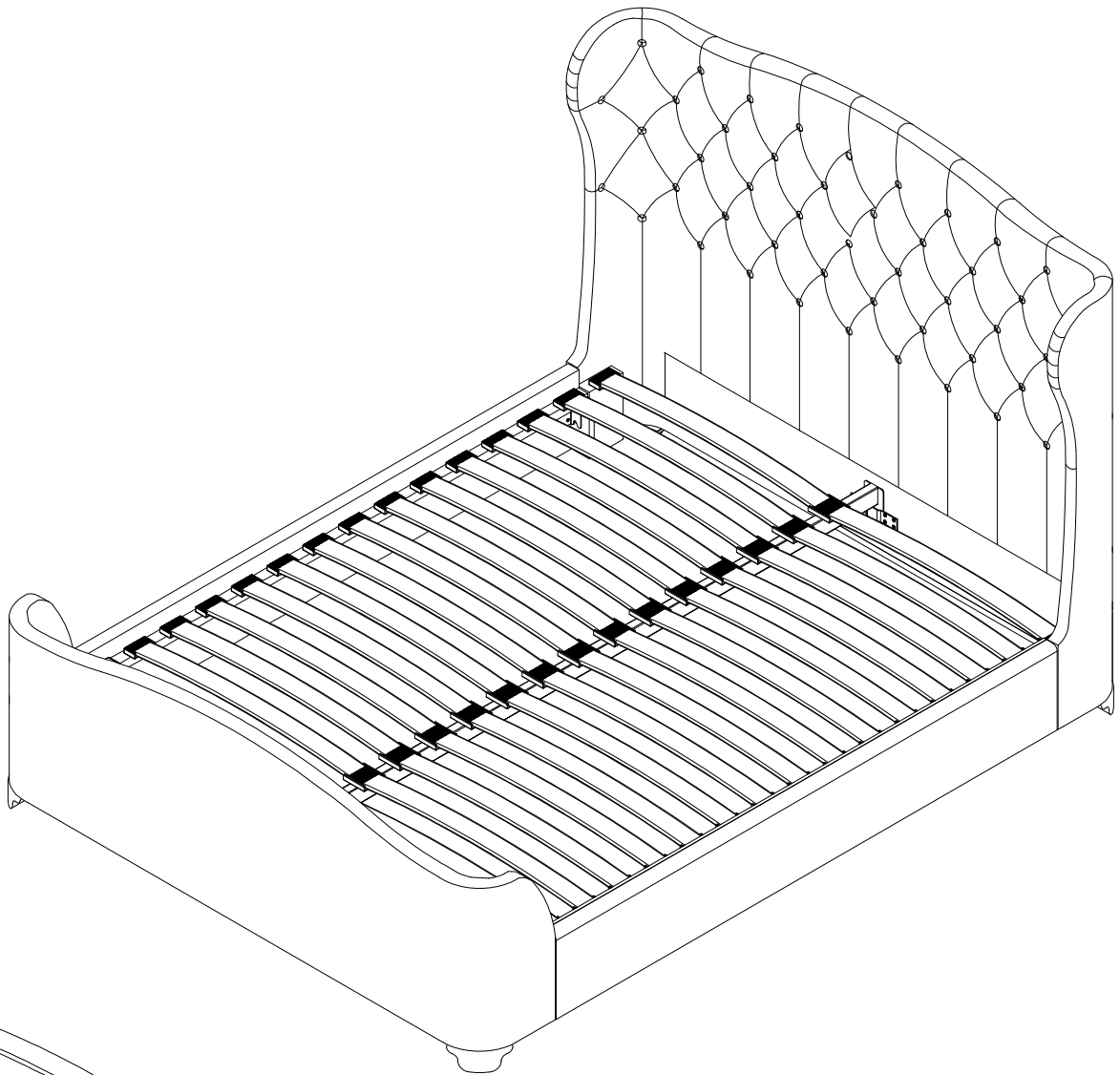
**STEP 4**



B- Centre Caps X 16



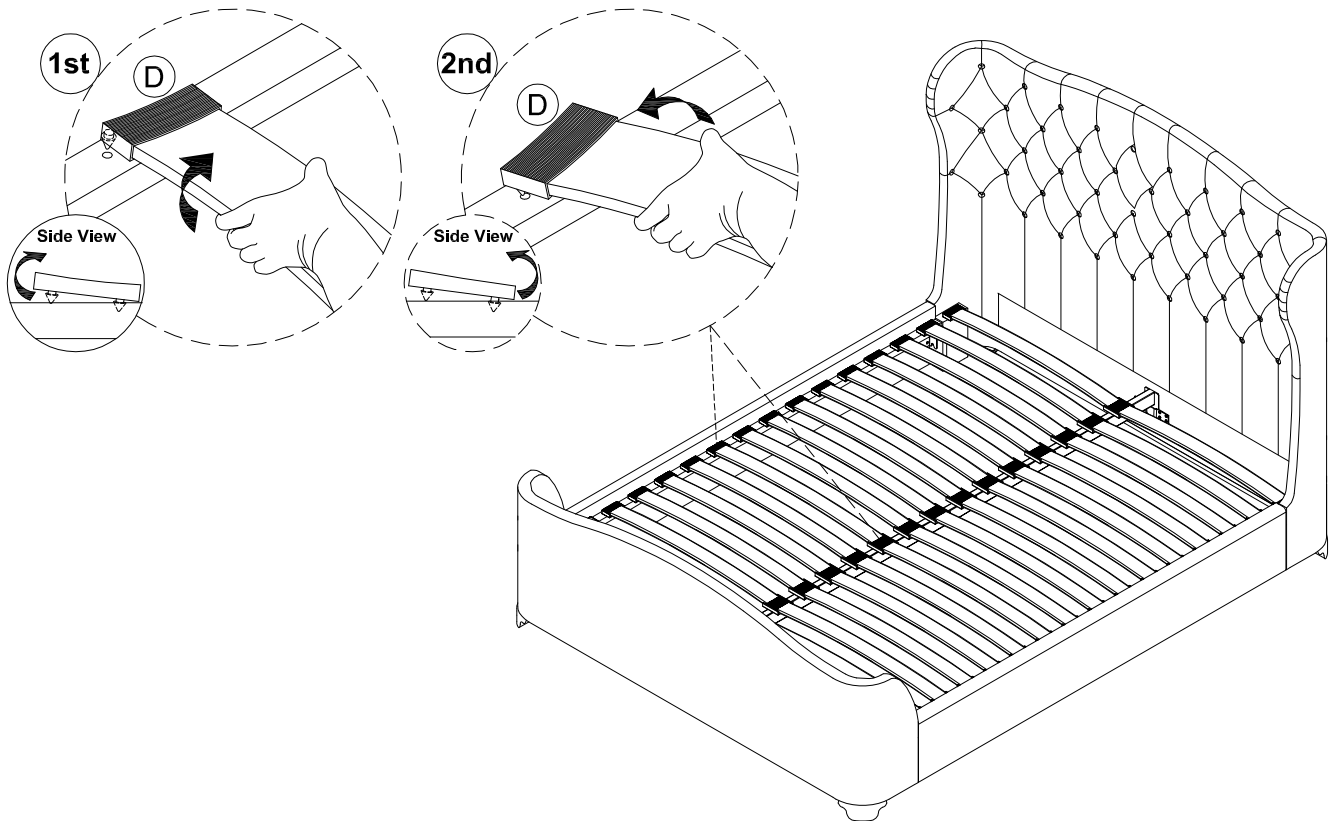
C- Side Caps X 32





If the bed frame requires dismantling remove the slats and caps by following the steps below:

- Loosen both end caps from the siderail supports & remove one side of slats as shown.



- Use the remaining slats to remove the middle caps slowly as shown.

