

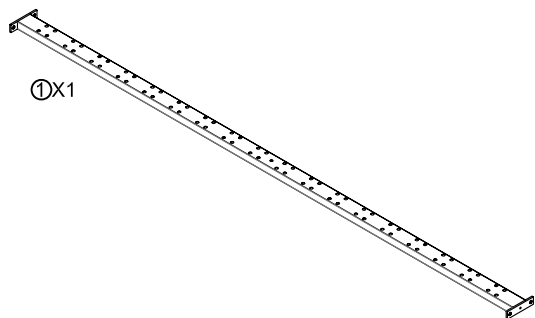
# WINDSOR 120cm to 180cm BED



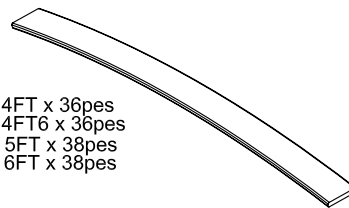
## ASSEMBLY INSTRUCTIONS



## PARTS LIST



①X1



②4FT x 36pes  
4FT6 x 36pes  
5FT x 38pes  
6FT x 38pes

## HARDWARE LIST



ⒶM8X20mm=8pcs



ⒷM6X40mm=1pc



ⒸM6X20mm=4pcs



Ⓓ1pc



Ⓔ1pc

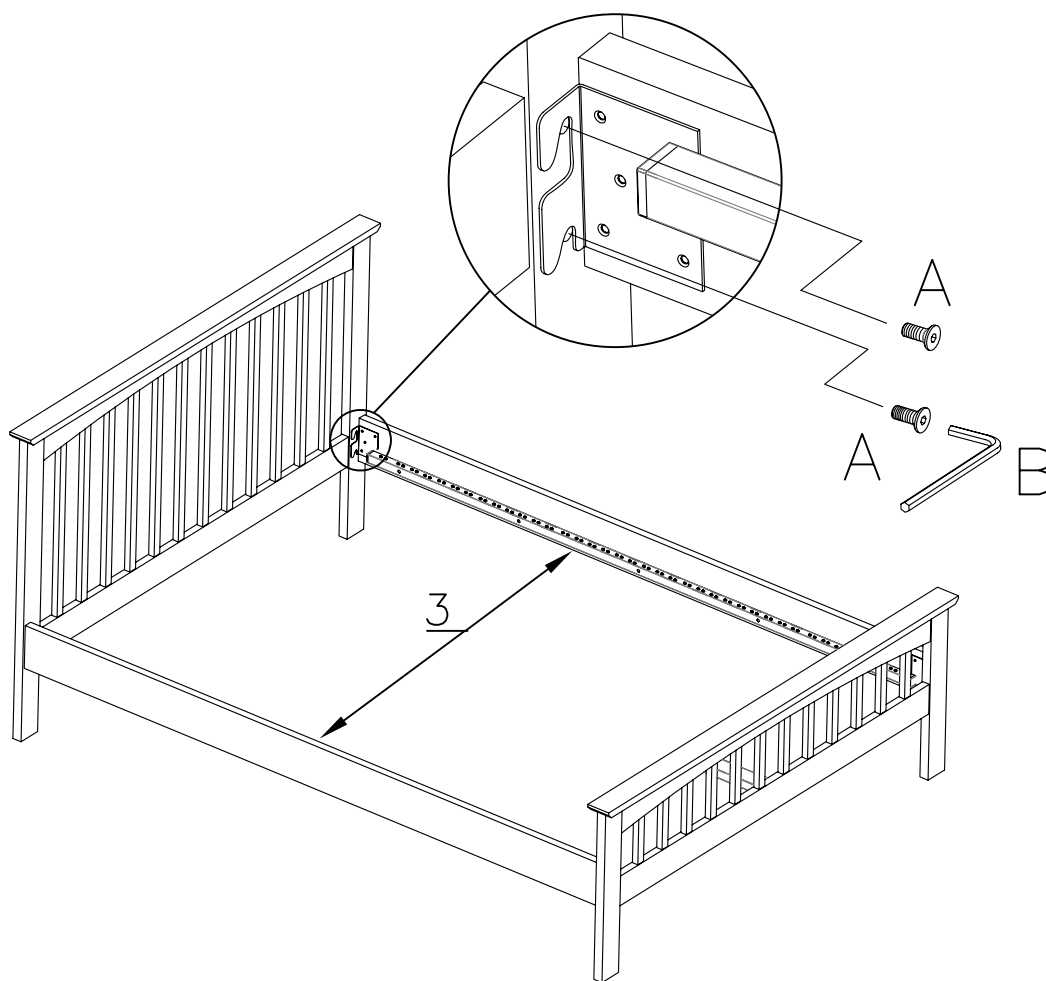


Ⓕ4FT x 72pes  
4FT6 x 72pes  
5FT x 76pes  
6FT x 76pes

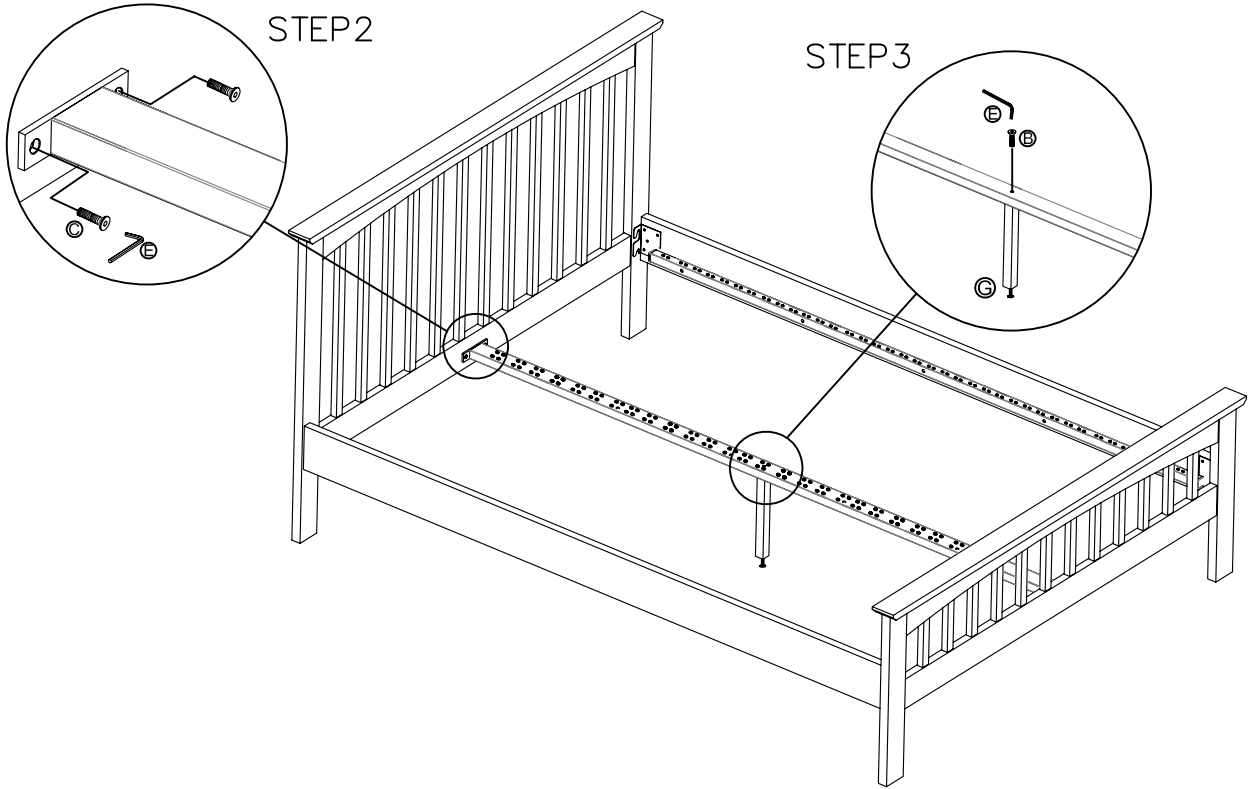


Ⓖ1pc

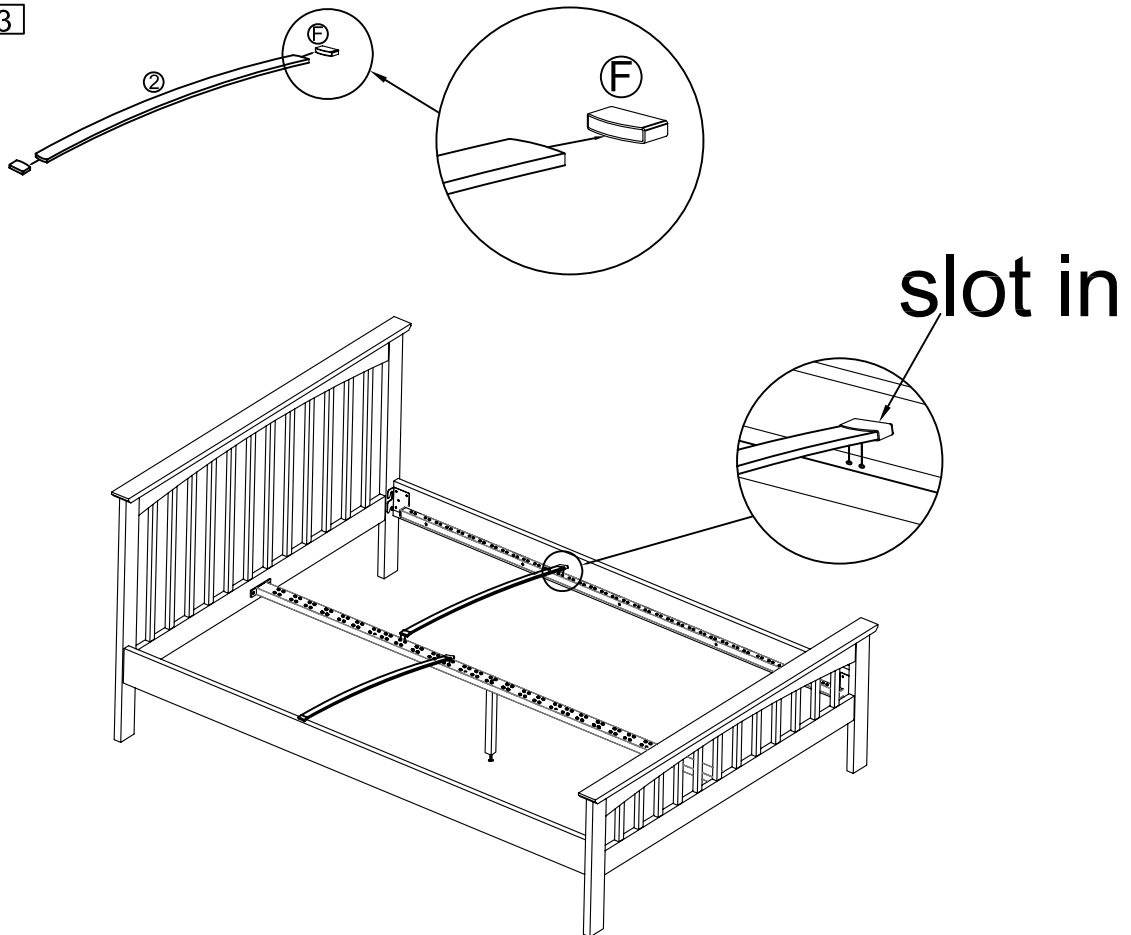
## STEP1



**STEP2**



**STEP3**



## STEP 4



## CARE INSTRUCTIONS

- Wipe clean using a soft damp cloth followed by a dry cloth.
- Do not use abrasives or cleaning products which may contain ammonia or solvents.
- Take care when handling or moving the furniture. Careless handling can damage furniture, try to lift rather than drag.