



Birlea

Suppliers of inspiration

Vendor: S000238



ASSEMBLY INSTRUCTIONS SANTIAGO 3 DRAWER BEDSIDE

IMPORTANT: READ THESE INSTRUCTIONS CAREFULLY BEFORE ASSEMBLING OR USING YOUR SANTIAGO 3 DRAWER BEDSIDE.

PLEASE KEEP THESE INSTRUCTIONS FOR FUTURE REFERENCE.

HEALTH & SAFETY:

DO NOT use this item if any parts are missing, damaged or worn.

DO NOT use this item unless all fixings are secured.

Please keep small parts out of reach of children.

Always use on a level, even surface.

It is recommended that two people handle and assemble the item

CARE & MAINTENANCE:

Assemble in the room of use.

To avoid damages assemble the item on a soft, clean surface

Periodically check all screws & fixings to ensure they are secure.

DO NOT push the item as this will damage the base.

Always lift the item with two people to reposition.

Keep any sharp objects away from the item.

This product is manufactured in pine which is a wood with natural characteristics including knots, grains, clusters or indentations

On unpacking the item you may notice an odour due to production processes but this will disappear after a period of time.

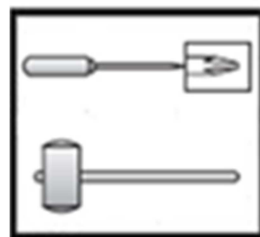
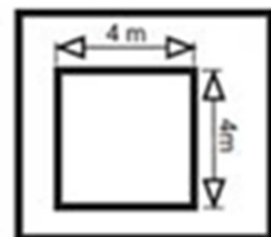
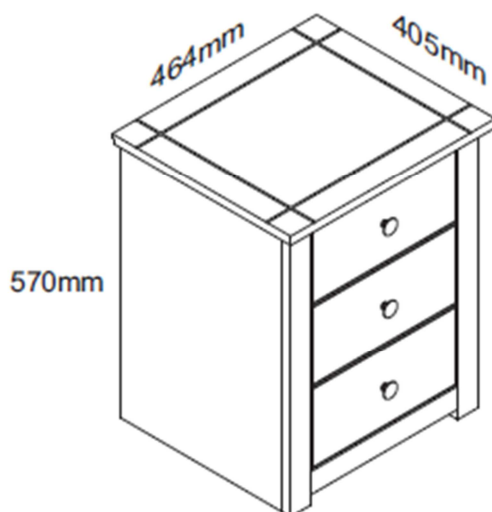
DO NOT place the item next to a radiator or direct sunlight – this item is susceptible to temperature change.

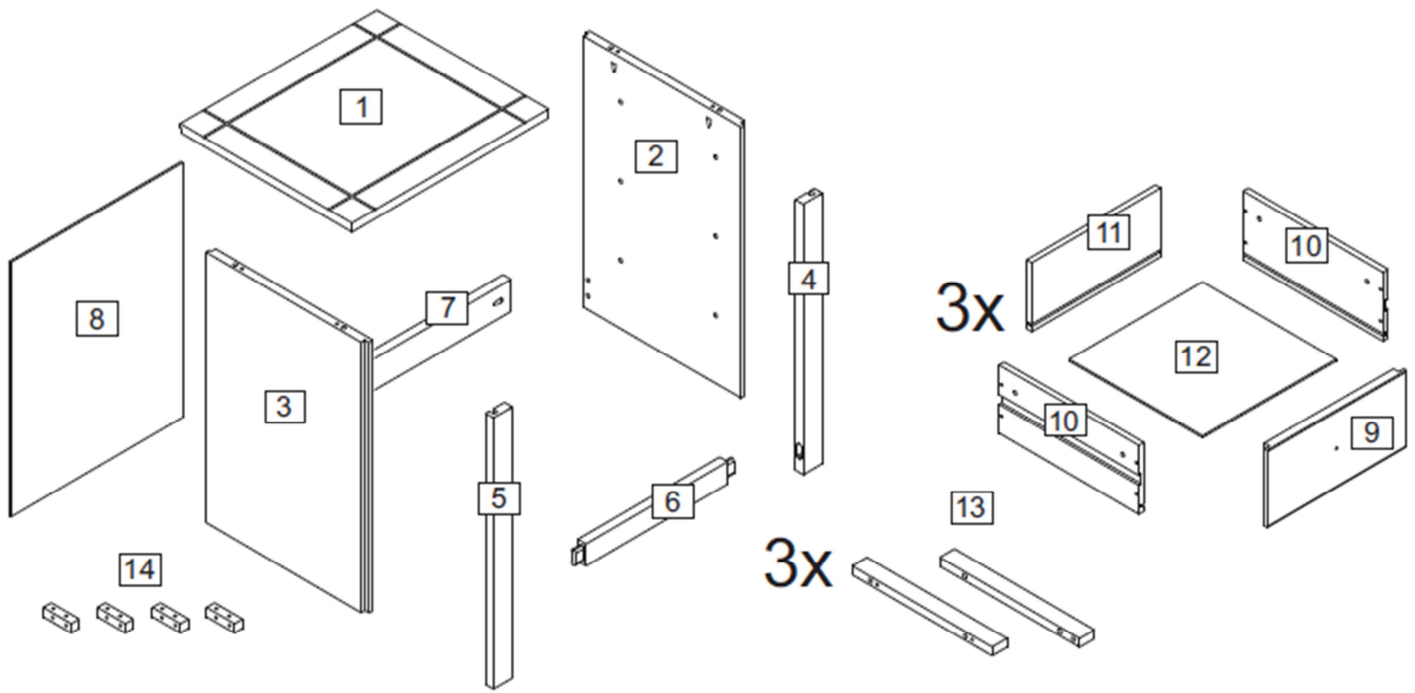
It is recommended an even room temperature be maintained with no sudden fluctuations.







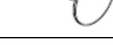
DO NOT place hot or cold items directly onto the surface of the item as marking will occur

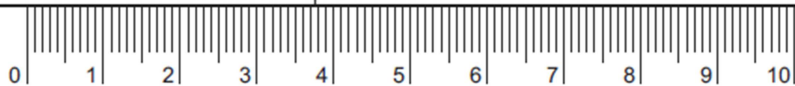
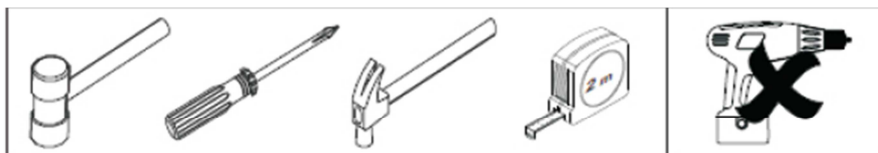
For general cleaning use a duster or damp cloth (almost dry) not wet – do not use soap and water, detergents, aerosol sprays or any polish as use of these materials would invalidate any claims.

DO NOT place the item onto wet or damp flooring as staining may occur to the floor



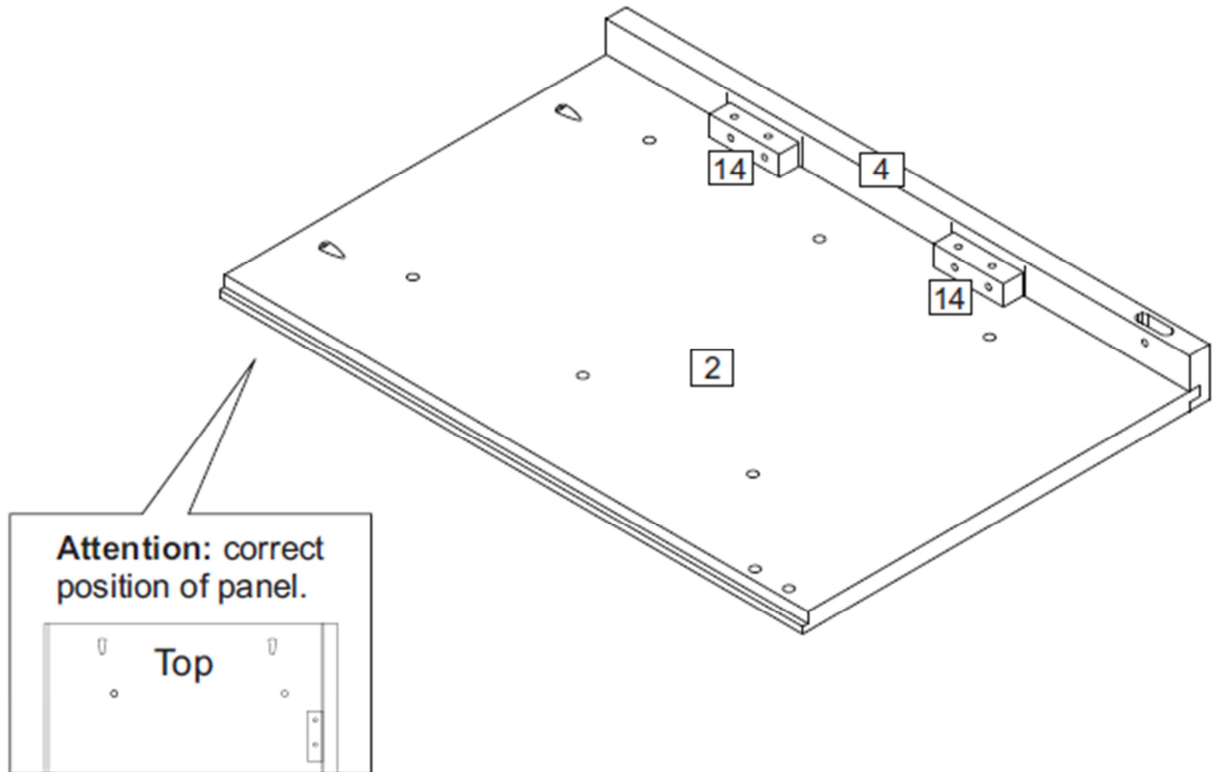


Parts List			Hardware List		
Part	Description	Qty	Part	Description	Qty
1	Top Panel	1	A	Wooden Dowel 	32
2	Right Panel	1	B	14 mm Screw 	2
3	Left Panel	1	C	30 mm Screw 	24
4	Right Front Frame	1	D	35 mm Screw 	34
5	Left Front Frame	1	E	19 mm Bolt 	3
6	Bottom Front Frame	1	F	Handle 	3
7	Rear Base Plinth	1	G	Nail 	16
8	Back Panel	1	** You will need a small mallet and a screwdriver.		
9	Drawer Front	3			
10	Drawer Side	6			
11	Drawer Back	3			
12	Drawer Base	3			
13	Drawer Runner	6			
14	Cleat	4			



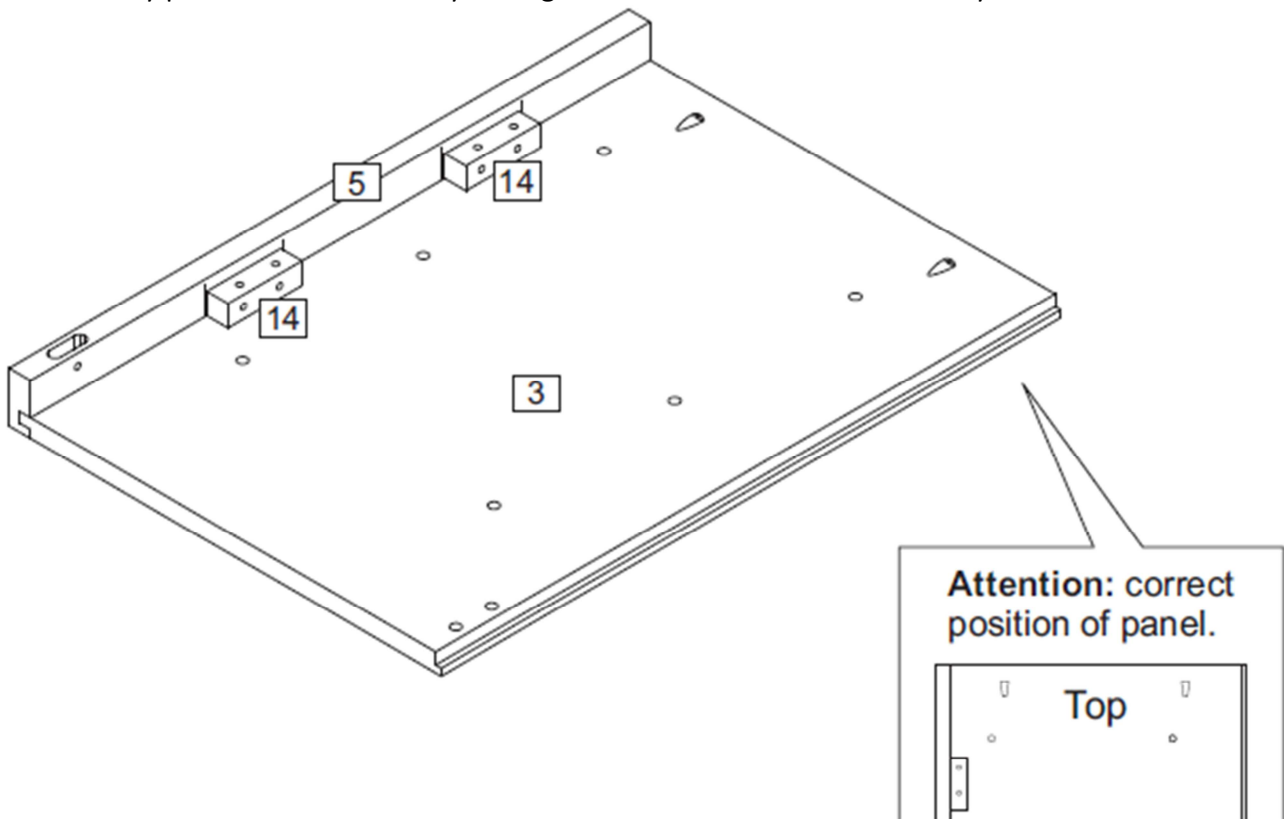
Step 1: Insert the right panel (2) to the right front frame (4) ensuring parts are fully pushed together and lined up correctly. Place the cleats (14) between the marks shown and secure using hardware part D with a screwdriver (not provided).

DO NOT use any power tools as this may damage the frame and will invalidate any claim

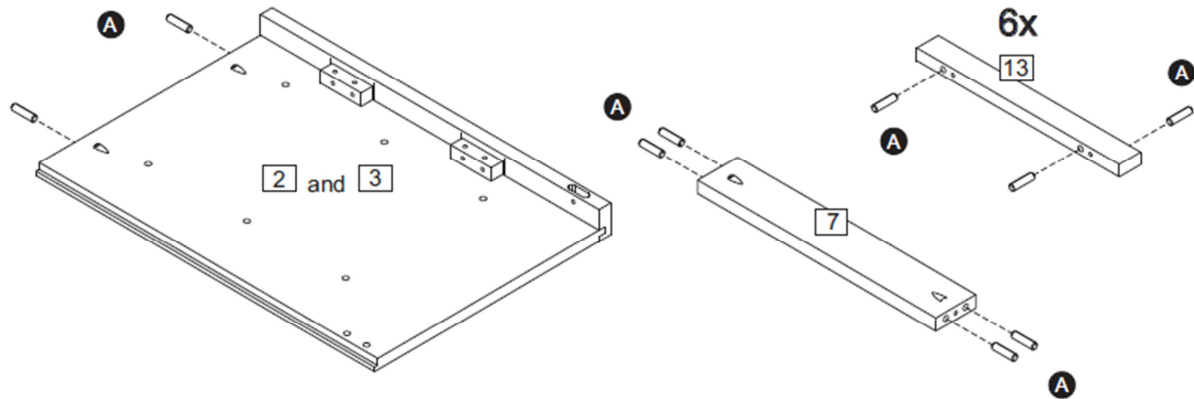


Step 2: Insert the left panel (3) to the left front frame (5) ensuring parts are fully pushed together and lined up correctly. Place the cleats (14) between the marks shown and secure using hardware part D with a screwdriver (not provided).

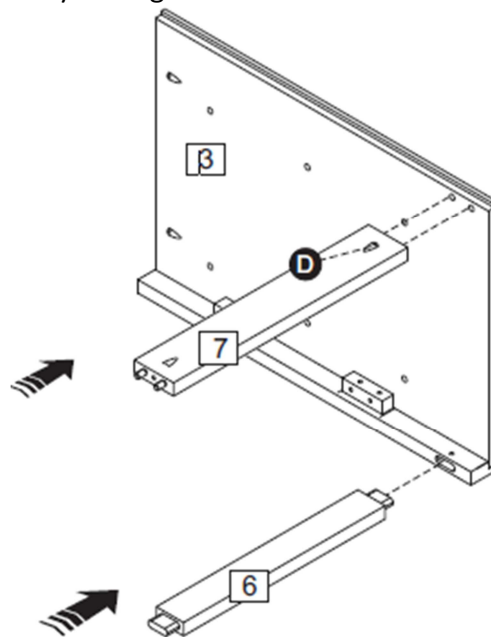
DO NOT use any power tools as this may damage the frame and will invalidate any claim



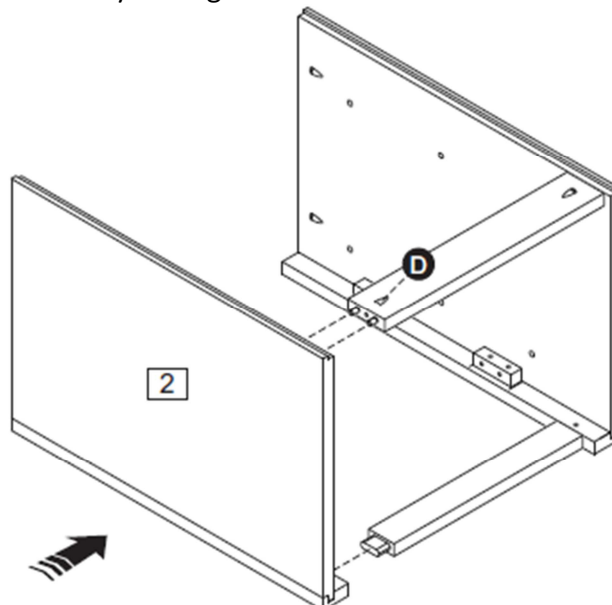
Step 3: Insert hardware part A using a small mallet (not provided).
DO NOT use any power tools as this may damage the frame and will invalidate any claim



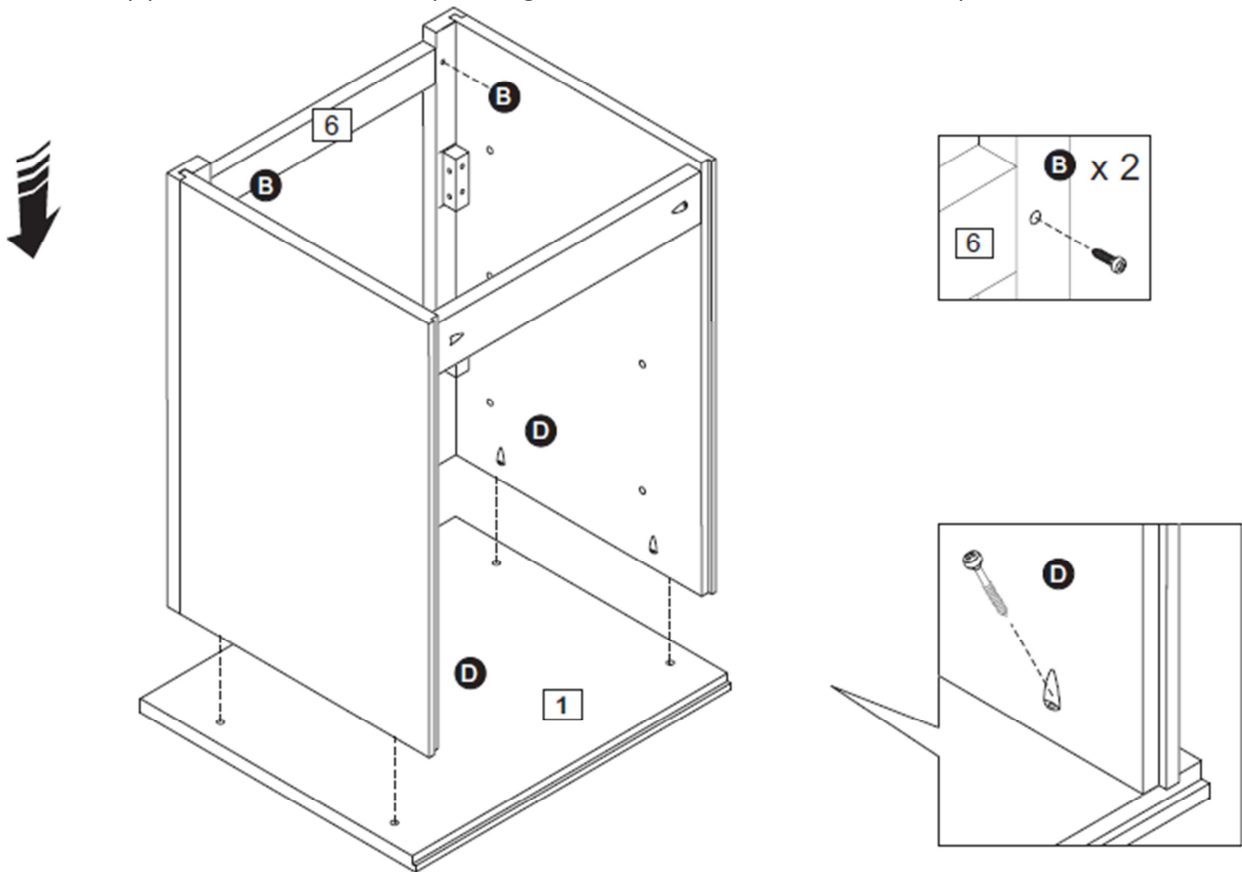
Step 4: Attach the bottom front frame (6) and rear base plinth (7) to the left panel (3) using hardware part D and a screwdriver (not provided).
DO NOT use any power tools as this may damage the frame and will invalidate any claim



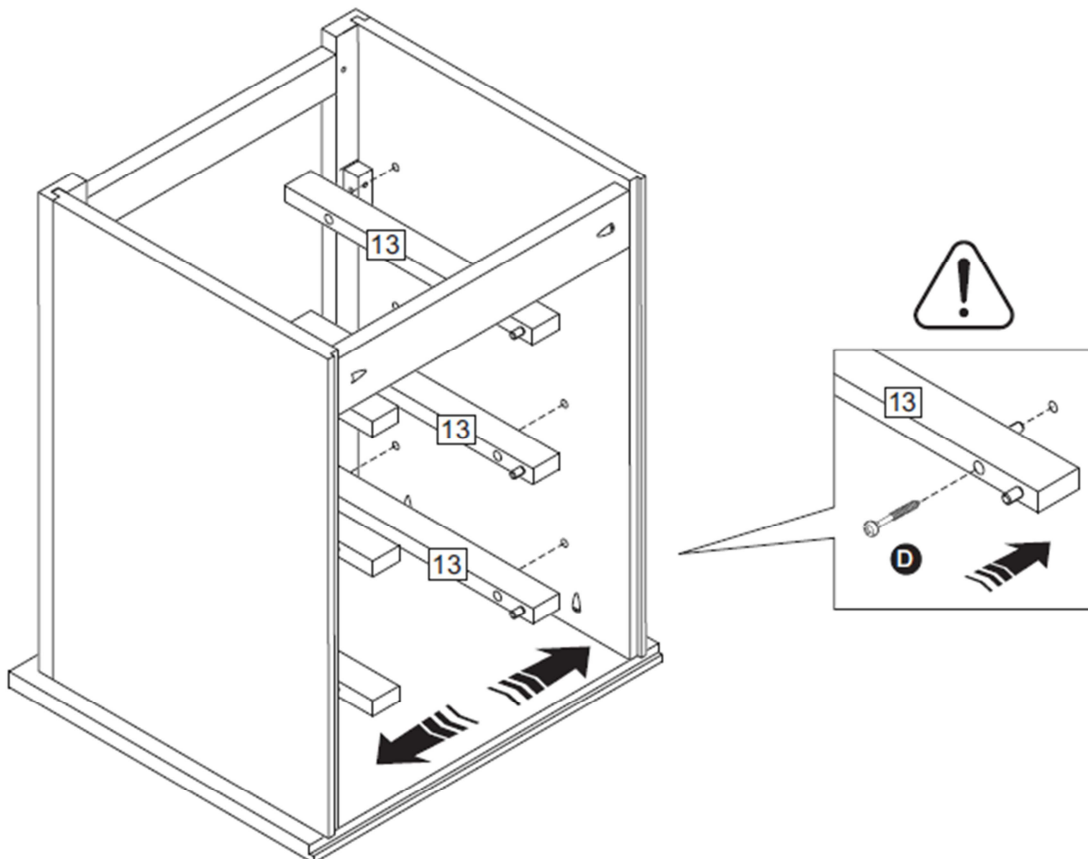
Step 5: Attach the right panel (2) using hardware part D and a screwdriver (not provided).
DO NOT use any power tools as this may damage the frame and will invalidate any claim



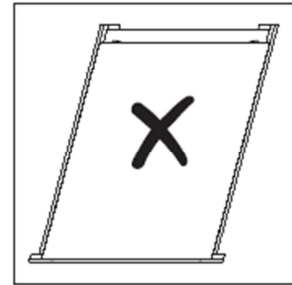
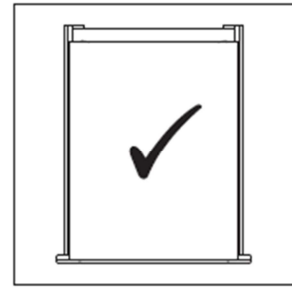
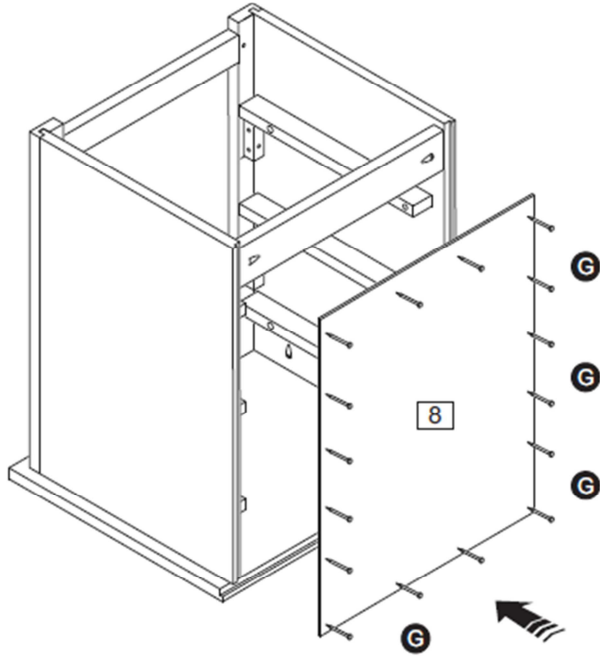
Step 6: Attach the top panel (1) and secure using hardware part D, then secure the bottom front frame (6) into position using hardware part B. You will need to use a screwdriver (not provided). DO NOT use any power tools as this may damage the frame and will invalidate any claim



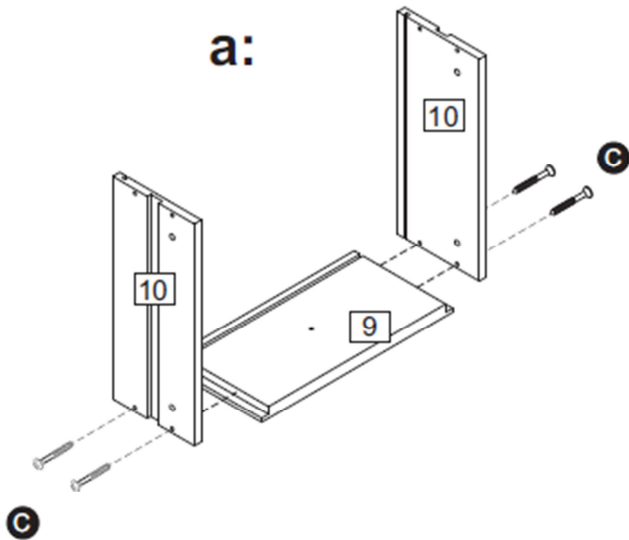
Step 7: Attach the drawer runners (13) using hardware part D and a screwdriver (not provided). DO NOT use any power tools as this may damage the frame and will invalidate any claim



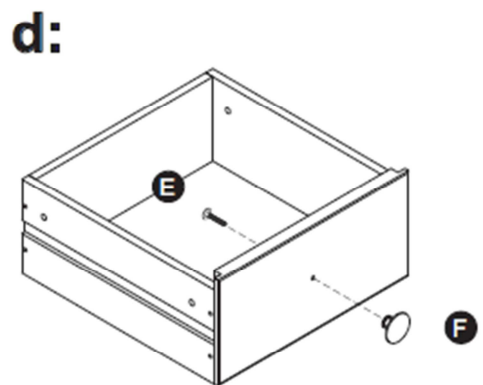
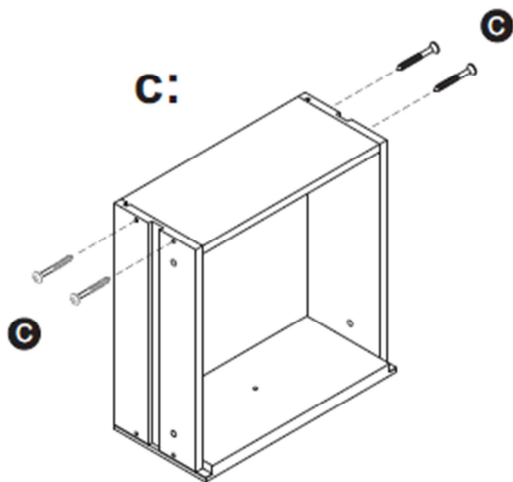
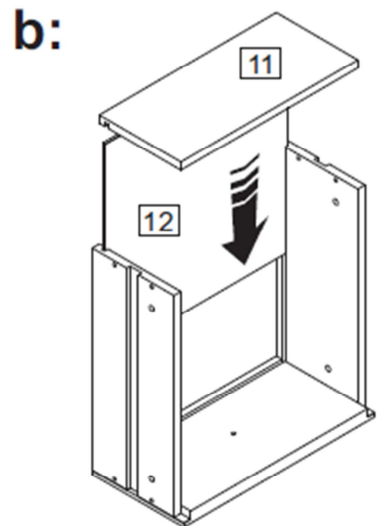
Step 8: Attach the back panel (8) using hardware part G and a small mallet (not provided).
DO NOT use any power tools as this may damage the frame and will invalidate any claim



Step 9: Assemble the drawer components using hardware parts C, E and F with a screwdriver (not provided).
DO NOT use any power tools as this may damage the frame and will invalidate any claim

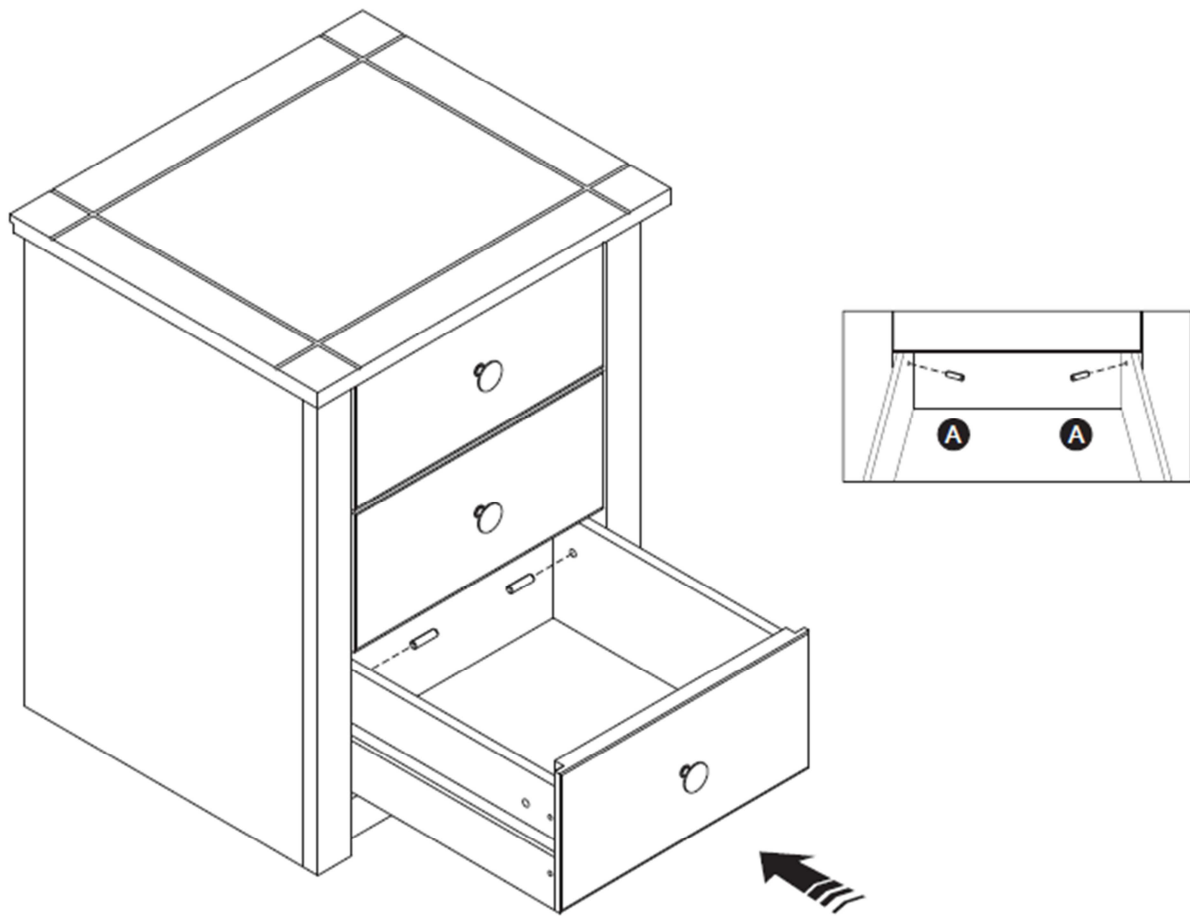


3x



Step 10: Insert the assembled drawers and secure into position using hardware part A and a small mallet (not provided).

DO NOT use any power tools as this may damage the frame and will invalidate any claim



Additional Information:

- For complete product information, images and dimension diagrams please visit the website www.birlea.com
- If you have any issues with your item please contact the retailer directly you purchased it from who will be able to resolve any issues with Birlea.
- Why don't you send us photos of your assembled furniture to info@birlea.com to be shared in our #birleahome feature on Instagram.