

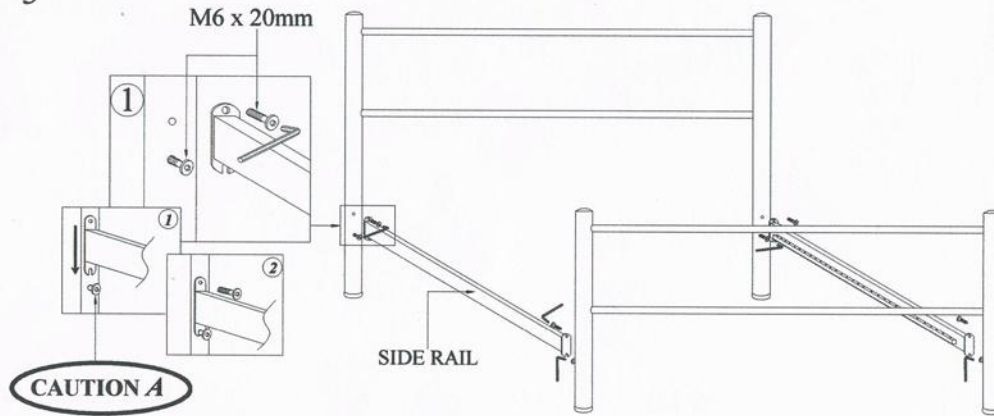
# MODEL :METAL POST / SPRUNG WOOD BED BASE

SIZE :SMALL DOUBLE / DOUBLE / QUEEN / KING SINGLE / KING BED

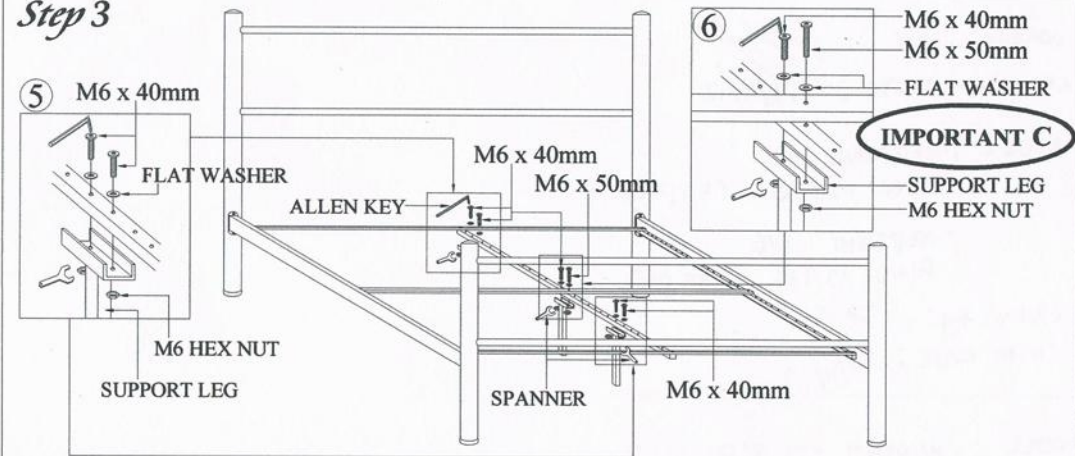
CHLOE 135cm to 150cm BED

Part List							Hardware									
HEAD BOARD	FOOT BOARD	SIDE RAIL	CROSS RAIL	CENTRE RAIL	SUPPORT LEG	SPRUNG WOOD	SINGLE CONNECTOR	DOUBLE CONNECTOR	M6 X 50mm	M6 X 40mm	M6 X 20mm	FLAT WASHER	M6 HEX NUT	SPANNER	ALLEN KEY M4	
1pc	1 pc	2 pcs	3 HOLE 3 pcs	1 pc	3 pcs	24pcs	24pcs	12 pcs	3 pcs	11 pcs	8 pcs	10 pcs	14 pcs	1 pc	1 pc	

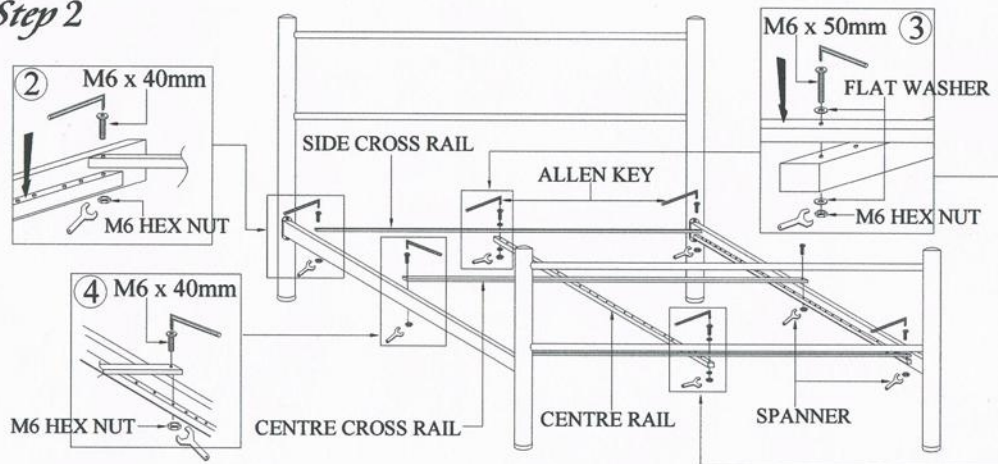
## Step 1



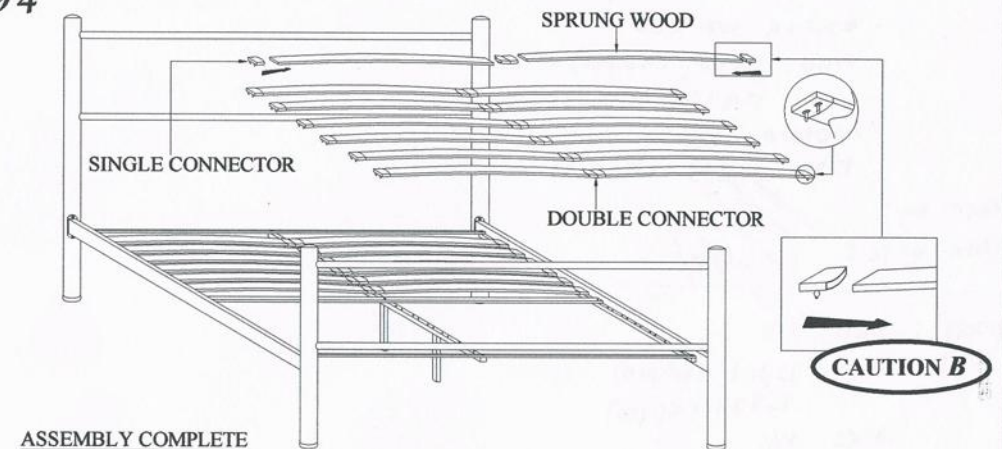
## Step 3



## Step 2



## Step 4



**A**

**CAUTION!**

Do not tight screw, left around 5mm before completely assembled.

**B**

**CAUTION!**

Make sure sprung wood is fully push tightly into single connector, if not by slowly knock single connector until tight into sprung wood.

**C**

**IMPORTANT!**

\*Make sure support leg is straight when screw is fully tighten, if not please do adjustment  
\*When move the bed make sure the bed is fully lifted, if not the support will not be straight

**IMPORTANT!**

\*Tighten all screw and complete product as shown  
\*Ensure cross rails are located in the side rails before placing the mattress on the bed frame"

**ATTENTION!**

- o Wipe clean using a soft damp cloth followed by a dry cloth.
- o Do not use abrasives or cleaning products which may contain ammonia or solvents.
- o Take care when handling or moving the furniture. Careless handling can damage wooden furniture, try to lift rather than drag.



#### CARE INSTRUCTIONS

- Wipe clean using a soft damp cloth followed by a dry cloth.
- Do not use abrasives or cleaning products which may contain ammonia or solvents.
- Take care when handling or moving the furniture. Careless handling can damage furniture, try to lift rather than drag.