

## **ASSEMBLY INSTRUCTIONS** **ROCHELLE FABRIC 3' BED**

**IMPORTANT: READ THESE INSTRUCTIONS CAREFULLY BEFORE ATTEMPTING TO ASSEMBLE OR USE YOUR ROCHELLE FABRIC 3' BED.**

**PLEASE KEEP THESE INSTRUCTIONS FOR FUTURE REFERENCE**

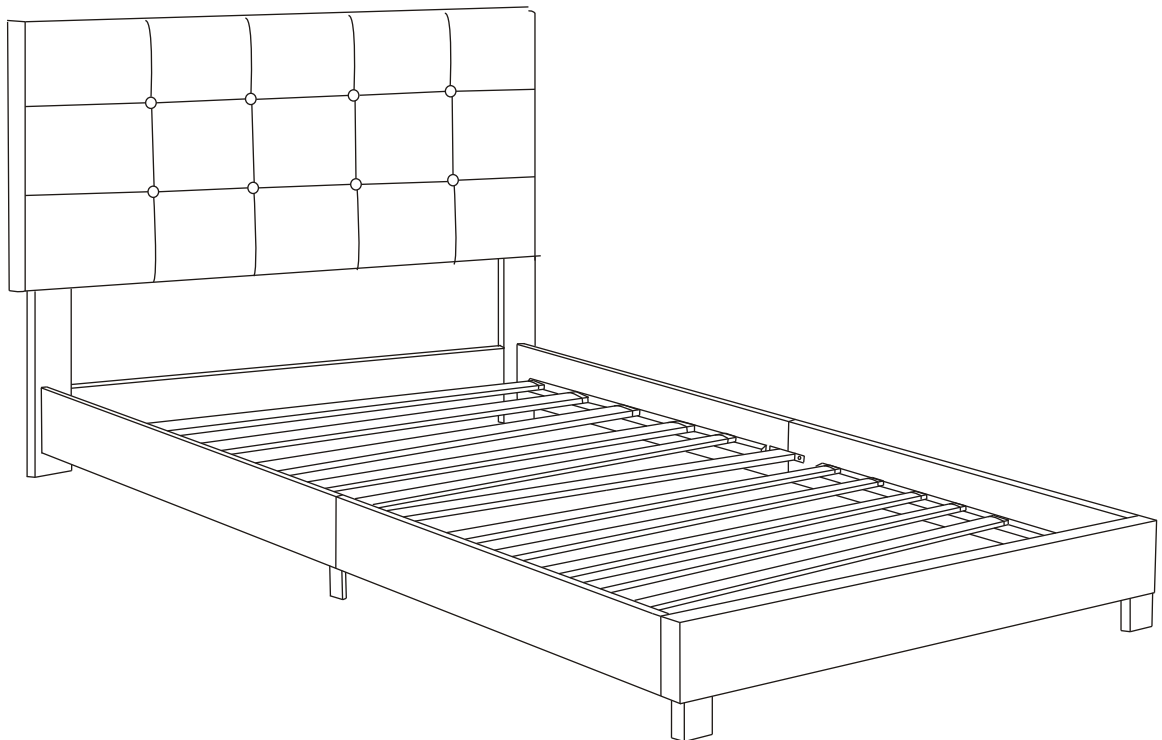
### **HEALTH & SAFETY:**

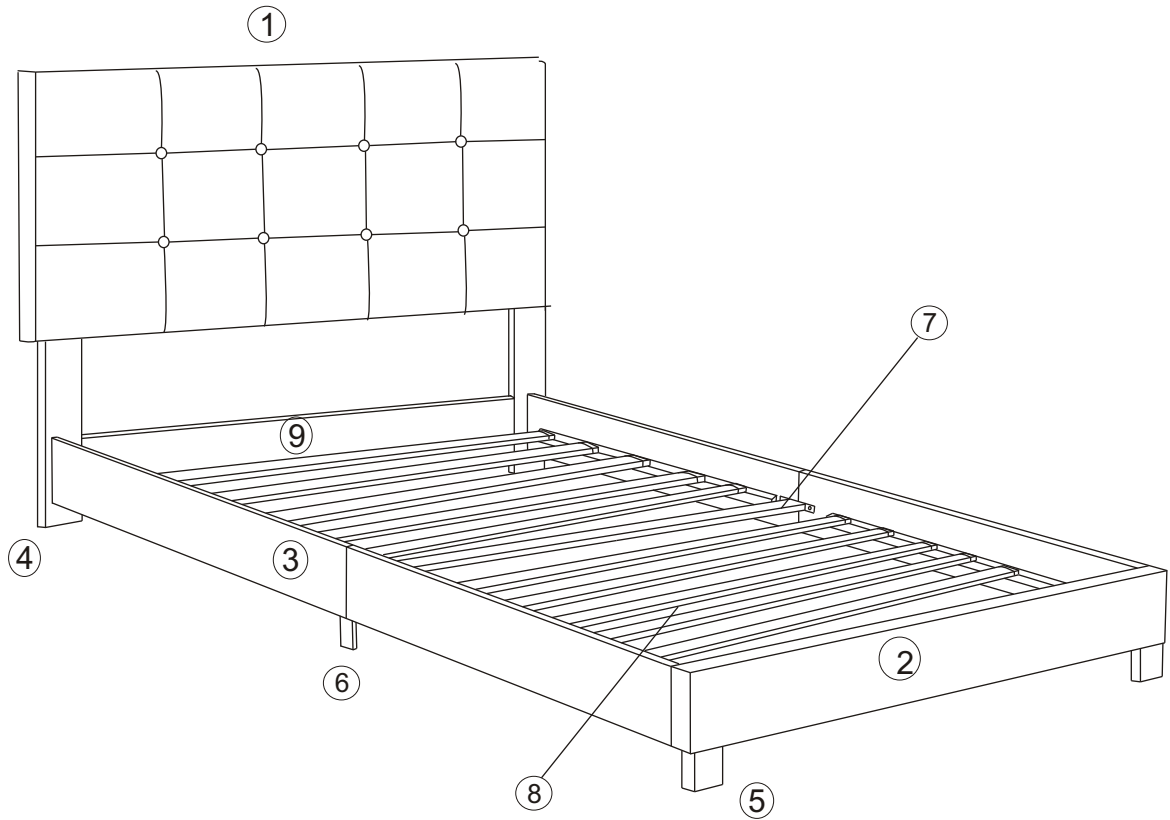
DO NOT jump on this bed frame  
DO NOT use this bed frame if any parts are missing, damaged or worn  
DO NOT use this bed frame unless all fixings are tightly secured  
Always use on a level, even surface




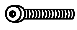


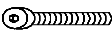




**WARNING:** IF THIS BED FRAME IS ON A LAMINATED FLOOR YOU MUST PLACE SOME PROTECTION UNDER ALL LEGS TO STOP THE BED FRAME FROM MOVING. IF THIS IS NOT ADHERED TO THERE IS NO GUARANTEE IF THE BED FRAME COLLAPSES.

### **CARE & MAINTENANCE:**

Periodically check all screws & fixings to ensure they are tightly secured  
DO NOT push the bed frame as this will damage the legs.  
Always lift the bed with 2 people whenever you need to change the bed frames position  
Keep any sharp objects away from the bed frame





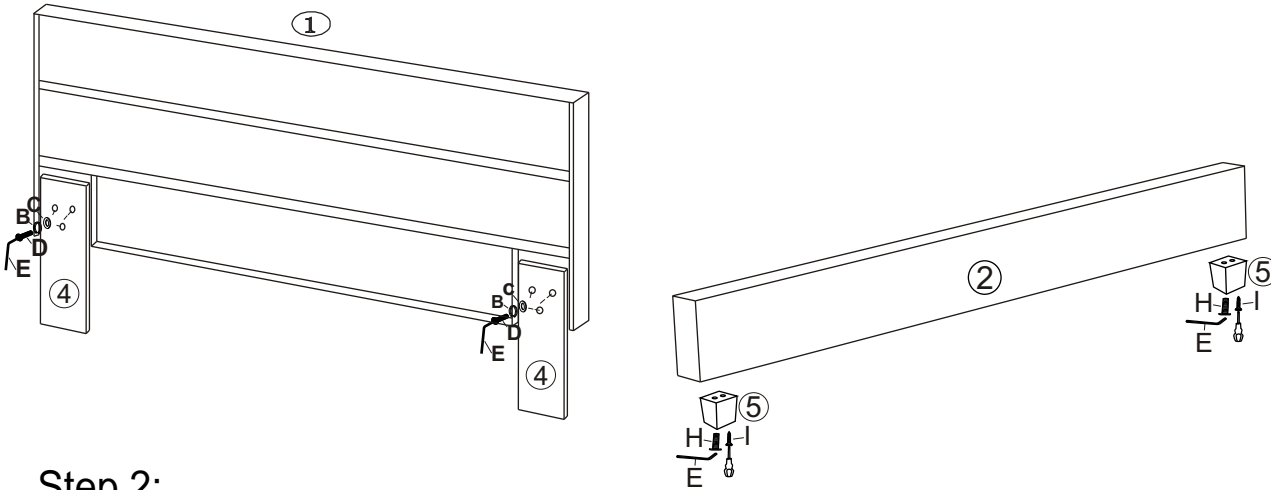
PARTS LIST				HARDWARE LIST(Found in box1)			
No	Item	Box	Qty	No	Item		Qty
1	Headboard	1	1	A	Bolts (M8x20mm)		20
2	Footboard	1	1	B	Spring Washer		28
3	Side Rails	1	4	C	Flat Washer		28
4	Legs under Headboard	1	2	D	Bolts (M8x55mm)		8
5	Legs under Footboard	1	2	E	M5 Allen Key		1
6	Side Rail Support Legs	1	2	G	Single Slat Caps		24
7	Cross bar	1	1	H	Bolts (M8x70mm)		2
8	Slats	1	12	I	Screw		2
9	Connection panel under headboard	1	1	J	Connection plate		2
				K	Connection plate		2
				L	Bolts (M8x30mm)		8

**DO NOT use any power tools as this may damage the frame and will invalidate any claims.**

**Step 1:**

Attach the legs (4) to the headboard (1) using hardware parts (B),(C),(D) & (E).

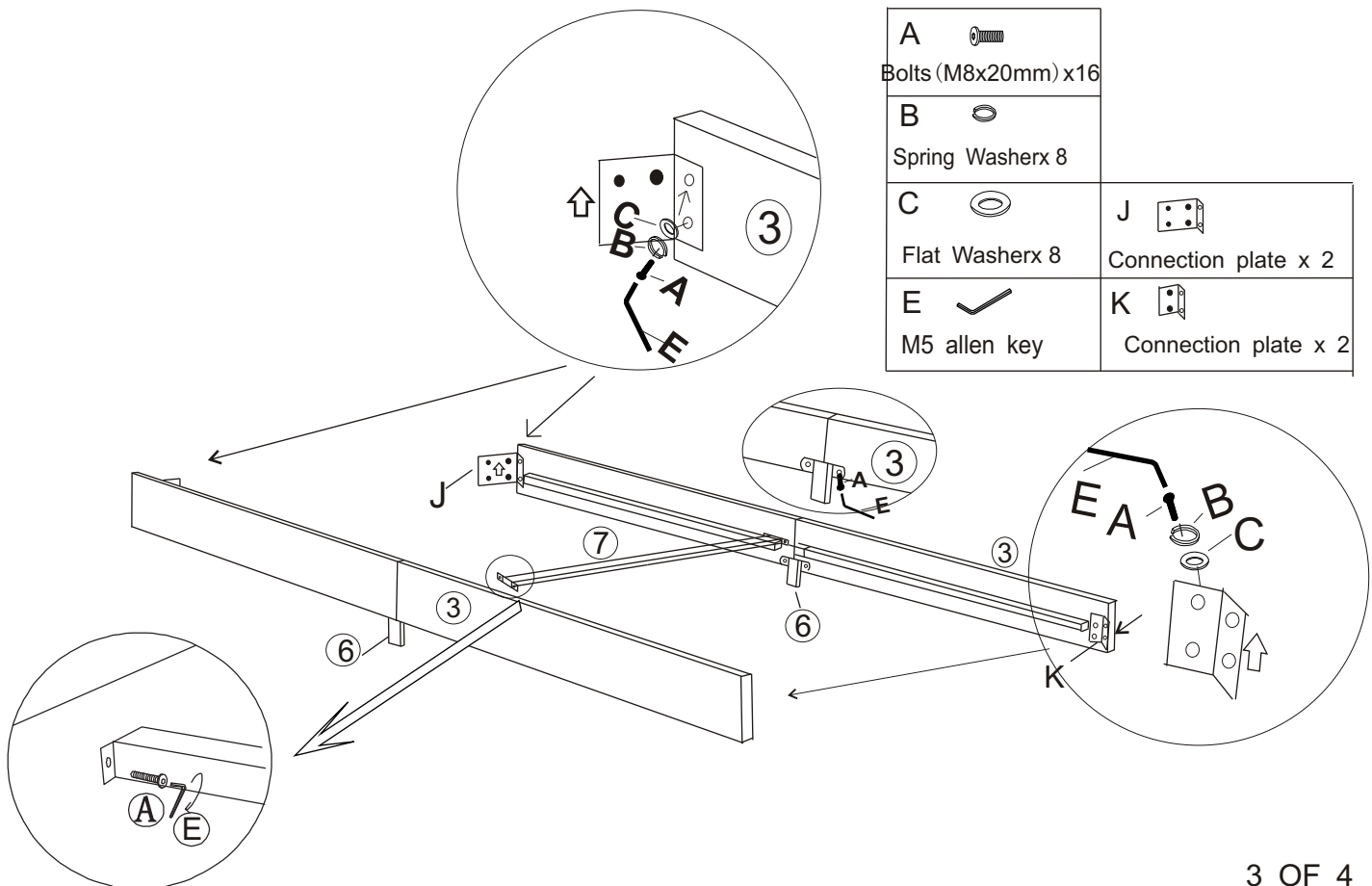
Then attach the legs (5) to the footboard (2) using hardware parts (H), (E) & (I).



I		Screw x2
H		Bolts (M8x70mm) x2
5		Legs x 2
B		Spring Washer x 8
C		Flat Washer x 8
4		Legs x 2
E		M5 allen key
		Screwdriver (Not provided)
D		Bolts (M8x55mm) x8

**Step 2:**

Attach the connection plate (J) & (K), cross bar (7) and the side rail support legs (6) to the siderail (3) using hardware (A), (B), (C) & (E).



A		Bolts (M8x20mm) x16	J		Connection plate x 2
B		Spring Washer x 8	K		Connection plate x 2
C		Flat Washer x 8			
E		M5 allen key			

### Step 3:

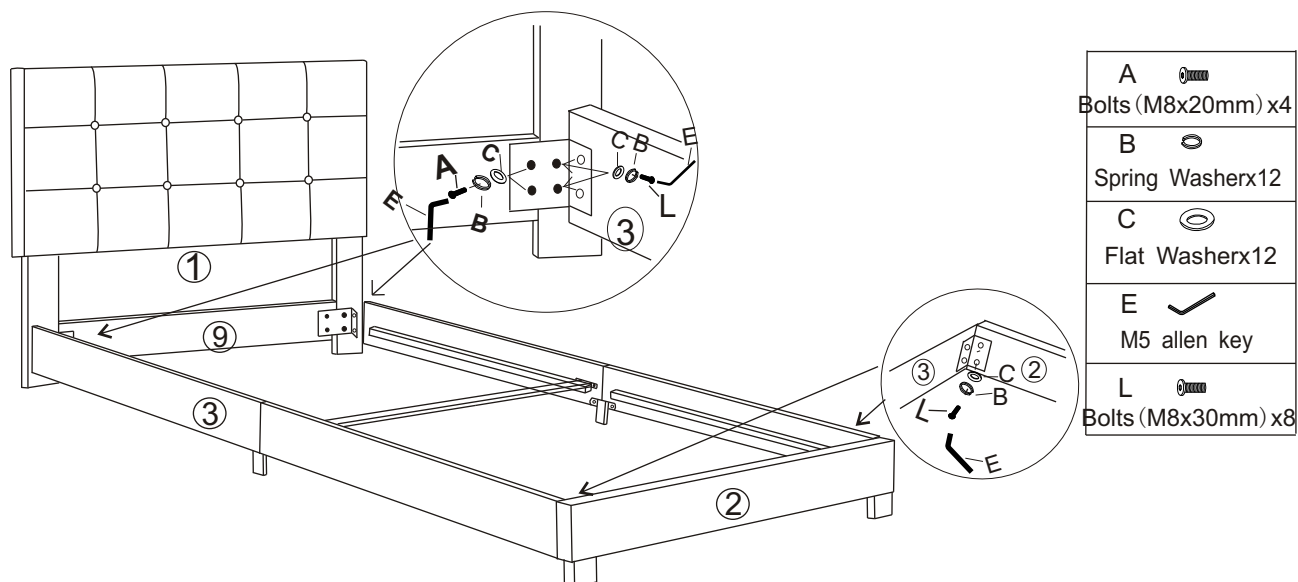
Attach the siderail (3) to the footboard (2) using hardware (L),(B),(C) & (E).

### Step 4:

Attach the siderail (3) to the headboard (1) using hardware parts (L),(B), (C) & E).

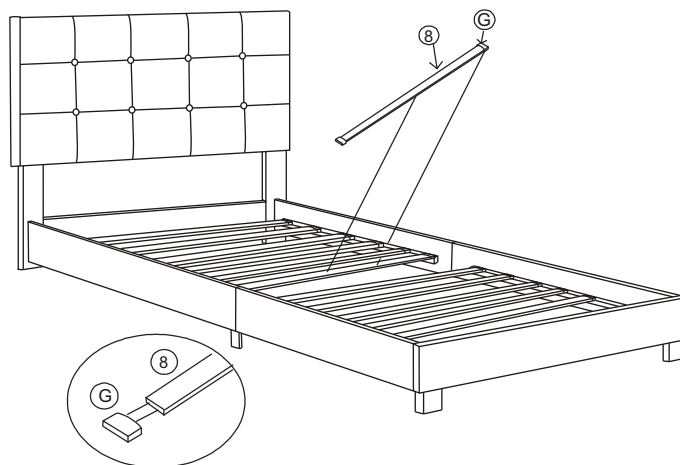
### Step 5:

Attach the connection panel (9) to the legs (4) using hardware parts (A),(B),(C) & (E).



### Step 6:

Assemble the slats (8) as shown in the diagram below then push all of the plastic caps (G) firmly into the siderails (3).



### Additional Information:

- For complete product information, images and dimension diagrams please visit the website [www.birlea.com](http://www.birlea.com)
- If you have any issues with your item please contact the retailer directly you purchased it from who will be able to resolve any issues with Birlea.
- Why don't you send us photos of your assembled furniture to [info@birlea.com](mailto:info@birlea.com) to be shared in our #birleahome feature on Instagram.



**Birlea**

Suppliers of inspiration