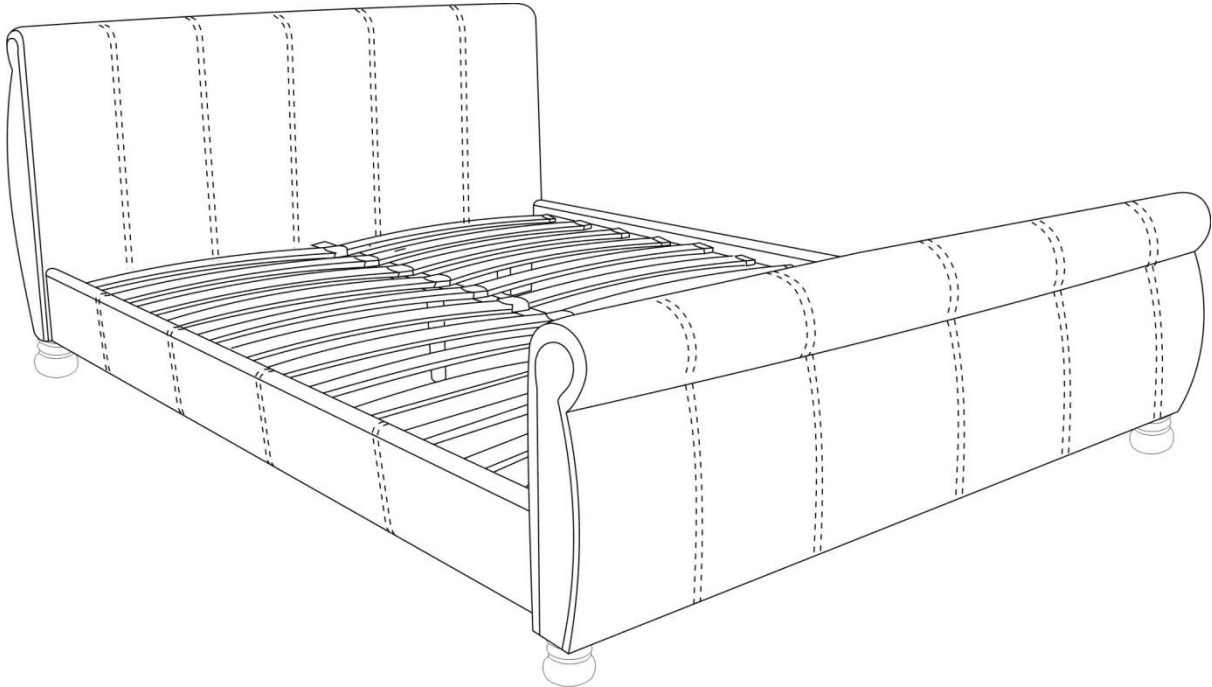


# CHICAGO BED ASSEMBLY INSTRUCTIONS

Thank you for purchasing the CHICAGO BED. Please read the instructions carefully to ensure safe operation of the product.



Size: **1460 x 2300 x 1150mm/4ft 6 Double**  
**1610 x 2400 x 1150mm/5ft King**  
Colour: Brown Faux Leather / Silver Chenille

---

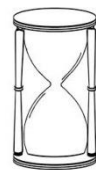
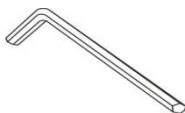
**PLEASE READ** this sheet prior to assembly to familiarise yourself with the various stages of construction.

Carefully open the pack supplied and check the contents against the parts and fittings check list. Do not destroy any of the packaging until you are certain that you have all the necessary parts for the assembly.

**CAUTION:** There are small components used in the construction of this unit. These loose items should be kept away from young children whilst assembling your unit to avoid the danger of choking hazards.

---

## Tools Required



1 Hour  
Set Up

# CHICAGO BED ASSEMBLY INSTRUCTIONS

## **IMPORTANT - READ CAREFULLY - RETAIN THESE INSTRUCTIONS FOR FUTURE REFERENCE.**

### **INFORMATION**

- This product is intended for a maximum person's weight of 130kg per side. Do not exceed this weight
- Incorrect installation could lead to injury, take care following instructions.
- Due to the size of this product we recommend that it is assembled in the room intended for use
- When you are ready to start, make sure that you have the right tools, plenty of space and a clean, dry area for assembly
- Unwrap all packaging materials and place the components on top of the carton box or on a clean floor to prevent it from scratching
- Check the pack and make sure you have all the parts listed
- Ensure that this product is fully assembled and secured as illustrated before use
- Check all screws or bolts are tightened and inspect regularly.
- This product should only be used on firm, level ground.
- Dismantle for transportation.
- Only use recommended accessories.
- Tools are included.

### **WARNINGS**

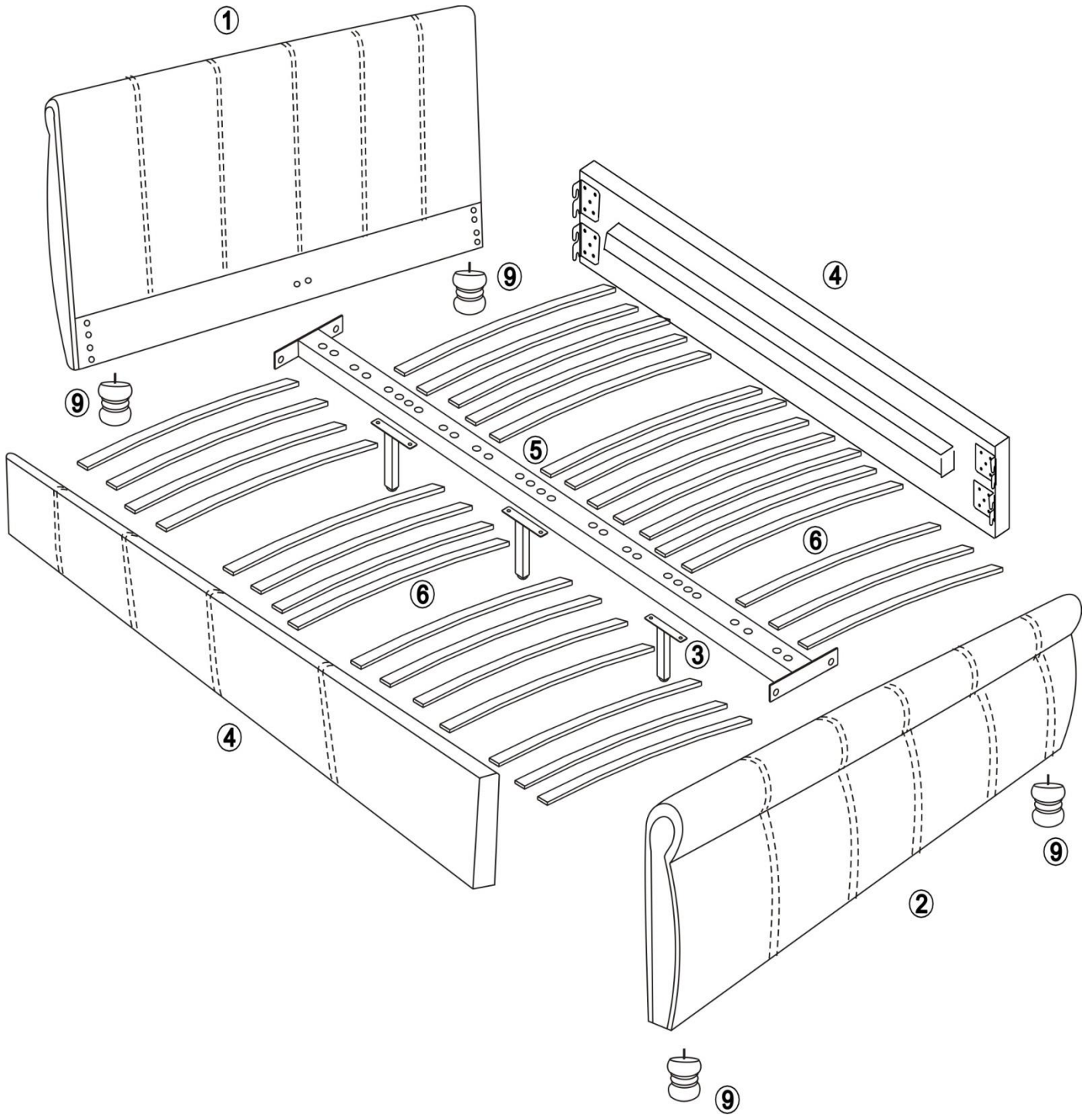
- DO make sure the legs remain in contact with the ground.
- DO keep small parts out of reach of children.
- DO NOT use power tools to construct this product.
- DO NOT tighten screws until fully assembled.
- DO NOT over tighten screws or bolts.
- DO NOT use this product if parts are missing, damaged or worn.
- DO NOT stand on the product.

### **CARE INFORMATION**

- Never use scourers, abrasives or chemical cleaners
- To clean wipe with a sponge and warm soapy water. Do not use solvent based cleaners or detergents as they can bleach or damage the product

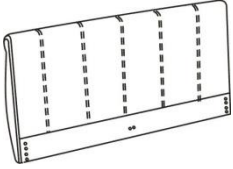
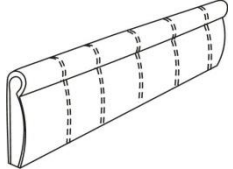

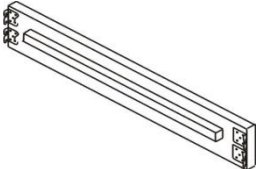
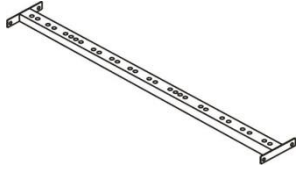
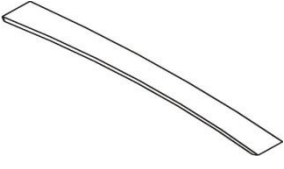
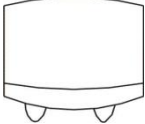


# CHICAGO BED ASSEMBLY INSTRUCTIONS

Please check the pack contents before assembling the product. If any components are missing, please contact your retailer. The fittings pack contains small items that should be kept away from small children.



# CHICAGO BED ASSEMBLY INSTRUCTIONS

## Parts

<p>1</p> 	<p>2</p> 	<p>3</p> 
<p>HEADBOARD 1 PC Carton No: 1</p>	<p>FOOTBOARD 1 PC Carton No: 2</p>	<p>SUPPORT LEG 3 PCS Carton No: 2</p>
<p>4</p> 	<p>5</p> 	<p>6</p> 
<p>SIDE RAIL(LEFT/RIGHT) 2PCS Carton No: 2</p>	<p>SUPPORT BAR 1PC Carton No: 2</p>	<p>SLAT 4'6'' 26 PCS 5' 30 PCS Carton No: 3</p>
<p>7</p> 	<p>8</p> 	<p>9</p> 
<p>CENTRE SLAT CAP 4'6'' 13 PCS 5' 15 PCS Carton No: 3</p>	<p>PLASTIC SLAT CAP 4'6'' 26 PCS 5' 30 PCS Carton No: 3</p>	<p>LEG 4 PCS Carton No: 3</p>

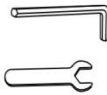
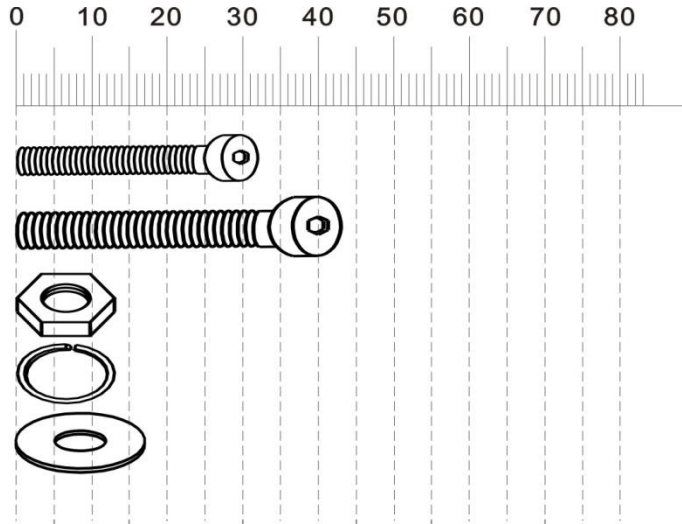
# CHICAGO BED ASSEMBLY INSTRUCTIONS

Fixings (to scale)

Ref	Dimensions	Qty
A	Bolt-M8x32mm	20
B	Bolt-M8x43mm	6
C	Nut-M8x13mm	6
D	Spring Washer- $\Phi$ 8x13mm	26
E	Flat Washer- $\Phi$ 8x17mm	26

(not to scale)

Ref	Dimensions	Qty
F	5mm Allen Key	1
G	Spanner	1



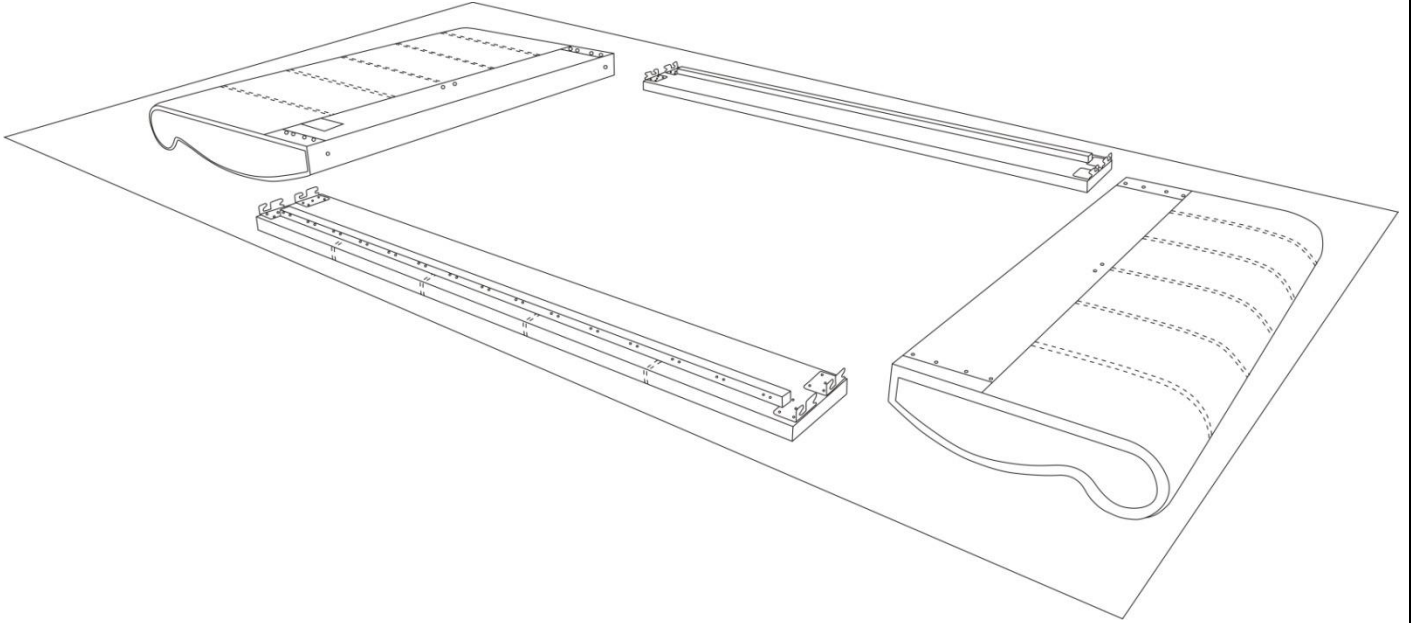
**CAUTION: There are many small components used in the construction of this product. Please keep these components away from young children whilst assembling this product.**

If you keep the fittings in a bowl during assembly you will be less likely to lose them!

# CHICAGO BED ASSEMBLY INSTRUCTIONS

## Layout Parts on Soft Surface

Lay out all 4 sides on a soft surface i.e. Rug, Carpet or Packaging Carton to avoid damage



# CHICAGO BED ASSEMBLY INSTRUCTIONS

STEP 1	Parts Required
	<p>1. Headboard x 1 2. Footboard x 1 9. Leg x 4</p>

STEP 2	Parts Required
<p><b>MAKE CERTAIN THE BED IS SQUARE AS SHOWN.</b></p> <p>Note: THEN tighten all bolts 100% using allen key</p>	<p>1. Headboard x 1 2. Footboard x 1 4. Side Rail x 2</p> <p>F. Allen Key x 1 A. Bolt M8x32mm x 16 D. Spring Washer x 16 E. Flat Washer x 16</p>

# CHICAGO BED ASSEMBLY INSTRUCTIONS

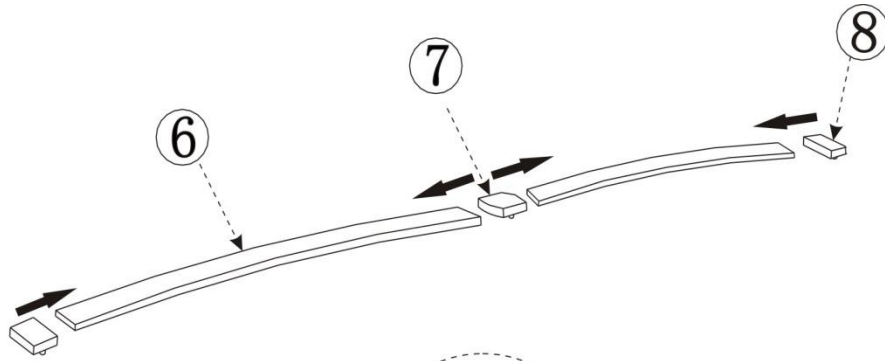
STEP 3	Parts Required
<p>The diagram illustrates the assembly of the support bar and legs. It shows a side view of the bed frame with a support bar (5) being attached to the side rail. Two circular callouts provide detailed views of the assembly process. The top callout shows a support bar (5) being secured to a side rail with a bolt (A), a spring washer (D), a flat washer (E), and an Allen key (F). The bottom callout shows a support leg (3) being attached to the support bar (5) with a nut (C) and a spanner (G).</p>	<p>5. Support Bar x 1            3. Support Leg x 3</p> <p>B. Bolt M8x43mm x 6            F. Allen Key x 1            A. Bolt M8x32mm x 4            D. Spring Washer x 10            E. Flat Washer x 10            C. Nut M8x13mm x 6            G. Spanner x 1</p>



# CHICAGO BED ASSEMBLY INSTRUCTIONS

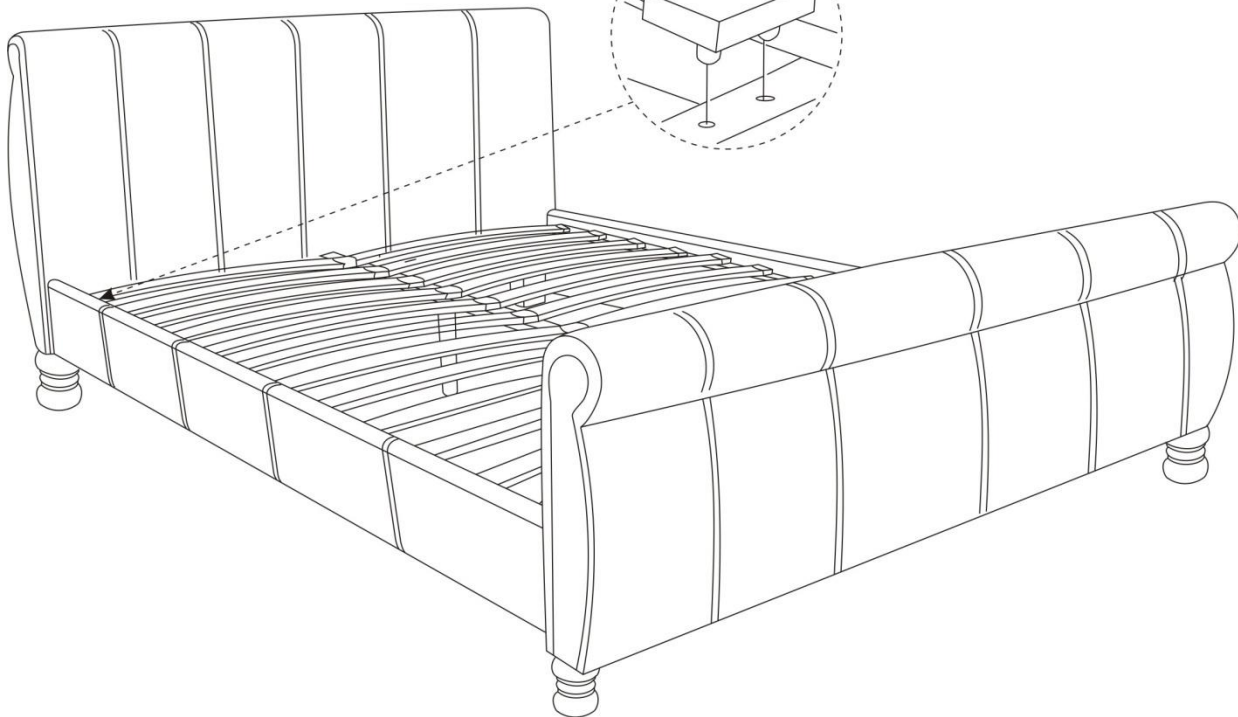
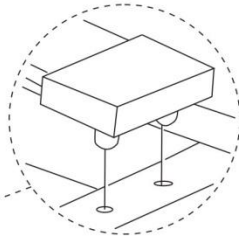
## STEP 4

### Parts Required



4'6"  
 7. Centre Slat Caps x 13  
 8. Plastic Slat Cap x 26  
 6. Slat x 26

5'  
 7. Centre Slat Caps x 15  
 8. Plastic Slat Cap x 30  
 6. Slat x 30

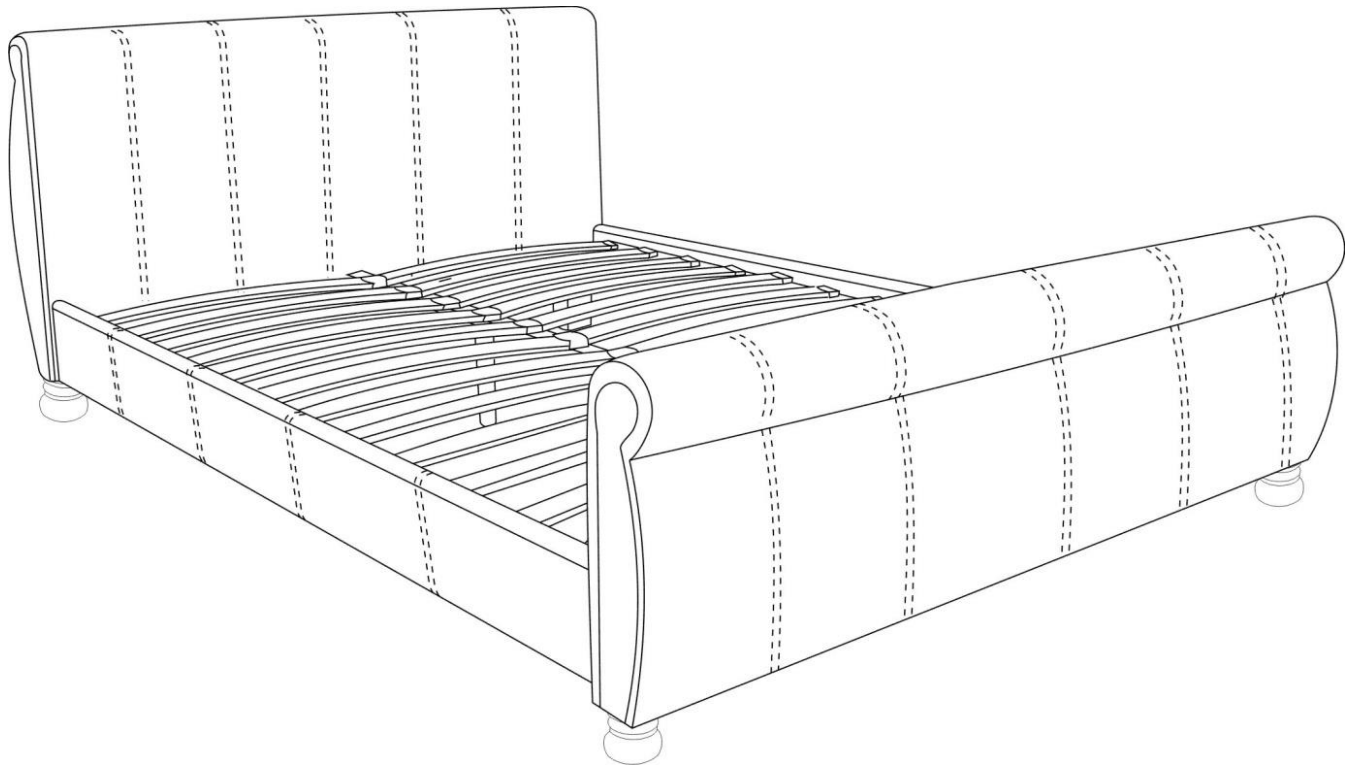


# CHICAGO BED ASSEMBLY INSTRUCTIONS

## Complete Assembly

Your bed frame is now completely assembled.

Periodically check to ensure that the components are in their proper position, free from damage. Also, make sure the connectors are tight and secure.



**Keep instructions for future reference**

