



Birlea

Suppliers of inspiration

Assembly Instructions

Thank you for
purchasing a
Birlea product.

For a chance to win a *Love 2 Shop* voucher simply post a picture of your new product on your preferred social channels tagging Birlea Furniture and using the hashtag **#ShareYourStyle** and **#Birlea**. One winner will be selected at random each month.

To view our full terms and conditions please visit our website. www.birlea.com

Are you happy with your purchase?

Yes: That's great, we would love to hear more from you. Please leave us a review on our social media channels or Trustpilot. Your feedback will be greatly appreciated.

No: If for any reason there is something missing, indifferent or incorrect with your order, please contact the retailer you purchased the item from. We will work with the retailer to resolve your issue as quickly as possible.



www.birlea.com

ASSEMBLY INSTRUCTIONS

BRIXTON BED

IMPORTANT: READ THESE INSTRUCTIONS CAREFULLY BEFORE ASSEMBLING OR USING THIS PRODUCT.

PLEASE KEEP THESE INSTRUCTIONS FOR FUTURE REFERENCE.

HEALTH & SAFETY:

DO NOT jump on this bed frame.

DO NOT use this bed frame if any parts are missing, damaged or worn.

DO NOT use this bed frame unless all fixings are secured.

Please keep small parts out of reach of children.

Always use on a level, even surface.

WARNING: If this bed is placed on a non-carpeted floor you must place some protection under all legs to stop the bed frame from moving. If this is not adhered to there is no guarantee if the bed frame collapses.

CARE & MAINTENANCE:

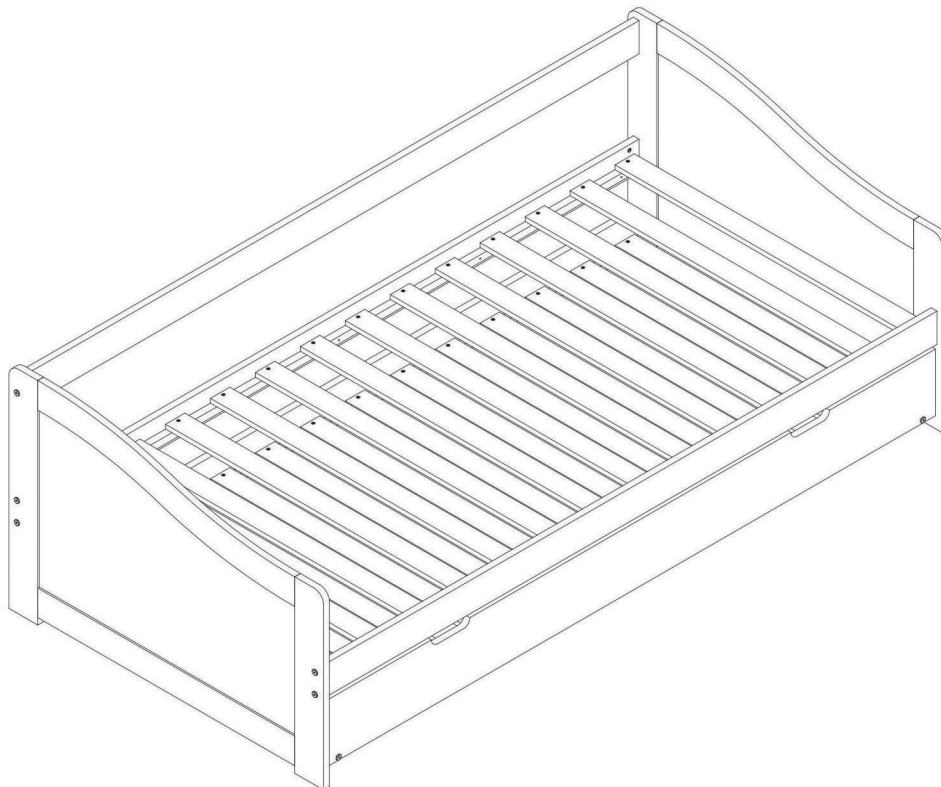
Assemble in the room of use.

Periodically check all screws & fixings to ensure they are secure.

DO NOT push the bed frame as this will damage the legs.

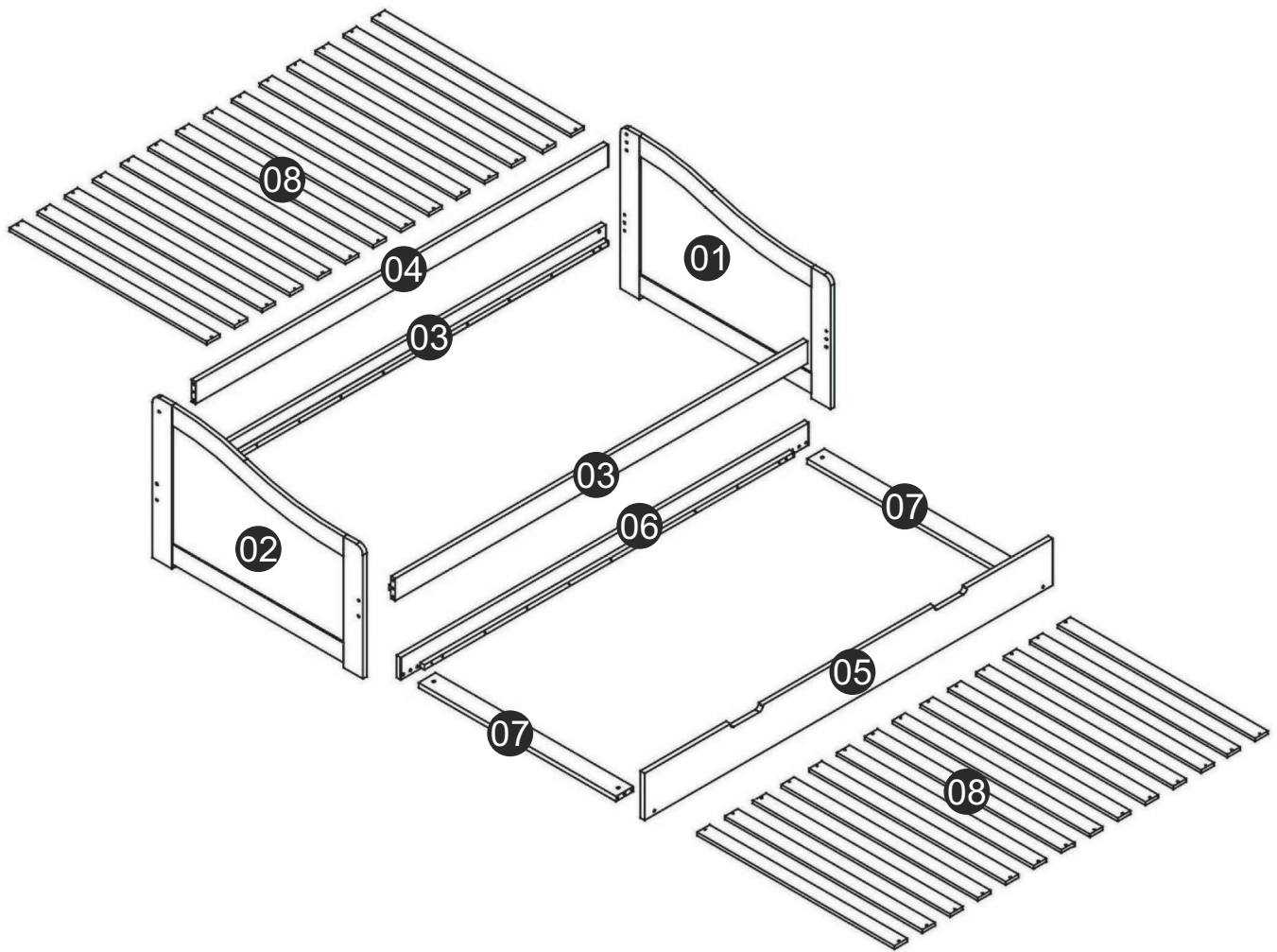
Always lift the bed with two people to reposition.

Keep any sharp objects away from the frame.



Birlea

Suppliers of inspiration










PARTS LIST (Bed)

01	Right frame	1	03	Siderail	2
02	Left frame	1	04	Top back panel	1

PARTS LIST (Trundle)

05	Front side rail	1	07	Rail support	2
06	Rear side rail	1	08	Slats	28

HARDWARE

A	 M6x70mm	14	E		4
B		14	F	 Φ 4x16mm	8
C	 Φ 8x30mm	16	G	 Φ 4x30mm	56
D		1			

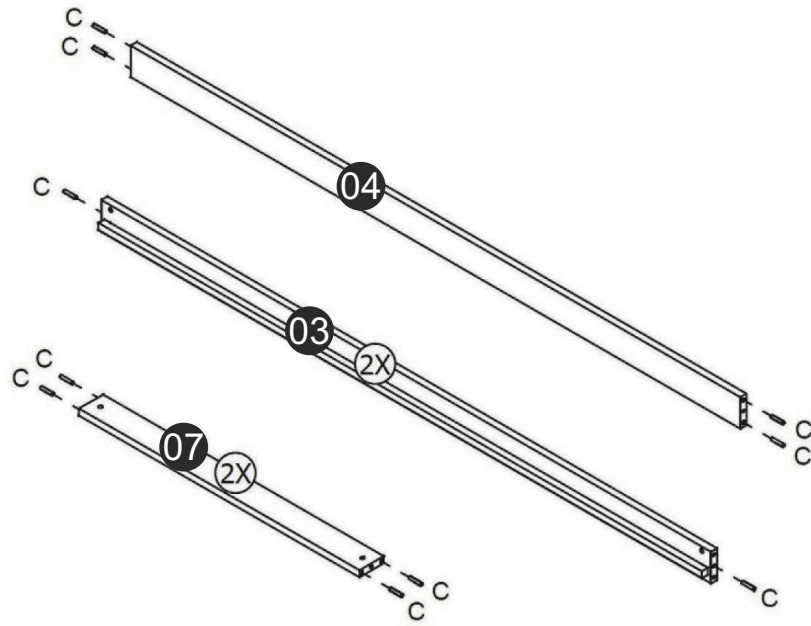


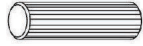
Birlea

Suppliers of inspiration

STEP 1

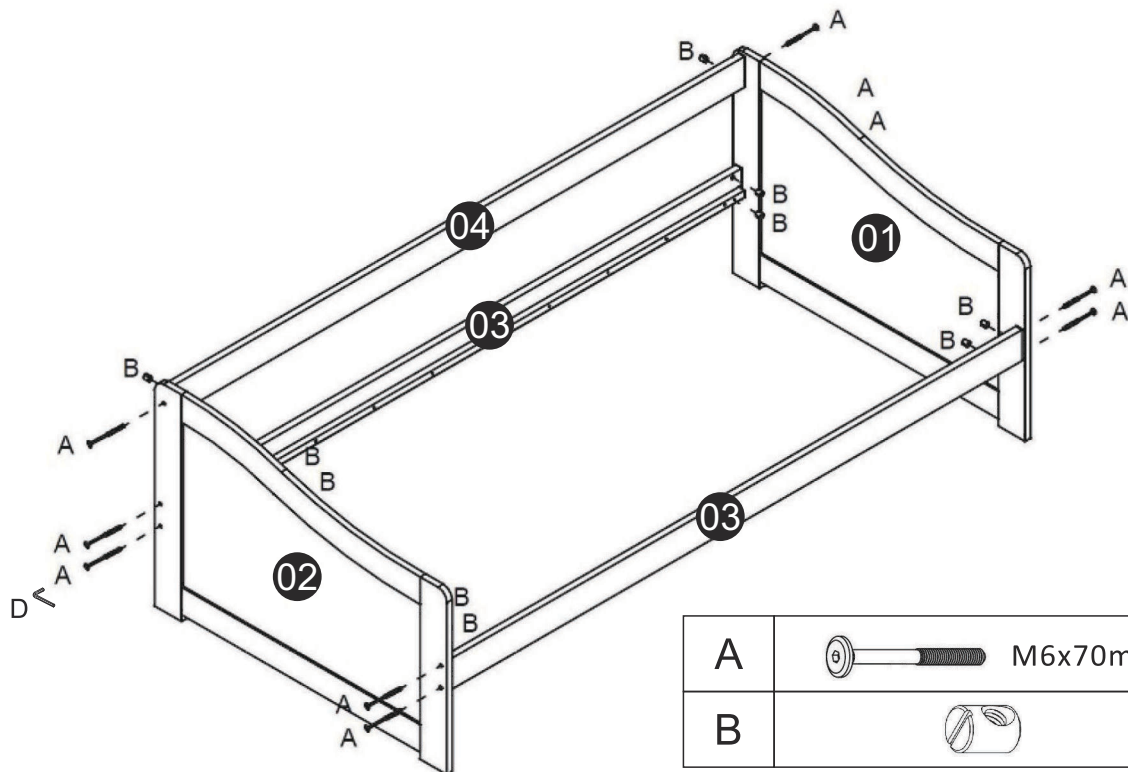
Insert hardware part (C) into the siderails (3), top back panel (4) and rail supports (7).





C		Φ8x30mm	16
---	---	---------	----

STEP 2

Attach the siderails (3) and top back panel (4) to the right frame (1) and left frame (2) using hardware part (A), (B) and (D).



A		M6x70mm	10
B			10

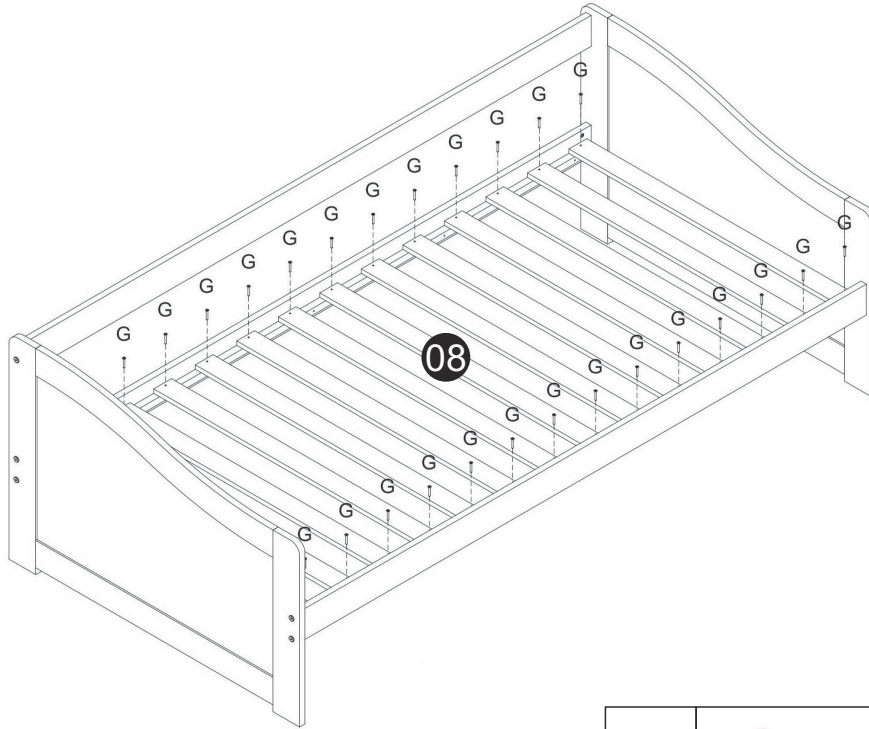


Birlea

Suppliers of inspiration

STEP 3

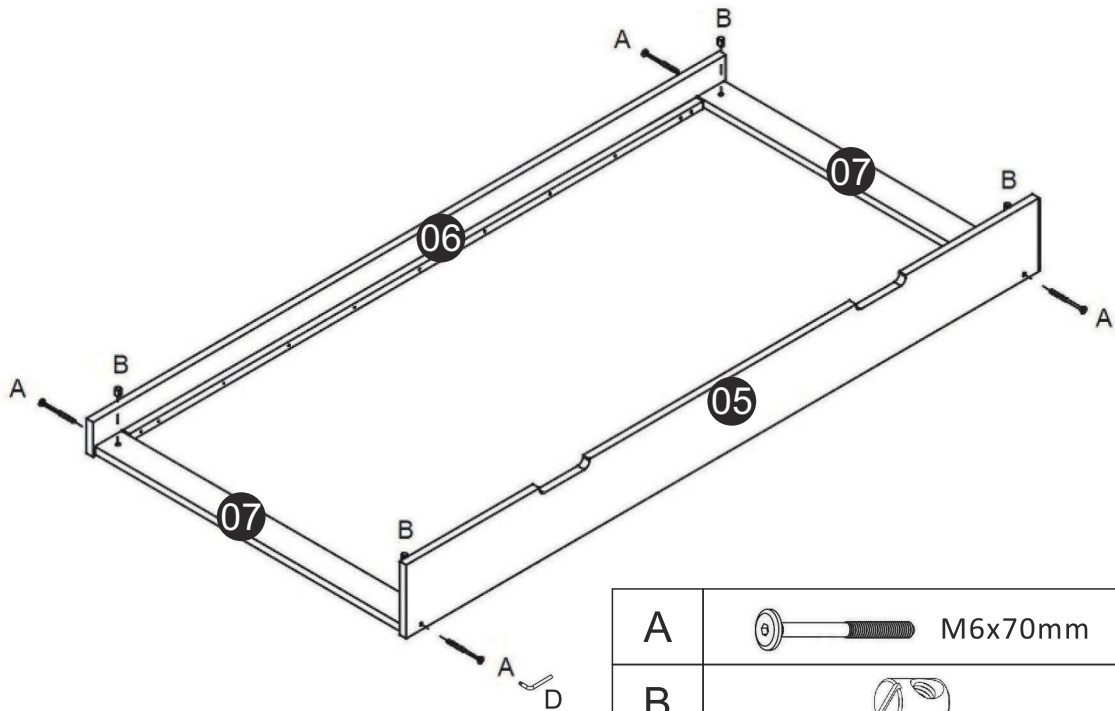
Attach half the slats (8) to the bed using hardware part (G) and a screwdriver (not provided).





G		Φ4x30mm	28
---	---	---------	----

STEP 4

Attach the support rails (7) to the rear side rail (6) and front side rail (5) using hardware parts (A),(B) and (D).



A		M6x70mm	4
B			4

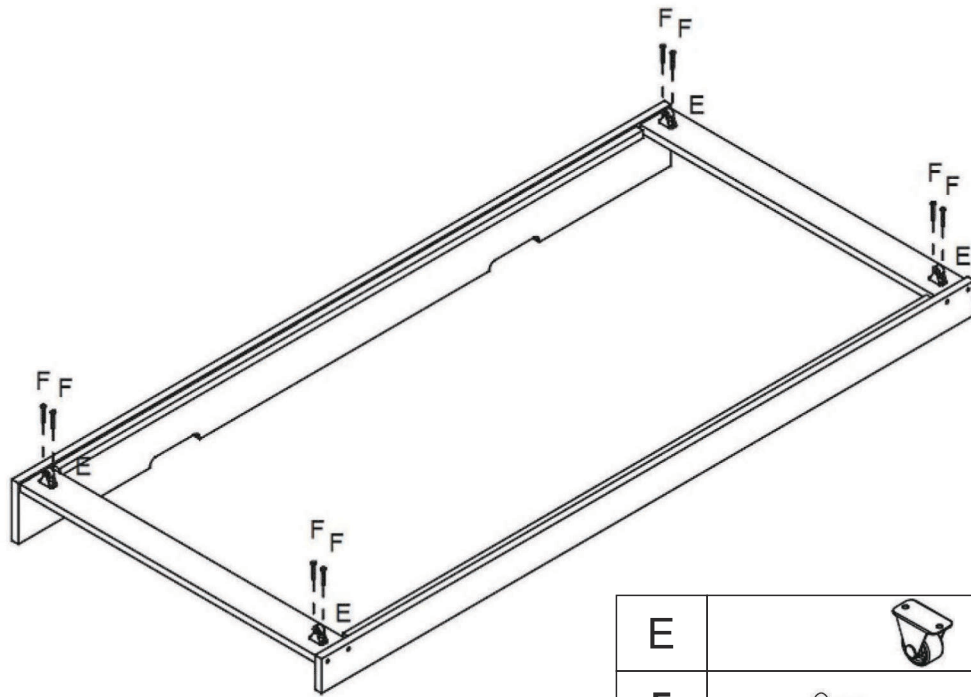



Birlea

Suppliers of inspiration

STEP 5

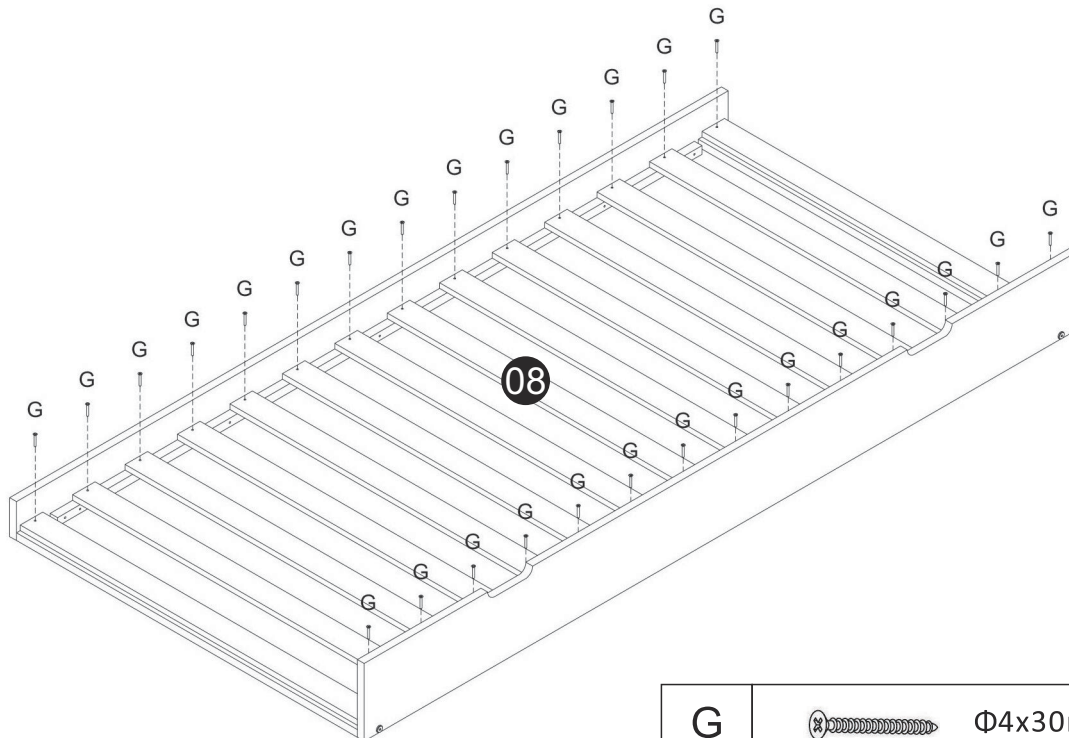
Attached hardware part (E) onto the bottom of the trundle bed using hardware part (F) and a screwdriver (not provided).



E		4
F	 $\Phi 4 \times 16 \text{mm}$	8

STEP 6

Attach the other slats (8) on the trundle bed using hardware part (G) and a screwdriver (not provided)



G	 $\Phi 4 \times 30 \text{mm}$	28
---	--	----

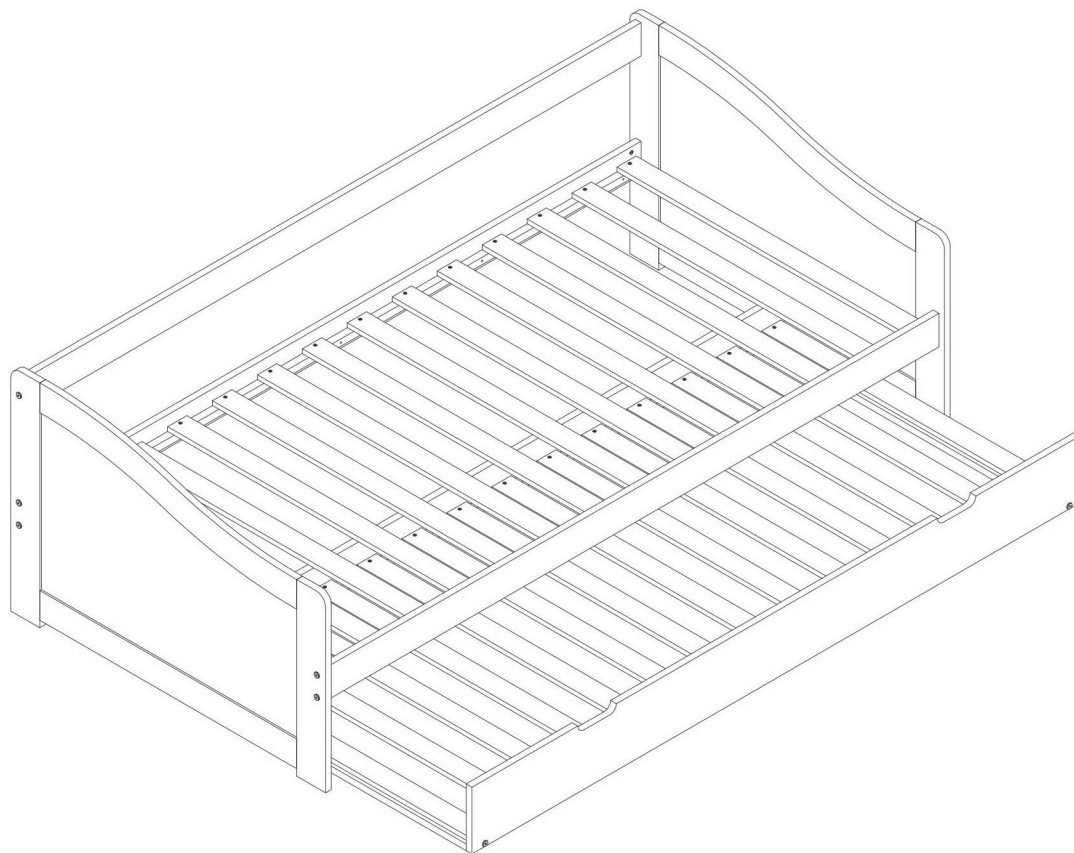


Birlea

Suppliers of inspiration

STEP 7

Slide the trundle under the bed as shown below.



Birlea

Suppliers of inspiration

Additional Information:

- For complete product information, images and dimension diagrams please visit the website www.birlea.com
- If you have any issues with your item please contact the retailer directly you purchased it from who will be able to resolve any issues with Birlea.
- Why don't you send us photos of your assembled furniture to info@birlea.com to be shared in our #birleahome feature on Instagram.



Birlea

Suppliers of inspiration