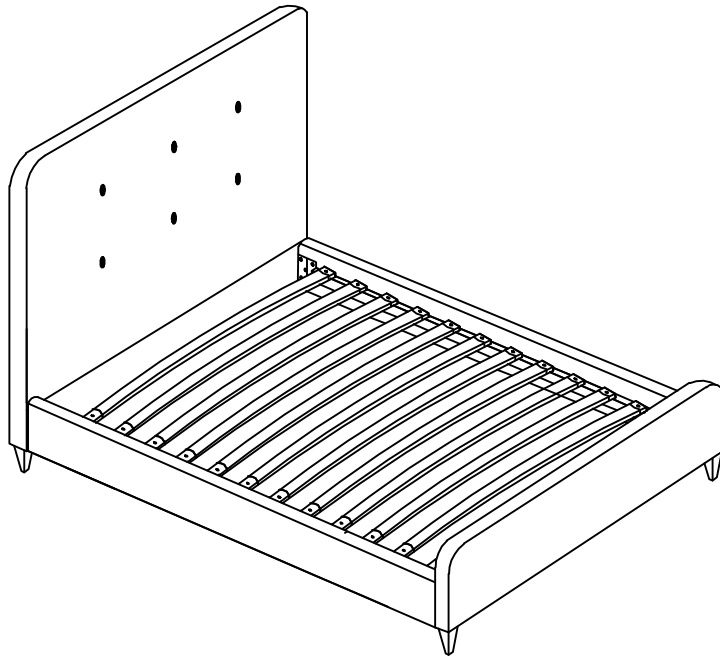


# ASHBOURNE BED

**Thank you for purchasing the ashourne bed Please read the instructions carefully to ensure safe operation product.**



**Size :3FT 2070MM X 1000MM X 1040MM  
Colour : Dark Grey**

---

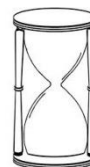
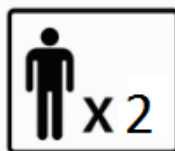
**PLEASE READ** this sheet prior to assembly to familiarise yourself with the various stages of construction.

Carefully open the pack supplied and check the contents against the parts and fittings check list. Do not destroy any of the packaging until you are certain that you have all the necessary parts for the assembly.

**CAUTION:** There are small components used in the construction of this unit. These loose items should be kept away from young children whilst assembling your unit to avoid the danger of choking hazards.

---

## Tools Required



0.5 Hour  
Set Up

# ASHBOURNE BED

## IMPORTANT - READ CAREFULLY - RETAIN THESE INSTRUCTIONS FOR FUTURE REFERENCE.

### INFORMATION

- This product is intended for a maximum person's weight of 130kg. Do not exceed this weight
- Incorrect installation could lead to injury, take care following instructions.
- Due to the size of this product we recommend that it is assembled in the room intended for use
- When you are ready to start, make sure that you have the right tools, plenty of space and a clean, dry area for assembly
- Unwrap all packaging materials and place the components on top of the carton box or on a clean floor to prevent it from scratching
- Check the pack and make sure you have all the parts listed
- Ensure that this product is fully assembled and secured as illustrated before use
- Check all screws or bolts are tightened and inspect regularly.
- This product should only be used on firm, level ground.
- Dismantle for transportation.
- Only use recommended accessories.
- Tools are included.

### WARNINGS

- When moving the bed Always lift Carefully into position NEVER DRAG OR PULL YOUR BED OTHERWISE THIS COULD DAMAGE ESSENTIAL COMPONENTS.
- DO make sure the legs remain in contact with the ground.
- DO keep small parts out of reach of children.
- DO NOT use power tools to construct this product.
- DO NOT tighten screws until fully assembled.
- DO NOT over tighten screws or bolts.
- DO NOT use this product if parts are missing, damaged or worn. DO NOT stand on the product.

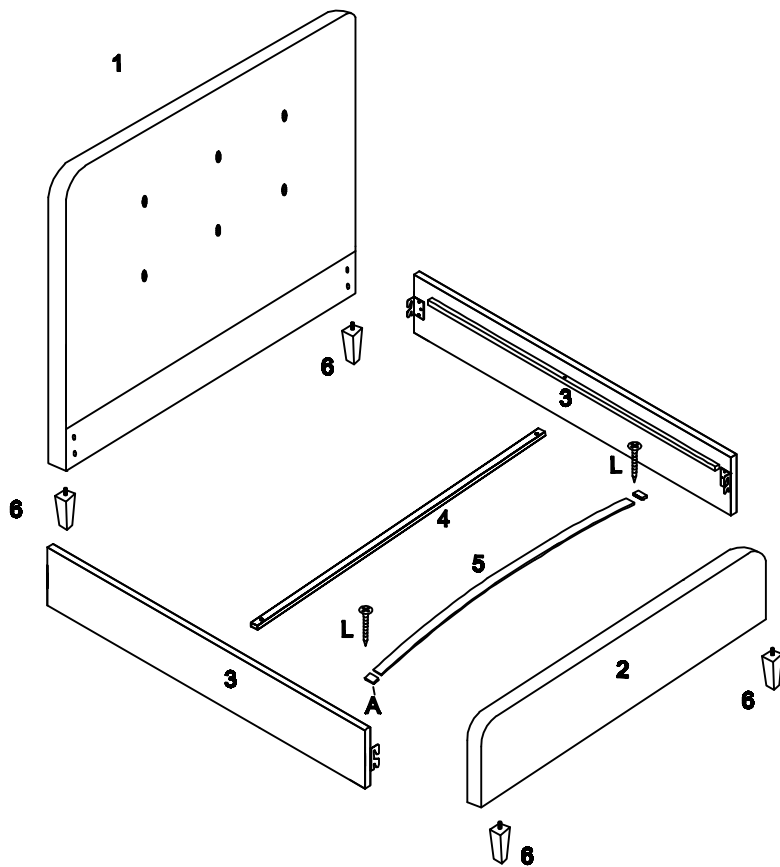
### CARE INFORMATION

- Never use scourers, abrasives or chemical cleaners
- To clean wipe with a sponge and warm soapy water. Do not use solvent based cleaners or detergents as they can bleach or damage the product

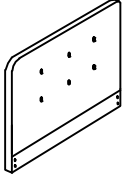
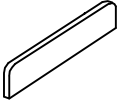
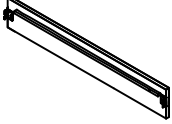



# ASHBOURNE BED

## Parts

Please check the pack contents before assembling this product. If any components are missing, please contact your retailer. The fittings pack contains small items that should be kept away from small children.



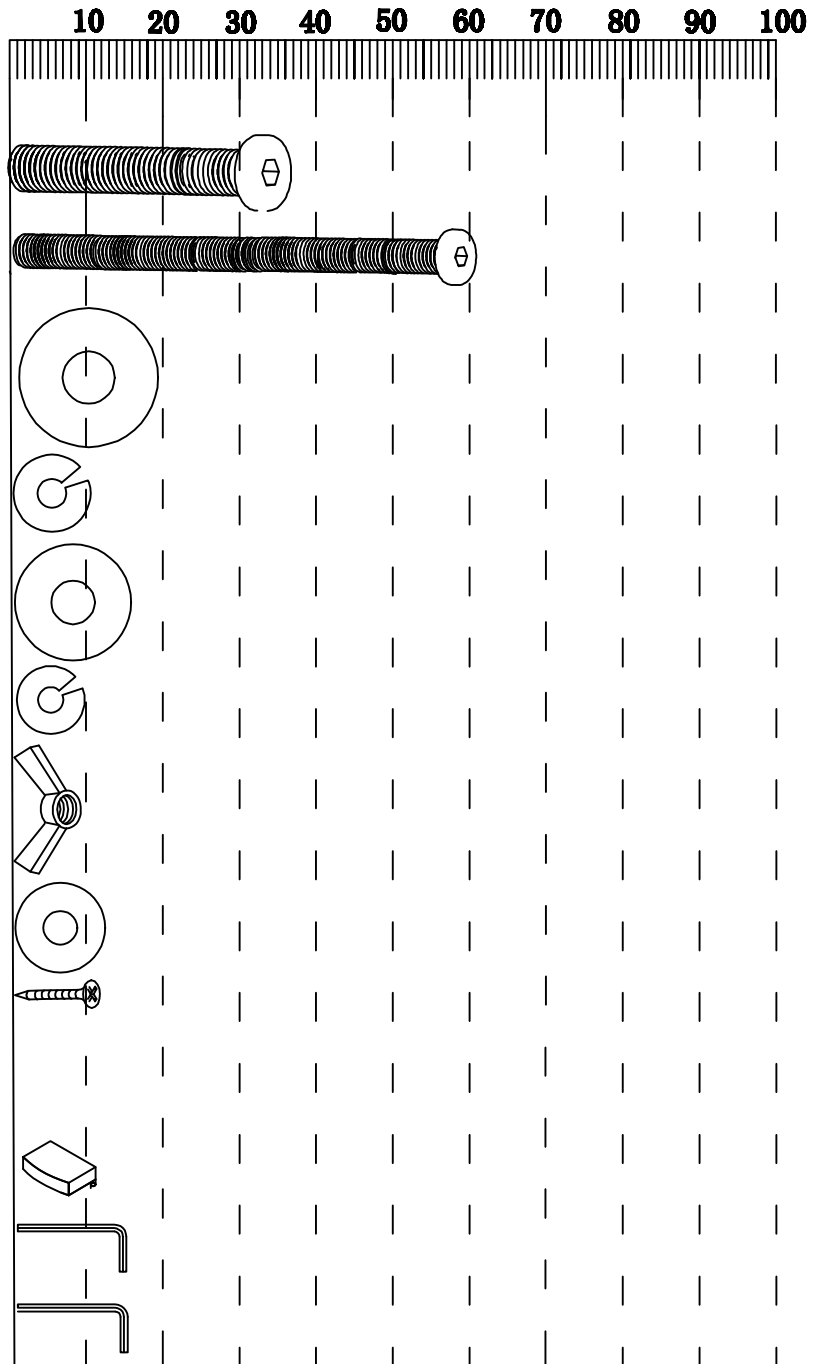
# ASHBOURNE BED

<p><b>1</b></p> 	<p><b>2</b></p> 	<p><b>3</b></p> 
<p><b>Description: HEADBOARD</b> Qty: 1 PC Carton NO: 1</p>	<p><b>Description: FOOTBOARD</b> Qty: 1 PC Carton NO: 1</p>	<p><b>Description: SIDE RAIL LEFT &amp; RIGHT PANEL</b> Qty: 2 PCS Carton NO: 2</p>
<p><b>4</b></p> 	<p><b>5</b></p> 	<p><b>6</b></p> 
<p><b>Description: BED'S CROSS RAIL</b> Qty: 1 PC Carton NO: 2</p>	<p><b>Description: WOODEN SLAT</b> Qty: 14PCS Carton NO: 1</p>	<p><b>Description: WOODEN LEGS</b> Qty: 4 PCS Carton NO: 1</p>

# ASHBOURNE BED

## Fixings (to scale)

Ref	Dimensions	Qty
<b>B</b>	<b>Bolt-5/16*30mm</b>	<b>8</b>
<b>C</b>	<b>Bolt-1/4*57mm</b>	<b>2</b>
<b>F</b>	<b>Washer*5/16</b>	<b>8</b>
<b>G</b>	<b>Spring Washer*5/16</b>	<b>8</b>
<b>H</b>	<b>Washer*1/4</b>	<b>4</b>
<b>I</b>	<b>Spring Washer*1/4</b>	<b>4</b>
<b>J</b>	<b>Butterfly Nut</b>	<b>2</b>
<b>K</b>	<b>Plastic Washer</b>	<b>2</b>
<b>L</b>	<b>Wood Screw</b>	<b>28</b>
<b>(Not to scale)</b>		
<b>A</b>	<b>End Slat Cap</b>	<b>28</b>
<b>D</b>	<b>4MM Allen Key</b>	<b>1</b>
<b>E</b>	<b>5MM Allen Key</b>	<b>1</b>

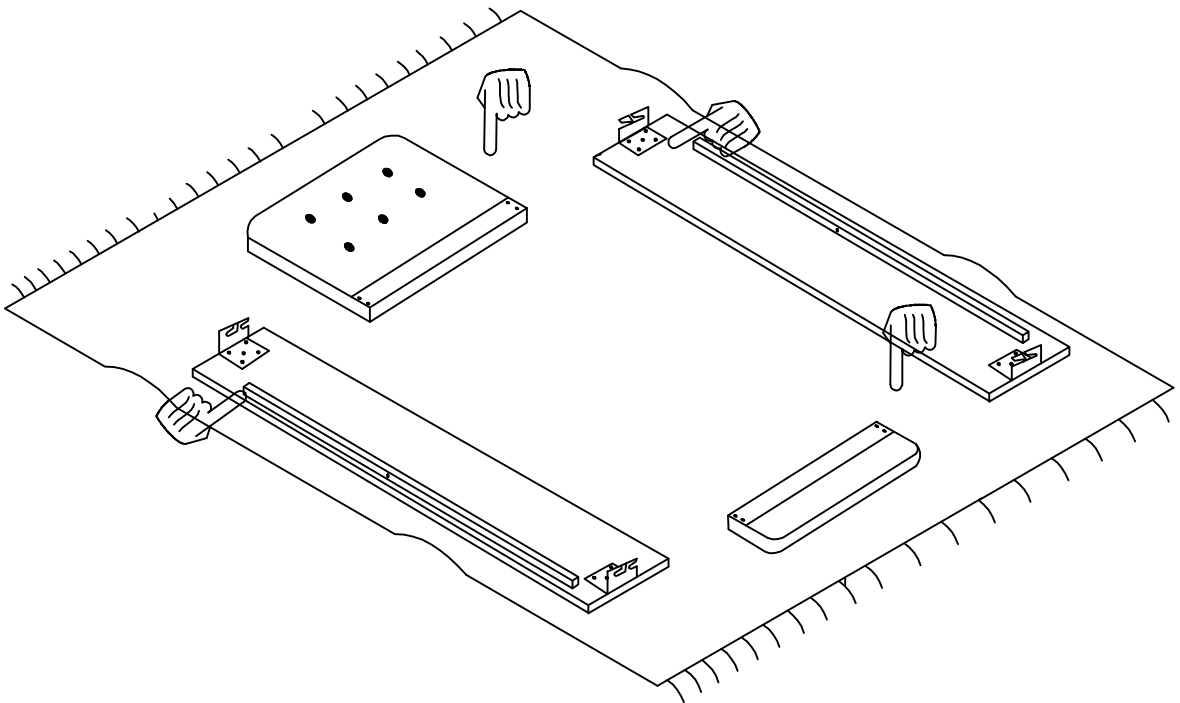


**CAUTION: There are many small components used in the construction of this product. Please keep these components away from young children whilst assembling this product. If you keep the fittings in a bowl during assembly you will be less likely to lose them!**

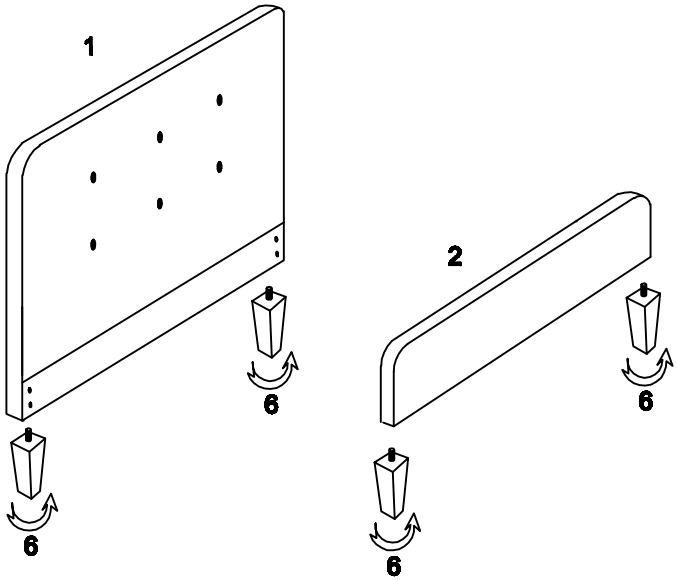
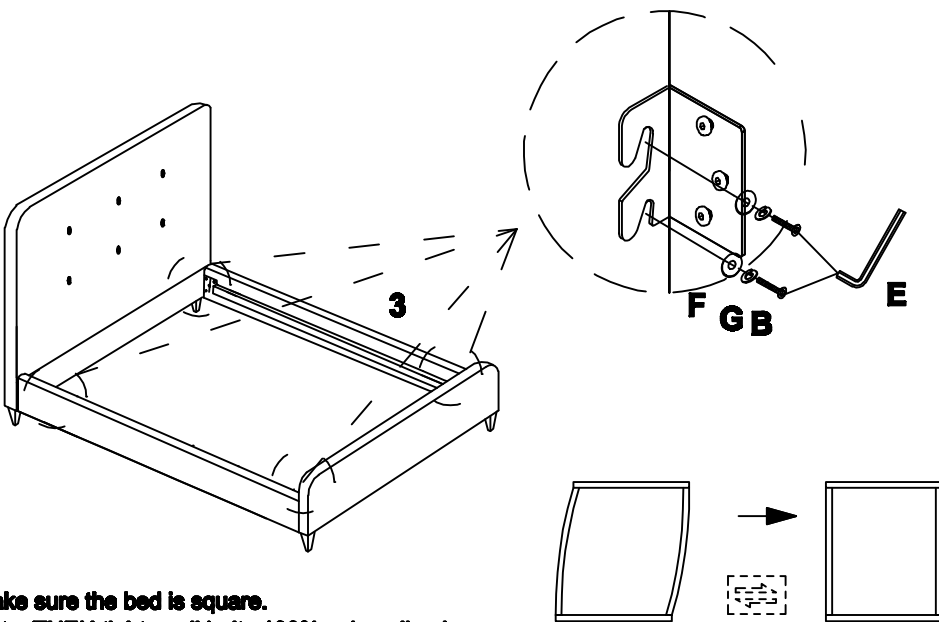
# ASHBOURNE BED

## Layout Parts on Soft Surface

Lay out all 4 sides on a soft surface i.e.Rug,Carpet or Packing Carton



# ASHBOURNE BED

STEP 1	Parts Required
	<p><b>1.HEADBOARD X 1</b>  <b>2.FOOTBOARD X 1</b>  <b>6.LEG X 4</b></p>
STEP 2	Parts Required
 <p><b>Make sure the bed is square.</b>  <b>Note: THEN tighten all bolts 100% using allen key</b></p>	<p><b>3.Side Rails X 2</b>  <b>E X 1</b>  <b>G X 8</b>  <b>F X 8</b>  <b>B X 8</b></p>

# ASHBOURNE BED

STEP 3	Parts Required
	<p><b>4.BED'S CROSS RAIL X 1</b> <b>DX 1</b> <b>CX 2</b> <b>I X 4</b> <b>KX 2</b> <b>HX 4</b> <b>JX 2</b></p>

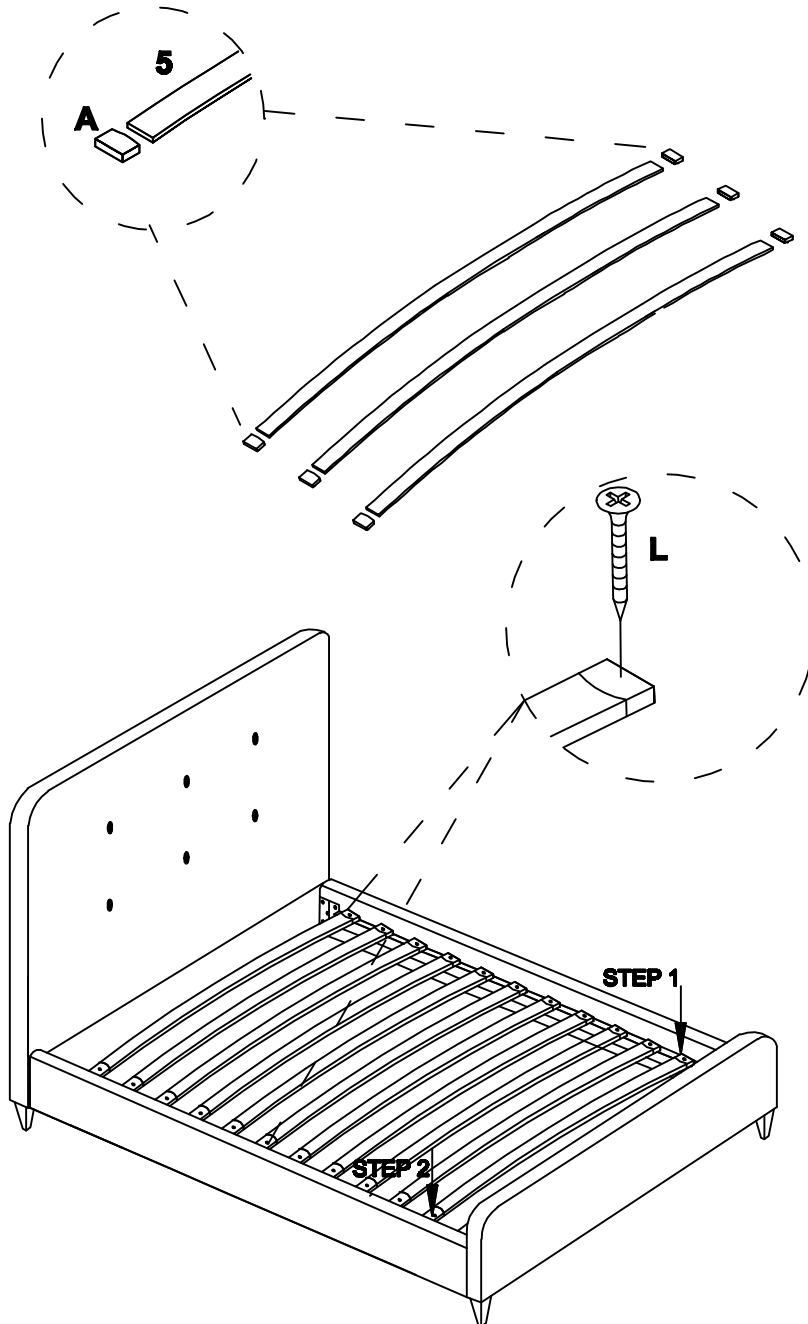


# ASHBOURNE BED

## STEP 4

## Parts Required

**5. WOODEN SLAT**  
**X 14**  
**A X 28**  
**L X 28**

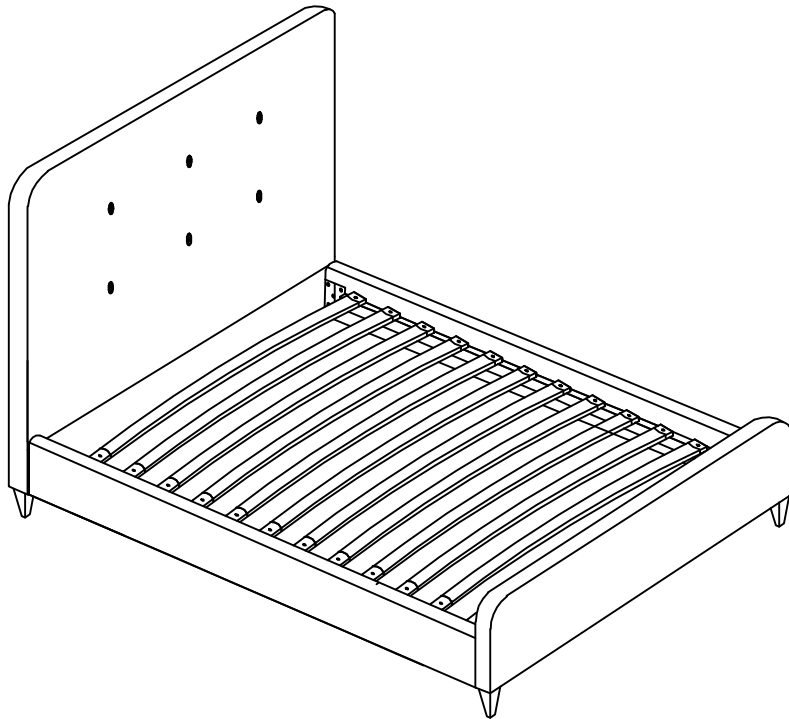


# ASHBOURNE BED

## Complete Assembly

Your bed frame is now completely assembled.

Periodically check to ensure that the components are in their proper position, free from damage. Also, make sure the connectors are tight and secure.



**Keep instructions for future reference**

