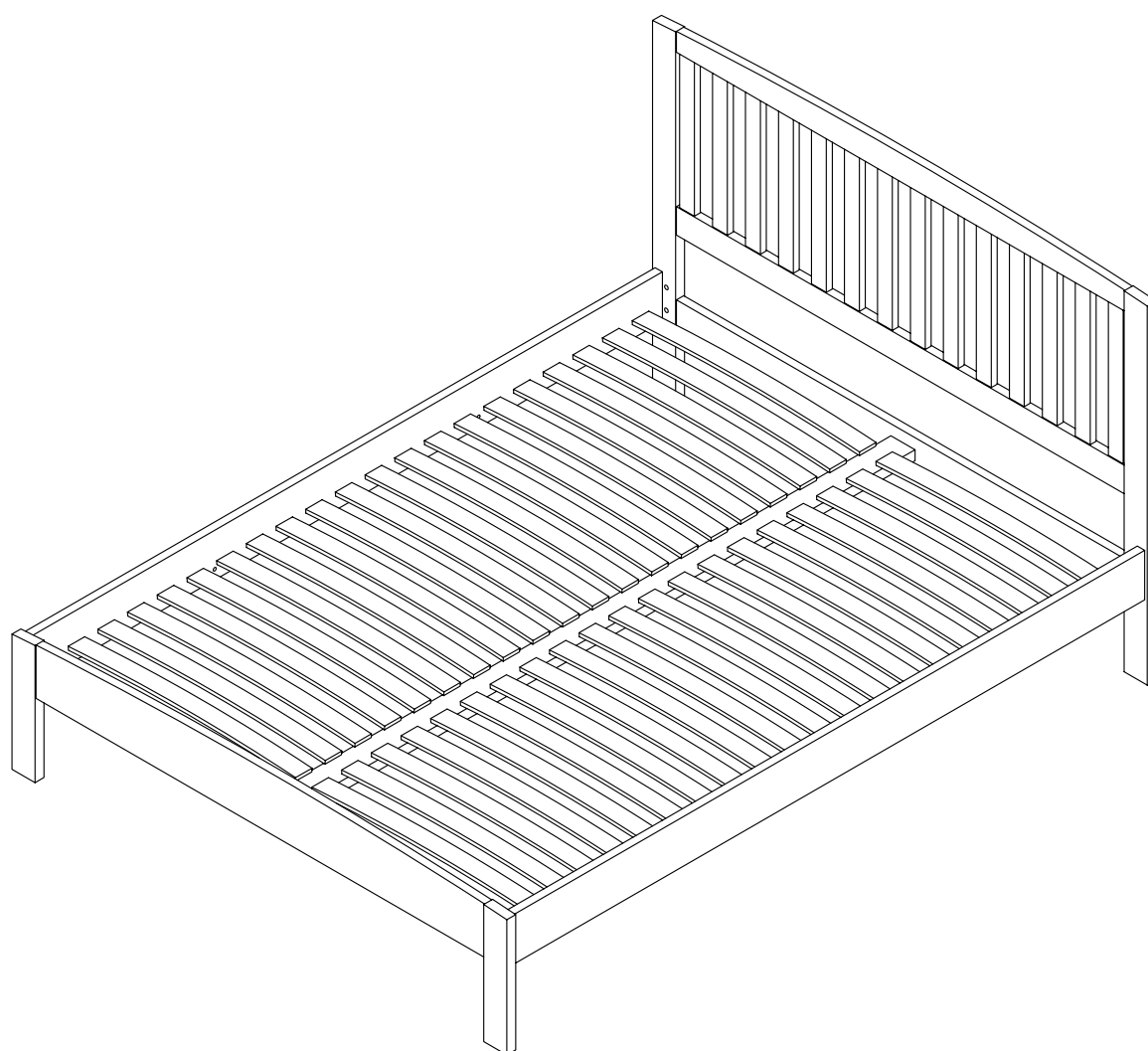


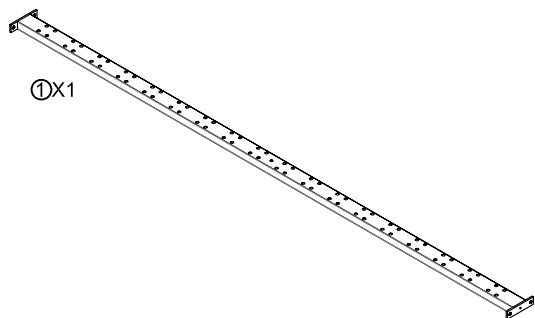
THORNTON 120cm to 180cm BED



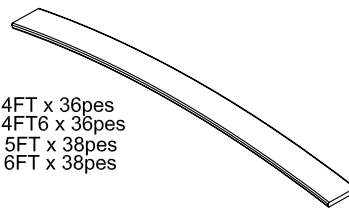
ASSEMBLY INSTRUCTIONS



PARTS LIST



①X1



②4FT x 36pes
4FT6 x 36pes
5FT x 38pes
6FT x 38pes

HARDWARE LIST



ⒶM8X20mm=8pcs



ⒷM6X40mm=1pc



ⒸM6X20mm=4pcs



Ⓓ1pc



Ⓔ1pc

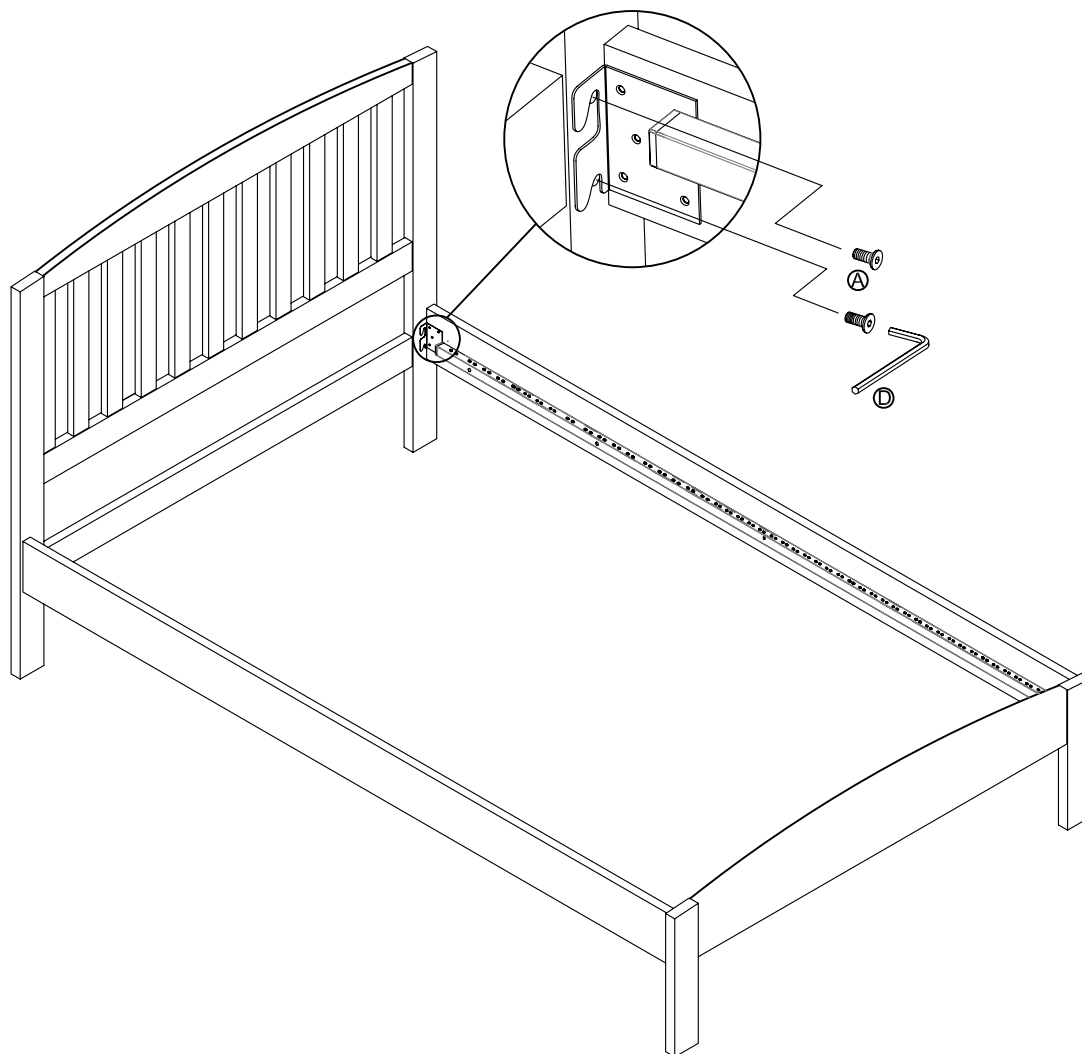


Ⓕ4FT x 72pes
4FT6 x 72pes
5FT x 76pes
6FT x 76pes

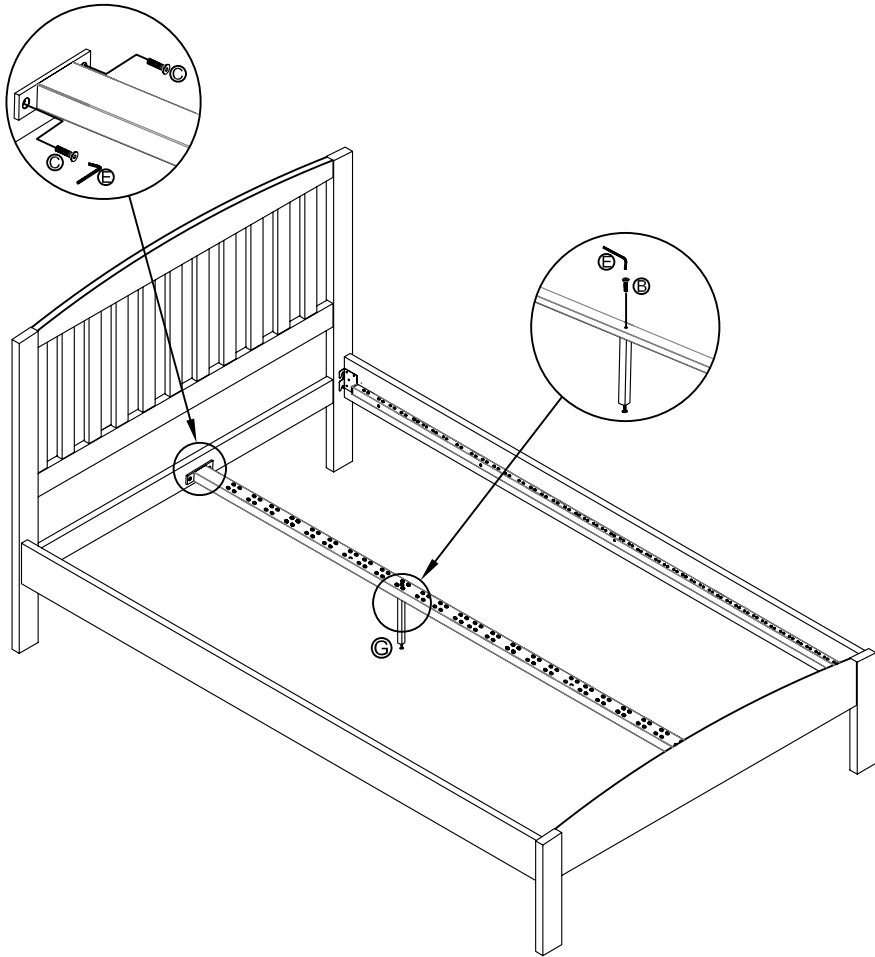


Ⓖ1pc

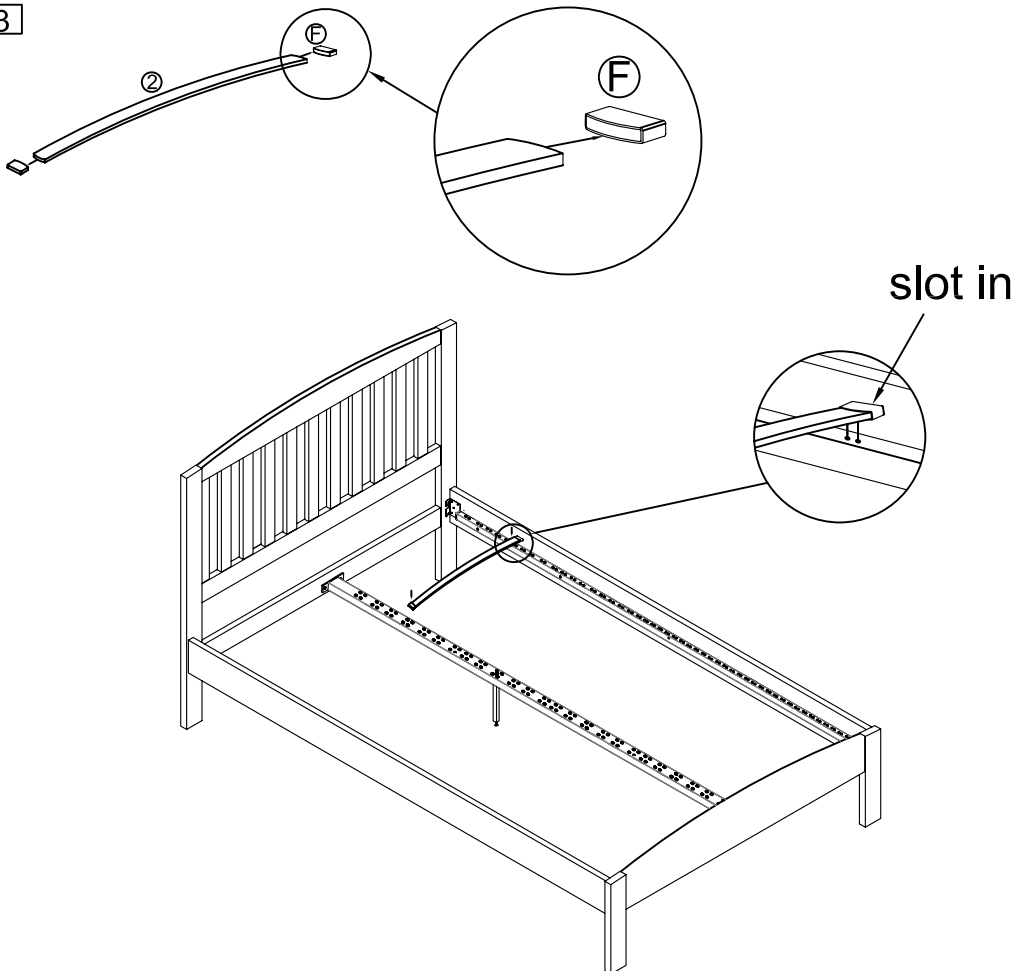
STEP 1

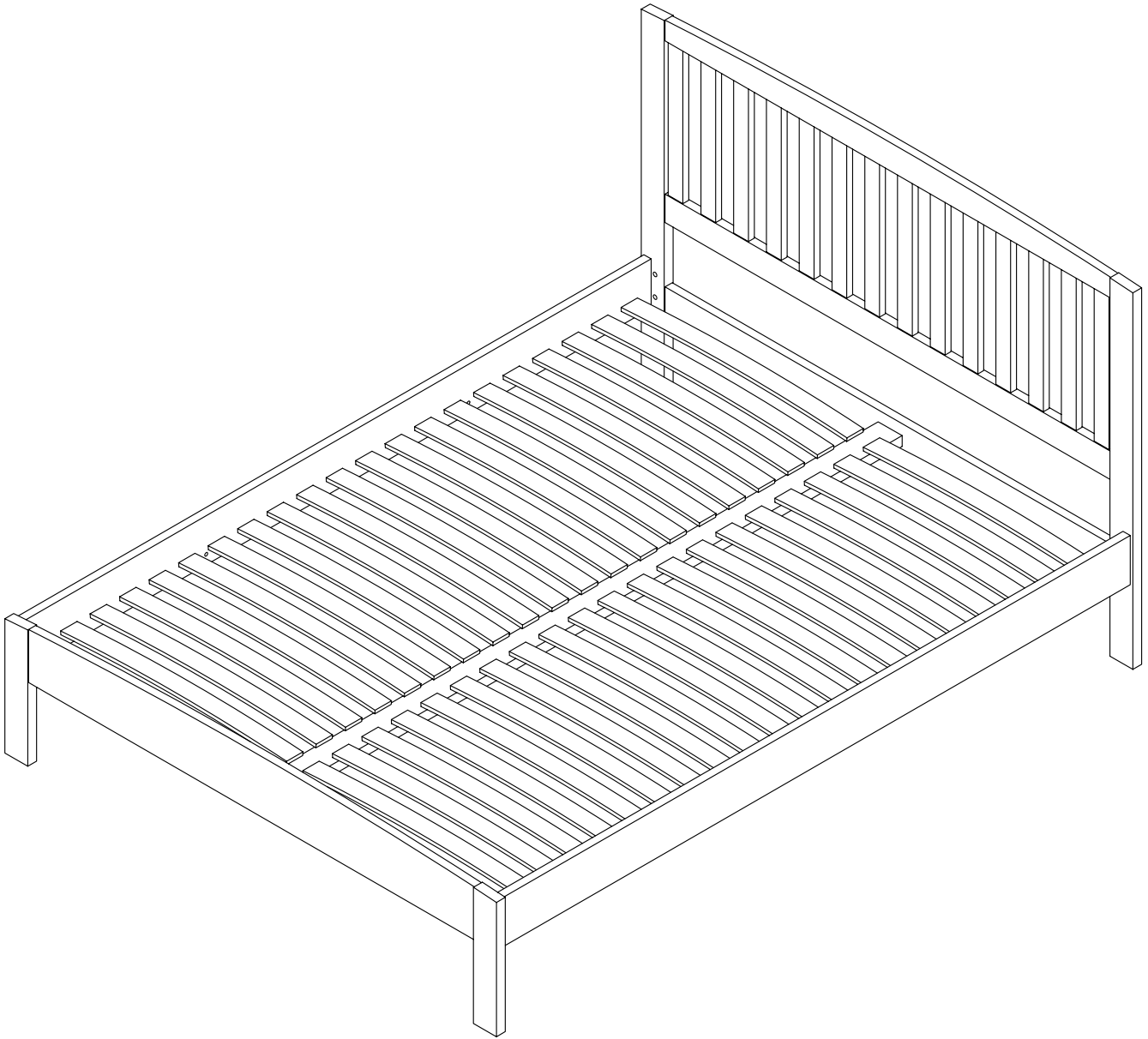


STEP 2



STEP 3



STEP4**CARE INSTRUCTIONS**

- Wipe clean using a soft damp cloth followed by a dry cloth.
- Do not use abrasives or cleaning products which may contain ammonia or solvents.
- Take care when handling or moving the furniture. Careless handling can damage furniture, try to lift rather than drag.