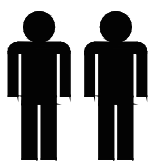


ASSEMBLY INSTRUCTION



**COLOUR: BLACK WITH WALNUT
WHITE WITH WHITE
BLACK WITH BLACK OAK**

SIZE: 76x46.5x180.5cm (LWH)



2 Person Build

Important Information

- **IMPORTANT:** RETAIN THESE INSTRUCTIONS FOR FUTURE REFERENCE.
- Due to the size of this product we recommend that it is assembled in the room intended for use.
- When you are ready to start, make sure that you have the right tools, plenty of space and a clean, dry area for assembly.
- Unwrap all packaging materials and place the components on top of the carton box or on a clean floor to prevent it from scratching.
- Check the pack and make sure you have all the parts listed.
- Ensure that this product is fully assembled as illustrated before use.
- Check all screws or bolts are tightened and inspect regularly.
- Tools not included unless specified in the parts list - keep all tools for future use.

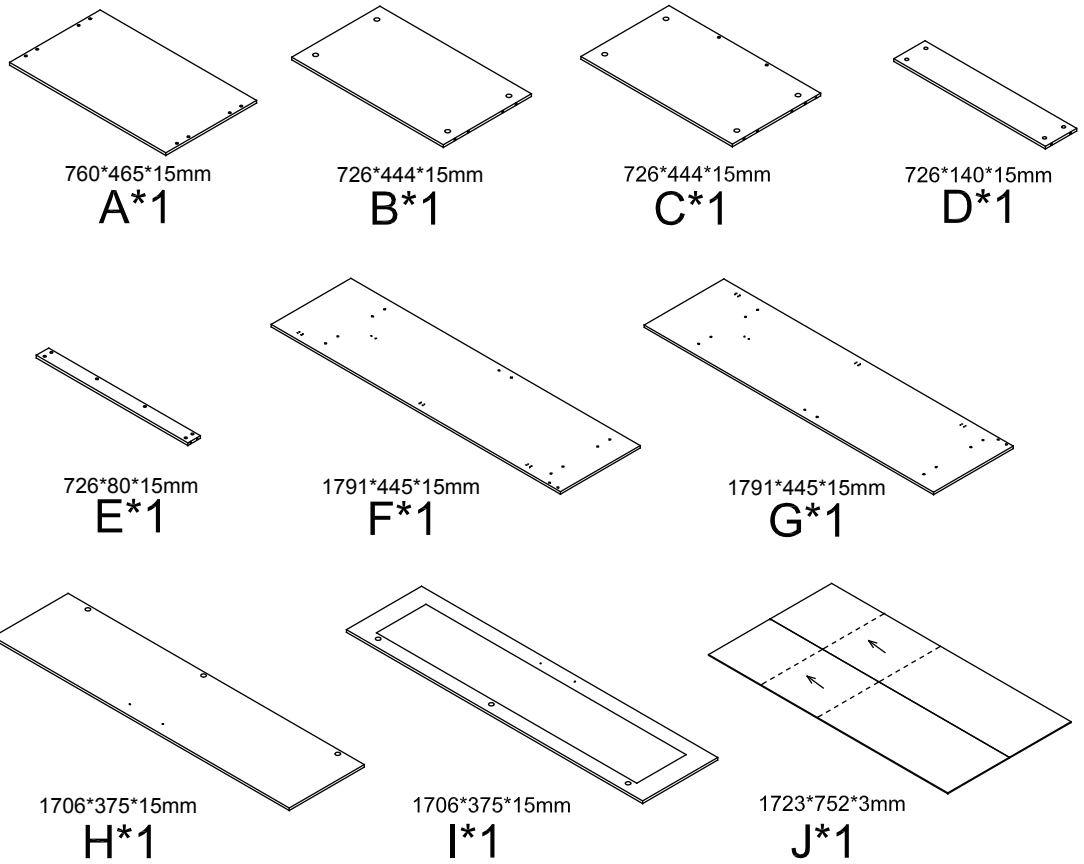
WARNINGS

- This product should only be used on a firm level floor - if necessary, level the base using a thin wedge.
- Keep small parts out of reach of children.
- Make sure the base remains in contact with the floor.
- Do not use power tools to construct this product as fittings may be easily damaged or over-tightened.
- Do not tighten screws until unit fully assembled or unless when told to do so in the guide.
- Do not over tighten screws or bolts.
- Do not use this product if parts are missing, damaged or worn.
- Do not sit or stand on the product.
- We recommend the use of the wall strap provided for safety reasons. N.B. Wall fixings are not included - please source suitable fixings for your wall type. If in doubt please consult a qualified tradesperson. Warning: Always ensure the area to be drilled is free from hidden electrical wires, water and gas pipes.

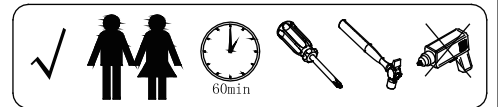
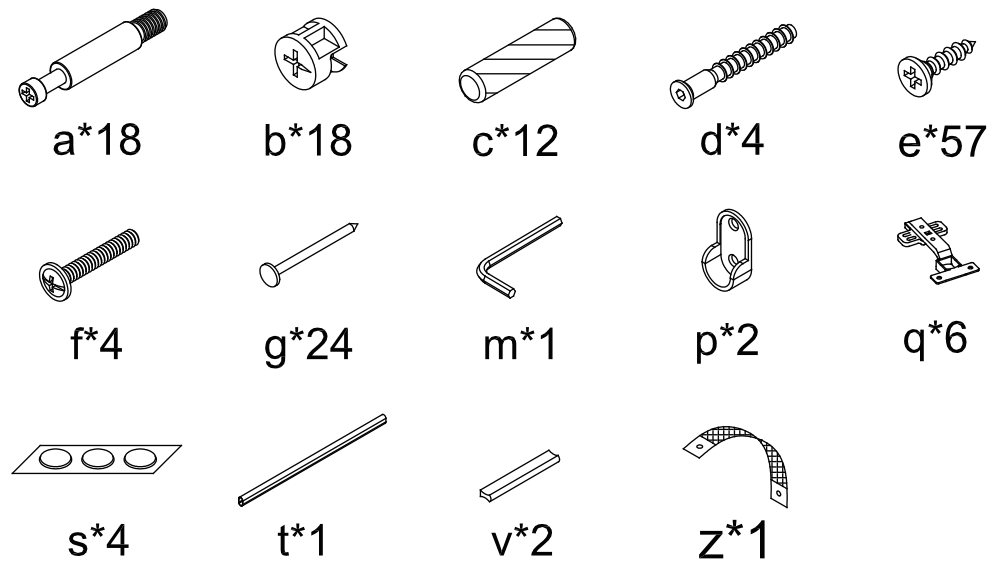
CARE INFORMATION

- Never use scourers, abrasives or chemical cleaners.
- To clean wipe with a dampened cloth with warm soapy water (not wet).
- Do not use solvent-based cleaners or detergents as they can bleach or damage the product.
- When cleaning mirrors, use a damp cloth with mild washing up liquid or soft soap; do not use washing powders or chemical cleaners any other substances containing abrasives since these substances can easily scratch the mirror.
- Do not use furniture polish on this product.

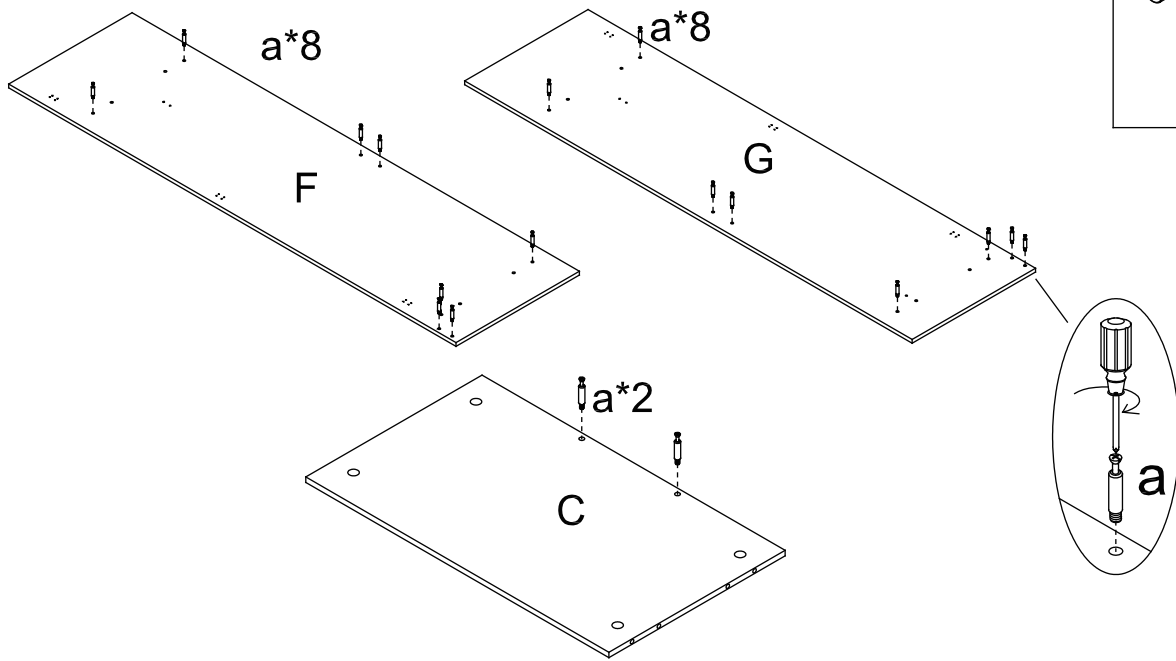
PARTS



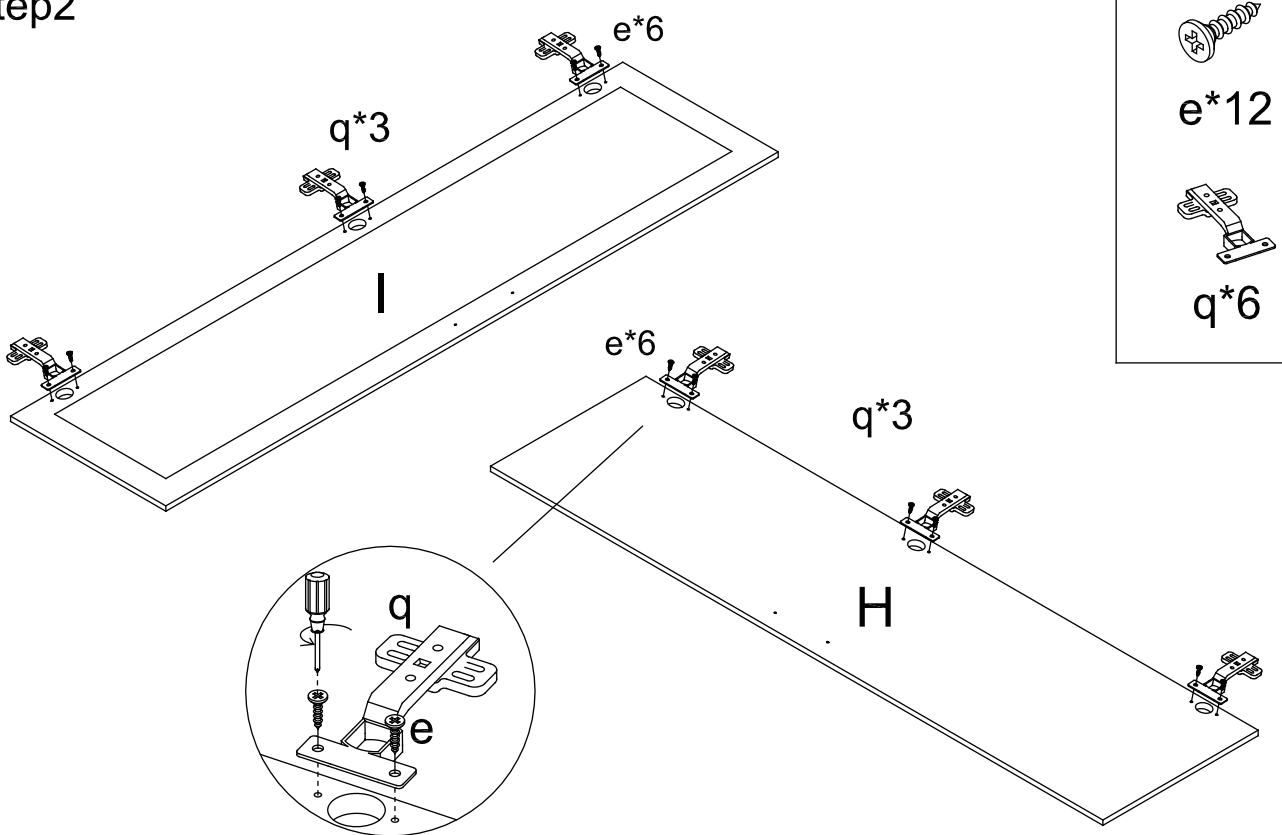
FIXINGS



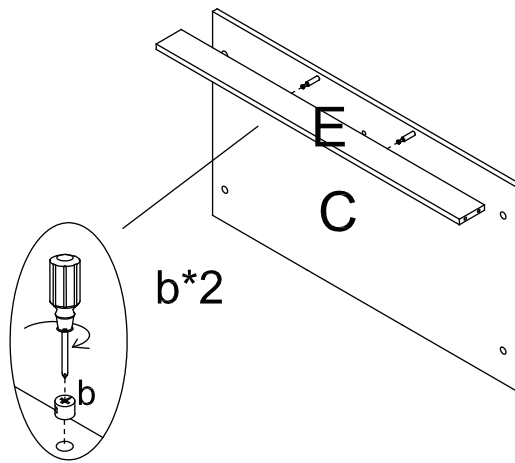
Step1



Step2

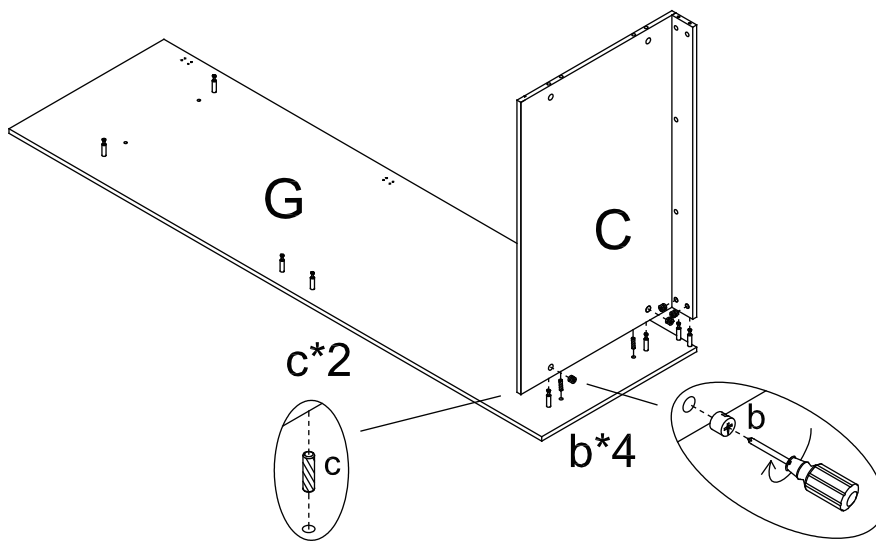


Step3

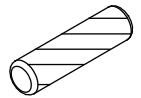


b*2

Step4

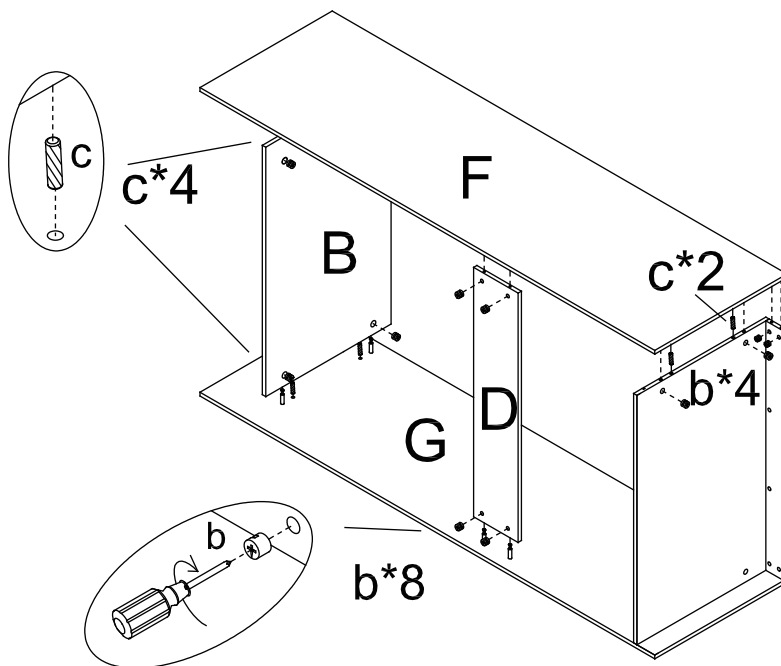


b*4

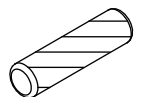


c*2

Step5

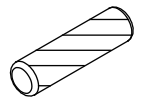
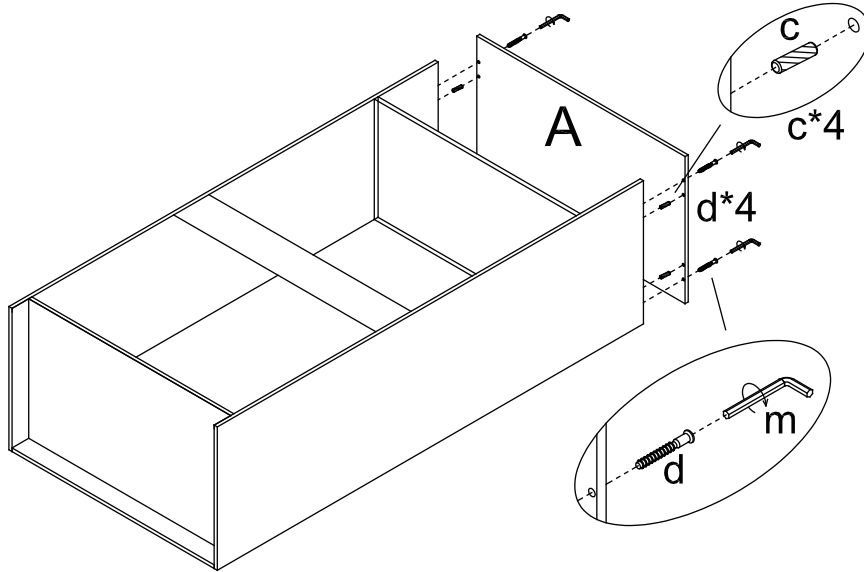


b*12

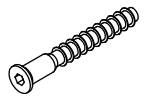


c*6

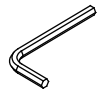
Step6



c*4

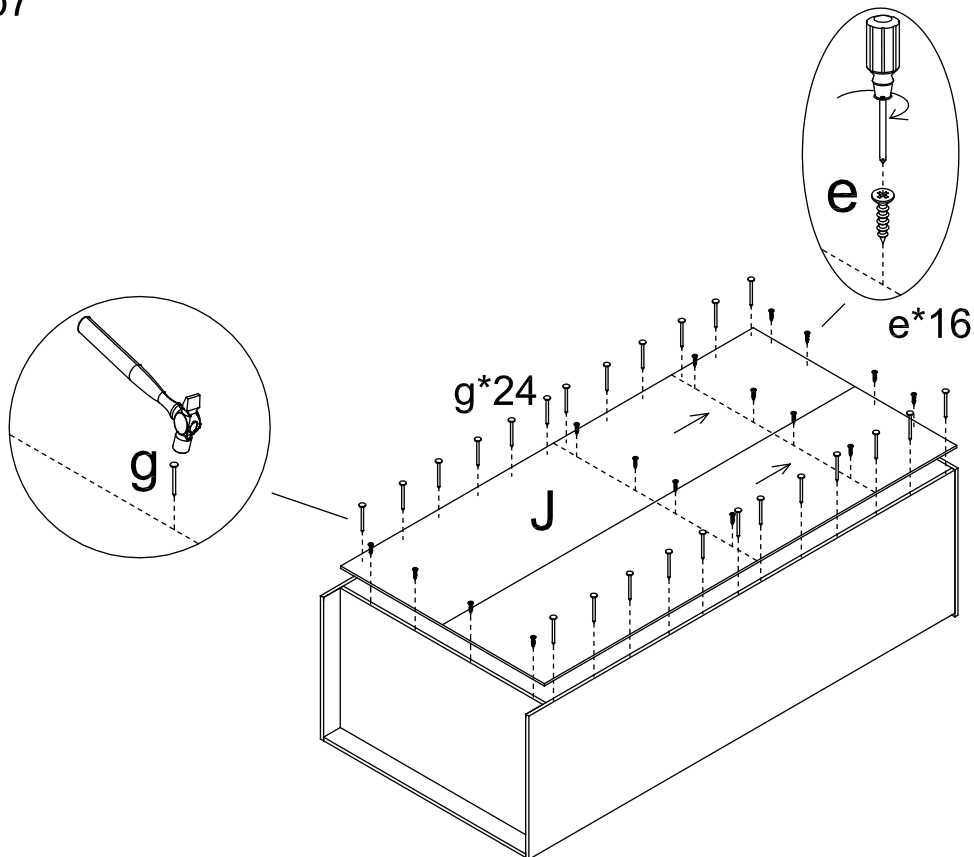


d*4

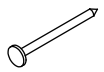


m*1

Step7

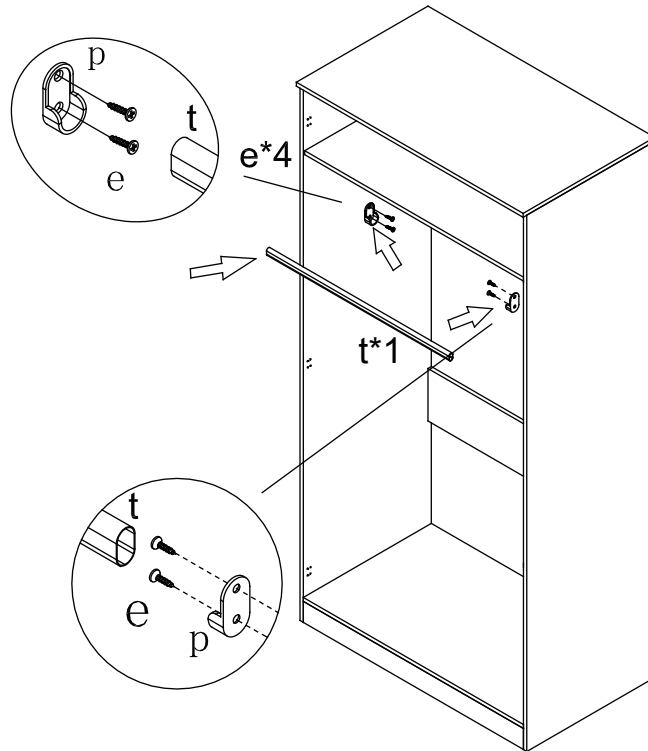


e*8



g*12

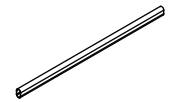
Step8



e*4

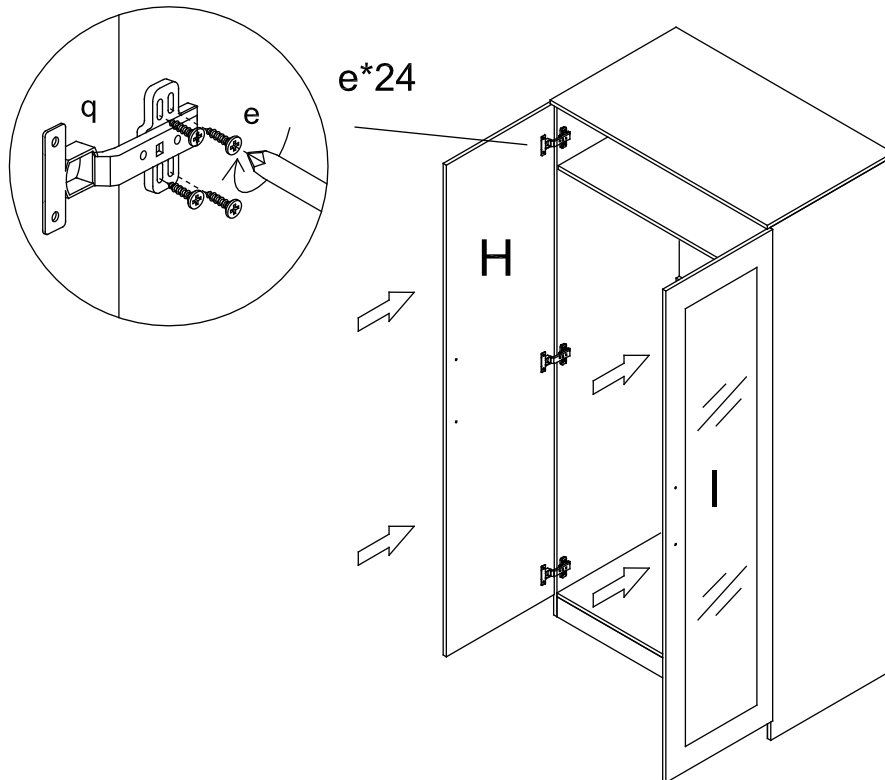


p*2



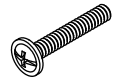
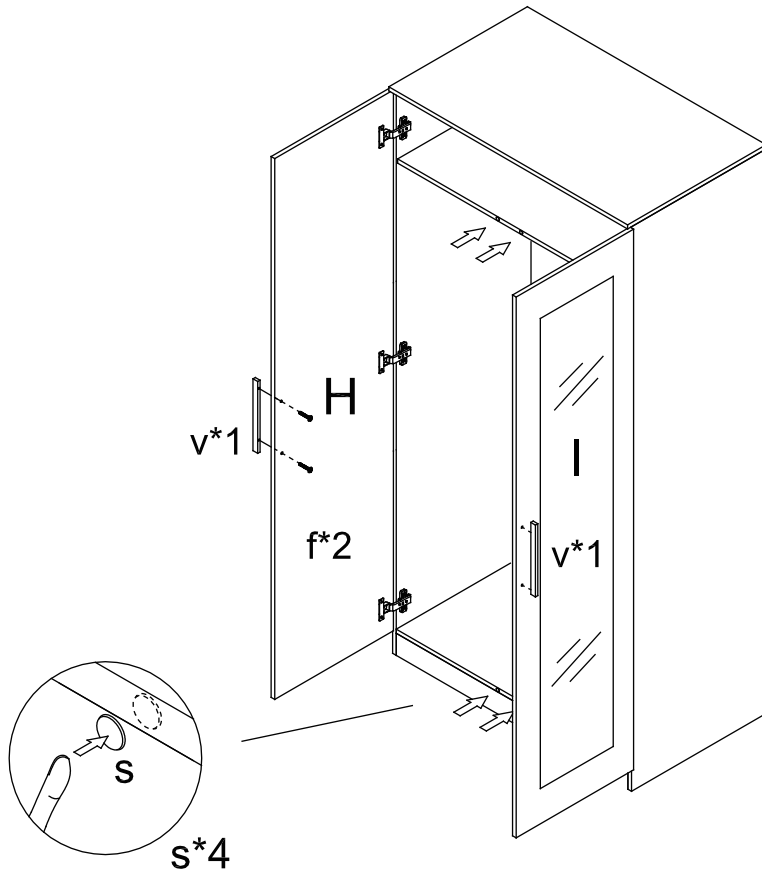
t*1

Step9

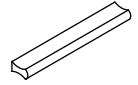


e*24

Step10



f*4



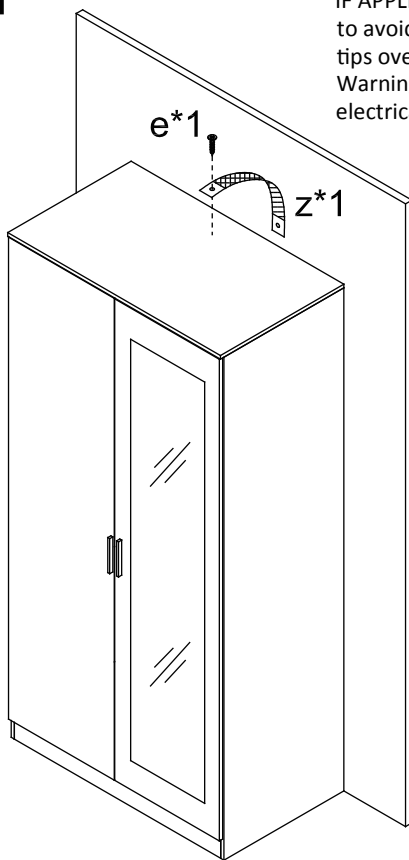
v*2



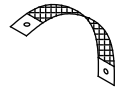
s*4

Step11

IF APPLICABLE: We recommend the use of the wall strap provided to avoid accidents and possible fatal injuries if the item falls or tips over. If in doubt please consult a qualified tradesperson. Warning: Always ensure the area to be drilled is free from hidden electrical wires, water and gas pipes.



e*1



z*1

